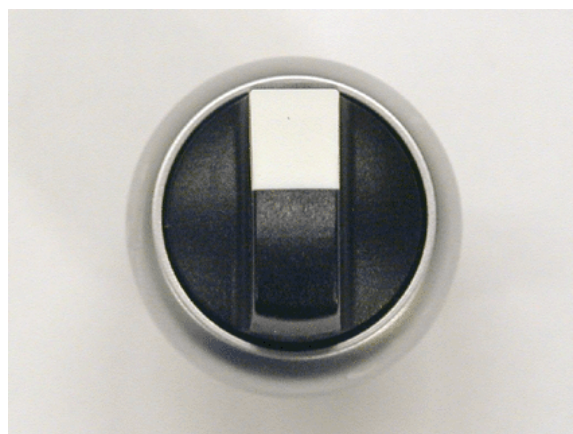


Type: **M22-WRK3**
 Article No.: **216872**
 Sales text **Sel.switch,3 pos.**



Engineering

Front ring gold-plated, [274150](#)

Ordering information

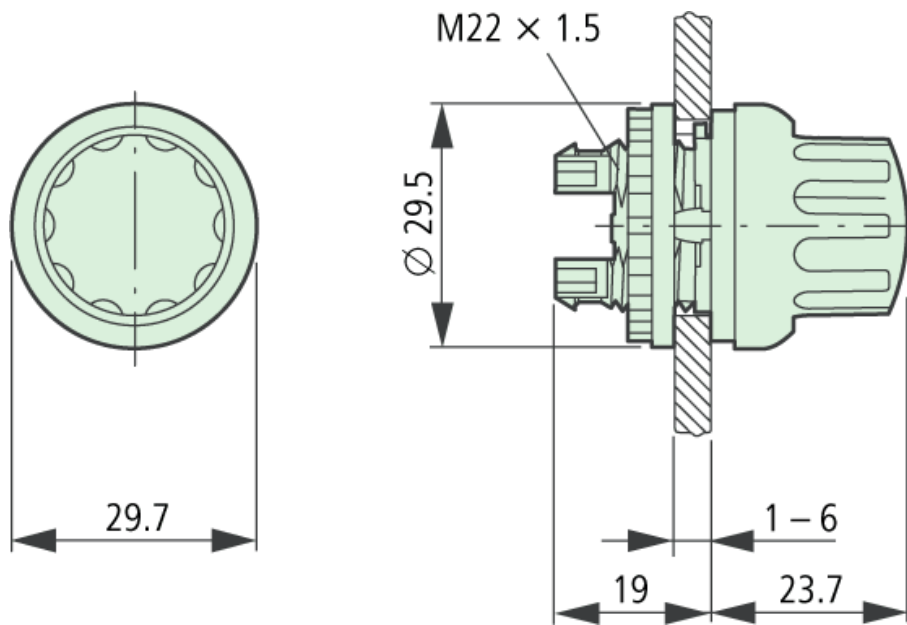
Function:			60°/60°
Design			With thumb-grip
Description			3 positions
Front ring			Front ring: titanium
Protection type			IP66

General

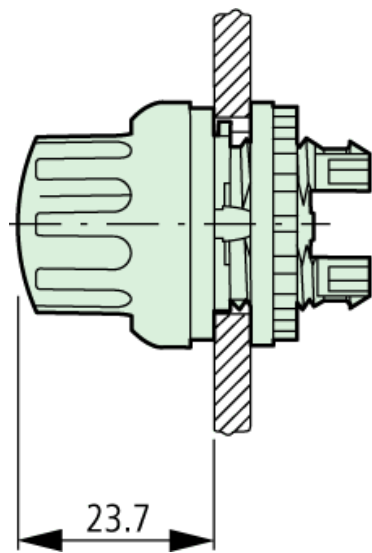
Standards			IEC/EN 60947 VDE 0660
Lifespan, mechanical	Operations	× 10 ⁶	> 0,1
Operating frequency	Operations/h		2000
Operating torque (screw terminals)		Nm	0,3
Climatic proofing			Damp heat, constant, to IEC 60068-2-78 Damp heat, cyclic, to IEC 60068-2-30
Ambient temperature			
Open		°C	-25...70
Mounting position			As required
		g	> 30

Mechanical shock resistance
according to IEC 60068-2-27 Shock
duration 11 ms, half-sinusoidal

Dimensions



Dimensions



Moeller GmbH, Hein-Moeller-Str. 7-11, D-53115 Bonn
E-Mail: catalog@moeller.net, Internet: www.moeller.net, <http://catalog.moeller.net>
HPL-C2007G V2.1 © 2007 by Moeller GmbH