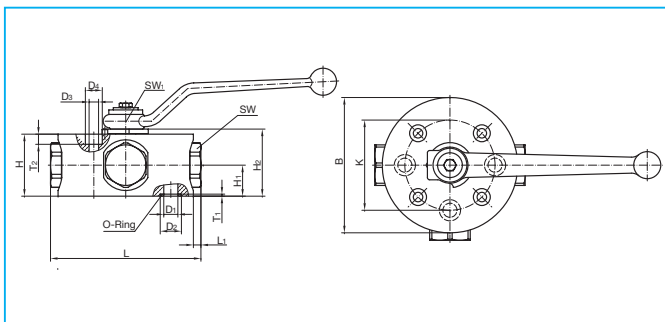
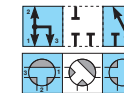
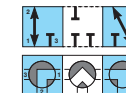


Multi-way ball valves with trunnion ball

3-way · steel · manifold mounting · DN 6 - DN 25



Handle and o-rings included in delivery
 For handles refer to "Attachments, accessories"
 For more porting patterns refer to "Standard- and special porting patterns".
 *) can be actuated up to 100 bar manually
 Actuators and custom orders on request
 All dimensions subject to change without notice
 Dimensions in mm
 Weight in kg
 Pressure in bar



Bore:	L	T
Cycling:	90°	90°
Body:	steel, black oxide	steel, black oxide
Trunnion ball:	steel, hard chrome plated	steel, hard chrome plated
Body seals:	NBR	NBR
Ball seals:	POM	POM
Shaft seals:	NBR	NBR

Connection	DN	L	L1	B	H	H1	H2	K	D1	D2	D3	D4	T1	T2
Body-flange with o-ring-seal	6	95	2,5	Ø 90	40,5	20,5	45,0	55	6,0	12,5	6,4	11	1,8	6,8
	10	108	4,0	Ø 100	50,0	25,0	54,5	65	8,0	15,0	6,4	11	1,8	6,8
	12	133	6,5	Ø 120	55,0	27,5	59,5	80	12,5	18,8	8,4	15	1,8	9,0
	20	190	5,0	Ø 180	75,0	40,0	79,5	115	19,0	30,0	17,0	26	3,0	22,0
	25	210	5,0	Ø 200	81,0	43,5	85,5	135	23,5	35,0	21,0	33	3,0	21,5
	32	300	5,0	Ø 290	100,0	50,0	104,5	200	32,0	40,0	25,0	40	3,0	26,5

DN	SW	SW1	Handle Code	Weight	For Cylinder-head screws DIN EN ISO 4762 (DIN 912)
6	24	12	7	1,73	M 6 - 10.9
10	30	14	8	2,70	M 6 - 12.9
12	36	14	8	4,58	M 8 - 12.9
20	50	19	10	12,96	M16 - 8.8
25	60	19	10	16,60	M20 - 8.8
32	70	19	10	41,50	M24 - 8.8

PN	Article-No.	PN	Article-No.
400	206 501	400	206 561
400	206 502	400	206 562
400	206 503	400	206 563
315	206 504	315	206 564
315	206 505	315	206 565
315*	206 506	315*	206 566

General tolerances
DIN ISO 2768
Surfaces
DIN EN ISO 4287

DN	D1	K	L	M	O-Ring
6	6,0	55	95	M 6	8,0 x 2,5
10	8,0	65	108	M 6	10,0 x 2,5
12	12,5	80	133	M 8	14,0 x 2,5
20	19,0	115	190	M16	23,5 x 3,5
25	23,5	135	210	M20	28,1 x 3,5
32	32,0	200	300	M24	33,5 x 3,5

Drilling pattern DN 6 - DN 32

