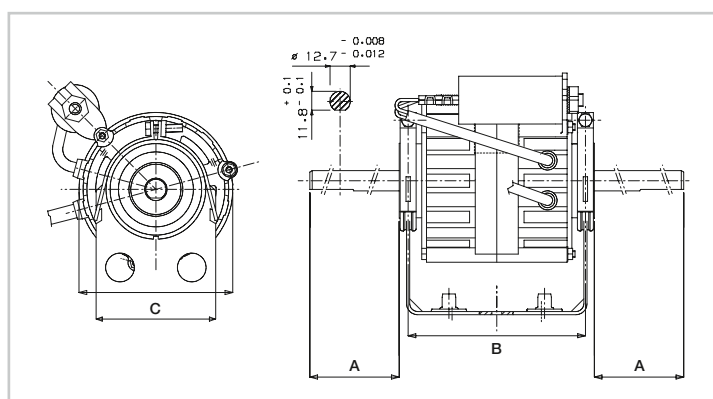
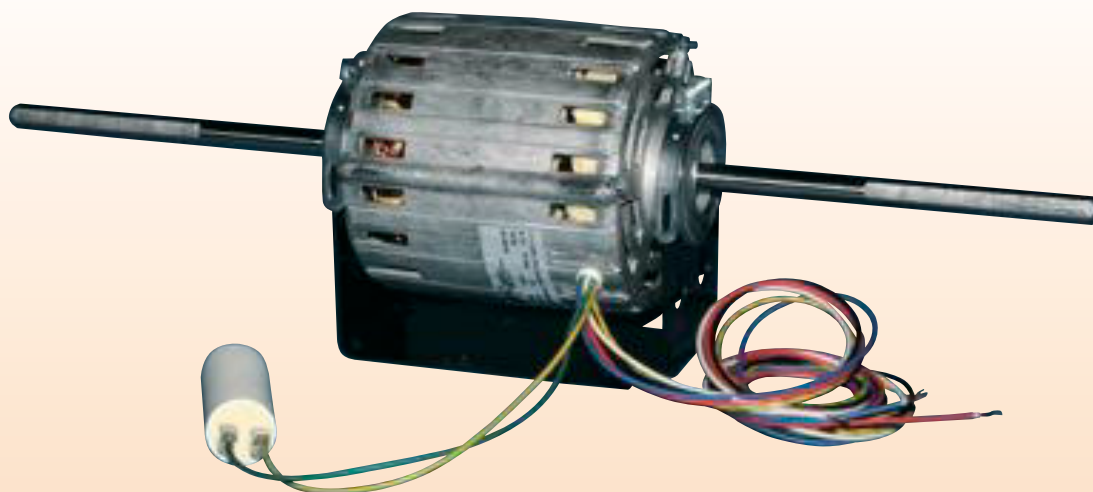


MOTORI MONOFASE PER VENTILCONVETTORI

SINGLE-PHASE MOTORS FOR FAN COILS



Motori 4 POLI - 3 velocita' / 4 POLES - 3 Speed motors

Articolo Art.	Modello Model	N° Alberi No. Shafts	Watt Resi Watt given	Giri RPM	Esecuzione Model	A	B	C	Rotazione Rotation
TRM.201	CO.143.00	1	10	1400	Chiuso / Enclosed	164	111.2	96.4	SX
TRM.173	110031.03	2	13	1400	Chiuso / Enclosed	178.7	111.2	129	-
TRM.174	CO.144.00	2	20	1400	Chiuso / Enclosed	199	111.2	96.4	-
TRM.301	110097.06	1	40	1400	Chiuso / Enclosed	178.7	111.2	129	SX
TRM.202	110097.02	2	40	1400	Chiuso / Enclosed	199	111.2	129	-
TRM.175	CO.142.00	2	42	1400	Chiuso / Enclosed	199	111.2	96.4	-
TRM.176	CO.100.01	1	60	1400	Chiuso / Enclosed	135.2	111.2	95	DX
TRM.401	110049.21	1	73	1400	Chiuso / Enclosed	200.4	111.2	129	DX
TRM.302	110049.12	2	73	1400	Chiuso / Enclosed	199	111.2	129	-
TRM.177	CO.101.01	1	75	1400	Chiuso / Enclosed	135.2	111.2	95	DX
TRM.178	110483.01	1	88	1400	Chiuso / Enclosed	173.8	111.2	129	DX
TRM.179	110480.01	2	120	1400	Chiuso / Enclosed	223.8	111.2	129	-
TRM.402.4	110153.09	2	147	1400	Chiuso / Enclosed	189.3	130.2	129	-
TRM.180	110481.01	2	170	1400	Chiuso / Enclosed	223.8	111.2	129	-
TRM.502.4	110218.13	2	184	1400	Aperto / Open	191	130	126.7	-