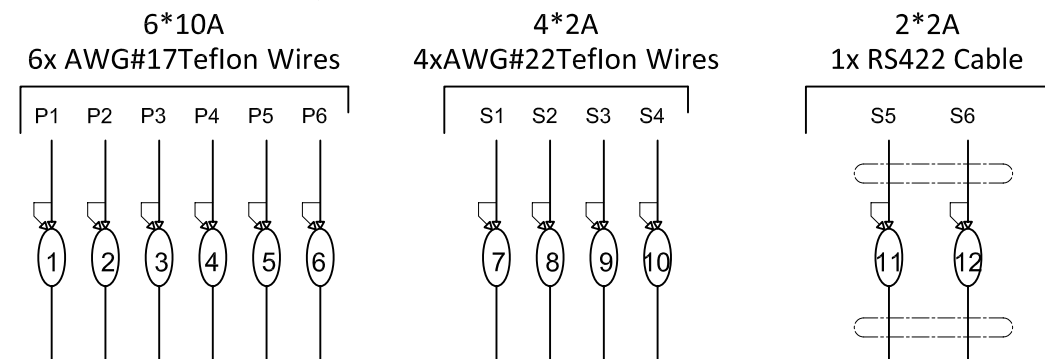
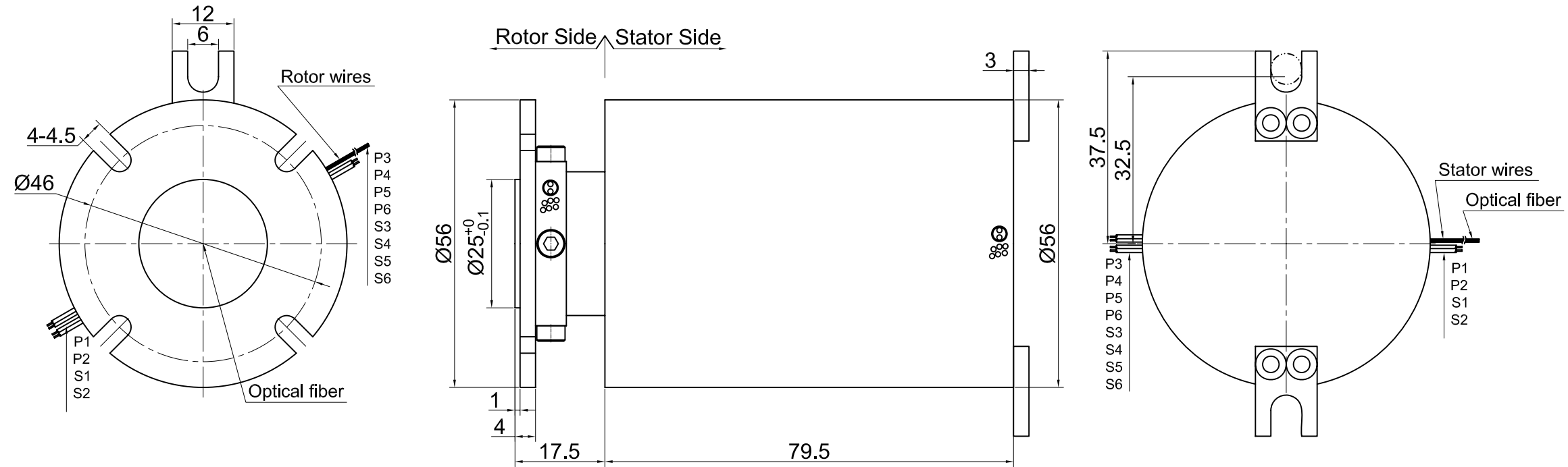


THIS DOCUMENT IS THE PROPERTY OF MOFLON TECHNOLOGY (SHENZHEN) LTD. (HEREAFTER "MOFLON"). IT IS LENT AND IS TO BE RETURNED UPON REQUEST. THE CONTENTS OF THIS DOCUMENT ARE CONFIDENTIAL AND CONSTITUTE TRADE SECRETS PROPRIETARY TO MOFLON. THIS DOCUMENT NOR ITS CONTENTS DOCUMENT NOR ITS CONTENTS SHALL BE DISCLOSED TO ANY UNAUTHORIZED PERSON COPIED OR PUBLISHED WITHOUT MOFLON PRIOR WRITTEN CONSENT.  
COPY RIGHT @ 2013 MOFLON TECHNOLOGY

MARK	ECN NO.	Modify	Approve	DATE



### Electronic Specification

1	Rings	12	2	Current	Signal module: 6ringsx2A Power module: 6ringsx10A
3	Voltage	380VAC/VDC			
4	Insulation Resistance	800MΩ@1000VDC			
5	Electrical noise	Max.10mΩ;			
6	Dielectric strength	1000VAC@50Hz;			

### Mecchanical Specification

8	Speed	0~250RPM;	9	Torque	Max.0.2 N.M.;
10	Life	80,000,000 Revolutions, strongly depends on your working conditions			

### Environmental adaptability

11	Working temperature	-60℃~+80℃	12	Storage temperature	-60℃~+85℃
13	humidity	85±3%(30℃+5℃)			
15	Rush	40g, 11ms, Half sine wave, Vertical direction 3 times, Level 3times			
16	IP Class	IP51			

### Materral/Attachment

17	Contact Material	Gold-Gold	18	Housing material	AL Alloy
19	Lead wire	Rotor side: 300mm 6xAWG#17Teflon Wires +4xAWG#22Teflon Wires+1x RS422 Cable+1xOptical fiber; Stator side: 300mm 6xAWG#16Teflon Wires +4xAWG#22Teflon Wires+1x RS422 Cable+1xOptical fiber.			

### Optical fiber:

1. SMF optical fiber	2. Wavelength: 1270nm-1330nm
3. Insertion loss: <2dB	4. Return loss: >54dB
5. Max Speed: 250rpm	6. Work temperature: -40℃ + 80℃
7. Connector Type: FC	8. Fiber length: 1000mm

UNLESS OTHERWISE SPECIFIED		TOLERANCES (EXCEPT AS NOTED)		6x10A+14xSignal/2A+1 channels single-mode fiber optic	
1. ALL DIMENSIONS ARE IN MM HES BREAK SHARP EDGES & DEBURR		DECIMAL X±.1 XX±.03 XXX±.005		MODEL MFO108-P0610-S06(N098)	
2. MATERIAL & FINISH TO BE AS NOTED OR SUBSTITUTED WITH AN APPROVED AND TESTED EQUIVALENT		FRACTIONAL ±1/16		MOFLON 默孚龙	
FILLETS R.015 FINISH 125		ANGULAR ±1°		SIZE A	
THIRD ANGLE PROJECTION		DSGN Gu Fuhua		RE V. A / 0	
		DATE 2017-03-10		SCALE 1:1	
		UNIT mm			