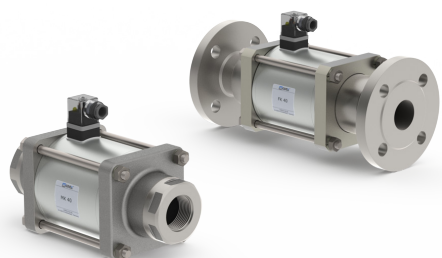
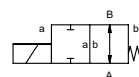
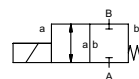


coaxial valve

type **MK 40**
FK 40



2/2 way valve **direct acting**
pressure range PN 0-64 bar (NO: 0-40 bar)
orifice DN 40 mm
connection thread/flange
function valve normally closed symbol **NC**
 valve normally open symbol **NO**



⚠ Above stated body materials refer to the valve port connections that get in contact with the media only!

design pressure balanced, with spring return
body materials ① brass ② steel, galvanized
 ③ brass, nickel plated ⑤ without non-ferr. metals
 ④ steel, nickel plated ⑥ stainless steel
valve seat synthetic resin on metal
seal materials NBR PTFE, FPM, CR, EPDM

details needed

- orifice
- port
- function NC/NO
- operating pressure
- flow rate
- media
- media temperature
- ambient temperature
- nominal voltage

	general specifications	options
ports	MK threads G 1 1/2 - G 2 FK flanges PN 16 / 40 / 100	special threads special flanges
function	NC	NO
pressure range	bar 0-16 / 0-40 / 0-64	0-16 / 0-40
Kv value	m³/h 18,4	
vacuum	leak rate	< 10 ⁻⁶ mbar·l·s ⁻¹
pressure-vacuum	P ₁ ⇄ P ₂	upon request
back pressure	P ₂ > P ₁	available (max. 16 bar)
media	gaseous - liquid - highly viscous - gelatinous - contaminated	
abrasive media		upon request
damping	opening	
	closing	available
flow direction	A ⇄ B as marked	bi-directional (max. 16 bar)
switching cycles	1/min 90	
switching time	ms opening 520 closing 150	
media temperature	°C DC: -20 to +100 AC: -20 to +100	-40 to +160 -40 to +160
ambient temperature	°C DC: -20 to +80 AC: -20 to +80	
limit switches		inductive / mech. (depend. on temperature)
manual override		available
approvals		LR/GL/WAZ
mounting		mounting brackets
weight	kg MK 14,0 FK 18,0	
additional equipment		upon request

⚠ The valves' technical design is based on media and application requirements. This can lead to deviations from the general specifications shown on the data sheet with regards to the design, sealing materials and characteristics.

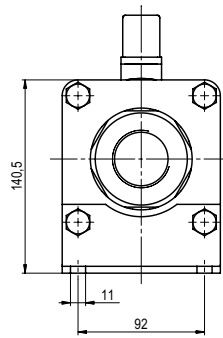
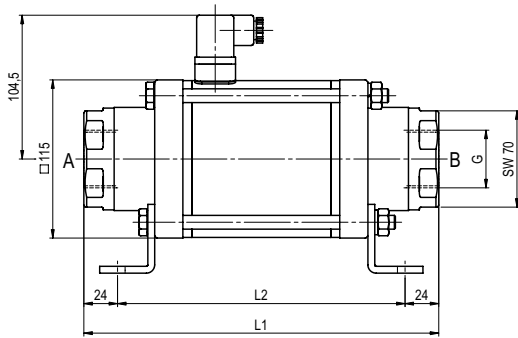
⚠ If order or application specifications are incomplete or imprecise there exists a risk of an incorrect technical design of the valve for the required application. As a consequence, the physical and / or chemical properties of the materials or seals used, may not be suitable for the intended application.

	electrical specifications	options
nominal voltage	U _n DC 24 V U _n AC 230 V 40-60 Hz	special voltage upon request special voltage upon request
actuation	DC direct-current magnet AC direct-current magnet with integrated rectifier	above 100 °C with separate rectifier
insulating rating	H 180°C	
protection	IP65	
energized duty rating	ED 100%	
connection	plug acc. DIN EN 175301-803 form A, 4 positions x90° / wire diameter 6-8 mm	terminal box M16x1,5
optional additional equipment	illuminated plug with varistor	
current consumption	N-coil DC 24 V 2,07 A AC 230 V 40-60 Hz 0,28 A	
	H-coil	DC 24 V 3,27 A AC 230 V 40-60 Hz 0,44 A
explosion proof		
limit switches	inductive (I) inductive (B) mechanical	normally open-PNP normally open-PNP single pole double throw-SPDT

■ specifications not highlighted are standard
 ■ specifications highlighted in grey are optional

type MK 40

function: **NC**
closed when not energized



constructive length	L1	L2	L3
standard	258	210	324
with 1/2 inductive limit switches	299	251	365
with manual emergency (Hd)/ Hd and 1/2 ind. limit switches	299	251	365
with mechanical limit switches	299	251	365

flanges PN	DIN	ØD	Øk	Ød
16	EN 1092-1	150	110	18
40	EN 1092-1	150	110	18
100	EN 1092-1	170	125	22

type FK 40

function: **NO**
open when not energized

