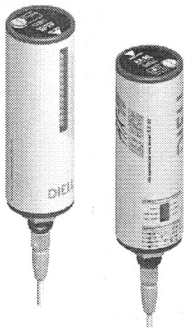




SERIE

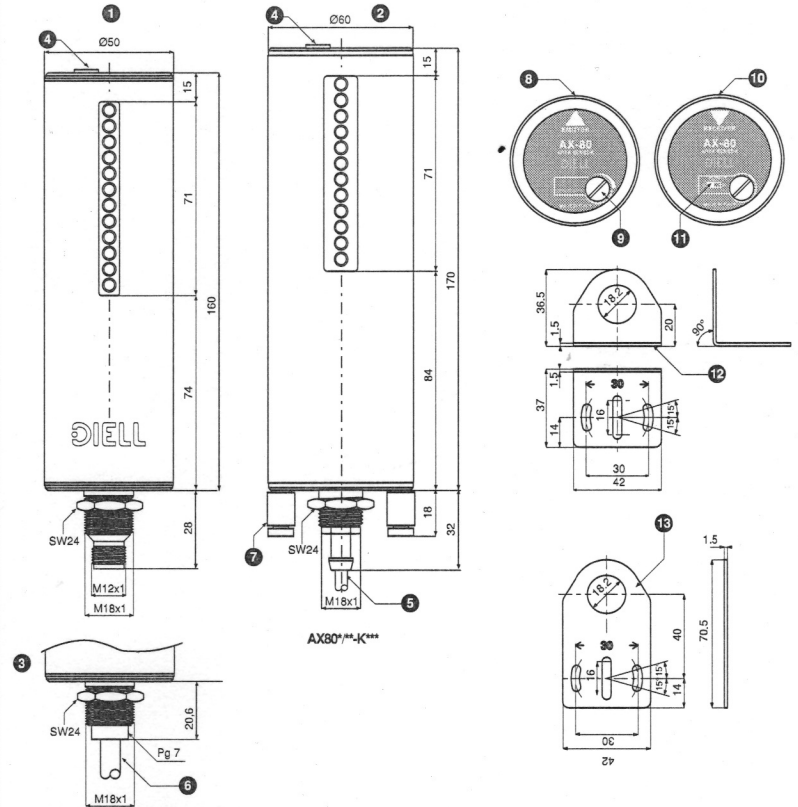
AX80



**High resolution area sensors  
12-24DC**

- ◆ Fine detection by 70mm area height
- ◆ Sensing range up to 2m
- ◆ Microcontrolled unit
- ◆ Analogic outputs (4-20mA, 0-10V)
- ◆ Exclusive housing (patented)
- ◆ Very quick fixing by M18x1 standard connection
- ◆ M12 standard connector exit
- ◆ Cable exit for models with analogic outputs
- ◆ Sensitivity adjustment available
- ◆ 3 indicator LEDs on both units
- ◆ Metal housing available for harsh environment applications
- ◆ Timing function available
- ◆ IP65 protection degree
- ◆ Complete protection against electrical damage

**DIMENSIONAL DRAWING**



**Key**

- |   |   |
|---|---|
| <p>1 M12 plug-in exit (*)</p> <p>2 Cable exit with tang and metal housing</p> <p>3 Cable exit for receiver with analogic outputs</p> <p>4 Protection screw.<br/>Remove the screw to reach at the adjustment</p> <p>5 Cable 4x0,34mm<sup>2</sup>, Ø5mm, PVC, 5m</p> <p>6 Cable 4x0,34mm<sup>2</sup>+ 2x0,22mm<sup>2</sup> shielded, Ø7,5mm, PVC, 5m</p> <p>7 Pipe connection for air inlet Ø4mm (external)</p> | <p>8 Emitter with sensitivity adjustment AX80S/00-****</p> <p>9 Slot for 1 turn trimmer</p> <p>10 Receiver with NO/NC selectable output</p> <p>11 Dip-switch slot for NO/NC selection</p> <p>12 ST 18-C right angle brackets, included</p> <p>13 ST 18-A axial brackets, included</p> |
|---|---|
- (\*) Connectors CD12L/08-050A0 included



**ORDERING SYSTEM**



- |   |            |
|---|------------|
| serie                                   |            |
| high resolution area sensor             | <b>AX8</b> |
| model                                   |            |
| emitter                                 | <b>E</b>   |
| receiver for objects detection          | <b>R</b>   |
| emitter with sensitivity adjustment     | <b>S</b>   |
| output state                            |            |
| NO/NC output, Analogic outputs, emitter | <b>0</b>   |
| logic                                   |            |
| emitter                                 | <b>0</b>   |
| NPN output                              | <b>N</b>   |
| PNP output                              | <b>P</b>   |
| NPN output+analogic (with AX80S only)   | <b>A</b>   |

**AX80<sup>S</sup>/00-EA00**

- |  |           |  |
|--|-----------|--|
|  |           | timing function receiver               |
|  | <b>00</b> | none                                   |
|  | <b>10</b> | (1) 100ms delay                        |
|  |           | Øobject / distance / response time     |
|  | <b>A</b>  | (2) Ø4-8mm / 2m / 10ms                 |
|  | <b>B</b>  | (2) Ø4-8mm / 1,5m / 10ms               |
|  | <b>C</b>  | (2) Ø4-8mm / 1m / 3ms                  |
|  | <b>D</b>  | (2) Ø3-8mm / 0,6m / 2ms                |
|  | <b>E</b>  | (2) Ø2-8mm / 0,25m / 2ms               |
|  |           | cable exit                             |
|  | <b>E</b>  | M12 standard plug-in exit              |
|  | <b>K</b>  | cable exit with tang and metal housing |
|  | <b>A</b>  | cable exit for analogic version        |

Note: Models with holes detection function are available

(1) models with different delays are available on request  
(2) Ø minimum detectable object for models with analogic output is 6-8mm