



Model Number

RC15-14-N0

Features

- 15 mm inside diameter

Technical Data

General specifications

Switching function	Normally closed (NC)
Output type	NAMUR
Inside diameter	15 mm
Measuring cylinder	9S20K
Diameter	3 mm
Length	4 mm
Output type	2-wire

Nominal ratings

Nominal voltage	U_o	8.2 V (R_i approx. 1 k Ω)
Operating voltage	U_B	5 ... 25 V
Switching frequency	f	0 ... 1500 Hz
Current consumption		
Measuring plate not detected		≥ 3 mA
Measuring plate detected		≤ 1 mA

Functional safety related parameters

MTTF _d	5990 a
Mission Time (T_M)	20 a
Diagnostic Coverage (DC)	0 %

Ambient conditions

Ambient temperature	-20 ... 65 °C (-4 ... 149 °F)
---------------------	-------------------------------

Mechanical specifications

Connection type	cable PVC , 2 m
Core cross-section	0.14 mm ²
Housing material	PBT
Degree of protection	IP67
Cable	
Bending radius	> 10 x cable diameter

General information

Use in the hazardous area	see instruction manuals
Category	2G

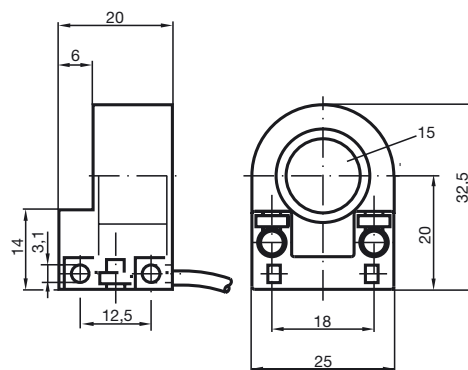
Compliance with standards and directives

Standard conformity	
NAMUR	EN 60947-5-6:2000 IEC 60947-5-6:1999
Electromagnetic compatibility	NE 21:2007
Standards	EN 60947-5-2:2007 IEC 60947-5-2:2007

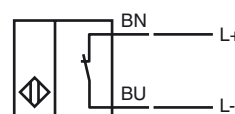
Approvals and certificates

FM approval	
Control drawing	116-0165F
UL approval	cULus Listed, General Purpose
CSA approval	cCSAus Listed, General Purpose

Dimensions



Electrical Connection





Equipment protection level Gb

CE marking	CE 0102	
Effective internal inductivity	C_i	$\leq 150 \text{ nF}$; a cable length of 10 m is considered.
Effective internal inductance	L_i	$\leq 100 \text{ }\mu\text{H}$; a cable length of 10 m is considered.
Maximum permissible ambient temperature T_{amb}	Details of the correlation between the type of circuit connected, the maximum permissible ambient temperature, the temperature class, and the effective internal reactance values can be found on the EU-type examination certificate.	

Release date: 2017-07-27 13:53 Date of issue: 2017-07-27 095910_eng.xml