

TECNA®



Advanced Resistance Welding Systems

-  KIT DI SALDATURA A MEDIA FREQUENZA E TRASFORMATORE
-  MEDIUM FREQUENCY WELDING KIT AND TRANSFORMER
-  KIT DE SOUDAGE ET TRANSFORMATEUR A MOYENNE FREQUENCE
-  MITTELFREQUENZ-SCHWEISSKIT UND TRANSFORMATOR
-  KIT DE SOLDADURA DE MEDIA FRECUENCIA Y TRANSFORMADOR



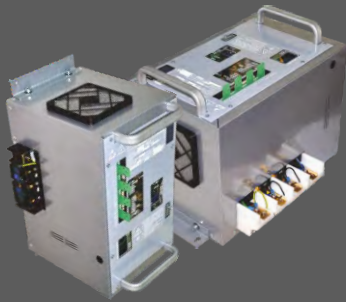
The most advanced resistance welding machines

www.tecna.net

UNITA' DI CONTROLLO A MEDIA FREQUENZA
MEDIUM FREQUENCY CONTROL UNIT

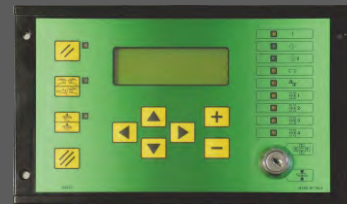


INVERTERS



1518RW | 1519RW | 1520RW | 1521RW | 1522RW
1523RW | 1524RW

TE700
UNITA'
CONTROLLO
CONTROL UNIT



50276

TRASDUTTORE
FLESSIBILE
FLEXIBLE
TRANSDUCER



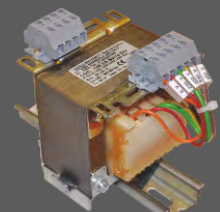
38938

FILTRI
FILTERS



22030 | 21779 | 22018 | 22068

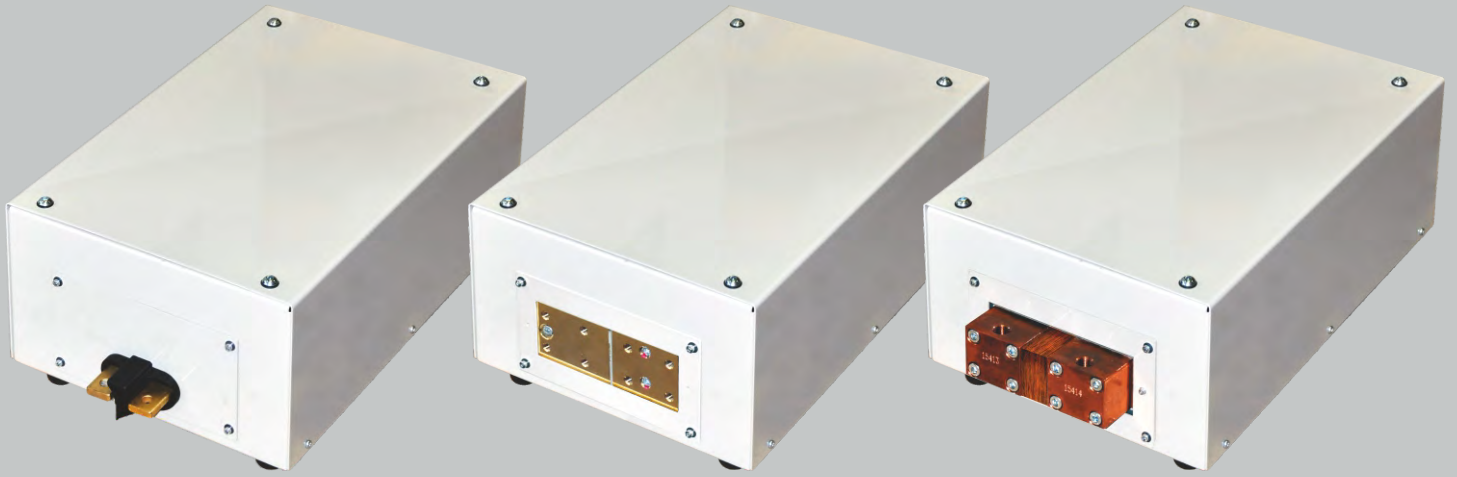
TR342
TRASFORMATORE
TRANSFORMER



24419

| Inverter Type [Art./Item] | Primary Current [A] |
|------------------------------|---------------------|
| 1591A | 150 |
| 1591B | 150 |
| 1592A | 250 |
| 1593W | 450 |
| 1594W | 900 |
| 1596NW | 1500 |

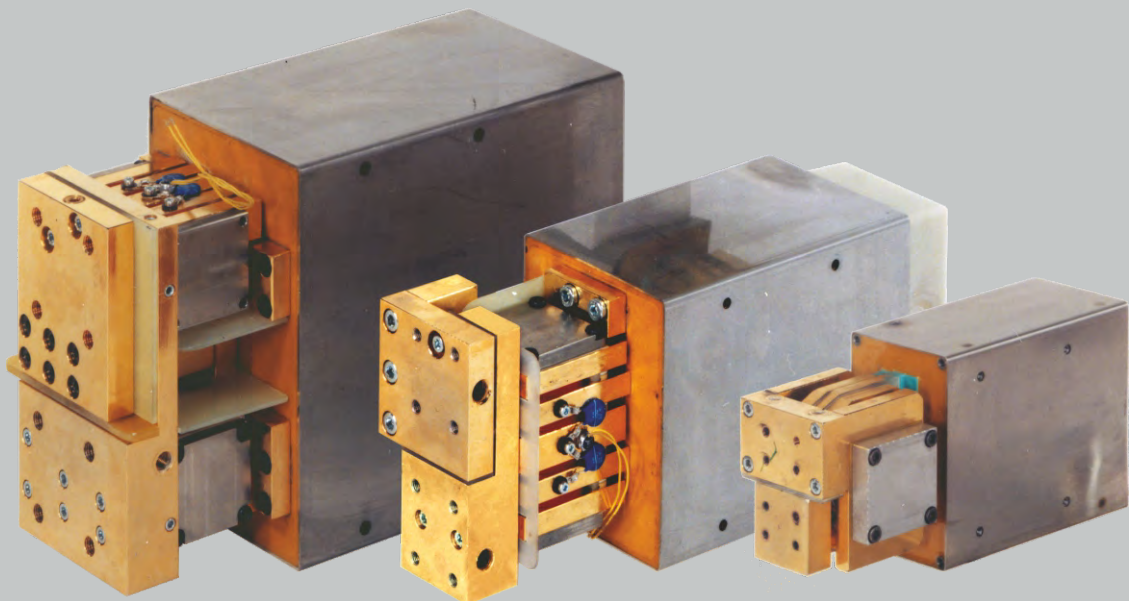
| INVERTERS | | FILTRES | | Transformer Type [Art./Item] | Control Unit Type [Art./Item] | Flexible Trasducer Type [Art./Item] |
|------------------------------|------------------------|----------------------------|-------------|------------------------------------|-------------------------------------|--|
| Inverter Type [Art./Item] | Primary Current [A] | Filter Type [Art./Item] | Current [A] | | | |
| 1518RW | 300 | 22030 | 50 | 24419 | 50276 | 38938 |
| 1519RW | 500 | 21779 | 100 | 24419 | 50276 | 38938 |
| 1520RW | 700 | 21779 | 100 | 24419 | 50276 | 38938 |
| 1521RW | 1000 | 21779 | 100 | 24419 | 50276 | 38938 |
| 1522RW | 1500 | 22018 | 200 | 24419 | 50276 | 38938 |
| 1523RW | 2000 | 22068 | 280 | 24419 | 50276 | 38938 |
| | | 22069 | 360 | | | |
| 1524RW | 2800 | 22068 | 280 | 24419 | 50276 | 45681 |
| | | 22069 | 360 | | | |



1587

1584 | 1585

1588 | 1589



40443 | 40365 | 40138 | 40139 | 37610 | 34017 | 40314 | 40266 | 40291

TRANSFORMERS

| Transformer Type [Art./Item] | Power at 20% [kVA] | Power at 50% [kVA] | Secondary voltage [V] | Maximum weld current I_{2cc} [kA] | Permanent out put current I_{2p} [kA] |
|---------------------------------|-----------------------|-----------------------|--------------------------|---|---|
| 1587 | 40 | 25 | 14,5 | 9 | 4,3 |
| 1584 | 88 | 56 | 8 | 25 | 4,4 |
| 1585 | 142 | 90 | 9,4 | 32 | 5,4 |
| 1588 | 190 | 120 | 17,7 | 19 | 6,6 |
| 1589 | 205 | 130 | 13 | 32 | 6,6 |

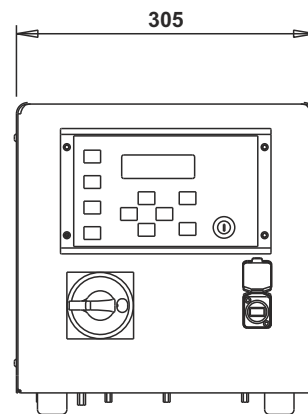
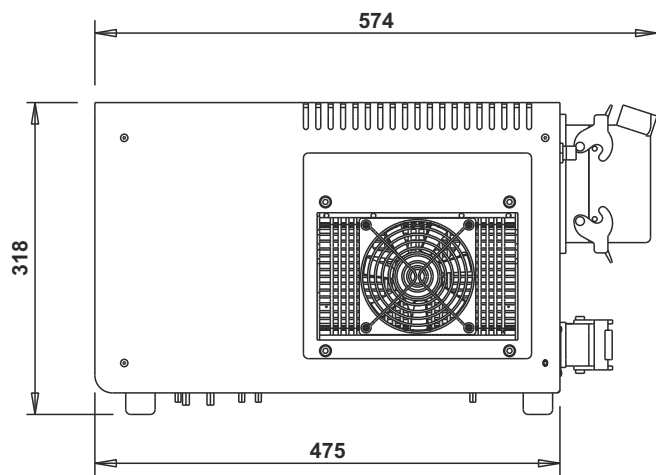
TRANSFORMERS

| Transformer Type [Art./Item] | Power at 20% [kVA] | Power at 50% [kVA] | Secondary voltage [V] | Maximum weld current I_{2cc} [kA] | Permanent out put current I_{2p} [kA] |
|---------------------------------|-----------------------|-----------------------|--------------------------|---|---|
| 40443 | 40 | 25 | 14,2 | 9 | 4,3 |
| 40365 | 50 | 32 | 4,6 | 19 | 4,4 |
| 43737 | 80 | 51 | 6,1 | 19 | 5,4 |
| 40138 | 88 | 56 | 8,4 | 25 | 4,5 |
| 40139 | 142 | 90 | 9,9 | 32 | 6,1 |
| 37610 | 250 | 160 | 12,3 | 40 | 8,8 |
| 40314 | 316 | 200 | 10,4 | 60 | 15,3 |
| 40315 | 332 | 210 | 12 | 60 | 15,3 |
| 40266 | 380 | 240 | 10,9 | 75 | 15,9 |
| 40291 | 500 | 315 | 12,7 | 75 | 16,7 |

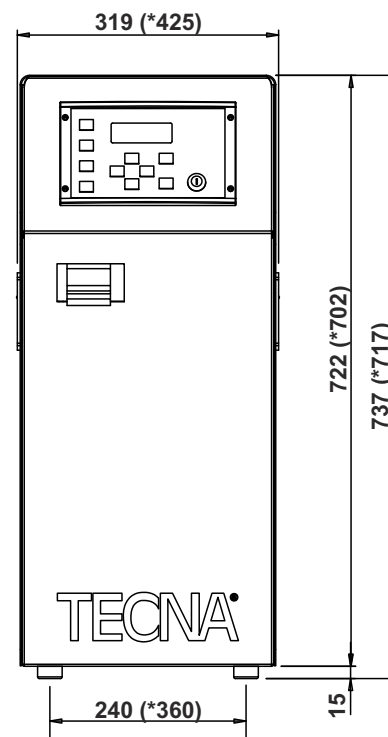
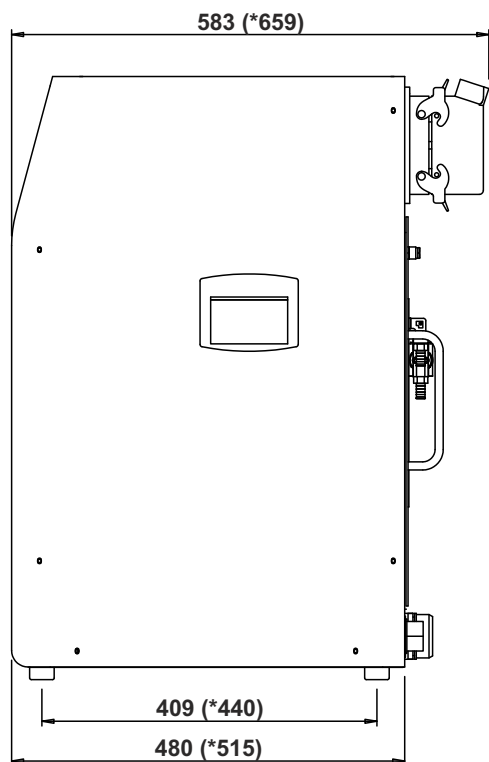
ACCESSORI UNITA' DI CONTROLLO A MEDIA FREQUENZA
 MEDIUM FREQUENCY CONTROL UNIT ACCESSORIES
 ACCESSOIRES UNITÉ DE CONTRÔLE À MOYEN FRÉQUENCE
 ZUBEHÖRE FÜR MITTELFREQUENZ-STEUERUNG
 ACCESORIOS UNIDAD DE CONTROL DE MEDIA FRECUENCIA

| ARTICOLO ITEM ARTICLES ARTIKEL ARTICOLO | | | TE700 | TE751 | 15XX | |
|--|-------|---|-------|-------|------|---|
|  | 72288 | Kit sensore di posizione | ○ | - | ○ | |
| | | Position sensor kit | | | | |
| | | Kit senseur de position | | | | |
| | | Kit Positions-Sensor | | | | |
| | | Kit sensor de posición | | | | |
|  | 50214 | Scheda di interfaccia seriale RS 232 9 poli femmina | ○ | ○ | - | |
| | | 9-pin female RS 232 serial interface board | | | | |
| | | Sortie sérielle RS 232 9 pôles femelle | | | | |
| | | Serieller Schmittstelle RS 232 9-polig | | | | |
| | | Tarjeta de interfaz serial RS 232 9 polos hembra | | | | |
|  | 72278 | Scheda di interfaccia USB | ○ | - | - | |
| | | USB interface board | | | | |
| | 72248 | Carte interface USB | ○ | ○ | - | |
| Schnittstelle USB | | | | | | |
|  | 50200 | Scheda di espansione per campagna elettrodi | ○ | - | - | |
| | | Expansion board for electrodes dressing | | | | |
| | | Carte d'expansion pour l'affûtage des électrodes | | | | |
| | | Expansions-Printplatte für Elektrodenfräsung | | | | |
| | | Tarjeta de expansión para afiladores electrodos | | | | |
|  | 50285 | Scheda di interfaccia ETHERNET | ○ | - | ○ | |
| | | ETHERNET interface board | | | | |
| | | Carte interface ETHERNET | | | | |
| | | Schnittstelle ETHERNET | | | | |
| | | Tarjeta de interfaz ETHERNET | | | | |
|  | 50220 | Scheda per il pilotaggio di valvola proporzionale | ○ | - | - | |
| | | Board for controlling the proportional valve | | | | |
| | | Carte pour le pilotage de la vanne proportionnelle | | | | |
| | | Printplatte für Verwaltung Proportionalventil | | | | |
| | | Tarjeta de control válvula proporcional | | | | |
|  | 72219 | Profibus | ○ | - | ○ | |
| | 72220 | Devicenet | | | | |
| | 72221 | CanOpen | | | | |
| | 72222 | ETHERCAT | | | | |
| | 72772 | Profinet | | | | |
| | 72773 | EtherNet/IP | | | | |
| | | | | | | Modulo BUS di CAMPO FIELD Bus module Module des BUS de CHAMP Modul FIELD Bus Módulo de Bus de CAMPO |
|  | 23287 | TECNA Net | ○ | - | ○ | |
| | | | | | | |
|  | 50365 | TE71 | ○ | - | ○ | |
| | | | | | | Terminale di programmazione |
| | | | | | | Programming terminal |
| | | | | | | Terminal de programmation |
| | | | | | | Programmierungsterminal |
| Terminal de programación | | | | | | |

Art. / Item 1591A | 1591B

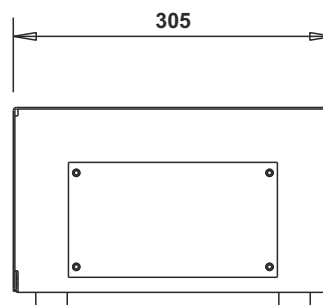
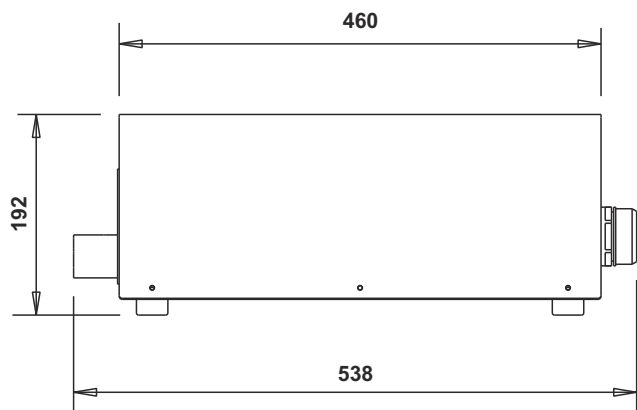


Art. / Item 1592A | 1593W | 1594W | 1596NW



*solo per art. 1596NW | *only for item 1596NW | *seulement pour l'art. 1596NW | *nur für die Kunst. 1596NW | *solamente para el art. 1596NW

Art. / Item 1584 | 1585 | 1587 | 1588 | 1589



TECNA®

**Via Miglioli, 36 | Castel San Pietro Terme
GPS N44° 24' 18" - E11° 34' 44"**



**Via Meucci, 27 | Castel San Pietro Terme
GPS N44° 24' 24" - E11° 35' 13"**



**Via Grieco, 25/27 | Castel San Pietro Terme
GPS N44° 24' 18" - E11° 34' 44"**

TECNA S.p.A. Via Meucci, 27 | 40024 | Castel San Pietro Terme (Bo) | Italia
Tel. +39.051.6954.411 | Fax +39.051.6954.490
vendite@tecna.net | sales@tecna.net
www.tecna.net