

Fluid-o-Tech brass rotary vane pumps



The rotary vane pumps, manufactured by Fluid-o-Tech and sold worldwide under the trademark Rotoflow, are volumetric pumps designed for pumping water and moderate aggressive liquids with low flow at high pressure.

Technical features and manufacturing characteristics

The rotary vane pump is brass made with a stainless steel AISI 303 rotor, while the

pumping chamber and the vanes are in carbon graphite.

The inlet and outlet ports are 3/8" GAS or NPT threaded.

The pumps are designed to be directly mounted to the motor with a stainless steel clamp.

For different mounting arrangements see our technical info "optional mountings".

Maximum operative temperature: 70 °C (158 °F).

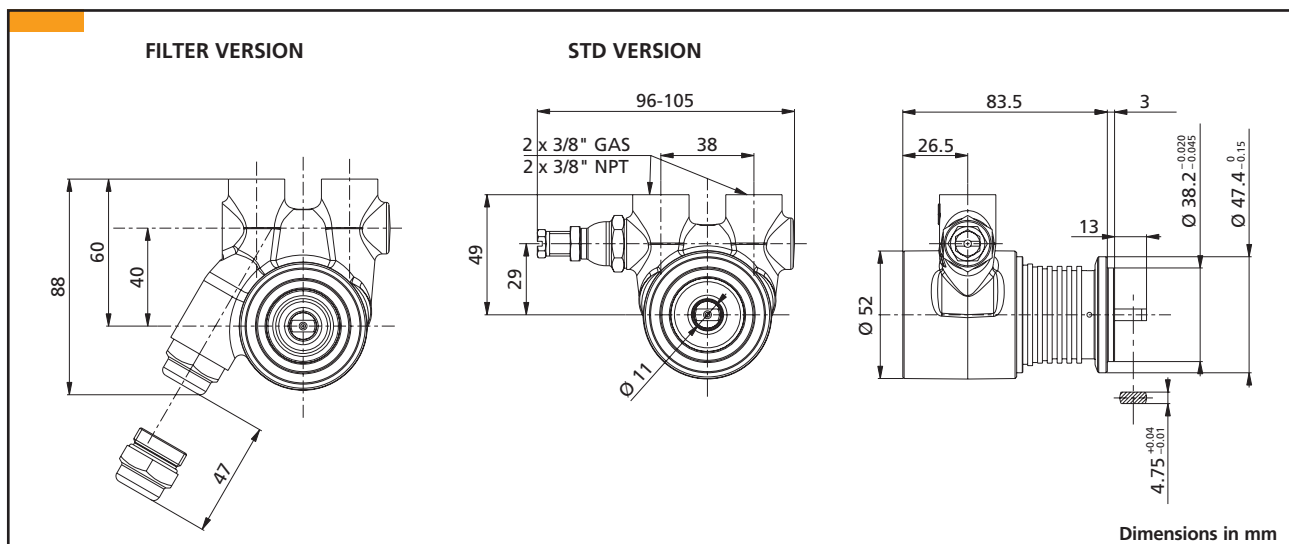
Available upon request:

- Viton®/EPDM seals (suffix - V/E)
- built-in relief valve
- built-in 70 mesh filter
- flange mount



Main applications

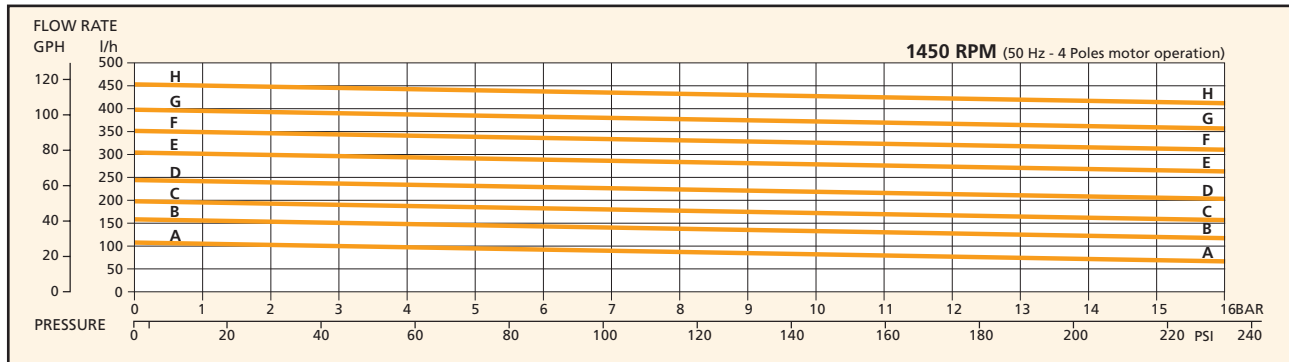
- Beverage vending machines
- Post-mix drink dispensers
- Espresso coffee machines
- Cooling systems
- Reverse osmosis
- Ultra-filtration
- Water dispensers



Fluid-o-Tech brass rotary vane pumps

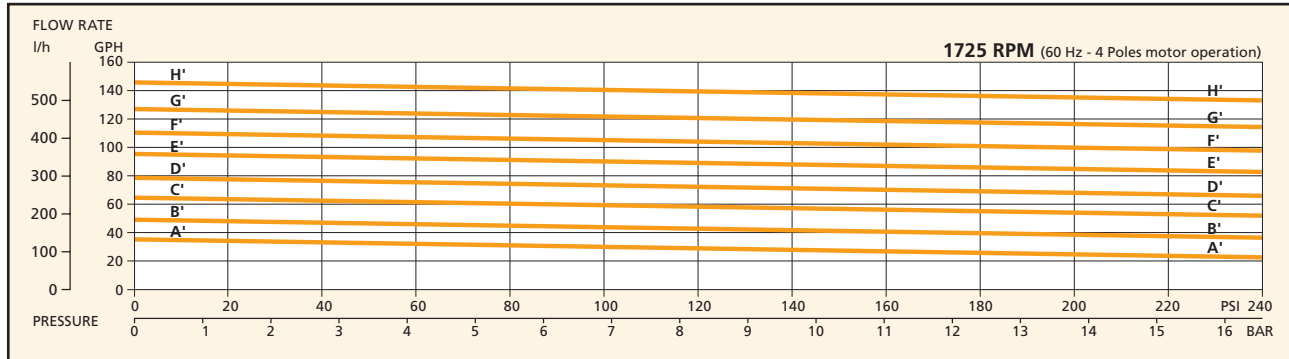
MODEL PO/PA	070	071	074	071x	074x	100	101	104	101x	104x	1500	1501	1504	1501x	1504x	200	201	204	201x	204x
Flow (l/h) at 2 BAR			100					150					190					236		
Flow (l/h) at 7 BAR			89					139					179					225		
Flow (l/h) at 14 BAR			70					120					160					206		
Figure			A-A					B-B					C-C					D-D		
Bypass	NO	STD	BAL	STD	BAL	NO	STD	BAL	STD	BAL	NO	STD	BAL	STD	BAL	NO	STD	BAL	STD	BAL
Built in filter	NO	NO	NO	YES	YES	NO	NO	NO	YES	YES	NO	NO	NO	YES	YES	NO	NO	NO	YES	YES

MODEL PO/PA	2500	2501	2504	2501x	2504x	300	301	304	301x	304x	3500	3501	3504	3501x	3504x	400	401	404	401x	404x
Flow (l/h) at 2 BAR			295					345					390					445		
Flow (l/h) at 7 BAR			284					334					379					434		
Flow (l/h) at 14 BAR			265					315					360					415		
Figure			E-E					F-F					G-G					H-H		
Bypass	NO	STD	BAL	STD	BAL	NO	STD	BAL	STD	BAL	NO	STD	BAL	STD	BAL	NO	STD	BAL	STD	BAL
Built in filter	NO	NO	NO	YES	YES	NO	NO	NO	YES	YES	NO	NO	NO	YES	YES	NO	NO	NO	YES	YES



MODEL PO/PA	070	071	074	071x	074x	100	101	104	101x	104x	1500	1501	1504	1501x	1504x	200	201	204	201x	204x
Flow (GPH) at 20 PSI			34					49					64					78		
Flow (GPH) at 100 PSI			30					45					60					74		
Flow (GPH) at 200 PSI			24					39					54					68		
Figure			A'-A'					B'-B'					C'-C'					D'-D'		
Bypass	NO	STD	BAL	STD	BAL	NO	STD	BAL	STD	BAL	NO	STD	BAL	STD	BAL	NO	STD	BAL	STD	BAL
Built in filter	NO	NO	NO	YES	YES	NO	NO	NO	YES	YES	NO	NO	NO	YES	YES	NO	NO	NO	YES	YES

MODEL PO/PA	2500	2501	2504	2501x	2504x	300	301	304	301x	304x	3500	3501	3504	3501x	3504x	400	401	404	401x	404x
Flow (GPH) at 20 PSI			95					111					127					144		
Flow (GPH) at 100 PSI			91					107					123					140		
Flow (GPH) at 200 PSI			85					101					117					134		
Figure			E'-E'					F'-F'					G'-G'					H'-H'		
Bypass	NO	STD	BAL	STD	BAL	NO	STD	BAL	STD	BAL	NO	STD	BAL	STD	BAL	NO	STD	BAL	STD	BAL
Built in filter	NO	NO	NO	YES	YES	NO	NO	NO	YES	YES	NO	NO	NO	YES	YES	NO	NO	NO	YES	YES



Pump weight: 1,1 kg / 2.5 Lbs (clamp mount) 1,3 kg / 2.9 Lbs (clamp mount w/strainer) - Characteristics at constant motor speed, water at 20 °C / 68 °F and bypass blocked.
 For applications involving other fluids, high temperatures or unusual processing conditions, please consult the factory or an authorized Fluid-o-Tech distributor.

Fluid-o-Tech reserves the right to alter the specifications indicated in this catalogue at any time and without prior notice.

PO-B - 03/09 Ed.

Fluid-o-Tech srl
 Via Leonardo da Vinci, 40
 20094 Corsico, Milano, Italy
 Tel. +39 02 8917071
 Fax +39 02 89170799

Fluid-o-Tech Int'l Inc.
 161 Atwater St.,
 Plantsville CT (USA) 06479
 Tel. +1 (860) 276-9270
 Fax +1 (860) 620-0193

Fluid-o-Tech Int'l Inc. Japan
 203, 2-17-19, Ebara, Shinagawa
 Tokyo 142-0063, Japan
 Tel. +81 (0) (3) 3783-9660
 Fax +81 (0) (3) 3783-9661

Fluid-o-Tech Asia (Beijing) Co., Ltd
 Jingwei Industrial Zone,
 Beifang Huairou, Beijing, 101400, PRC
 Tel. +86 (0) (10) 61684650
 Fax +86 (0) (10) 61684651

Fluid-o-Tech rotary vane pumps "Compact" and "Compact Plus"



with ball bearings supporting the rotor, is available in brass or stainless steel AISI 303. The pumping chamber and the vanes are made of carbon graphite. The inlet and outlet ports are 3/8" GAS/NPT threaded.

The pump is equipped with a built-in relief valve. Maximum operative temperature: 70 °C (158 °F).

Available upon request:

- Viton®/EPDM seals (suffix - V/E)



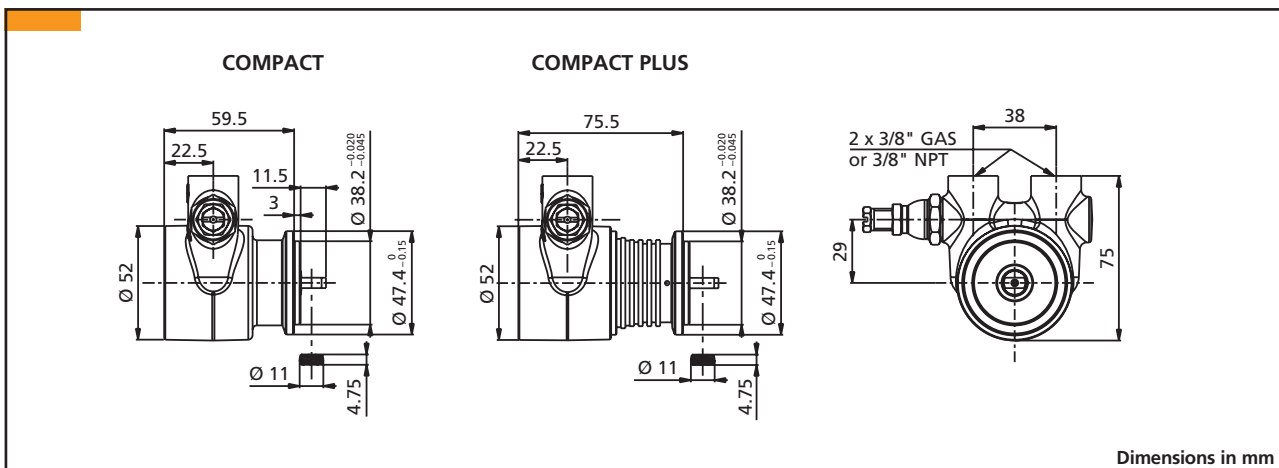
The "Compact" and "Compact Plus" series rotary vane pumps are the smallest series of the Rotoflow line of positive displacement pumps. Capable of high performances despite the small size, the Compact and Compact Plus series is the choice when space is an issue.

Technical features and manufacturing characteristics

The "Compact" series is available in brass only, while the "Compact Plus" series, equipped

Main applications

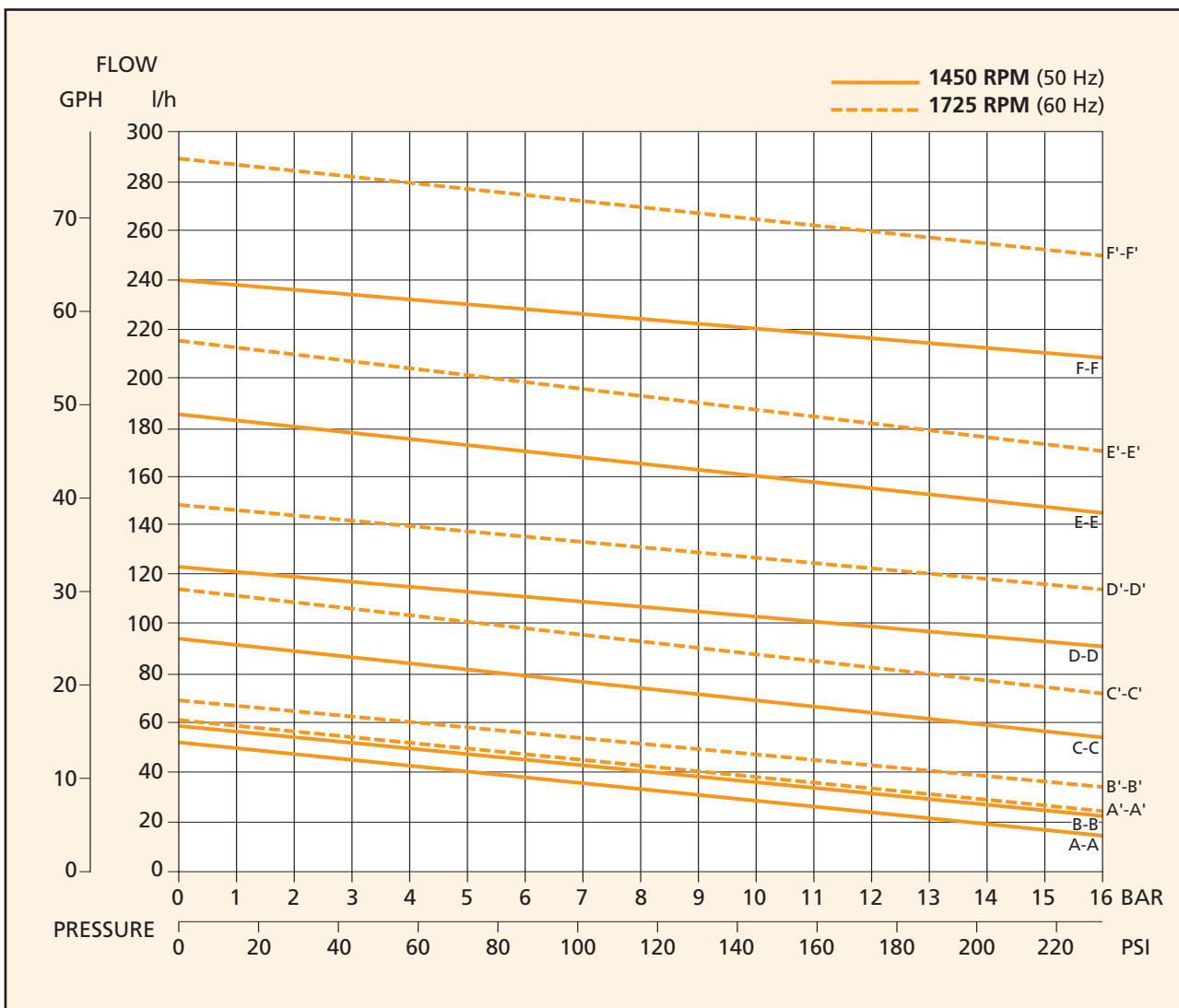
- Beverage vending machines
- Post-mix drink dispensers
- Espresso coffee machines
- Cooling systems
- Reverse osmosis
- Ultra-filtration
- Water dispensers



Fluid-o-Tech rotary vane pumps "Compact" and "Compact Plus"

MODEL CO/CA/CW (Compact)	030	031	034	050	051	054	070	071	074	100	101	104	150	151	154	200	201	204
Figure	A-A (50 Hz); A'-A' (60 Hz)			B-B (50 Hz); B'-B' (60 Hz)			C-C (50 Hz); C'-C' (60 Hz)			D-D (50 Hz); D'-D' (60 Hz)			E-E (50 Hz); E'-E' (60 Hz)			F-F (50 Hz); F'-F' (60 Hz)		
Bypass	NO	STD	BAL	NO	STD	BAL	NO	STD	BAL	NO	STD	BAL	NO	STD	BAL	NO	STD	BAL

MODEL MO/MA/MW (Compact Plus)	030	031	034	050	051	054	070	071	074	100	101	104	150	151	154	200	201	204
Figure	A-A (50 Hz); A'-A' (60 Hz)			B-B (50 Hz); B'-B' (60 Hz)			C-C (50 Hz); C'-C' (60 Hz)			D-D (50 Hz); D'-D' (60 Hz)			E-E (50 Hz); E'-E' (60 Hz)			F-F (50 Hz); F'-F' (60 Hz)		
Bypass	NO	STD	BAL	NO	STD	BAL	NO	STD	BAL	NO	STD	BAL	NO	STD	BAL	NO	STD	BAL



Pump weight: 850 g/1.9 Lbs (Compact) - 1 kg/2.2 Lbs (Compact Plus). Characteristics at constant motor speed, water at 20 °C/68 °F and bypass blocked. When coupling the pump to the motor the min. starting torque should be no less than 0,5 Nm.

For applications involving other fluids, high temperatures or unusual processing conditions, please consult the factory or an authorized Fluid-o-Tech distributor.

Fluid-o-Tech reserves the right to alter the specifications indicated in this catalogue at any time and without prior notice.

COMPACT/COMPACT PLUS - 12/08 Ed.

Fluid-o-Tech srl
Via Leonardo da Vinci, 40
20094 Corsico, Milano, Italy
Tel. +39 02 8917071
Fax +39 02 89170799

Fluid-o-Tech Int'l Inc.
161 Atwater St.,
Plantsville CT (USA) 06479
Tel. +1 (860) 276-9270
Fax +1 (860) 620-0193

Fluid-o-Tech Int'l Inc. Japan
203, 2-17-19, Ebara, Shinagawa
Tokyo 142-0063, Japan
Tel. +81 (0) (3) 3783-9660
Fax +81 (0) (3) 3783-9661

Fluid-o-Tech Asia (Beijing) Co., Ltd
Jingwei Industrial Zone,
Beifang Huairou, Beijing, 101400, PRC
Tel. +86 (0) (10) 61684650
Fax +86 (0) (10) 61684651

Fluid-o-Tech high volume rotary vane pumps



The high volume rotary vane pumps manufactured by Fluid-o-Tech and sold worldwide under the trademark Rotoflow are available in six flow ratings to meet the needs of high volume pumping.

Technical features and manufacturing characteristics

The rotary vane pump with brass or stainless steel body utilizes a stainless steel AISI 303

rotor, while the pumping chamber and the vanes are in graphitic carbon.

Inlet and outlet ports are 1/2" GAS or NPT threaded and the pump is equipped with a built-in adjustable by-pass valve.

The pump can be connected to coupling direct motor with a metallic clamp or to M71 and M80 UNELMEC frame motors with the Fluid-o-Tech coupling and adapter set.

Maximum operative temperature: 70 °C (158 °F)

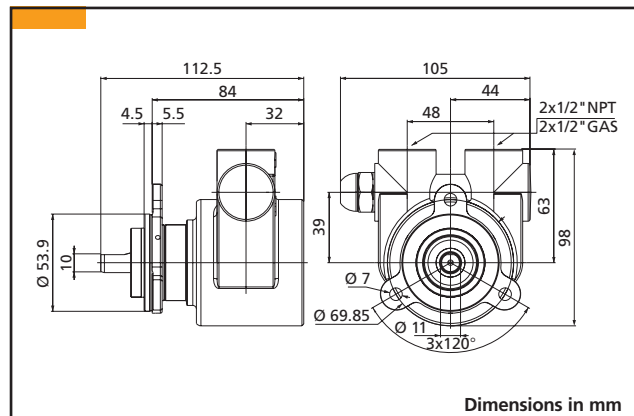
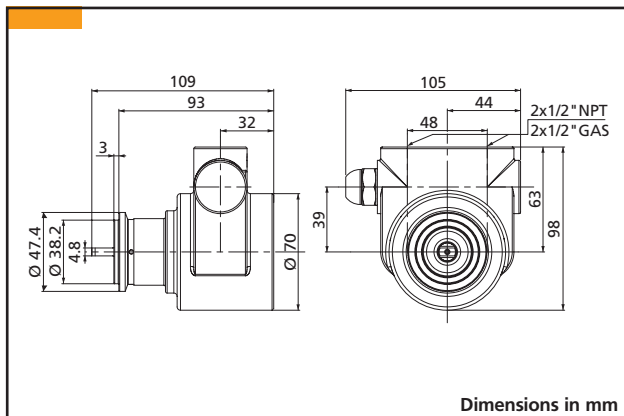
Available upon request:

- Viton®/EPDM seals (suffix - V/E)
- NSF listed pumps for potable water.
In this case the prefix for each model is PA instead of PO



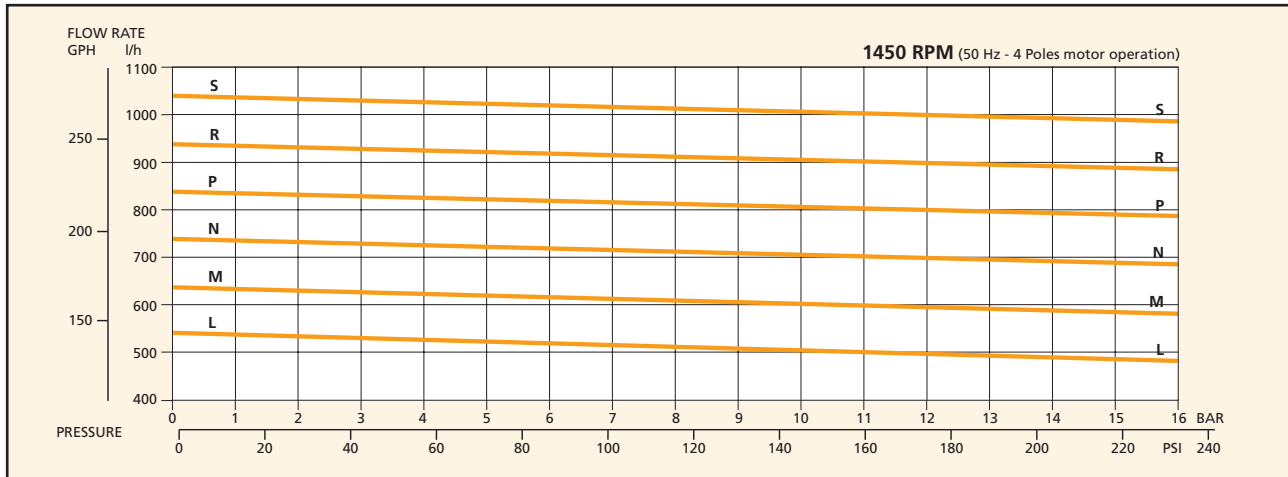
Main applications

- Post-mix drink dispensers
- Cooling and booster systems
- Fuel injection systems
- Reverse osmosis
- Ultra-filtration

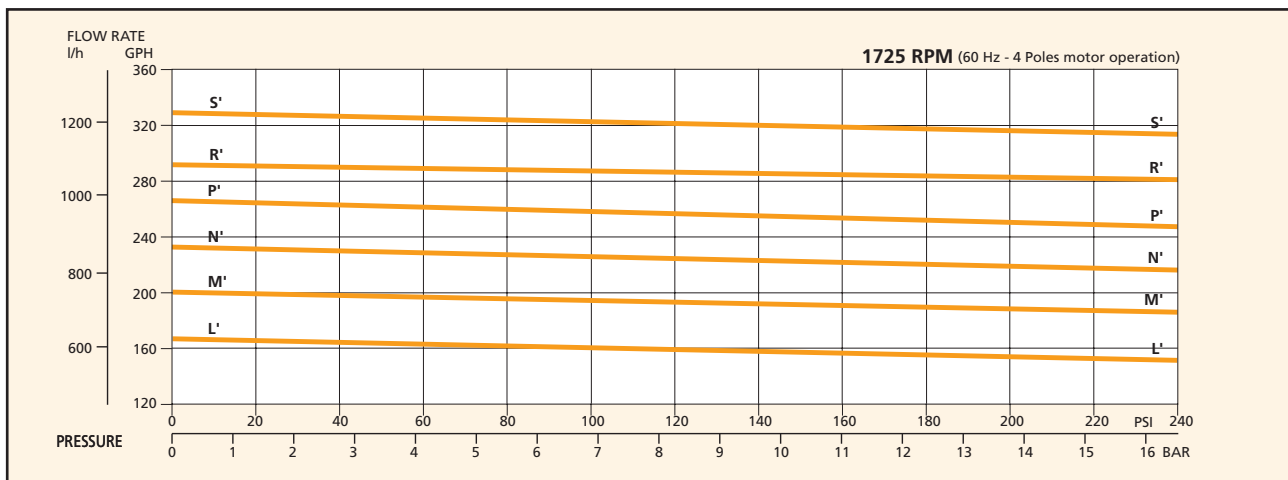


Fluid-o-Tech high volume rotary vane pumps

MODEL PO/PA	Brass																							
MODEL PO/PA	500	501	500F	501F	600	601	600F	601F	700	701	700F	701F	800	801	800F	801F	900	901	900F	901F	1000	1001	1000F	1001F
MODEL PO/PA	Stainless steel																							
MODEL PO/PA	510	511	510F	511F	610	611	610F	611F	710	711	710F	711F	810	811	810F	811F	910	911	910F	911F	1010	1011	1010F	1011F
I/h at 2 bar			540				640				740				840			940					1040	
I/h at 7 bar			520				620				720				820			920					1020	
I/h at 14 bar			497				597				697				797			897					997	
Figure			L-L				M-M				N-N				P-P			R-R					S-S	
Bypass valve	NO	YES	NO	YES	NO	YES	NO	YES	NO	YES	NO	YES	NO	YES	NO	YES	NO	YES	NO	YES	NO	YES	NO	YES
Flange mount	NO	NO	YES	YES	NO	NO	YES	YES	NO	NO	YES	YES	NO	NO	YES	YES	NO	NO	YES	YES	NO	NO	YES	YES
Clamp mount	YES	YES	NO	NO	YES	YES	NO	NO	YES	YES	NO	NO	YES	YES	NO	NO	YES	YES	NO	NO	YES	YES	NO	NO



MODEL PO/PA	Brass																							
MODEL PO/PA	500	501	500F	501F	600	601	600F	601F	700	701	700F	701F	800	801	800F	801F	900	901	900F	901F	1000	1001	1000F	1001F
MODEL PO/PA	Stainless steel																							
MODEL PO/PA	510	511	510F	511F	610	611	610F	611F	710	711	710F	711F	810	811	810F	811F	910	911	910F	911F	1010	1011	1010F	1011F
GPH at 20 psi			170				201				232				264			295					327	
GPH at 100 psi			165				196				227				259			290					322	
GPH at 200 psi			159				190				221				253			284					316	
Figure			L'-L'				M'-M'				N'-N'				P'-P'			R'-R'					S'-S'	
Bypass valve	NO	YES	NO	YES	NO	YES	NO	YES	NO	YES	NO	YES	NO	YES	NO	YES	NO	YES	NO	YES	NO	YES	NO	YES
Flange mount	NO	NO	YES	YES	NO	NO	YES	YES	NO	NO	YES	YES	NO	NO	YES	YES	NO	NO	YES	YES	NO	NO	YES	YES
Clamp mount	YES	YES	NO	NO	YES	YES	NO	NO	YES	YES	NO	NO	YES	YES	NO	NO	YES	YES	NO	NO	YES	YES	NO	NO



Characteristics at constant motor speed, with water at 20 °C (68 °F) and bypass blocked - Figures of flow are averages - Pump weight: 1,9 kg (4,2 Lbs) clamp mount and 2 kg (4,4 Lbs) flange mount. For applications involving other fluids, high temperatures or unusual processing conditions, please consult the factory or an authorized Fluid-o-Tech distributor.

Fluid-o-Tech reserves the right to alter the specifications indicated in this catalogue at any time and without prior notice.

PO-HV - 03/09 Ed.

Fluid-o-Tech srl
Via Leonardo da Vinci, 40
20094 Corsico, Milano, Italy
Tel. +39 02 8917071
Fax +39 02 89170799

Fluid-o-Tech Int'l Inc.
161 Atwater St.,
Plantsville CT (USA) 06479
Tel. +1 (860) 276-9270
Fax +1 (860) 620-0193

Fluid-o-Tech Int'l Inc. Japan
203, 2-17-19, Ebara, Shinagawa
Tokyo 142-0063, Japan
Tel. +81 (0) (3) 3783-9660
Fax +81 (0) (3) 3783-9661

Fluid-o-Tech Asia (Beijing) Co., Ltd
Jingwei Industrial Zone,
Beifang Huairou, Beijing, 101400, PRC
Tel. +86 (0) (10) 61684650
Fax +86 (0) (10) 61684651