

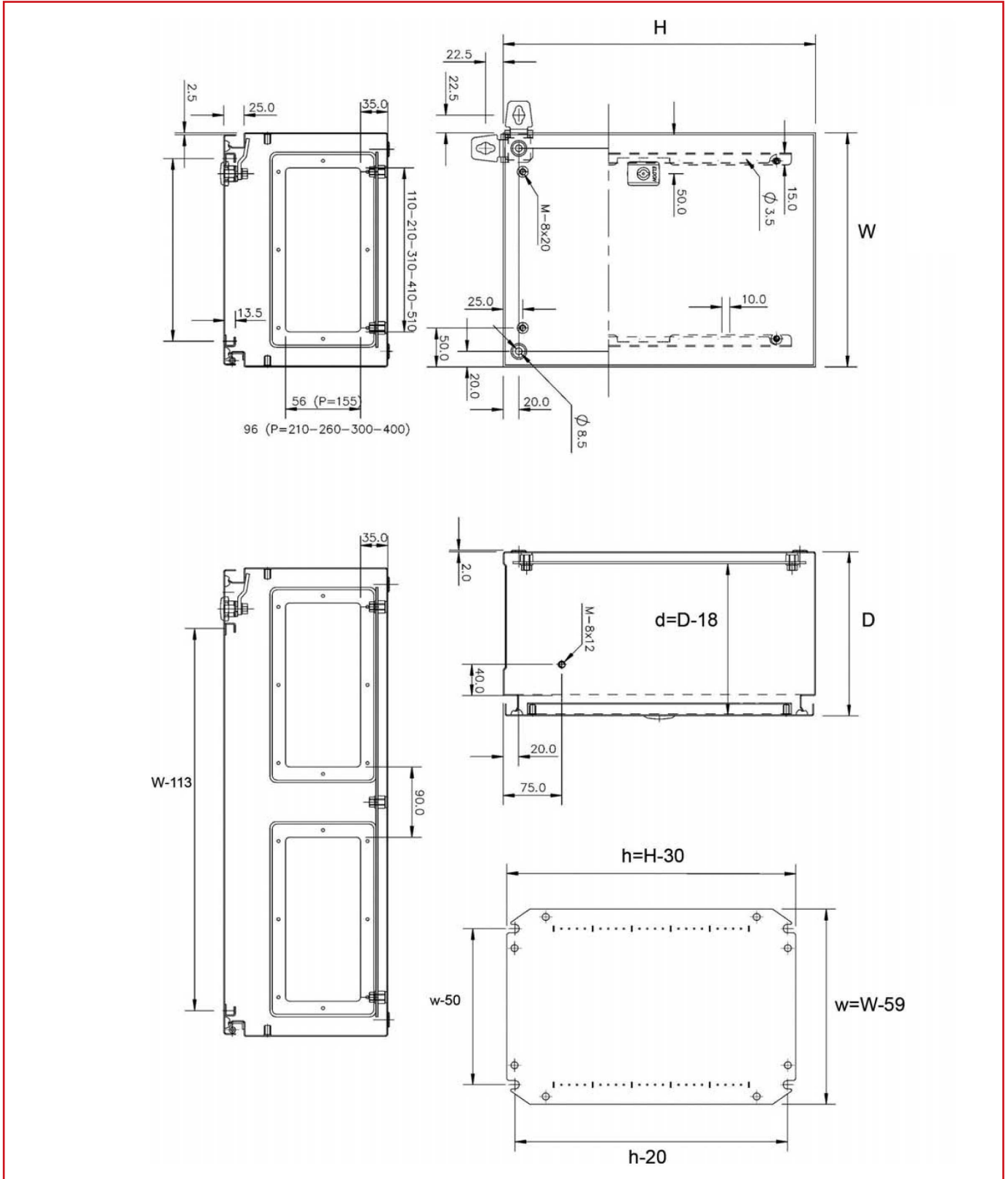
## DATA SHEET: MODULAR ENCLOSURES WSMxxxx SINGLE DOOR



### TECHNICAL DATA

- **Material:** Body: 1.2mm mild steel / 1.4mm WSM6060210 and above / 1.5mm WSM1012302 and above, and 400mm depth enclosures.  
Gland plate: 1.4mm mild steel. Door: 1.2mm mild steel / 1.4mm WSM6060210 and above / 1.8mm WSM1060260 and above. Mounting plate: 2mm galvanised steel.
- **Body:** Folded and seam welded. Four 8.5mm diameter holes for wall fixing, pressed out in 20.4mm diameter x 2mm depressions to allow air circulation around the rear part of the enclosure.
- **Door:** Surface mounted with 130° opening. Concealed removable hinges with captive pin. Hinges can be mounted to allow left or right hand opening. From size WSM6040150 and above there are two removable mounting profiles in the door. Sealing is ensured by an extruded one piece polyurethane gasket.
- **Lock:** Customised lock with double grip for easy opening of the door. DIN 5mm insert and 90° movement. 1000mm high enclosures and above have espagnolet three point locking. Other inserts are available as an accessory.
- **Mounting plate:** The mounting plate is marked vertically at 10mm intervals for easy horizontal positioning of equipment. On the top and bottom there are holes to facilitate cable fixing. Fixed onto M8 press welded studs to the rear of the enclosure. All sides from 800mm and above are strengthened by folded edges. By using the WSMAMG accessory the mounting plate position can be adjusted to any depth.
- **Gland Plate Opening:** Situated at the far rear of the enclosure to make cabling onto the mounting plate easier.
- **Protection:** Complies with IP 66 and NEMA 4, 12 and 13. For outdoor installation the use of rain hood WSMD.....is recommended and the corrosion resistance must be taken into consideration.
- **Finish:** RAL 7035 structure powder coating.
- **Delivery:** Enclosure with door, and two door mounting profiles from size WSM6040150 and above. Gland plate(s) with gasket(s), plastic DIN 5m key, and mounting plate including mounting accessories. Earthing facilities.

**DIMENSIONS**



DESCRIPTION	DIM (HxWxD) mm	WEIGHT (kg)	ORDER NO.
Modular enclosures	200x200x155	2,3	WSM2020150
Modular enclosures	250x200x155	2,7	WSM2520150
Modular enclosures	250x250x155	3,2	WSM2525150
Modular enclosures	300x250x155	3,8	WSM3025150
Modular enclosures	300x250x210	3,6	WSM3025210
Modular enclosures	300x300x155	4,3	WSM3030150
Modular enclosures	300x300x210	5,5	WSM3030210
Modular enclosures	350x250x155	4,2	WSM3525150
Modular enclosures	400x300x155	5,2	WSM4030150
Modular enclosures	400x300x210	7	WSM4030210
Modular enclosures	400x400x210	8,6	WSM4040210
Modular enclosures	400x500x210	10,5	WSM4050210
Modular enclosures	400x600x210	12,2	WSM4060210
Modular enclosures	500x300x210	8,6	WSM5030210
Modular enclosures	500x400x155	8,5	WSM5040150
Modular enclosures	500x400x210	10,4	WSM5040210
Modular enclosures	500x400x260	11,2	WSM5040260
Modular enclosures	500x400x300	21,1	WSM5040300
Modular enclosures	500x500x210	12,6	WSM5050210
Modular enclosures	500x500x300	14,5	WSM5050300
Modular enclosures	600x400x155	8,5	WSM6040150
Modular enclosures	600x400x210	12,2	WSM6040210
Modular enclosures	600x400x260	13,6	WSM6040260
Modular enclosures	600x400x300	14,5	WSM6040300
Modular enclosures	600x500x155	10,3	WSM6050150
Modular enclosures	600x500x210	15,4	WSM6050210
Modular enclosures	600x500x260	16,6	WSM6050260
Modular enclosures	600x500x300	17,5	WSM6050300
Modular enclosures	600x600x210	21	WSM6060210
Modular enclosures	600x600x300	24	WSM6060300
Modular enclosures	600x600x400	27	WSM6060400
Modular enclosures	600x800x300	31	WSM6080300
Modular enclosures	600x800x300	31	WSM8060300
Modular enclosures	700x500x210	21	WSM7050210
Modular enclosures	700x500x260	23,2	WSM7050260
Modular enclosures	800x400x300	24	WSM8040300
Modular enclosures	800x600x210	28	WSM8060210
Modular enclosures	800x600x260	29,8	WSM8060260
Modular enclosures	800x600x400	34	WSM8060400
Modular enclosures	800x800x210	35	WSM8080210
Modular enclosures	800x800x300	39	WSM8080300
Modular enclosures	800x800x400	43	WSM8080400

DESCRIPTION	DIM (HxWxD) mm	WEIGHT (kg)	ORDER NO.
Modular enclosures	1000x600x260	38	WSM1006260
Modular enclosures	1000x600x300	39	WSM1006300
Modular enclosures	1000x800x260	44	WSM1008260
Modular enclosures	1000x800x300	47	WSM1008300
Modular enclosures	1000x800x400	51	WSM1008400
Modular enclosures	1200x600x300	51	WSM1206300
Modular enclosures	1200x800x300	60	WSM1208300
Modular enclosures	1200x800x400	66	WSM1208400