

**Important!**  
 Disconnect power to the main board before making any changes to DIP switches/Jumpers, wiring the unit and/or connecting the wall panel.

**Device Instance Number ( DIN )**

F1,0	F2,0	F3,0	DIN
Unshort	Unshort	Unshort	EEPROM
Short	Unshort	Unshort	DIN= MAC+1200
Unshort	Short	Unshort	DIN= MAC+1000
Short	Short	Unshort	DIN= MAC+900
Unshort	Unshort	Short	DIN= MAC+600
Short	Unshort	Short	DIN= MAC+400
Unshort	Short	Short	DIN= MAC+200
Short	Short	Short	DIN=MAC

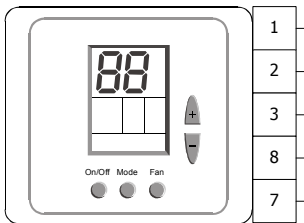
MAC Physical address of Device (DIPSWITCH)

Device Instance Number ( DIN )

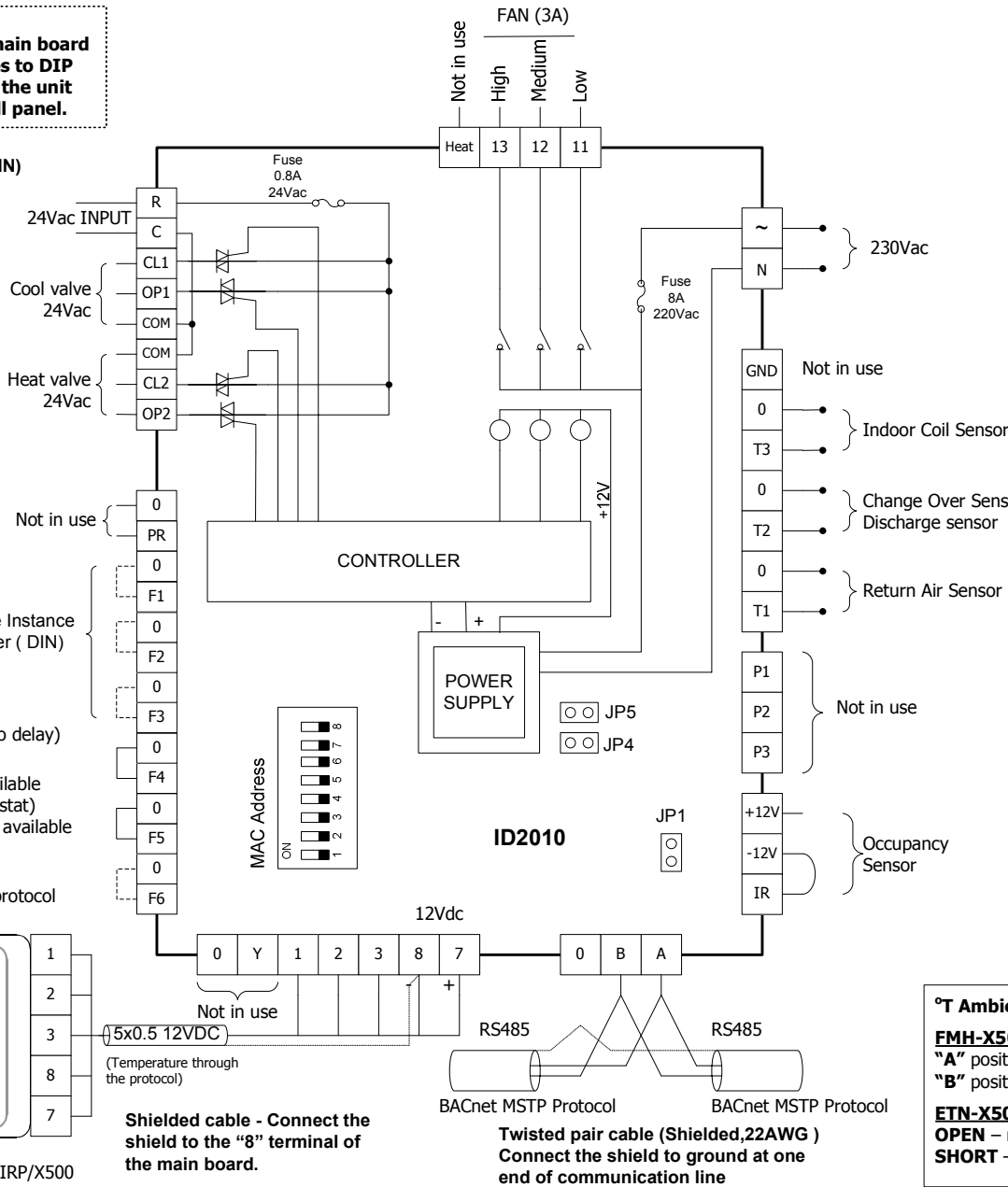
F4 – Fault 1 input (N.C.)  
 When open – all outputs OFF (no delay)

F5 – Short – Fan Only mode available (Selectable through thermostat)  
 F5 – Open – Fan Only mode not available

F6 – Fault 2 input (N.C.)  
 Only for indication through the protocol



Wall Panel (Option)  
 ETN/X500 ; FMH/X500 ; IRP/X500



Shielded cable - Connect the shield to the "8" terminal of the main board.

Twisted pair cable (Shielded, 22AWG)  
 Connect the shield to ground at one end of communication line

**JP1**  
 End of Network jumper – Jumper Short (Resistance 120 Ω)

**Change Over Sensor (T2) in 2-Pipe system:**

**With Change Over Sensor**  
 T2 < 20°C → Cool  
 T2 > 30°C → Heat

**Without Change Over Sensor**  
 Manually select the mode using the wall panel or computer.

**Occupancy Sensor**

When the IR (N.C.) input is open for 10 minutes, all outputs turn Off.

Short the (-12V) and (IR) connectors, only when an occupancy sensor is not connected

**Indoor Coil Sensor (T3) Indoor Fan in heat mode**

**With Indoor Coil Sensor**  
 T3 > 36°C → Fan ON  
 T3 < 32°C → Fan OFF

**Without Indoor Coil Sensor**  
 The Indoor Fan will operate when there is a demand for heating (with 30 seconds time delay)

**Jumpers – JP4 & JP5**

**JP4 – SHORT (4-Pipe System)**  
 Auto change over active  
 2 separate outputs for Cool and Heat  
 T2 – for monitoring only

**JP4 – OPEN (2-Pipe System)**  
 Auto change over not active  
 1 output for Cool and Heat  
 T2 – Logic selection

**JP5 - SHORT**  
 In Cool mode – Auto Fan  
 In Heat mode – Auto Fan

**JP5 - OPEN**  
 In Cool mode – Fan ON  
 In Heat mode – Fan ON

**°T Ambient reading from panel or from Main Board**

**FMH-X500 – JP2**  
 "A" position – read temperature from main board.  
 "B" position – read temperature from panel.

**ETN-X500 – JP2**  
**OPEN** – read temperature from main board.  
**SHORT** – read temperature from panel.