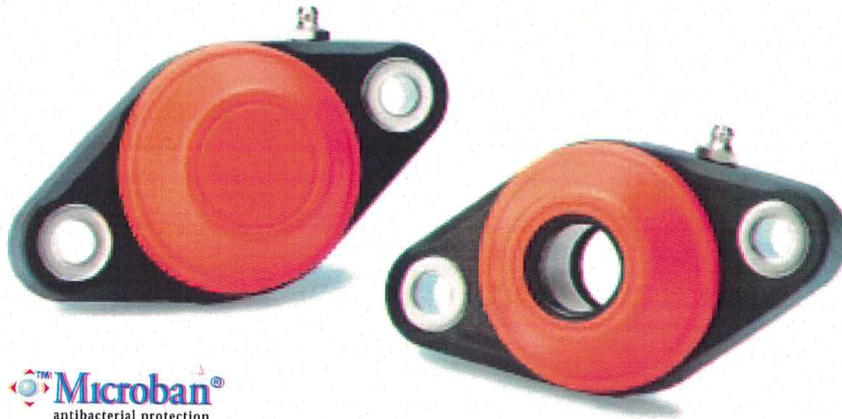


UCFL/C-HCFL/C

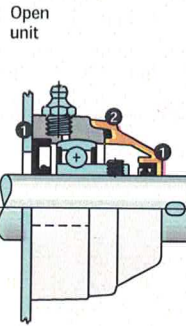
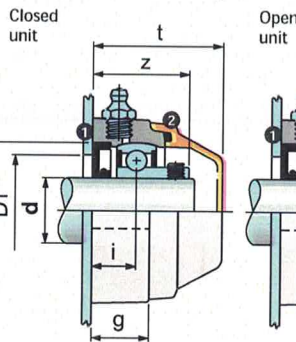
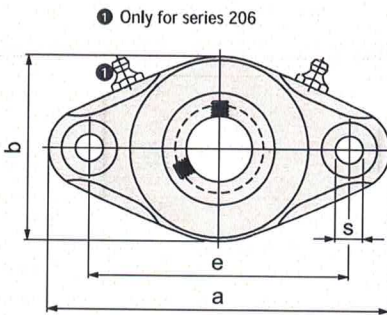
Oval flange bearing units



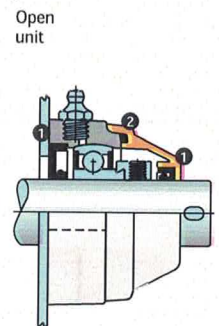
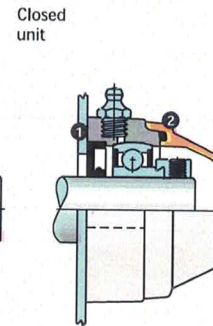
- Waterproof housing
- Grub screws or eccentric collar shaft locking
- PA FV polyamide housing
High mechanical and heat resistance. Proof to dust, humidity, washouts, steam, average aggressive chemical agents.
- PP FV polypropylene housing
Proof to highly aggressive chemical agents. Inferior loading ability.
- Solid flange bearings
They differ from standard flange versions for their closed surface structure, ideal for sanitation.
- Supports with Microban® antibacterial protection
Microban® material is effective against the most common bacteria that may grow in foodstuff like E. Coli, Salmonella, Listeria, S-Aureus, Campylobacter.



Series UCFL/C Grub screws shaft locking



Series HCFL/C Eccentric collar shaft locking



- ① Seal.
- ② O-Ring.

Housing material

Ø d mm	Series	Housing material					Dimensions in mm											Bore in frame ²⁾		Weight Kg
		Polyamide PA FV Standard Flange (black) Cover (orange)	Polyamide PA FV Solid Flange (black) Cover (orange)	Polyamide PA FV with Microban® Solid Flange (grey) Cover (red)	Polypropylene PP FV 1) Standard Flange (black) Cover (orange)	Polypropylene PP FV with Microban® Solid Flange (white) Cover (red)	e	a	b	s	g	i	z	t	Dg	max.	min.	Bearing		
Grub screws shaft locking • Closed unit																				
20	UCFL 204 C	69016	679152	650972	679452	679652	90	116	62	11	20	15,2	33,5	46	47	45	40	YAT 204	0,25	
25	UCFL 205 C	68523	679162	650982	679462	679662	99	130	71	11	22,5	16,8	36,3	49,5	52	50	45	YAT 205	0,33	
30	UCFL 206 C	68399	679172	650992	679472	679672	117	148	85	11	26	20	41	55	62	60	50	YAT 206	0,42	
35	UCLF 207 C	648131	679182	651002	679482	679682	130	162	93	11	26	19,5	45	59	72	70	55	YAT 207	0,65	
40	UCLF 208 C	672411	679192	651012	679492	679692	144	176	102	11	30	23	52	65,5	80	78	65	YAT 208	0,90	
Grub screws shaft locking • Open unit																				
20	UCFL 204 C	69026	679202	651072	679502	679702	90	116	62	11	20	15,2	33,5	46	47	45	40	YAT 204	0,25	
25	UCFL 205 C	68533	679212	651082	679512	679712	99	130	71	11	22,5	16,8	36,3	49,5	52	50	45	YAT 205	0,33	
30	UCFL 206 C	68409	679222	651092	679522	679722	117	148	85	11	26	20	41	55	62	60	50	YAT 206	0,42	
35	UCLF 207 C	648141	679232	651102	679532	679732	130	162	93	11	26	19,5	45	59	72	70	55	YAT 207	0,65	
40	UCLF 208 C	672421	679242	651112	679542	679742	144	176	102	11	30	23	52	65,5	80	78	65	YAT 208	0,90	
Eccentric collar shaft locking • Closed unit																				
20	HCFL 204 C	679052	679252	679352	679552	679752	90	116	62	11	20	15,2	38,7	49	47	45	40	YET 204	0,30	
25	HCFL 205 C	679062	679262	679362	679562	679762	99	130	71	11	22,5	16,8	40,3	49,5	52	50	45	YET 205	0,37	
30	HCFL 206 C	679072	679272	679372	679572	679772	117	148	85	11	26	20	46,7	55	62	60	50	YET 206	0,49	
35	HCLF 207 C	679082	679282	679382	679582	679782	130	162	93	11	26	19,5	48,9	59	72	70	55	YET 207	0,83	
40	HCLF 208 C	679092	679292	679392	679592	679792	144	176	102	11	30	23	55,7	71	80	78	65	YET 208	1,09	
Eccentric collar shaft locking • Open unit																				
20	HCFL 204 C	679102	679302	679402	679602	679802	90	116	62	11	20	15,2	38,7	49	47	45	40	YET 204	0,30	
25	HCFL 205 C	679112	679312	679412	679612	679812	99	130	71	11	22,5	16,8	40,3	49,5	52	50	45	YET 205	0,37	
30	HCFL 206 C	679122	679322	679422	679622	679822	117	148	85	11	26	20	46,7	55	62	60	50	YET 206	0,49	
35	HCLF 207 C	679132	679332	679432	679632	679832	130	162	93	11	26	19,5	48,9	59	72	70	55	YET 207	0,83	
40	HCLF 208 C	679142	679342	679442	679642	679842	144	176	102	11	30	23	55,7	71	80	78	65	YET 208	1,09	

1) = Available upon request and minimum order quantity.

2) = Dimensions Df max / Df min must be respected to ensure positive retention of the seals and to allow air bleeding during lubrication.

Packaging : 6 pieces.