

LKEHFE/EXN, LKEHFV/EXN EXPLOSION-SAFE

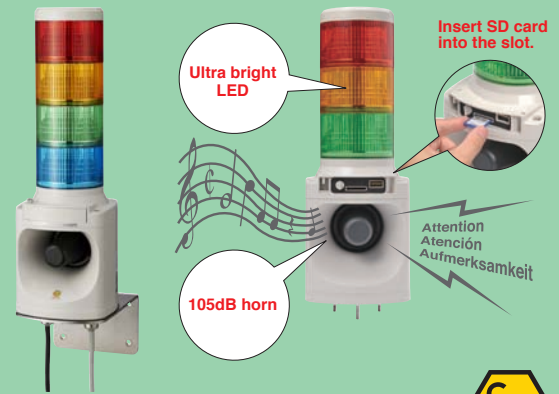
CE II 3 GD; Ex nA II T4; Ex tD A22 IP65 T85°C 94/9/EC (ATEX) and 2004/108/EC (EMC) EN60079-15, EN60079-0, EN61241-1, EN61241-0



105dB(A)

MP3 Field Programmable Annunciator, Melody Horn

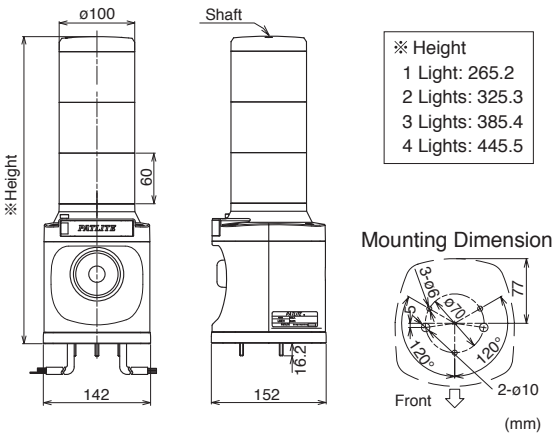
- Explosion-safe for gas and dust
- Suitable for Zone 2 and Zone 22
- CE compliance in accordance to ATEX
- Super bright LED colors correspond to different voice, sounds, chimes and melodies.
- Voice alert messages of up to 63 seconds (64kbit/s) with 5 channels can be played back.
- 32 combinations of sounds, chimes and melodies are pre-recorded.
- 8 sounds can be played back by a bit input, and 32 sounds by binary input.
- Volume is adjustable from 0 to 105dB at 1 meter.
- Field programmable with MP3 by SD card for the model LKEHFV/EXN.
- Well visible with the super bright 100mm diameter LED from far distance.
- Robust design to withstand against 2G vibration.
- The body is made of Acrylonitrile-Ethlene-Styrene for weather resistant.
- Easy to control by only one common wire for both LED units and audible signals.
- NPN is standard. PNP open collector type is also available on order.
- Protection rating of IP65



LKEHFV/EXN, LKEHFE/EXN



Dimensions



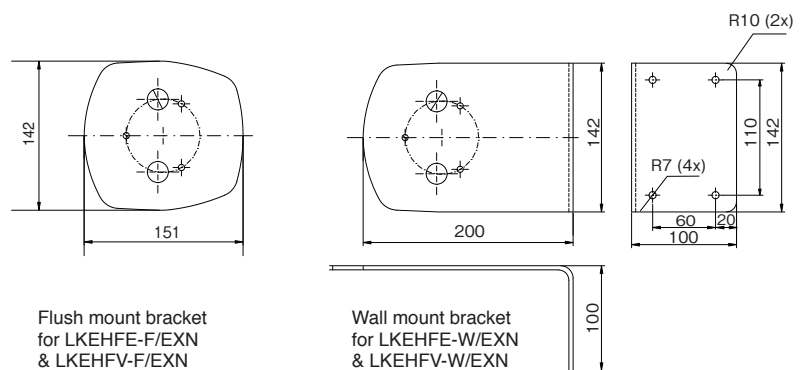
Model	MP3	LED stack	Power
LKEHFE-F/EXN	—	3	14.2W
LKEHFE-W/EXN	—	3	14.2W
LKEHFV-F/EXN	Supports	3	14.2W
LKEHFV-W/EXN	Supports	3	14.2W

- LED units can be stacked to 1, 2, and 4 on order.
- SD card for the model LKEHFV-F/EXN and LKEHFV-W/EXN sold separately.

Sound Selection Charts

- 32 sounds are pre-recorded in one unit. 4 sound types are available.
- 8 sounds can be played back by a bit input, and 32 sounds by binary input.

Beep	Stutter + Bell	Inverted Revelle	Annie Laurie
Stutter	Synthesized Melody	Galactic Motor	London Bridge
Bell	Chime	Ringing Phone	Mary's Lamb
Yelp	Call Sign	Two Tone	Camptown Races
Rapid Hi Lo	Train Ride	Alarm Clock	Amaryllis
Melody Chime	Galloping Hi Lo	Ringing Hi Lo	Symphony #40
Synthesized Piano	Alien Chatter	Fur Elise	Ave Maria
Synthesized Bell	Falling Crystals	Minuet	Grandfather's Clock



Flush mount bracket for LKEHFE-F/EXN & LKEHFV-F/EXN

Wall mount bracket for LKEHFE-W/EXN & LKEHFV-W/EXN

Specifications

Model	Rated Voltage	Voltage Range	MP3, Melody	Operating Temperature	Recordable Duration	Sound Pressure (at 1m)	Mounting Brackets	Messages	Mass
LKEHFE-F/EXN	24VDC	24VDC +/-10%	Type-E	-10C to +50C, Humidity 85% or less	Prerecorded	105dB	Flush mount	8ch bit input, 32ch binary input	2.8Kg
LKEHFE-W/EXN			Type-E		Prerecorded		Wall mount	8ch bit input, 32ch binary input	3.2Kg
LKEHFV-F/EXN			MPEG1-Audio layer III, 64kbit/s		63 sec.		Flush mount	5ch bit input, 31ch binary input	2.8Kg
LKEHFV-W/EXN			MPEG1-Audio layer III, 64kbit/s		63 sec.		Wall mount	5ch bit input, 31ch binary input	3.2Kg