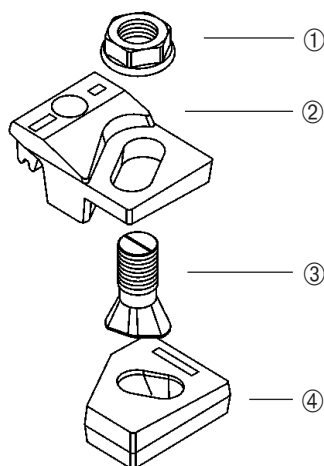


* For mounting on concrete + metallic plate, please contact us.

| CLIPS | C max | Tightening torque | Admissible side load | Est'd weight |
|-----------|-------|-------------------|----------------------|--------------|
| | mm | Nm | kN | kg |
| 21/080/AN | 33 | | | 0,950 |
| 21/080/BN | 40 | 250 | 75 | 1,000 |
| 21/080/CN | 47 | | | 1,100 |

N : nose height, not compressed, adapted to the rail type (see table overleaf).

MOUNTING INFORMATION



Bolts and nuts are hot dip galvanized.

| Full designation | |
|---|--|
| 21/080/AN or 21/080/BN or 21/080/CN | |
| Components | |
| ① | 1x Sp M20 - Cl.8 |
| ② | 1x 21/080/30/N or 21/080/37/N or 21/080/44/N |
| ③ | 1x TC M20 x 48 - 8.8 |
| ④ | 1x 21/080/21 |

Anti-corrosion coating : see leaflet "Patented weldable clips".

Welding information

Lower part material : forged steel

DIN 17.100 - Wst.-Nr.: 1.0570 : St 52.3

NFA 35-501 : E 36-3

BS 4360 : 50 C

EURONORM 10.025 : S 355 J 0

⁴ on the whole periphery

Electrodes :

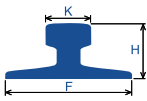
DIN 1913 : E 51 55 B10 110

AFNOR 81-309 : E 51 5/5 B 110 26 BH

ISO 2560 : E 51 5B 110 26(H)

ASME IIC SFA 5.1 : E 7018-1

21/080

| CLIP SELECTION FOR EACH RAIL | | | | | | | |
|---|---------|---------|---------|----------------|-----------|-----------|--|
|  | F mm | K mm | H mm | Weight kg/m | Mounting | | |
| | | | | | with | without | |
| | | | | | pad | | |
| A 65 | 175.0 | 65.0 | 75.0 | 43.10 | 21/080/BQ | 21/080/AQ | |
| A 75 | 200.0 | 75.0 | 85.0 | 56.20 | 21/080/BQ | 21/080/AQ | |
| A 100 | 200.0 | 100.0 | 95.0 | 74.30 | 21/080/BK | 21/080/AK | |
| A 120 | 220.0 | 120.0 | 105.0 | 100.00 | 21/080/BK | 21/080/AK | |
| A 150 | 220.0 | 150.0 | 150.0 | 150.30 | 21/080/CQ | 21/080/BQ | |
| MRS 51 (104 CR) | 127.0 | 63.5 | 127.0 | 51.59 | 21/080/BK | 21/080/AK | |
| MRS 52 (105 CR) | 131.8 | 65.1 | 131.8 | 52.09 | 21/080/BK | 21/080/AK | |
| MRS 67 (135 CR) | 131.8 | 76.2 | 146.0 | 66.97 | 21/080/BK | 21/080/AK | |
| MRS 85 (171 CR) | 152.4 | 101.6 | 152.4 | 84.83 | 21/080/BI | 21/080/AI | |
| MRS 87 A (PRI 85 R) | 152.4 | 101.6 | 152.4 | 86.80 | 21/080/CQ | 21/080/AI | |
| MRS 87 B (175 CR) | 152.4 | 102.4 | 152.4 | 86.80 | 21/080/BK | 21/080/AK | |
| MR 151 (PR 7) | 220.0 | 150.0 | 150.0 | 151.30 | 21/080/CQ | 21/080/BQ | |
| Vign 36 | 115.0 | 58.2 | 128.0 | 36.54 | 21/080/BQ | 21/080/AQ | |
| Vign 46 (U 33) | 134.0 | 62.0 | 145.0 | 46.36 | 21/080/BQ | 21/080/AQ | |
| Vign 50 (U 50) | 140.0 | 65.0 | 153.0 | 50.88 | 21/080/BK | 21/080/AK | |
| Vign 52 | 150.0 | 65.0 | 150.0 | 52.34 | 21/080/BQ | 21/080/AQ | |
| Vign 55 | 134.0 | 62.0 | 155.0 | 56.07 | 21/080/BK | 21/080/AK | |
| S 41/10 | 125.0 | 67.0 | 138.0 | 41.38 | 21/080/BQ | 21/080/AQ | |
| S 49 | 125.0 | 67.0 | 149.0 | 49.43 | 21/080/BQ | 21/080/AQ | |
| S 54 | 125.0 | 67.0 | 154.0 | 54.54 | 21/080/BK | 21/080/AK | |
| S 64 | 150.0 | 74.0 | 172.0 | 64.92 | 21/080/BK | 21/080/AK | |
| GX 40 | 127.0 | 63.5 | 127.0 | 39.80 | 21/080/BQ | 21/080/AQ | |
| GX 42 | 131.8 | 65.1 | 131.8 | 42.16 | 21/080/BQ | 21/080/AQ | |
| EB 50 T | 140.0 | 72.0 | 151.0 | 50.10 | 21/080/BK | 21/080/AK | |
| UIC 54 | 140.0 | 70.0 | 159.0 | 54.43 | 21/080/BQ | 21/080/AQ | |
| UIC 60 | 150.0 | 72.0 | 172.0 | 60.34 | 21/080/BQ | 21/080/AQ | |
| 56 CR | 171.0 | 76.0 | 101.5 | 56.81 | 21/080/BQ | 21/080/AQ | |
| 89 CR | 178.0 | 102.0 | 114.0 | 89.81 | 21/080/CQ | 21/080/BQ | |
| 101 CR | 165.0 | 100.0 | 155.0 | 100.38 | 21/080/CK | 21/080/BK | |
| BS 113 A | 139.7 | 69.9 | 158.8 | 56.40 | 21/080/BK | 21/080/AQ | |
| JIS 37 | 122.2 | 62.7 | 122.2 | 37.20 | 21/080/BQ | 21/080/AQ | |
| JIS 40 N | 122.0 | 64.0 | 140.0 | 40.90 | 21/080/BQ | 21/080/AQ | |
| JIS 50 N | 127.0 | 65.0 | 153.0 | 50.40 | 21/080/BK | 21/080/AK | |
| JIS 60 | 145.0 | 65.0 | 174.0 | 60.80 | 21/080/BK | 21/080/AK | |
| CR 73 | 140.0 | 100.0 | 135.0 | 73.30 | 21/080/BI | 21/080/AI | |
| CR 100 | 155.0 | 120.0 | 150.0 | 100.20 | 21/080/CK | 21/080/BK | |
| AS 41 | 127.0 | 63.5 | 137.0 | 40.72 | 21/080/BQ | 21/080/AQ | |
| AS 50 | 127.0 | 69.9 | 154.0 | 50.80 | 21/080/BK | 21/080/AK | |
| AS 60 | 146.0 | 69.9 | 170.0 | 60.99 | 21/080/BK | 21/080/AK | |
| AS 73 (MRS 73) | 146.0 | 70.0 | 157.0 | 73.63 | 21/080/CK | 21/080/BK | |
| AS 86 (MRS 86) | 165.0 | 102.0 | 102.0 | 85.60 | 21/080/CQ | 21/080/BQ | |

For rail sections other than those listed on this page, please contact us.

We reserve the right to discontinue or change specifications or design at any time without prior notice and without incurring any obligation whatsoever.


GANTREX GmbH

Hirzenrott 10 – D 52076 Aachen • Tel. +49 (0)2408 9454-0 • Fax +49 (0) 2408 9454-28

E-mail : info@de.gantry.com • http://www.gantrex.de