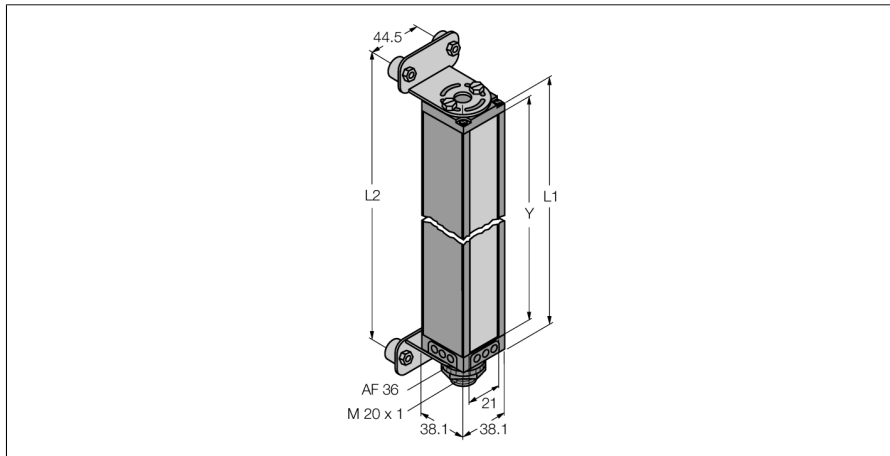


Measuring Light Screen Emitter BMEL6016A



- Minimum target size 19 mm
- Scan field 1514 mm
- Max. sensing range 14 m
- Operating voltage 11.8...12.2 VDC (from controller)
- Protection class IP65
- Adjustment via software

Functional principle

Measuring light screens are ideally suited for precise detection and inspection tasks such as product profiling, sizing, edge and centre guiding, hole and parts detection and the like. Each system consists of an emitter, receiver and a controller module, which is equipped with several switching and analogue outputs, depending on the specific version. The device also enables data transmission via RS232 or R485, either in a binary or ASCII code format. The scan times depend on the height of the measuring array and the adjusted scan mode. Detailed information can be taken from the instruction manual.

Type designation	BMEL6016A
Ident no.	3038549
Function	Opposed mode sensor (emitter)
Light type	IR
Wavelength	880 nm
Optical resolution	19 mm
Scan field	1505 mm
Number of beams	80
Ambient temperature	-20...+70 °C
Operating voltage	11.4...14 VDC
Approvals	CE
Approvals	cULus recognized
Approvals	CE
Design	Rectangular, Mini Array
Dimensions	38.1 x 38.1 x 1572 mm
Housing material	Metal, AL
Lens	plastic, Acrylic
Electrical connection	Connector, 7/8"
Protection class	IP65