
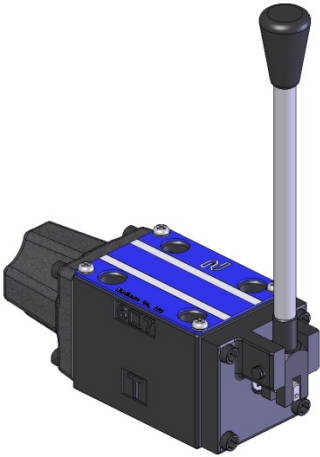
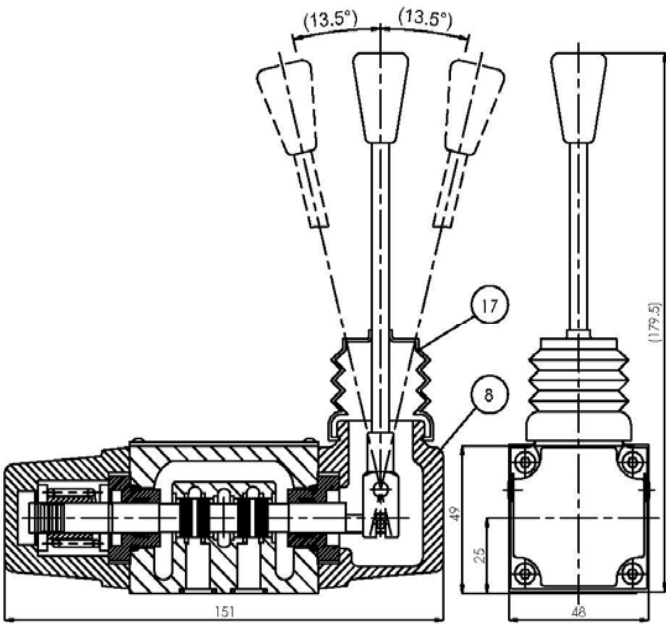
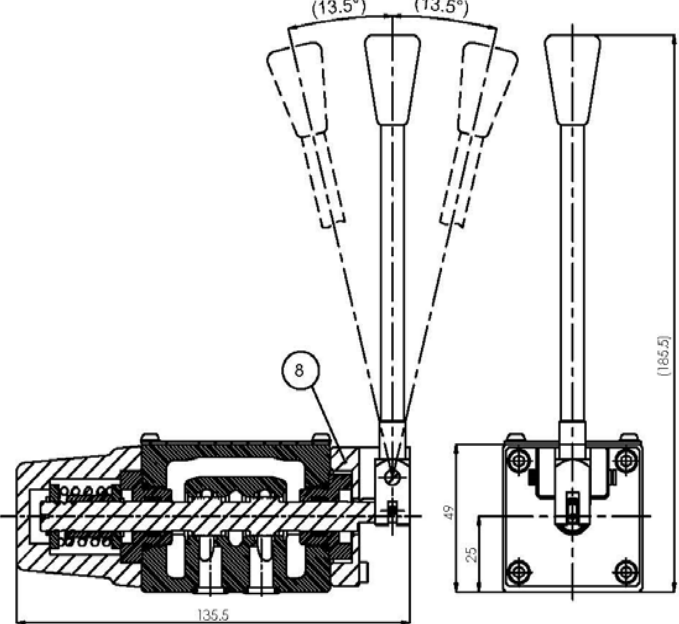


TYPE	HD-G02-*-10	HD-G02-*-20
Illustration		
Description	<p>1. We have optimized the front cover structure</p> <p>2. We have canceled the dust cover to avoid serious oxidation of the material due to operation in the open air environment. The damaged front cover will be easily to accumulate foreign matter and affects the valve actuation performance.</p>	
Installation Dimensions	 <p style="text-align: center;">HD-G02-10</p>	 <p style="text-align: center;">HD-G02-20</p>