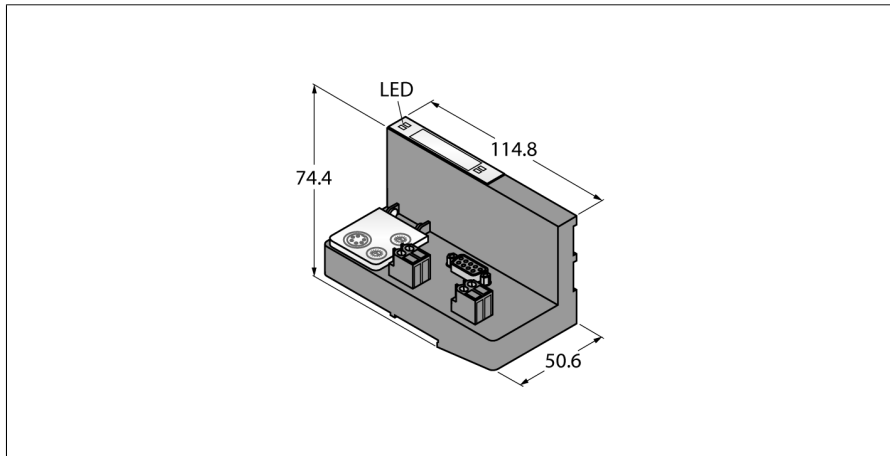


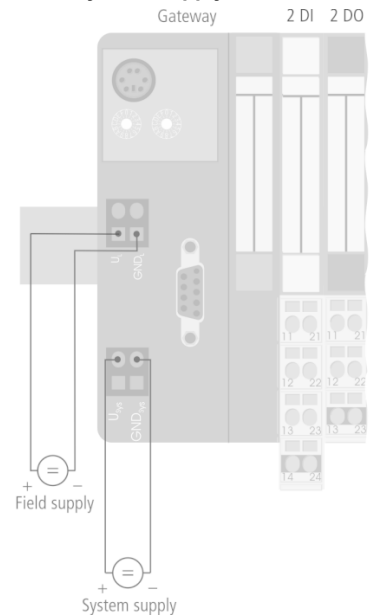
interface for PROFIBUS-DP incl. supply BL20-GWBR-PBDP



- Rotary coding switch to adjust the node address
- Protection class IP20
- 2 x end brackets BL20-WEW35/2-SW
- 1 x end plate BL20-ABPL
- Integrated power supply
- LEDs for display of supply voltage, group and bus errors
- Gateway between the BL20 system and PROFIBUS-DPV0
- 12 Mbps
- 9-pin sub-D female connector

Type designation	BL20-GWBR-PBDP
Ident-No.	6827164
Ident-No (TUSA)	M6827164
Supply voltage	24 VDC
System power supply	24 VDC / 5 VDC
Field supply	24 VDC
Admissible range	18...30 VDC
Nominal current from module bus	≤ 430 mA
Max. field supply current	10 A
Max. system supply current	1.2 A
Voltage supply connection	screw terminals
Fieldbus transmission rate	9.6 kbps ... 12 Mbps
Fieldbus addressing	2 rotary switches
Fieldbus address range	1...99
Fieldbus connection technology	1 x female sub-D connector
Fieldbus termination	external
Service Interface	PS/2 socket
Number of diagnostics bytes	3
Number of parameter bytes	5
Dimensions (W x L x H)	50.6 x 114.8 x 74.4mm
Approvals	CE, cULus, zone 2, Class I, Div. 2
Operating temperature	0 to +55 °C
Storage temperature	-25...+85 °C
Relative humidity	5 to 95% (internal), Level RH-2, no condensation (at 45 °C storage)
Vibration test	acc. to EN 61131
Shock test	acc. to IEC 68-2-27
Drop and topple	acc. to IEC 68-2-31 and free fall to IEC 68-2-32
Electro-magnetic compatibility	acc. to EN 50,082-2
Protection class	IP20
included in delivery	2 x end brackets BL20-WEW-35/2-SW, 1 x end plate BL20-ABPL

Field/System Supply



Functional principle

BL20 gateways are the head component of a BL20 station. They are designed to interface the modular fieldbus nodes to the higher level fieldbus (PROFIBUS-DP, DeviceNet, CANopen, Ethernet).

All BL20 electronic modules communicate over the internal module bus, the data of which is transferred to the fieldbus via the gateway, so that all I/O modules can be configured independently of the bus system.

interface for PROFIBUS-DP incl. supply
BL20-GWBR-PBDP



Wiring accessories

Type code	Ident-No.	Description	
FW-D9TLEDKU9PG-W-FC-ME-SH-8,5	6604220	PROFIBUS-DP field-wireable 9-pin Sub-D connector, male/female, angled, insulation displacement contact, metal housing, 12 Mbps, switchable terminating resistor	
FW-D9TLEDKU9XX-G-FC-ME-SH-8,5	6604221	PROFIBUS-DP field-wireable 9-pin Sub-D male, straight, cutting clamp contact, metal housing, 12 Mbps, switchable terminating resistor	
BL20-PS2-CABLE	6827133	RS232 service cable for Gateways with PS2 interface	
BS3511/KLBUE4-31.5	6827342	Shield terminal and strain relief for bus cable	