

TECHNICAL DATASHEET

Asynchronous Motor 4A 132M-4

Customer:	
Ref:	
Order:	
Motor:	
Serial nr:	
Date:	2024-06-19

Nameplate Data:

Code: 112137

Type: 4A 132M-4					
kW	Hz	V	A	Rpm	Cos
5,3	60	480D	15,4	1740	0,84
-	-	-	-	-	-
-	-	-	-	-	-
Eff.(100%) 50Hz	Duty	IE-class	Amb.temp.	IP rating	Iso.class
87,9	S1	IE1	-20° - +55°C	IP55	F/B
Nominal data S1-duty, Amb.temp 40°C:					
Voltage - V:	480	Mounting form:	B3		
Frequency - Hz:	60	Bearing DE:	6308-2Z/C3		
Power - kW:	9	Bearing NDE:	6308-2Z/C3		
Full load speed - rpm:	1740	Weight - kg:	55		
Full load current - A:	15,4	Heater:	No		
Full load power factor - Cos:	0,84	Th.Protection:	PTC mounted		
Locked rotor current - A:	108	Kgm ² :	0,0296		
Locked rotor factor - A _{st} /A _n :	7,0	Sound press.-db(A):	62		
Efficiency 100% load - %:	87,9	Cooling:	IC411		
Efficiency 75% load - %:	88,2	Over load/speed test:			
Efficiency 50% load - %:	87,2	H-pot test voltage:	2000		
Full load torque - Nm:	49,4	Temp rise in stator:	F		
Locked rotor torque - Nm:	114	Over load 160% - 15 sec			
Locked rotor torque - Nm _{st} /Nm _n :	2,3	kW:	12		
Max. Pull out torque - Nm:	114	Hz:	50		
Max. Pull out torque. - Nm _{st} /Nm _n :	2,3	V:	400		
Other:		A:	23,4		
		Rpm:	1408		
		Over speed 125% - 2 min			
		kW:	7,5		
		Hz:	63		
		V:	400		
		A:	14,0		
		Rpm:	1813		

The motor is produced in accordance with following harmonized standards:

IEC60034-1, IEC60034-2, IEC60034-5, IEC60034-6, IEC60034-7, IEC60034-8, IEC60034-9

IEC60034-12, IEC60034-14, IEC60034-30-2, IEC60072.

Additional specifications in accordance with:

RINA - GL - LRS - BV - DNV - ABS - KR - RR - CCS - CCC - RMRS.

TECHNICAL DATASHEET

**Asynchronous Motor
4A 132M-4**

Customer:	
Ref:	
Order:	
Motor:	
Serial nr:	
Date:	2024-06-19

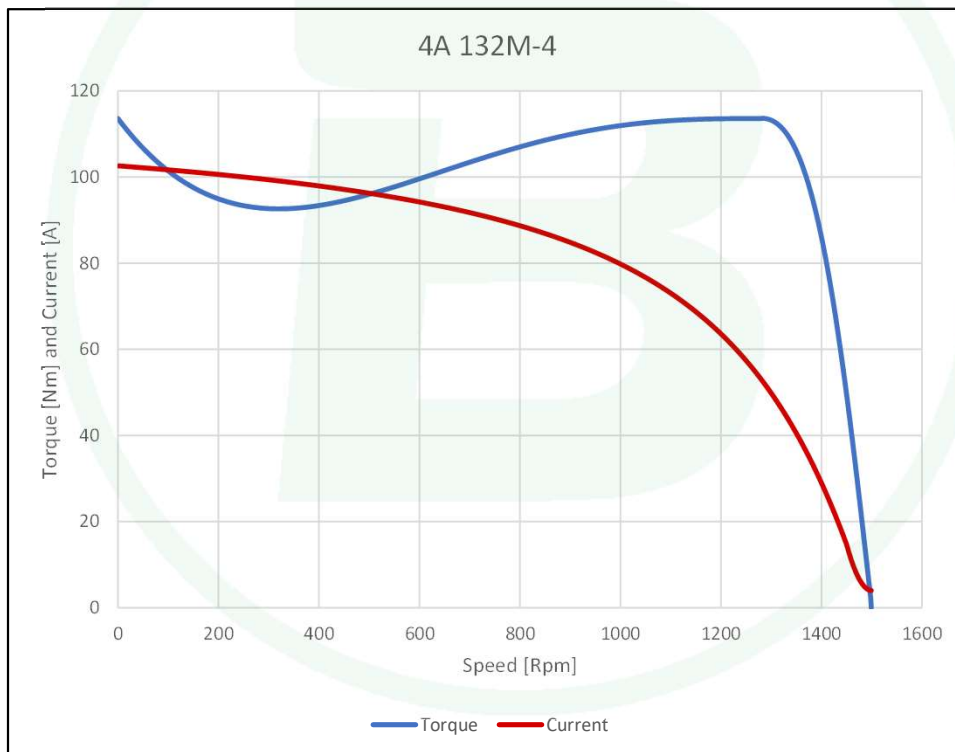
Motor data

Rated output [kW]	7,5	Full load torque [Nm]	49,4
Rated speed [r/min]	1450	Tstart / Tn	2,3
Rated current [A]	14,7	Tmax / Tn	2,3
Istart / In	7	Moment of inertia [kgm ²]	0,0296

Test conditions

Voltage [V] at 100%	400	Frequenzy [Hz] at 100%	50
---------------------	-----	------------------------	----

Starting curves



Please note that the graphs shown above are the result of a computer simulation.

They are not and do not provide any sort of guarantee or certainty regarding the performance of any individual motor in a real life scenario.



TECHNICAL DATASHEET

**Asynchronous Motor
4A 132M-4**

Customer:	
Ref:	
Order:	
Motor:	
Serial nr:	
Date:	2024-06-19

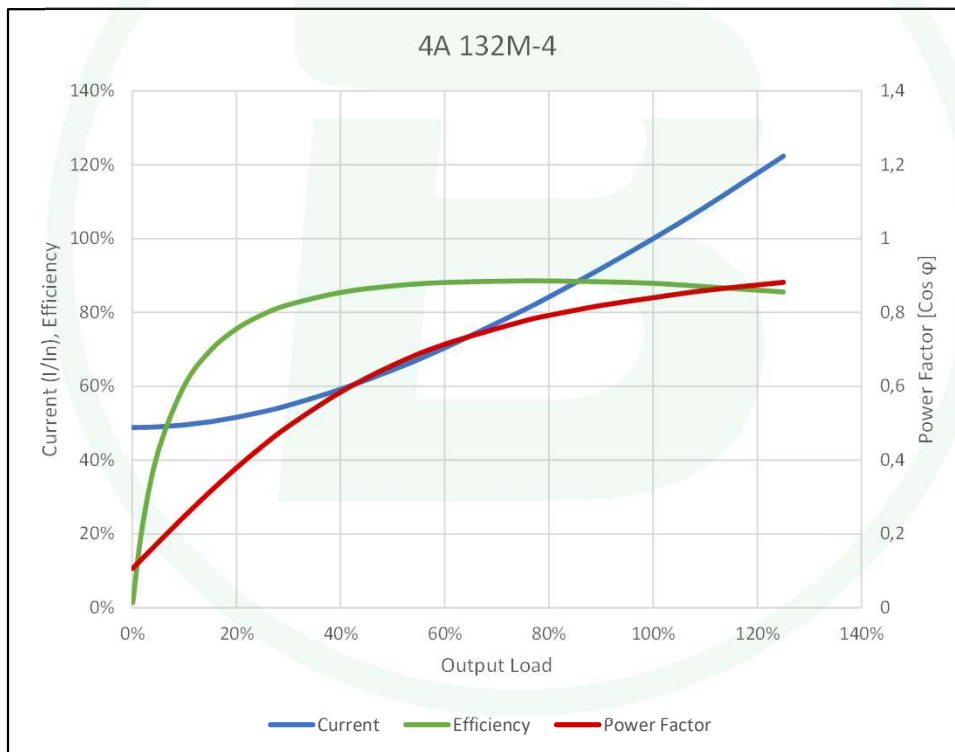
Motor data

Rated output [kW]	7,5	Power factor at P _n [Cos φ]	0,84
Rated speed [r/min]	1450	Efficiency at P _n	87,9
Rated current [A]	14,7		
I _{start} / I _n	7		

Test conditions

Voltage [V] at 100%	400	Frequenzy [Hz] at 100%	50
---------------------	-----	------------------------	----

Load curves



Please note that the graphs shown above are the result of a computer simulation.

They are not and do not provide any sort of guarantee or certainty regarding the performance of any individual motor in a real life scenario.

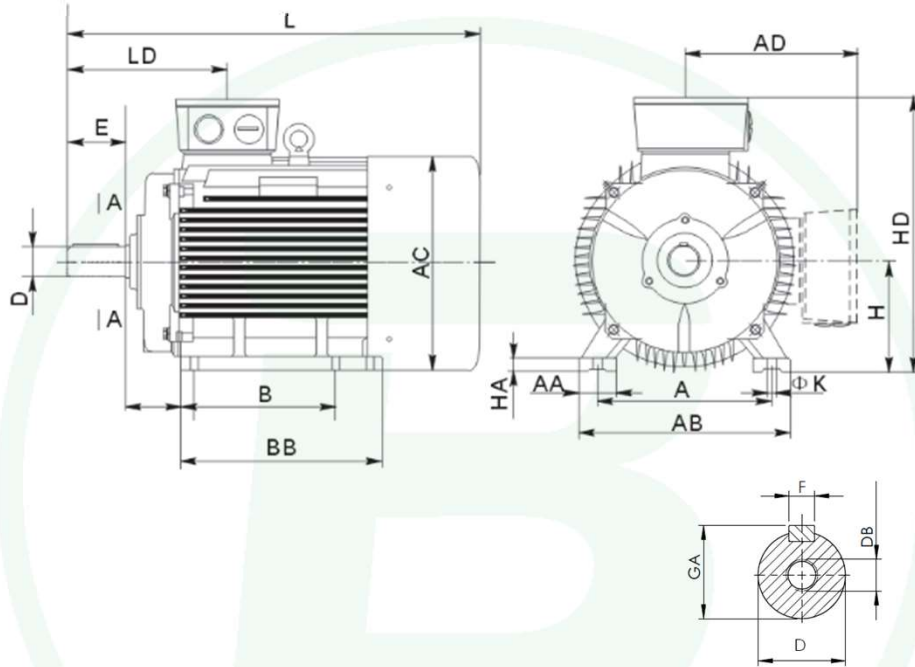


TECHNICAL DATASHEET

**Asynchronous Motor
4A 132M-4**

Customer:	
Ref:	
Order:	
Motor:	
Serial nr:	
Date:	2024-06-19

Foot mounted motor 4A 132M-4 B3



Unit: mm

A:	216	HD:	334	E:	80
B:	178	C:	89	D:	38
AB:	260	H:	132	GA:	41
AC:	258	K:	12	DB:	M12
AD:	202	L:	500	F:	10
LD:	179				