

## 3/2 DIRECT ACTING SOLENOID VALVE

TYPE	PRESSURE	UNI
30301	0 - 14 bar	
30310	0 - 32 bar	

TYPE	PRESSURE	NO
30201	0 - 20 bar	
30206	0 - 63 bar	

TYPE	PRESSURE	NC
30125	0 - 20 bar	
30126	0 - 63 bar	

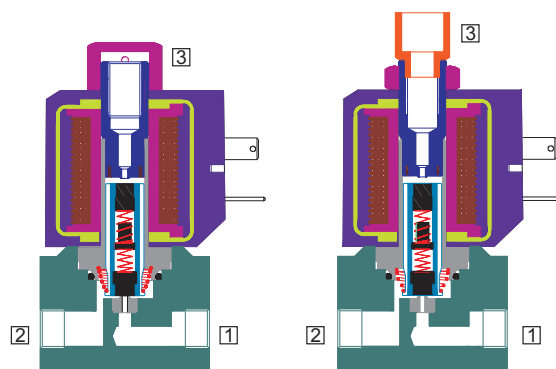
### FEATURES

- Bubble tight shut off
- Mounts in any position
- Suitable for vacuum up to 10<sup>-6</sup> torr
- Vibration resistance up to 9g
- Suitable for high speed cycling
- Speed up to 1000 cycles/ min
- Life >10 million cycles
- Manual override optionally provided



### WETTED PARTS

Code	⊗	B2	B5
Body	Anodized Aluminium	Brass	SS 316
Internals	Aluminium	Brass	SS 316
Guide Assembly	SS 304		
Shadow-Ring	Copper/ Silver/ None		
Plunger, Insert	SS 430		
Spring	SS 302		
Seat, Seals	NBR, Viton, EPDM		



### AMBIENT AND FLUID TEMPERATURE

-20 °C to 80 °C

### SPECIAL VERSION AND SUFFIX

Suffix : (Valve) OX, AM, WO  
Special version : (Coil) CO, FR, SS, LC, III, TM

### MEDIA

Air, Inert Gases, Water, Vacuum, Free Flowing Liquid, Oil, Diesel, Kerosene, LPG, Furnace Oil

### APPLICATION

Single acting actuator/ Cylinder/ control valve actuation  
Diverting/ mixing of fluid

### PORT CONNECTION

FUNCTION	INLET	OUTLET	EXHAUST
NC	1	2	3
NO	3	2	1
Mixing	1 and 3	2	
Diverting	2	1 and 3	

Contact Rotex for

- Any other ambient, fluid temperature, media and application
- UL listed, Listed general purpose Valve
- SIL4 approved valve



Specifications are subject to change without notice.

### SPARES

(Refer page 25 for ordering code)

SPARE KIT	CODE
Seal Kit : Oring Set and Plunger Assembly	98
Repair Kit : Oring Set, Plunger Assembly, Springs, Manual Override	99
Solenoid Kit : Solenoid, Gasket and Nut	34

### APPROVAL

(\* applied for)

Approval	Nema 4X	IP67	Ex d IIC T4 or T5 or T6 IP66	Ex ia IIC T6 IP67	DGMS	CCOE
		✓	✓	✓	✓	✓
		✓	✓	✓		
	✓		*			
			✓	✓		
			✓	✓		
			✓	✓		



## 3/2 DIRECT ACTING SOLENOID VALVE

### SPECIFICATION

PORT CONNECTION			PRE-SSURE bar		ORIFICE (mm) FLOW FACTOR kv (LPM OF WATER @ 1 bar ΔP)	VALVE TYPE	PILOT PRESSURE	BODY MATERIAL AND INTERNALS						SEALS					MANUAL OVERRIDE		SOLENOID ENCLOSURE				SUFFIX		POWER VA			CONSTRUCTION REFERENCE NUMBER
SIZE	BSP(F)	NPT(F)	MINIMUM	MAXIMUM				ALUMINIUM	ALUMINIUM + SS	BRASS (STD PORT NPT)	SS 316/CF8M (STD PORT NPT)	NBR	Viton	EPDM	HYTREL	PTFE	NIL	STAYPUT CUM MOMENTARY	FLYING LEAD	PLUG IN, IP67	SQ. PLUG IN, IP67	TERMINAL BOX IP67	FPJB Ex d IIC, T4 OR T6, IP67	LARGE ENCLOSURE	SOLENOID SIZE	OXYGEN	AMONIA	AC INRUSH	AC HOLDING	

#### 3/2 NORMALLY CLOSED

1/8"	1G	1R	0 4 3 4 30125	*	B2 B5	* S2 S1		S8	*	M6 M8	F 22	25	T E	III 14	✓	✓	18 12	8	A
			0 6 4 7 30126	*	B2 B5	* S2 S1		S8	*	M6 M8	F 22	25	T E	III 14	✓	✓	13 13	13	C
			0 10 1.8 1.8 30125	*	B2 B5	* S2 S1		S8	*	M6 M8	F 22	25	T E	III 14	✓	✓	18 12	8	A
			0 12 3 4 30126	*	B2 B5	* S2 S1		S8	*	M6 M8	F 22	25	T E	III 14	✓	✓	13 13	13	C
			0 25 2.2 2.5 30126	*	B2 B5	* S2 S1		S8	*	M6 M8	F 22	25	T E	III 14	✓	✓	13 13	13	C
1/4"	2G	2R	0 4 3 4 30125	*	B2 B5	* S2 S1		S8	*	M6 M8	F 22	25	T E	III 14	✓	✓	18 12	8	A
			0 6 2.5 3.5 30125	*	B2 B5	* S2 S1		S8	*	M6 M8	F 22	25	T E	III 14	✓	✓	18 12	8	A
			0 6 4 7 30126	*	B2 B5	* S2 S1		S8	*	M6 M8	F 22	25	T E	III 14	✓	✓	13 13	13	C
			0 8 2.2 2.5 30125	*	B2 B5	* S2 S1		S8	*	M6 M8	F 22	25	T E	III 14	✓	✓	18 12	8	A
			0 8 3.5 5 30126	*	B2 B5	* S2 S1		S8	*	M6 M8	F 22	25	T E	III 14	✓	✓	13 13	13	C
			0 12 3 4 30126	*	B2 B5	* S2 S1		S8	*	M6 M8	F 22	25	T E	III 14	✓	✓	13 13	13	C
			0 15 1.6 1.8 30125	*	B2 B5	* S2 S1		S8	*	M6 M8	F 22	25	T E	III 14	✓	✓	18 12	8	A
			0 16 2.5 3.5 30126	*	B2 B5	* S2 S1		S8	*	M6 M8	F 22	25	T E	III 14	✓	✓	13 13	13	C
			0 20 1.2 0.7 30125	*	B2 B5	* S2 S1		S8	*	M6 M8	F 22	25	T E	III 14	✓	✓	18 12	8	A
			0 25 2.2 2.5 30126	*	B2 B5	* S2 S1		S8	*	M6 M8	F 22	25	T E	III 14	✓	✓	13 13	13	C
3/8"	3G	3R	0 4 3 4 30125	*	B2 B5	* S2 S1		S8	*	M6 M8	F 22	25	T E	III 14	✓	✓	18 12	8	B
			0 6 4 7 30126	*	B2 B5	* S2 S1		S8	*	M6 M8	F 22	25	T E	III 14	✓	✓	13 13	13	D
			0 10 1.8 1.8 30125	*	B2 B5	* S2 S1		S8	*	M6 M8	F 22	25	T E	III 14	✓	✓	18 12	8	B
			0 12 3 4 30126	*	B2 B5	* S2 S1		S8	*	M6 M8	F 22	25	T E	III 14	✓	✓	13 13	13	D
			0 25 2.2 2.5 30126	*	B2 B5	* S2 S1		S8	*	M6 M8	F 22	25	T E	III 14	✓	✓	13 13	13	D
1/2"	4G	4R	0 4 3 4 30125	*	B2 B5	* S2 S1		S8	*	M6 M8	F 22	25	T E	III 14	✓	✓	18 12	8	B
			0 6 2.5 3.5 30125	*	B2 B5	* S2 S1		S8	*	M6 M8	F 22	25	T E	III 14	✓	✓	18 12	8	B
			0 6 4 7 30126	*	B2 B5	* S2 S1		S8	*	M6 M8	F 22	25	T E	III 14	✓	✓	13 13	13	D
			0 8 2.2 2.5 30125	*	B2 B5	* S2 S1		S8	*	M6 M8	F 22	25	T E	III 14	✓	✓	18 12	8	B
			0 8 3.5 5 30126	*	B2 B5	* S2 S1		S8	*	M6 M8	F 22	25	T E	III 14	✓	✓	13 13	13	D
			0 12 3 4 30126	*	B2 B5	* S2 S1		S8	*	M6 M8	F 22	25	T E	III 14	✓	✓	13 13	13	D
			0 15 1.6 1.8 30125	*	B2 B5	* S2 S1		S8	*	M6 M8	F 22	25	T E	III 14	✓	✓	18 12	8	B
			0 16 2.5 3.5 30126	*	B2 B5	* S2 S1		S8	*	M6 M8	F 22	25	T E	III 14	✓	✓	13 13	13	D
			0 20 1.2 0.7 30125	*	B2 B5	* S2 S1		S8	*	M6 M8	F 22	25	T E	III 14	✓	✓	18 12	8	B
			0 25 2.2 2.5 30126	*	B2 B5	* S2 S1		S8	*	M6 M8	F 22	25	T E	III 14	✓	✓	13 13	13	D
			0 32 1.8 1.8 30126	*	B2 B5	* S2 S1		S8	*	M12 M5	F 25	25	T E	18	✓	✓	13 13	13	D
			0 63 1.2 0.7 30126	*	B2 B5				S8	*	M11 M4	F 25	25	T E	18	✓	✓	13 13	13

Cable Entry	T	E	F
M20 x 1.5	19	39	*
1/2" NPT	16	37	01

\* = Do not specify when opted for  
 ✓ = Options available

Code	Construction Reference
A	301, 303
B	302, 304
C	305, 307
D	306, 308

## 3/2 DIRECT ACTING SOLENOID VALVE

### SPECIFICATION

PORT CONNECTION			PRE-SSURE bar		ORIFICE (mm)	FLOW FACTOR kv (LPM OF WATER @ 1 bar AP)	VALVE TYPE	PILOT PRESSURE	BODY MATERIAL AND INTERNALS						SEALS					MANUAL OVERRIDE		SOLENOID ENCLOSURE				SUFFIX		POWER VA			CONSTRUCTION REFERENCE NUMBER
SIZE	BSP(F)	NPT(F)	MINIMUM	MAXIMUM					ALUMINIUM	ALUMINIUM + SS	BRASS (STD. PORT NPT)	SS 316/CF8M (STD. PORT NPT)	NBR	Viton	EPDM	HYTREL	PTFE	NIL	STAYPUT CUM MOMENTARY	MOMENTARY	FLYING LEAD	PLUG IN, IP67	SQ. PLUG IN, IP67	TERMINAL BOX IP67	FP,IB Ex.d IIC, T4 OR T6, IP67	LARGE ENCLOSURE	SOLENOID SIZE	OXYGEN	AMONIA	AC INRUSH	

#### 3/2 NORMALLY OPEN

1/8"	1G	1R	0 4 3 4	30201	*	B2	B5	*	S2	S1				*	M6	M8	F	22	25	T	E	III	14	✓	✓	18	12	8	E	
			0 6 4 7	30206	*	B2	B5	*	S2	S1					*	M6	M8	F		25	T	E		18	✓	✓	13	13	13	G
			0 10 1.8 1.8	30201	*	B2	B5	*	S2	S1					*	M6	M8	F	22	25	T	E	III	14	✓	✓	18	12	8	E
			0 12 3 4	30206	*	B2	B5	*	S2	S1					*	M6	M8	F		25	T	E		18	✓	✓	13	13	13	G
			0 25 2.2 2.5	30206	*	B2	B5	*	S2	S1					*	M6	M8	F		25	T	E		18	✓	✓	13	13	13	G
1/4"	2G	2R	0 4 3 4	30201	*	B2	B5	*	S2	S1				*	M6	M8	F	22	25	T	E	III	14	✓	✓	18	12	8	E	
			0 6 2.5 3.5	30201	*	B2	B5	*	S2	S1					*	M6	M8	F	22	25	T	E	III	14	✓	✓	18	12	8	E
			0 6 4 7	30206	*	B2	B5	*	S2	S1		S8	*	M6	M8	F		25	T	E		18	✓	✓	13	13	13	G		
			0 8 2.2 2.5	30201	*	B2	B5	*	S2	S1					*	M6	M8	F	22	25	T	E	III	14	✓	✓	18	12	8	E
			0 8 3.5 5	30206	*	B2	B5	*	S2	S1		S8	*	M6	M8	F		25	T	E		18	✓	✓	13	13	13	G		
			0 12 3 4	30206	*	B2	B5	*	S2	S1		S8	*	M6	M8	F		25	T	E		18	✓	✓	13	13	13	G		
			0 15 1.6 1.8	30201	*	B2	B5	*	S2	S1					*	M6	M8	F	22	25	T	E	III	14	✓	✓	18	12	8	E
			0 16 2.5 3.5	30206	*	B2	B5	*	S2	S1		S8	*	M6	M8	F		25	T	E		18	✓	✓	13	13	13	G		
			0 20 1.2 0.7	30201	*	B2	B5	*	S2	S1					*	M6	M8	F	22	25	T	E	III	14	✓	✓	18	12	8	E
			0 25 2.2 2.5	30206	*	B2	B5	*	S2	S1		S8	*	M6	M8	F		25	T	E		18	✓	✓	13	13	13	G		
0 32 1.8 1.8	30206	*	B2	B5	*	S2	S1		S8	*	M12	M5	F		25	T	E		18	✓	✓	13	13	13	G					
0 63 1.2 0.7	30206	*	B2	B5					*	*	M11	M4	F		25	T	E		18	✓	✓	13	13	13	G					
3/8"	3G	3R	0 4 3 4	30201	*	B2	B5	*	S2	S1				*	M6	M8	F	22	25	T	E	III	14	✓	✓	18	12	8	F	
			0 6 4 7	30206	*	B2	B5	*	S2	S1					*	M6	M8	F		25	T	E		18	✓	✓	13	13	13	H
			0 10 1.8 1.8	30201	*	B2	B5	*	S2	S1					*	M6	M8	F	22	25	T	E	III	14	✓	✓	18	12	8	F
			0 12 3 4	30206	*	B2	B5	*	S2	S1					*	M6	M8	F		25	T	E		18	✓	✓	13	13	13	H
			0 25 2.2 2.5	30206	*	B2	B5	*	S2	S1					*	M6	M8	F		25	T	E		18	✓	✓	13	13	13	H
1/2"	4G	4R	0 4 3 4	30201	*	B2	B5	*	S2	S1				*	M6	M8	F	22	25	T	E	III	14	✓	✓	18	12	8	F	
			0 6 2.5 3.5	30201	*	B2	B5	*	S2	S1		S8	*	M6	M8	F	22	25	T	E	III	14	✓	✓	18	12	8	F		
			0 6 4 7	30206	*	B2	B5	*	S2	S1					*	M6	M8	F		25	T	E		18	✓	✓	13	13	13	H
			0 8 2.2 2.5	30201	*	B2	B5	*	S2	S1		S8	*	M6	M8	F	22	25	T	E	III	14	✓	✓	18	12	8	F		
			0 8 3.5 5	30206	*	B2	B5	*	S2	S1					*	M6	M8	F		25	T	E		18	✓	✓	13	13	13	H
			0 12 3 4	30206	*	B2	B5	*	S2	S1		S8	*	M6	M8	F		25	T	E		18	✓	✓	13	13	13	H		
			0 15 1.6 1.8	30201	*	B2	B5	*	S2	S1					*	M6	M8	F	22	25	T	E	III	14	✓	✓	18	12	8	F
			0 16 2.5 3.5	30206	*	B2	B5	*	S2	S1		S8	*	M6	M8	F		25	T	E		18	✓	✓	13	13	13	H		
			0 20 1.2 0.7	30201	*	B2	B5	*	S2	S1					*	M6	M8	F	22	25	T	E	III	14	✓	✓	18	12	8	F
			0 25 2.2 2.5	30206	*	B2	B5	*	S2	S1					*	M6	M8	F		25	T	E		18	✓	✓	13	13	13	H
0 32 1.8 1.8	30206	*	B2	B5	*	S2	S1		S8	*	M12	M5	F		25	T	E		18	✓	✓	13	13	13	H					
0 63 1.2 0.7	30206	*	B2	B5					*	*	M11	M4	F		25	T	E		18	✓	✓	13	13	13	H					

Cable Entry	T	E	F
M20 x 1.5	19	39	*
1/2" NPT	16	37	01

\* = Do not specify when opted for  
 ✓ = Options available

Code	Construction Reference
E	309, 311
F	310, 312
G	313, 315
H	314, 316

## 3/2 DIRECT ACTING SOLENOID VALVE

### SPECIFICATION

PORT CONNECTION			PRE-SSURE bar		ORIFICE (mm)	FLOW FACTOR kv (LPM OF WATER @ 1 bar ΔP)	VALVE TYPE	PILOT PRESSURE	BODY MATERIAL AND INTERNALS					SEALS				MANUAL OVERRIDE		SOLENOID ENCLOSURE				SUFFIX		POWER VA			CONSTRUCTION REFERENCE NUMBER		
SIZE	BSP(F)	NPT(F)	MINIMUM	MAXIMUM					ALUMINIUM	ALUMINIUM + SS	BRASS (STD PORT NPT)	SS 316/CF8M (STD. PORT NPT)	NBR	Viton	EPDM	HYTREL	PTFE	NIL	STAYPUT CUM MOMENTARY	FLYING LEAD	PLUG IN, IP67	SQ. PLUG IN, IP67	TERMINAL BOX IP67	FPJB Ex d IIC, T4 OR T6, IP67	LARGE ENCLOSURE	SOLENOID SIZE	OXYGEN	AMONIA		AC INRUSH	AC HOLDING
<b>3/2 UNIVERSAL</b>																															
1/8"	1G	1R	0 1.5 3 4	30301	*	B2 B5	* S2 S1						*	M6 M8	F 22	25	T E	III	14	✓	✓	18	12	8	I						
			0 3.5 4 7	30310	*	B2 B5	* S2 S1								*	M6 M8	F	25	T E		18	✓	✓	13	13	13	K				
			0 8 1.8 1.8	30301	*	B2 B5	* S2 S1								*	M6 M8	F 22	25	T E	III	14	✓	✓	18	12	8	I				
			0 8 3 4	30310	*	B2 B5	* S2 S1								*	M6 M8	F	25	T E		18	✓	✓	13	13	13	K				
			0 12 2.2 2.5	30310	*	B2 B5	* S2 S1								*	M6 M8	F	25	T E		18	✓	✓	13	13	13	K				
1/4"	2G	2R	0 1.5 3 4	30301	*	B2 B5	* S2 S1						*	M6 M8	F 22	25	T E	III	14	✓	✓	18	12	8	I						
			0 3.5 4 7	30310	*	B2 B5	* S2 S1		S8	*	M6 M8	F	25	T E		18	✓	✓	13	13	13	K									
			0 4 2.5 3.5	30301	*	B2 B5	* S2 S1			*	M6 M8	F 22	25	T E	III	14	✓	✓	18	12	8	I									
			0 5 2.2 2.5	30301	*	B2 B5	* S2 S1			*	M6 M8	F 22	25	T E	III	14	✓	✓	18	12	8	I									
			0 5 3.5 5	30310	*	B2 B5	* S2 S1		S8	*	M6 M8	F	25	T E		18	✓	✓	13	13	13	K									
			0 8 3 4	30310	*	B2 B5	* S2 S1		S8	*	M6 M8	F	25	T E		18	✓	✓	13	13	13	K									
			0 10 1.6 1.8	30301	*	B2 B5	* S2 S1			*	M6 M8	F 22	25	T E	III	14	✓	✓	18	12	8	I									
			0 10 2.5 3.5	30310	*	B2 B5	* S2 S1		S8	*	M6 M8	F	25	T E		18	✓	✓	13	13	13	K									
			0 12 2.2 2.5	30310	*	B2 B5	* S2 S1		S8	*	M6 M8	F	25	T E		18	✓	✓	13	13	13	K									
			0 14 1.2 0.7	30301	*	B2 B5	* S2 S1			*	M6 M8	F 22	25	T E	III	14	✓	✓	18	12	8	I									
			0 16 1.8 1.8	30310	*	B2 B5	* S2 S1		S8	*	M6 M8	F	25	T E		18	✓	✓	13	13	13	K									
0 32 1.2 0.7	30310	*	B2 B5	* S2 S1		S8	*	M12 M5	F	25	T E		18	✓	✓	13	13	13	K												
3/8"	3G	3R	0 1.5 3 4	30301	*	B2 B5	* S2 S1						*	M6 M8	F 22	25	T E	III	14	✓	✓	18	12	8	J						
			0 3.5 4 7	30310	*	B2 B5	* S2 S1			*	M6 M8	F	25	T E		18	✓	✓	13	13	13	L									
			0 8 1.8 1.8	30301	*	B2 B5	* S2 S1			*	M6 M8	F 22	25	T E	III	14	✓	✓	18	12	8	J									
			0 8 3 4	30310	*	B2 B5	* S2 S1			*	M6 M8	F	25	T E		18	✓	✓	13	13	13	L									
			0 12 2.2 2.5	30310	*	B2 B5	* S2 S1			*	M6 M8	F	25	T E		18	✓	✓	13	13	13	L									
1/2"	4G	4R	0 1.5 3 4	30301	*	B2 B5	* S2 S1						*	M6 M8	F 22	25	T E	III	14	✓	✓	18	12	8	J						
			0 3.5 4 7	30310	*	B2 B5	* S2 S1			*	M6 M8	F	25	T E		18	✓	✓	13	13	13	L									
			0 4 2.5 3.5	30301	*	B2 B5	* S2 S1			*	M6 M8	F 22	25	T E	III	14	✓	✓	18	12	8	J									
			0 5 2.2 2.5	30301	*	B2 B5	* S2 S1			*	M6 M8	F 22	25	T E	III	14	✓	✓	18	12	8	J									
			0 5 3.5 5	30310	*	B2 B5	* S2 S1			*	M6 M8	F	25	T E		18	✓	✓	13	13	13	L									
			0 8 3 4	30310	*	B2 B5	* S2 S1			*	M6 M8	F	25	T E		18	✓	✓	13	13	13	L									
			0 10 1.6 1.8	30301	*	B2 B5	* S2 S1			*	M6 M8	F 22	25	T E	III	14	✓	✓	18	12	8	J									
			0 10 2.5 3.5	30310	*	B2 B5	* S2 S1			*	M6 M8	F	25	T E		18	✓	✓	13	13	13	L									
			0 12 2.2 2.5	30310	*	B2 B5	* S2 S1			*	M6 M8	F	25	T E		18	✓	✓	13	13	13	L									
			0 14 1.2 0.7	30301	*	B2 B5	* S2 S1			*	M6 M8	F 22	25	T E	III	14	✓	✓	18	12	8	J									
			0 16 1.8 1.8	30310	*	B2 B5	* S2 S1			*	M6 M8	F	25	T E		18	✓	✓	13	13	13	L									
0 32 1.2 0.7	30310	*	B2 B5	* S2 S1		S8	*	M12 M5	F	25	T E		18	✓	✓	13	13	13	L												

Cable Entry	T	E	F	* = Do not specify when opted for
M20 x 1.5	19	39	Flying lead IP 54	* ✓ = Options available
1/2" NPT	16	37	Flying lead IP 67	01

Code	Construction Reference
I	309, 311
J	310, 312
K	313, 315
L	314, 316

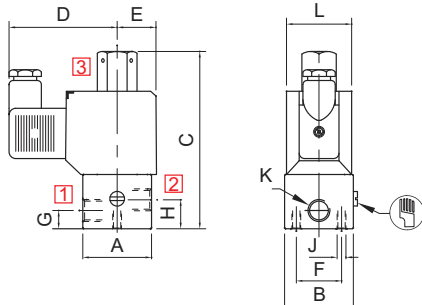
### ORDERING CODE AND EXAMPLE VALVE + SOLENOID

TYPE - SUFFIX - ORIFICE - PORT CONNECTION - BODY AND INTERNALS - MANUAL OVERRIDE - SEAL + SIZE - VOLTAGE - CURRENT - SOLENOID ENCLOSURE - APPROVAL - INSULATION - SPECIAL VERSION  
 e.g. 30125-1.8-2G+24V DC - 22; 30301-1.6-2R-B5-S1+220V DC-37-III

## 3/2 DIRECT ACTING SOLENOID VALVE

### DIMENSIONS

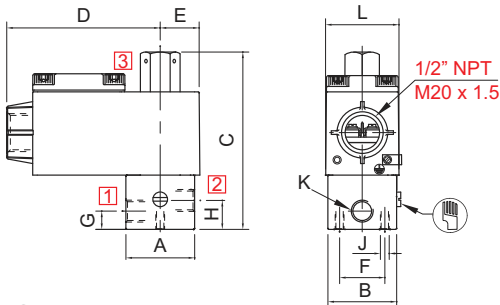
All Dimensions are in mm



#### PLUG IN SOLENOID TYPE 22

K (PORT SIZE)	A	B	C	D	E	F	G	H	J	L	BODY MATL.	CONST. REF.
VALVE TYPE : 30125												
1/8", 1/4"	38	38	98	60	25	25	10	16	M6	36	AL, BR	301
3/8", 1/2"	60	38	106	60	25	25	20.5	20.5	M6	36	AL, BR	302
1/8", 1/4"	44	Ø48	102	60	25	25	17	10.5	M6	36	SS	303
3/8", 1/2"	58	Ø62	111	60	25	25	14	14	M6	36	SS	304

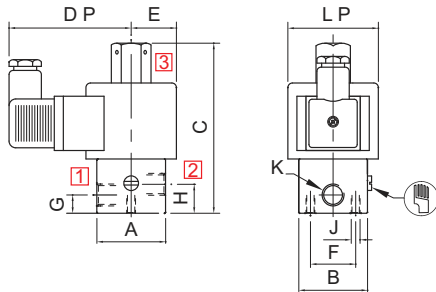
MANUAL OVERRIDE OPTIONALLY PROVIDED



#### TERMINAL BOX/ Ex d ENCLOSURE, TYPE 16, 19, 37, 39

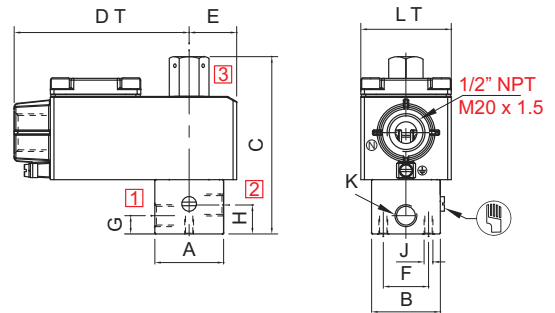
K (PORT SIZE)	A	B	C	D	E	F	G	H	J	L	BODY MATL.	CONST. REF.
VALVE TYPE : 30125												
1/8", 1/4"	38	38	98	85	25	25	10	16	M6	41	AL, BR	301
3/8", 1/2"	60	38	106	85	25	25	20.5	20.5	M6	41	AL, BR	302
1/8", 1/4"	44	Ø48	102	85	25	25	17	10.5	M6	41	SS	303
3/8", 1/2"	58	Ø62	111	85	25	25	14	14	M6	41	SS	304

MANUAL OVERRIDE OPTIONALLY PROVIDED



MANUAL OVERRIDE OPTIONALLY PROVIDED

#### SQUARE PLUG IN SOLENOID TYPE 25



MANUAL OVERRIDE OPTIONALLY PROVIDED

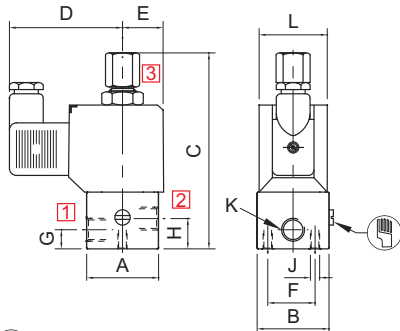
#### TERMINAL BOX/ Ex d LARGE ENCLOSURE, TYPE 16, 19, 37, 39, LC

K (PORT SIZE)	A	B	C	DP	DT	E	F	G	H	J	LP	LT	BODY MATL.	CONST. REF.
VALVE TYPE : 30125														
1/8", 1/4"	38	38	98	66	97	25	25	10	16	M6	Ø50	50	AL, BR	301
3/8", 1/2"	60	38	106	66	97	25	25	20.5	20.5	M6	Ø50	50	AL, BR	302
1/8", 1/4"	44	Ø48	102	66	97	25	25	17	10.5	M6	Ø50	50	SS	303
3/8", 1/2"	58	Ø62	111	66	97	25	25	14	14	M6	Ø50	50	SS	304
VALVE TYPE : 30126														
1/8", 1/4"	50	50	110	68	103	25	25	10.5	17	M6	Ø50	50	AL, BR	305
3/8", 1/2"	65	50	110	68	103	32	25	14	14	M6	Ø50	50	AL, BR	306
1/8", 1/4"	44	Ø48	102	68	103	25	25	10.5	17	M6	Ø50	50	SS	307
3/8", 1/2"	58	Ø62	102	68	103	32	25	14	14	M6	Ø50	50	SS	308

## 3/2 DIRECT ACTING SOLENOID VALVE

### DIMENSIONS

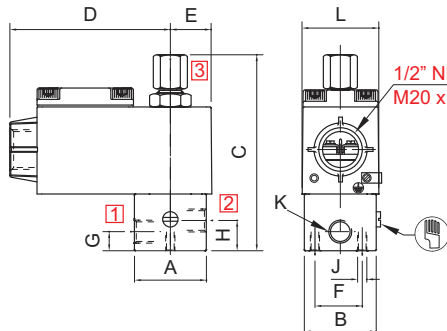
All Dimensions are in mm



MANUAL OVERRIDE OPTIONALLY PROVIDED

#### PLUG IN SOLENOID TYPE 22

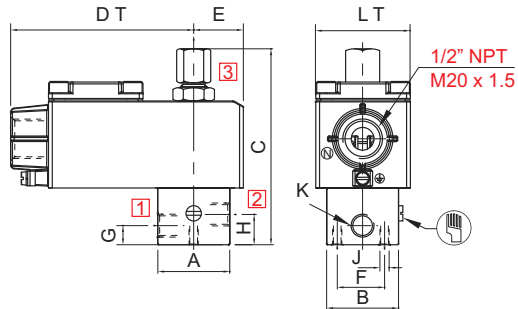
K (PORT SIZE)	A	B	C	D	E	F	G	H	J	L	BODY MATL.	CONST. REF.
VALVE TYPE : 30201, 30301												
1/8", 1/4"	38	38	98	60	22	25	10	16	M6	36	AL, BR	309
3/8", 1/2"	60	38	106	60	22	25	20.5	20.5	M6	36	AL, BR	310
1/8", 1/4"	44	Ø48	102	60	22	25	17	10.5	M6	36	SS	311
3/8", 1/2"	58	Ø62	111	60	22	25	14	14	M6	36	SS	312



MANUAL OVERRIDE OPTIONALLY PROVIDED

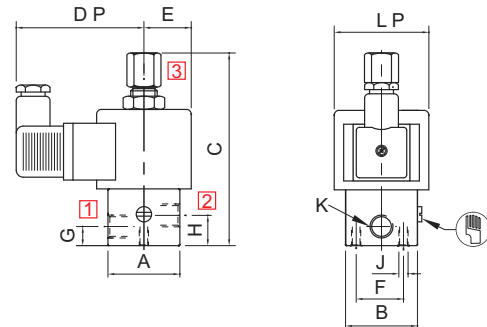
#### TERMINAL BOX/ Ex d ENCLOSURE, TYPE 16, 19, 37, 39

K (PORT SIZE)	A	B	C	D	E	F	G	H	J	L	BODY MATL.	CONST. REF.
VALVE TYPE : 30201, 30301												
1/8", 1/4"	38	38	102	85	22	25	10	16	M6	41	AL, BR	309
3/8", 1/2"	60	38	106	85	22	25	20.5	20.5	M6	41	AL, BR	310
1/8", 1/4"	44	Ø48	102	85	22	25	17	10.5	M6	41	SS	311
3/8", 1/2"	58	Ø62	111	85	22	25	14	14	M6	41	SS	312



MANUAL OVERRIDE OPTIONALLY PROVIDED

#### TERMINAL BOX/ Ex d LARGE ENCLOSURE, TYPE 16, 19, 37, 39, LC



MANUAL OVERRIDE OPTIONALLY PROVIDED

#### SQUARE PLUG IN SOLENOID TYPE 25

K (PORT SIZE)	A	B	C	DT	DP	E	F	G	H	J	LP	LT	BODY MATL.	CONST. REF.
VALVE TYPE : 30201, 30301														
1/8", 1/4"	38	38	98	97	66	26	25	10	16	M6	Ø50	50	AL, BR	309
3/8", 1/2"	60	38	106	97	66	26	25	20.5	20.5	M6	Ø50	50	AL, BR	310
1/8", 1/4"	44	Ø48	102	97	66	26	25	17	10.5	M6	Ø50	50	SS	311
3/8", 1/2"	58	Ø62	111	97	66	26	25	14	14	M6	Ø50	50	SS	312
VALVE TYPE : 30206, 30310														
1/8", 1/4"	50	50	124	103	68	28	25	10	17	M6	Ø50	50	AL, BR	313
3/8", 1/2"	65	50	124	103	68	28	25	14	14	M6	Ø50	50	AL, BR	314
1/8", 1/4"	50	50	124	103	68	28	25	10	17	M6	Ø50	50	SS	315
3/8", 1/2"	65	50	124	103	68	28	25	14	14	M6	Ø50	50	SS	316