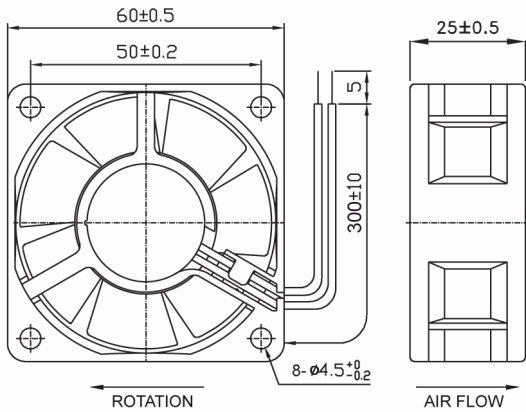
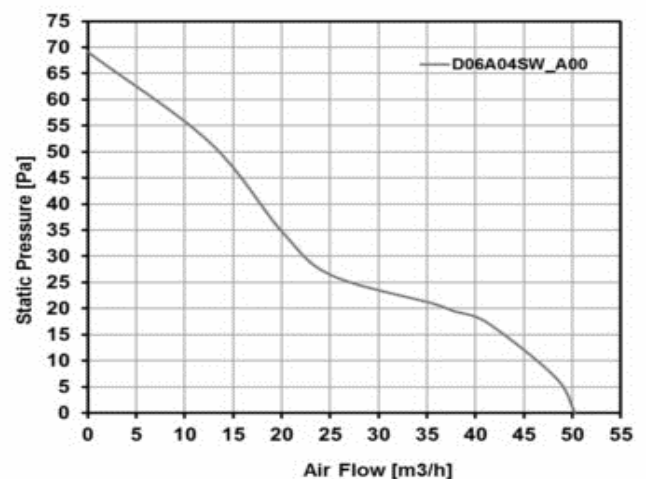
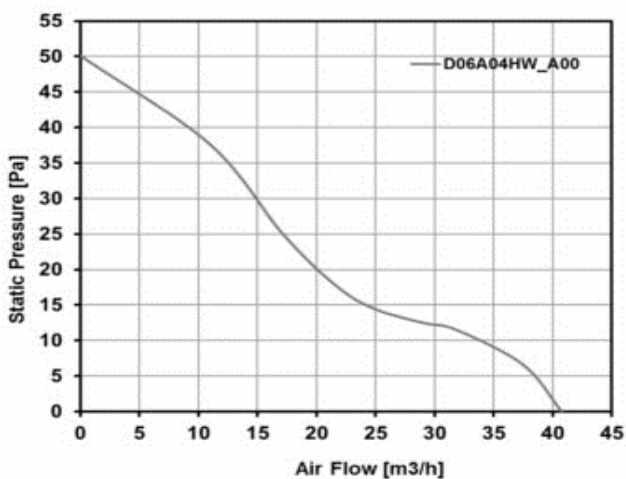
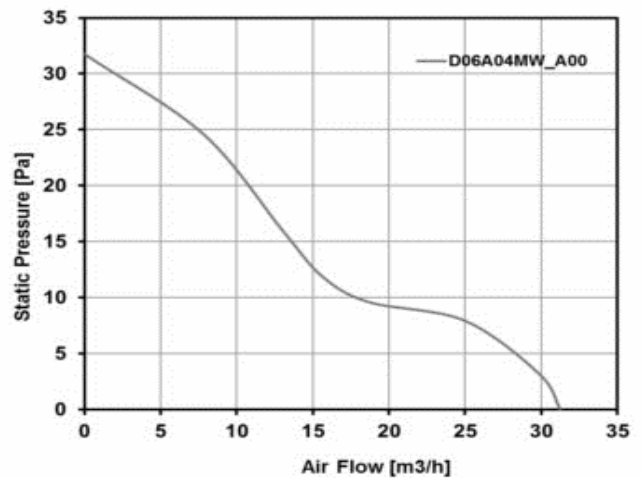
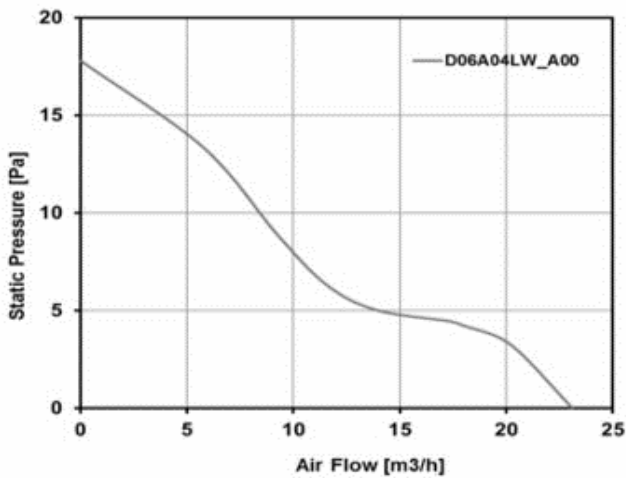


"D06AA" SERIES COSTECH FANS

Description: **d.c. axial fan 60x60x25mm**



Casing material:	Black fibreglass reinforced plastic (PBT) UL 94V-0
Impeller material:	Black fibreglass reinforced plastic (PBT) UL 94V-0
Protection degree:	IP20, according to EN 60529 standard
Fixing system:	by No. 4 M4 screws
Storage temperature:	from -40°C to $+70^{\circ}\text{C}$
Rated temperature range:	from -10°C to $+70^{\circ}\text{C}$
Lifetime L10 at 40°C:	Sleeve 22,000 h ; Ball 70,000 h
Electrical connection:	2 leads 24AWG UL 1007, 300 mm long
Weight:	68 g



All specifications, data and drawing are subject to change without notice. Please refer to our terms of sales including our warranty and limited liabilities clauses.

Model	Bearing	Voltage	Rated Current	Rated Power	Max Air Flow**	Static Pressure	Noise	RPM	Approvals
		(V)	(A)	(W)	(m3/h)	(Pa)	[db(A)]	(rpm)	
D06A04LWBA00	Ball	12 V d.c.	0.100	1.20	22	20	18.9	2,500	CE; cURus
D06A04LWSA00	Sleeve	12 V d.c.	0.080	0.96	22	20	18.1	2,500	CE; UR
D06A04MWBA00	Ball	12 V d.c.	0.130	1.56	30	38	28.1	3,500	CE; cURus
D06A04MWSA00	Sleeve	12 V d.c.	0.140	1.7	31	30	28.6	3,500	CE; UR
D06A04SWBA00	Ball	12 V d.c.	0.180	2.16	45	73	38.5	5,300	CE; cURus
D06A05HWBA00	Ball	24 V d.c.	0.120	2.88	40	63	33.1	4,500	CE; cURus
D06A05LWBA00	Ball	24 V d.c.	0.080	1.9	22	16	18.1	2,500	CE; UR
D06A05MWBA00	Ball	24 V d.c.	0.090	2.16	30	38	28.1	3,500	CE; cURus
D06A05MWSA00	Sleeve	24 V d.c.	0.080	1.92	31	30	28.6	3,500	CE; UR
D06A05SWSA00	Sleeve	24 V d.c.	0.160	3.8	47	60	37.6	5,000	CE; cURus