



CLT4 Capacitive level transmitter

Contact level measurement
Threaded, flanged and sanitary connections
Suitable for measuring of liquids and powders
IP66 ÷ 67 protection
PTFE or PVC insulation

Capacitive instrument, rod probe suitable for general or chemical-pharmaceutical applications for level measurement of conductive, non-conductive liquids or granules. Installation on the top of metal tanks..

Technical Feature

Housing material

aluminum / polycarbonate

Versions

compact; remote; high temperature

IP rating

IP67

Electrical connection

terminals

Working temperature

-30° ÷ +150°C PTFE ; -20° ÷ +70°C PVC

Electrodes

rigid insulated PTFE rod; rigid PVC insulated rod

Power supply

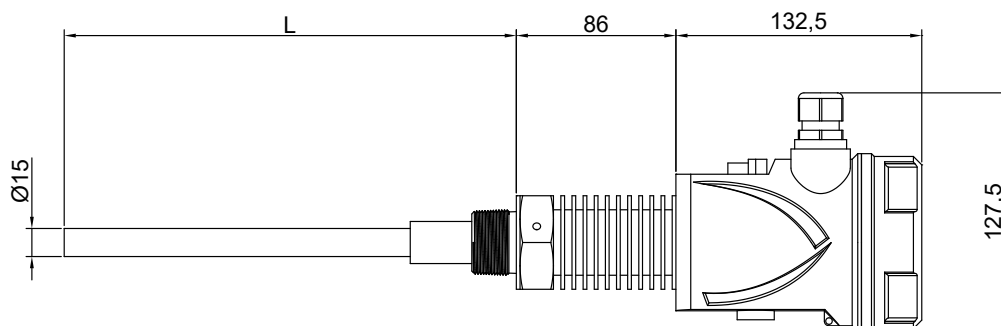
24Vdc; 24/115/230Vac

Analog output

4÷20mA

Measure range

max 3 mt rod





CLT4 Capacitive rod probe for liquids and dust
 Suitable for level measurement
 Installation in the top of metallic tanks; 3m max.

Version	
A	Without insert-preamplifier
B	Compact
D	Spacer-cooling-fins compact in carbon-steel
F	Spacer-cooling-fins compact in stainless-steel
H	Separate with M8 female connection, 2m coax cable with double shielding max. 120°C (cod 525A003E). Electrode with DIN B aluminum housing - IP66 (only with 1/2" connection)
L	Separate with M8 female connection, 2m coax cable with double shielding max. 120°C (cod 525A003E). Electrode with DIN A aluminum housing - IP66
R	Separate with AI fixing base +2m coax cable with double shielding max. 120°C (cod 525A003E). Electrode with DIN B aluminum housing - IP66 (only with 1/2" connection)
S	Separate with AI fixing base + 2m coax cable with double shielding max. 120°C (cod 525A003E). Electrode with DIN A aluminum housing - IP66
Z	Special
Electronic preamplifier	
00	None
22	TC22, 4÷20mA, calibration by 2 push-buttons or via RS485, 24Vdc
23	TC23, 4÷20mA, calibration by 2 push-buttons or via RS485, 24Vac
24	TC24, 4÷20mA, calibration by 2 push-buttons or via RS485, 115Vac
25	TC25, 4÷20mA, calibration by 2 push-buttons or via RS485, 230Vac
26	TC26, 4÷20mA, calibration by 2 push-buttons or via RS485, 1 relay, 24Vdc
27	TC27, 4÷20mA, calibration by 2 push-buttons or via RS485, 1 relay, 24Vac
28	TC28, 4÷20mA, calibration by 2 push-buttons or via RS485, 1 relay, 115Vac
29	TC29, 4÷20mA, calibration by 2 push-buttons or via RS485, 1 relay, 230Vac
30	TC30, 4÷20mA 2-wire, 2 push-buttons calibration, 10÷30Vdc
99	Special
Housing for electronic preamplifier	
E	IP 66 DIN B aluminum housing (for electrode only)
F	PC with transparent cap and osmotic filter - IP67
G	IP67 aluminum varnished with osmotic filter
L	PC with blind cap and osmotic filter - IP67
Z	Special
Process connection	
01	G1" / Carbon-steel - not for DIN B housing
02	G1" / Stainless-steel SS316 - not for DIN B housing
03	1" NPT / Carbon-steel - not for DIN B housing
04	1" NPT / SS316 - not for DIN B housing
11	G1 1/2" / Carbon-steel - not for DIN B housing
12	G1 1/2" / SS316 - not for DIN B housing
19	G1 1/2" / PTFE - not for DIN B housing
20	Sanitary DN25 DIN 11851 / SS304L - not for DIN B housing
21	Sanitary DN40 DIN 11851 / SS304L - not for DIN B housing
22	Sanitary DN50 DIN 11851 / SS304L - not for DIN B housing
40	Threaded flange DN40 PN 6 UNI 1092-1 / PVC
41	Threaded flange DN40 PN 6 UNI 1092-1 / PTFE
42	Threaded flange DN40 PN16 / carbon steel
45	Threaded flange DN50 PN6 UNI 1092-1 / PVC
46	Threaded flange DN80 PN6 UNI 1092-1 / PVC
47	Threaded flange DN100 PN6 UNI 1092-1 / PVC
50	Threaded flange DN40 PN16 / SS304
51	Threaded flange DN40 PN16 / SS316
52	Threaded flange DN50 PN16 DIN 2527 form B (without gasket) / SS316
53	Threaded flange DN80 PN16 DIN 2527 form B (without gasket) / SS316
54	Threaded flange DN100 PN16 DIN 2527 form B (without gasket) / SS316
60	Threaded flange 2" ANSI RF # 150 / SS316
61	Threaded flange 3" ANSI RF # 150 / SS316
62	Threaded flange 4" ANSI RF # 150 / SS316
71	CLAMP 1" / SS316 - not for DIN B housing
73	CLAMP 1 1/2" / SS316 - not for DIN B housing
75	CLAMP 2" / SS316 - not for DIN B housing
83	G 1/2" / Carbon-steel - not for electrodes type Q/R/S
84	G 1/2" / SS316 - not for electrodes type Q/R/S
99	Special
Electrode type and insulation	
B	PTFE partially insulated SS316 rod
D	PVC totally insulated SS316 rod
H	PTFE totally insulated SS316 rod (only for dust/granules)
L	PTFE 8/12 totally insulated SS316 rod (for liquids - max length 2000mm)
Q	PTFE partially insulated SS316 rod + SS316 grounding reference (for liquids)
R	PVC insulated rod + SS316 grounding reference (for liquids) just with non sensitive part cod A
S	PTFE 8/12 insulated rod + SS316 grounding reference (for liquids - max length 2000mm) just with non sensitive part cod A
Z	Special
L= Electrode length, price each 100mm	
40	PTFE partially insulated SS316 rod
42	PVC totally insulated SS316 rod
46	PTFE totally insulated SS316 rod (only for dust/granules)
48	PTFE 8/12 totally insulated SS316 rod (for liquids - max length 2000mm)
53	PTFE partially insulated SS316 rod + SS316 grounding reference (for liquids)
54	PVC insulated rod + SS316 grounding reference (for liquids)
55	PTFE 8/12 insulated rod + SS316 grounding reference (for liquids - max length 2000mm)
99	Special
L1 = non sensitive part (rod), material and price each 10cm	
A	None
C	SS316 - max 100mm
Z	Special