

Features

Individual addressable manual fire alarm callpoints with:

- Power and data supplied via IDNet addressable communications using a single wire pair
- Enhanced aesthetics
- Designed for fast and easy installation
- Designed for EMI compatibility
- Surface mounting
- Test key allows the callpoint to be tested without breaking the glass
- Requires a special key to open the callpoint

Compatible with Simplex Model series 4100U / 4100ES

Description

These addressable manual callpoints, with compact communications module, are easily installed to satisfy demanding applications. An integral individual addressable module (IAM) monitors status and communicates changes to the connected control panel via IDNet communications.

Specifications - Indoor - Outdoor

Power and Communications	IDNet, 1 address per callpoint	
Address Means	DIPswitch, 8 position	
Device Type	KACPUL	GENIAM
Wire Connections	Spade terminals	
Storage and Operating Temperature Range	-10° C to 55° C	-30° C to +70° C
Humidity Range	Up to 95% RH non-condensing	
Ingress Protection	IP24D	IP67
Colour	Red, RAL3001	
Material	PC/ABS	
Dimensions (mm)	93 x 89 x 28	93 x 98 x 76
ActivFire Listed	afp-2889	



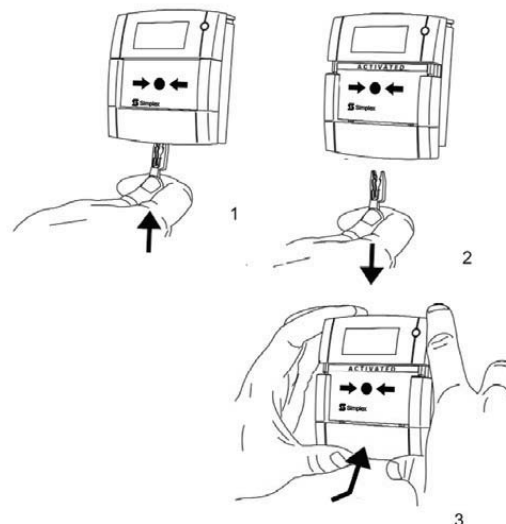
IDNet Addressable Manual Callpoint

Operation

Activation of the Simplex callpoint requires the glass element to be broken. Completing the action operates a micro-switch whose condition is signaled back to the control panel.

Callpoint reset requires the use of a special key (supplied with the callpoint) to remove the front cover which allows the glass element to be replaced.

Callpoint testing is performed by inserting the key fully into the bottom of the housing and pulling down, this releases the bottom of the housing and break glass element. To reset the callpoint, the bottom of the housing is pushed upwards until it locks in position. (See illustration below.)



Callpoint Testing

Application Reference

Refer to all applicable local codes for complete requirements for manual callpoints.

The following summarizes the basic requirements:

1. Callpoints shall be located inside the main entrance of the building or on the CIE.
2. Callpoints shall be located in the normal path of exit and distributed in the protected area such that they are unobstructed and readily accessible.

Product Selection

Addressable Manual Callpoints with Internal IAM

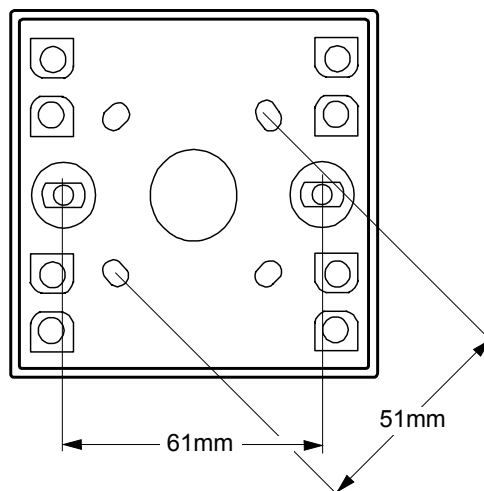
Model	Description
4099-9701	English callpoint with LED
4099-9702	English callpoint, no LED - for use on MAPNET II
4090-0634K	English callpoint, no LED - IP67 rated

Accessories

Model	Description
SR3T-P	Surface mount backbox for Simplex indoor callpoints, 32 mm deep
SU0609	Callpoint replacement glass, package of 10
SU0615	Callpoint transparent hinged cover
515.001.127	Callpoint plastic flexible element, no logo
SC070	Callpoint test key, package of 10

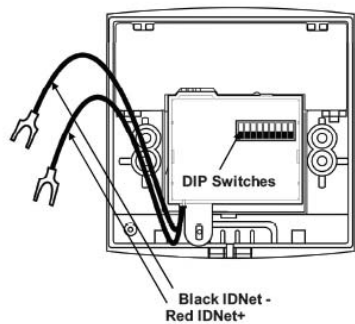
Mounting Information

Note: The callpoint fits directly to a UK switch/socket box. A minimum box depth of 25 mm is recommended.



SR3T-P PC/ABS Backbox for surface mounting

Setting the Callpoint Address



Black IDNet - Red IDNet+

LSB MSB
ON OFF
DIPSWITCH IS SHOWN SET AT ADDRESS 7

Note:
DIP switch in "1" position is "ON" while DIP switch in "0" position is "OFF."

RESERVED FOR FUTURE USE

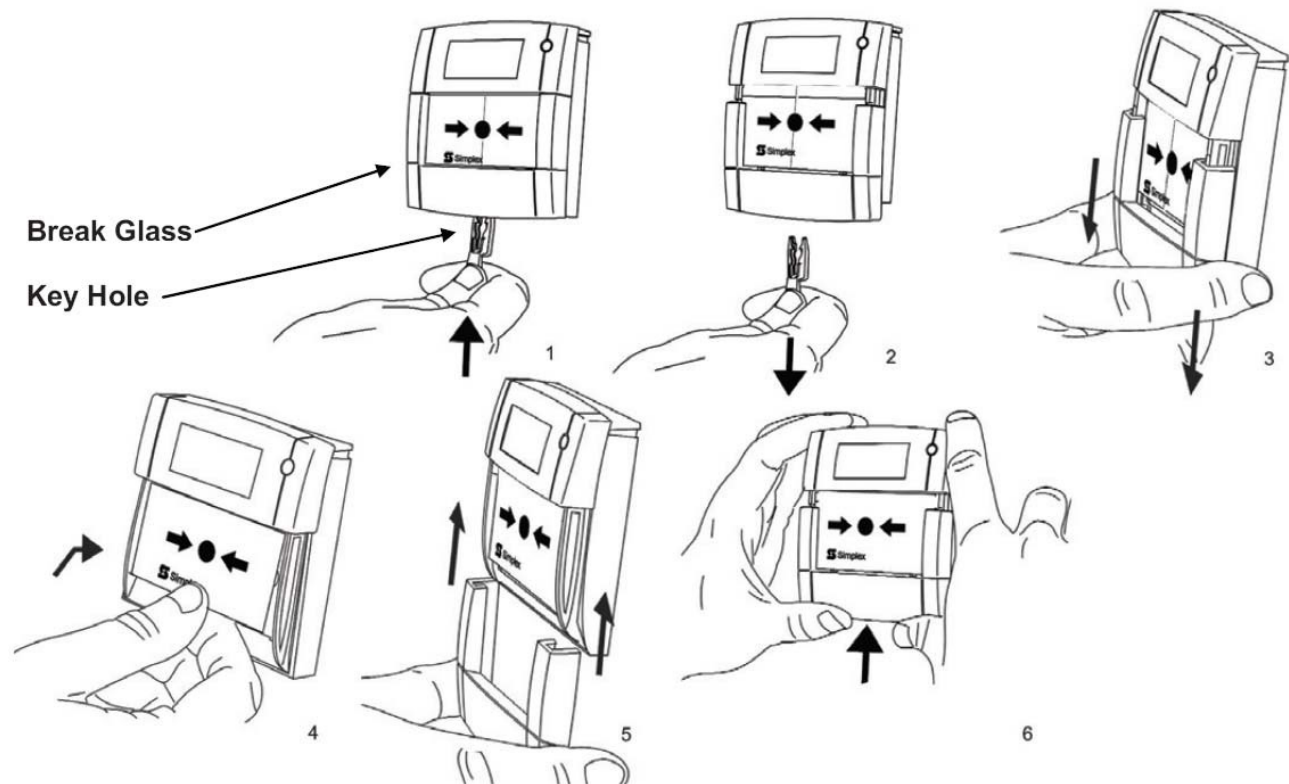
DIP SWITCHES 5 THRU 8

	0000	1000	0100	1100	0010	1010	0110	1110	0001	1001	0101	1101	0011	1011	0111	1111
0000	0	16	32	48	64	80	96	112	128	144	160	176	192	208	224	240
1000	1	17	33	49	65	81	97	113	129	145	161	177	193	209	225	241
0100	2	18	34	50	66	82	98	114	130	146	162	178	194	210	226	242
1100	3	19	35	51	67	83	99	115	131	147	163	179	195	211	227	243
0010	4	20	36	52	68	84	100	116	132	148	164	180	196	212	228	244
1010	5	21	37	53	69	85	101	117	133	149	165	181	197	213	229	245
0110	6	22	38	54	70	86	102	118	134	150	166	182	198	214	230	246
1110	7	23	39	55	71	87	103	119	135	151	167	183	199	215	231	247
0001	8	24	40	56	72	88	104	120	136	152	168	184	200	216	232	248
1001	9	25	41	57	73	89	105	121	137	153	169	185	201	217	233	249
0101	10	26	42	58	74	90	106	122	138	154	170	186	202	218	234	250
1101	11	27	43	59	75	91	107	123	139	155	171	187	203	219	235	251
0011	12	28	44	60	76	92	108	124	140	156	172	188	204	220	236	252
1011	13	29	45	61	77	93	109	125	141	157	173	189	205	221	237	253
0111	14	30	46	62	78	94	110	126	142	158	174	190	206	222	238	254
1111	15	31	47	63	79	95	111	127	143	159	175	191	207	223	239	255

DIP SWITCHES 1 THRU 4

RESERVED FOR FUTURE USE

Replacing the Break Glass Element



Break Glass

Key Hole

1. Insert the key into the key hole.
2. Turn the key clockwise to unlock the break glass cover.
3. Push the break glass cover down and away from the device.
4. Remove the old break glass element.
5. Insert the new break glass element into the slot.
6. Push the break glass cover back up and lock it.

Tyco is a registered trademark of Tyco International Services GmbH and is used under license. Simplex, the Simplex logo, and IDNet are trademarks of Tyco International Ltd. and its affiliates and are used under license.



Tyco Fire Protection Products • Tel: +61 3 9313 9700 • Email: tfpcustservice.au@tycofp.com

www.simplex-fire.com

A0001-0006-3-AU 3/2014

© 2014 Tyco Fire Protection Products. All rights reserved. All specifications and other information shown were current as of document revision date and are subject to change without notice.