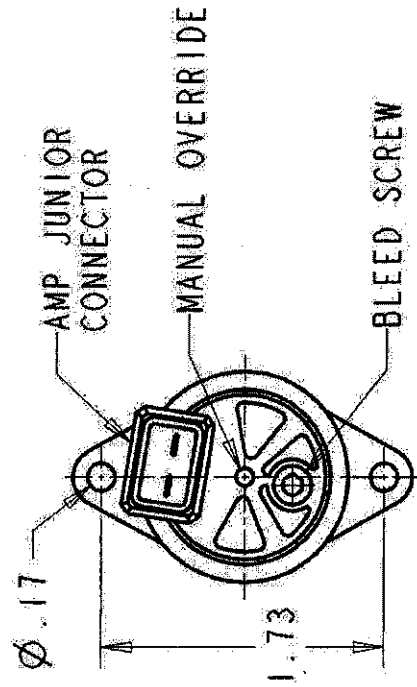
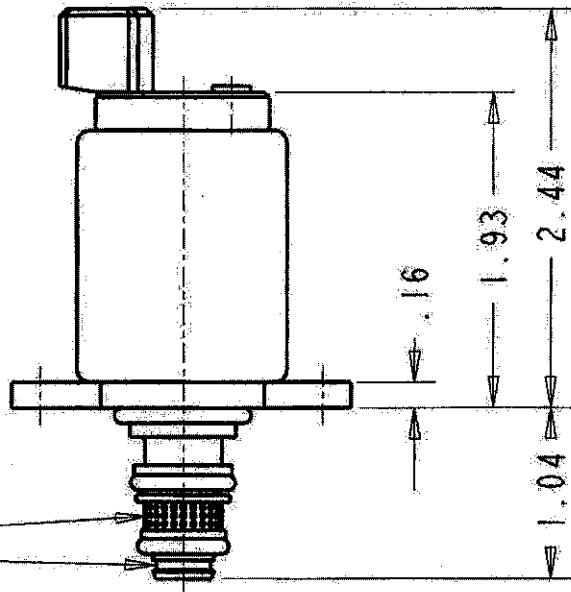


ORIFICE PLATE REQUIRED  $\diamond A3$

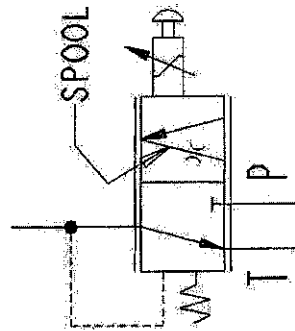
SCREEN: MESH OPENING .005 2x  $\phi$  .17



THOMAS MAGNETE PROPORTIONAL SOLENOID  
 IDENTIFICATION NO.: 58401  
 MAX. REDUCING PRESSURE: 25 BAR  
 VOLTAGE: 24Vdc  
 SUPPLIED COMPLETE WITH O'RINGS FITTED & SCREEN  
 CAVITY DESIGN: PARKER (2.003.154)  
 O-RING SEAL KIT: 346 9149 257  
 $\diamond A2$  CONTAINS "SPOOL BLEED" FOR STABILITY

SAME WITHOUT  
 SCREEN

PARKER# 26989003  
 TM# 51101



CIRCUIT DIAGRAM

REF. DES'GNS	REF. DIMS	REF. DIMS	REF. DIMS	REF. DIMS	REF. DIMS

MATERIAL	JOB NO.	THIRD ANGLE PROJECTION
	VE060088	

SIZE	DRN BY	DCS	PART NO.	REV.
A	A	021706	396 4101 031	A

CH BY	MAC	CH DATE	SCALE	SHEET	OF
			1:000K	1	1

DESCRIPTION	SOLENOID-T/M58401 (SCREEN)

PARKER	PARKER HANNIFIN CORP.
	HYDRAULIC VALVE DIV.
	HYDRAULICS HICKSVILLE, OH 43526, USA

10/81