

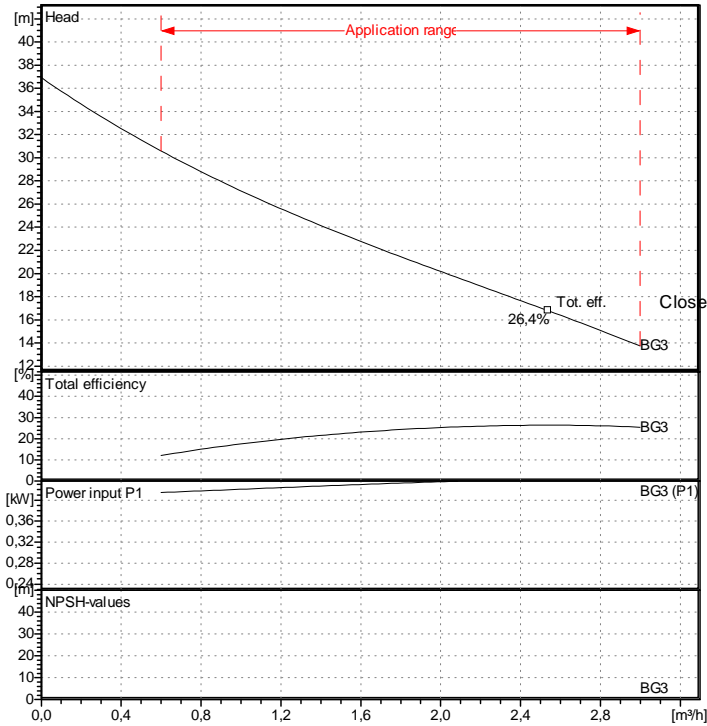
**BGM3**

Company	WDA Pompen BV	Customer	Date	2017-08-16
Contact	Erwin Vasterink	Contact	List price	On req.
Project		Phone number	Family code	
Project no.		Email	Item no.	107320000

Performance according to ISO 9906 - Annex A

**Power datas referred to:**

Water, pure [100%] ; 277K; 1000kg/m<sup>3</sup>; 1,57mm<sup>2</sup>/s



**Operating Data Specification**

Flow	0 m <sup>3</sup> /h
Head	0 m

**Hydraulic data (duty point)**

Flow	
Head	
Power input	

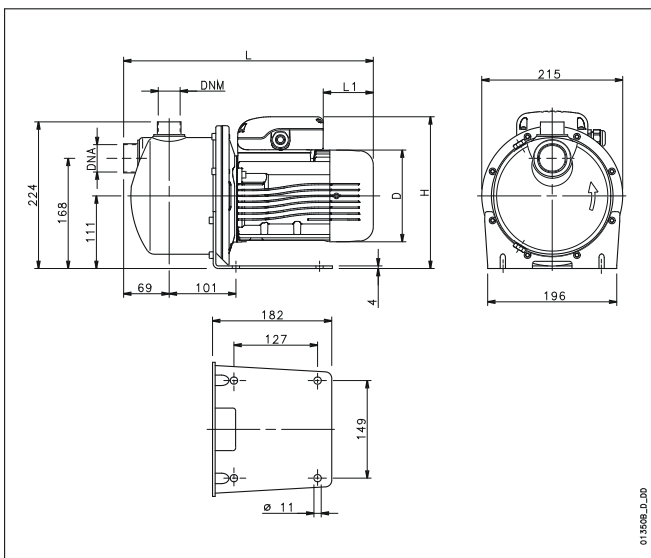
**Pump data**

Make	Lowara
Type	BGM3
Close-coupled self-priming centrifugal pumps with built-in ejector system.	
Speed	2900
Head H(Q=0)	36,9 m
Suction side	
Discharge side	
Types of installation	Monobloc
Weight	10 kg

**Materials / seals**

Pump body	Stainless steel
impeller	Stainless steel
Diffuser	Technopolymer
Ejector	Technopolymer

Shaft Seal



**Motor data**

Rated power P2	0,55 kW	Nom. Speed	2820 1/min
Frequency	50	Phase	1~
Rated voltage	230 V	Rated current	0 A
Protection class	IP 55	Insulation class	F
Permitted voltage tolerance +/- 10%			

**Dimensions** mm

D	120		
D <sub>NA</sub>	Rp 1 1/4		
D <sub>NM</sub>	Rp 1		
H	222		
L	366		
L <sub>1</sub>	62		

Note: