

## 1" 1/2 VALVES



# SCREW CONNECTION AE1440B With Pilot group

*The classic 90° valve with female thread*



### PRODUCT CERTIFICATIONS

STANDARD



OPZIONALI



### VALVE TECHNICAL FEATURES

Features	Values
Out	1" 1/2 Gas
In	1" 1/2 Gas
Working Pressure	1,5-8 bar
Standard Temperature Range	-40 °C ; +100 °C
High Range Temperature	-20 °C ; +200 °C
Kv	48 m <sup>3</sup> /h
Weight	1.6 kg
Protection Level	IP65

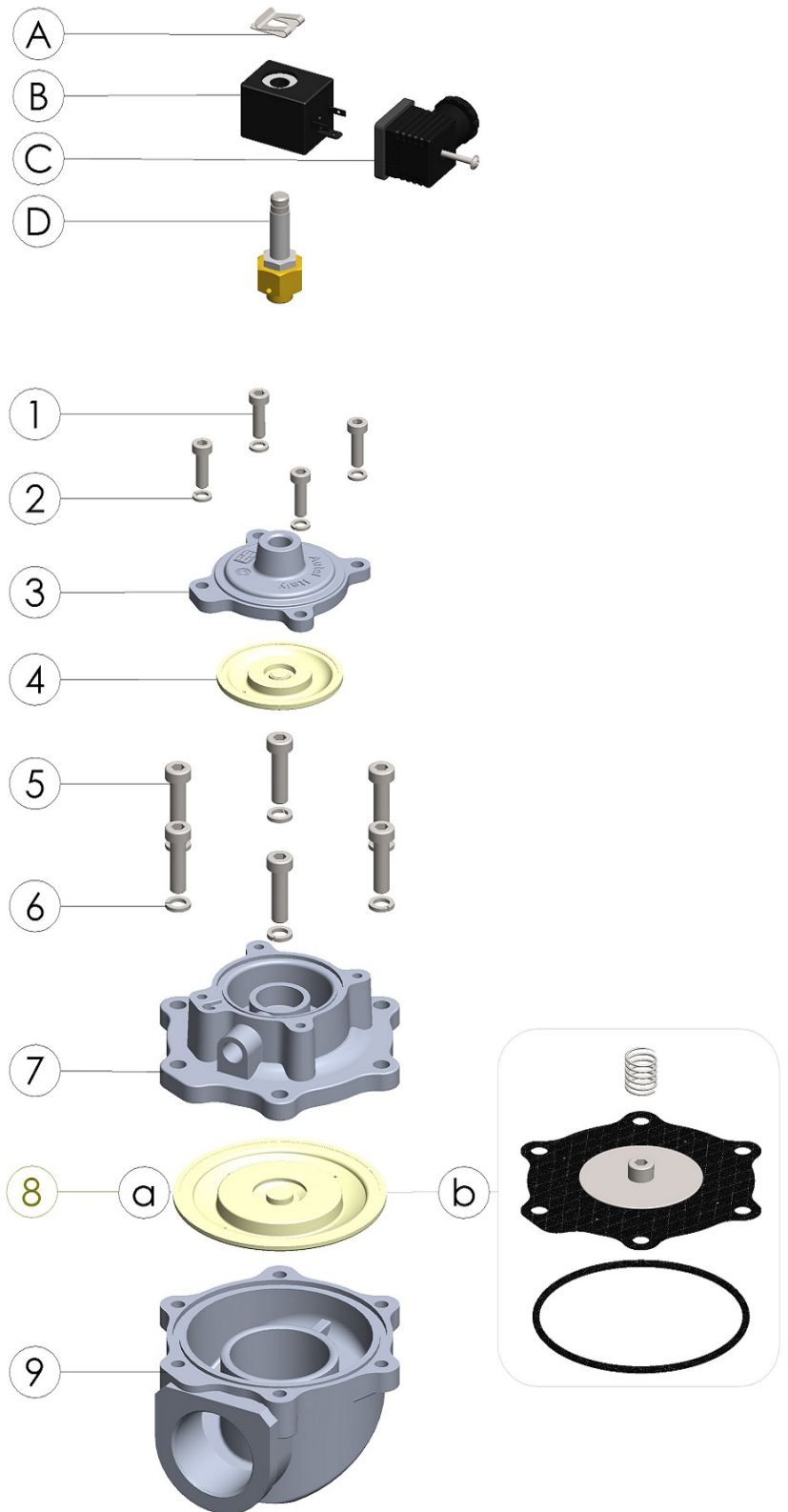
**VALVE TECHNICAL FEATURES**

Features		Values
Air quality classes ( ISO 8573-1)	For Solid	2
	For Water with $T > +3^{\circ}\text{C}$	4
	For Water with $-20^{\circ}\text{C} < T < +3^{\circ}\text{C}$	3
	For Water with $-40^{\circ}\text{C} < T < -20^{\circ}\text{C}$	2
	For Oil	1

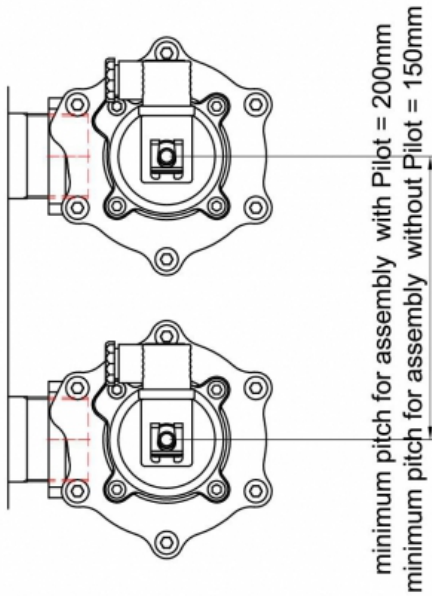
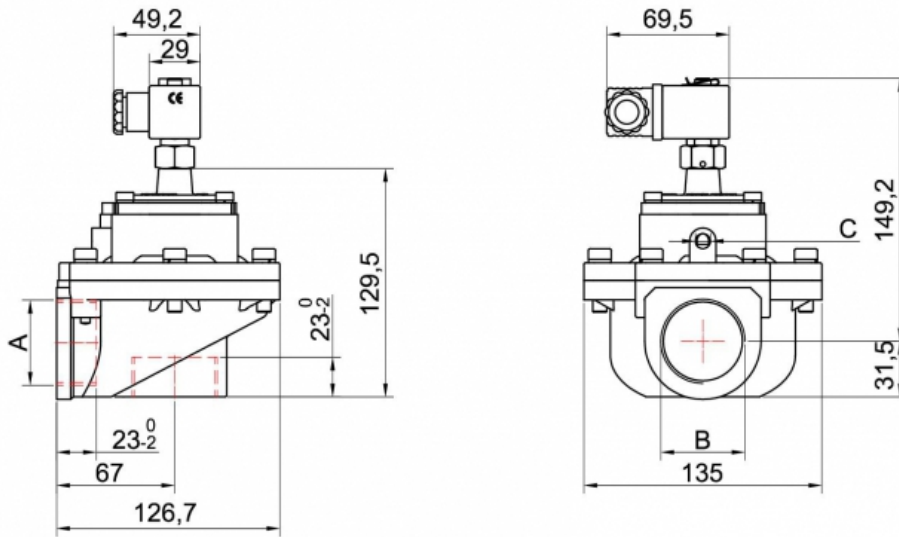
**PARTS LIST**

No.	Description	Material
A	Clip	CS Galvanized
B	Coil	PA
C	Connector	PA + NBR
D	Pilot	SS + Brass
1	Screw M6	SS
2	Washer	SS
3	Cover 3/4"	Die Cast Alu
4	Diaphragm 3/4"	TPE
5	Screw M8	SS
6	Washer	SS
7	Cover 1" 1/2	Die Cast Alu
8a	STD Diaphragm 1"1/2	TPE
8b	HT Diaphragm 1" 1/2Kit	VITON+PTFE
9	Body 1" 1/2 Screw	Die Cast Alu

## Immagine



## DIMENSIONAL LAYOUT



## HOLES CHARACTERISTICS

HOLES	STANDARD	OPTIONAL
A	1 1/2" G (ISO 228/1)	-
B	1 1/2" G (ISO 228/1)	-
C	1/4" G (ISO 228/1)	-

## CONSUMPTION GRAPHS

