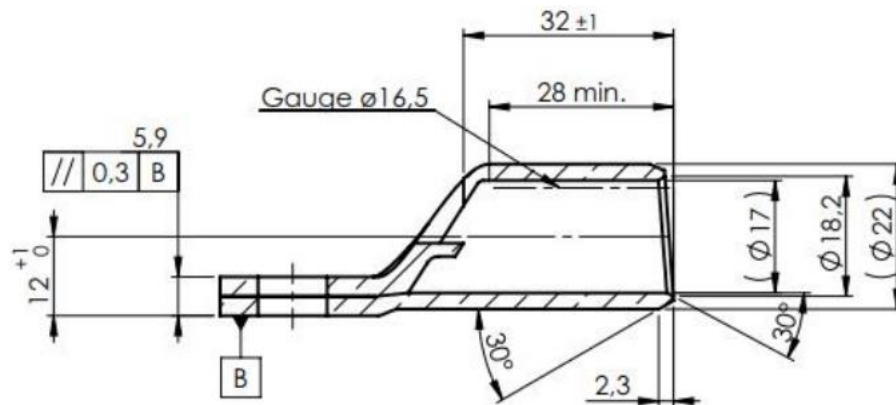
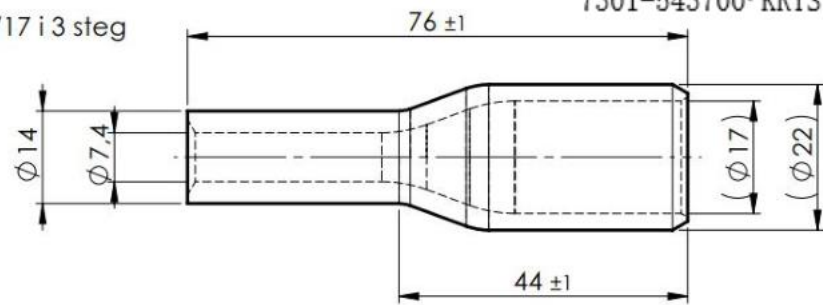


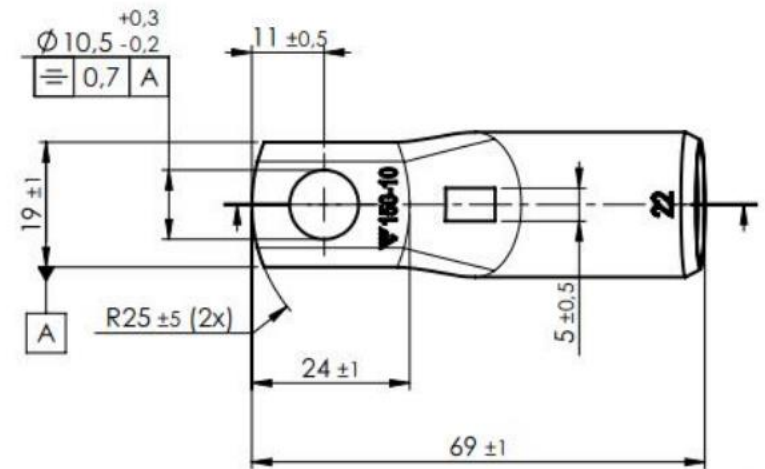
Marked with height 3,

On palm: $\nabla 120-12F$
 On tube: 22 (Die No)

Krympt rör 22/17 i 3 steg 7301-543700-KRTS150-10



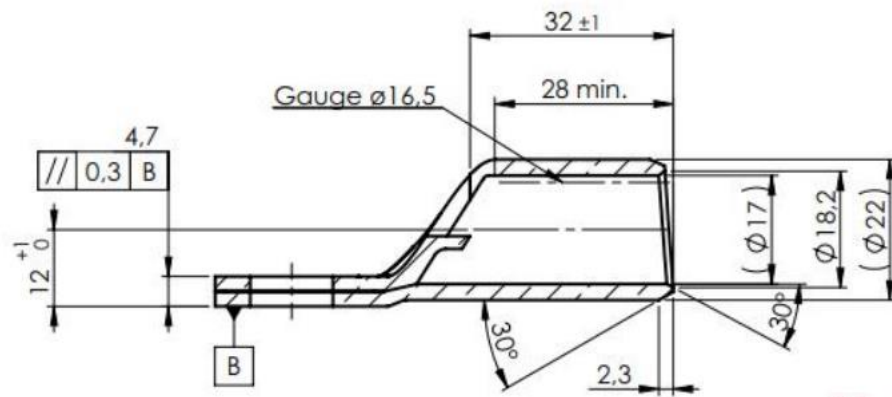
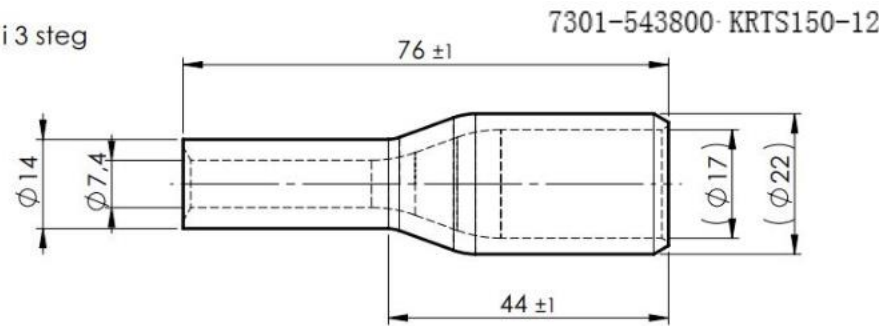
Materialstandard 0901-006400



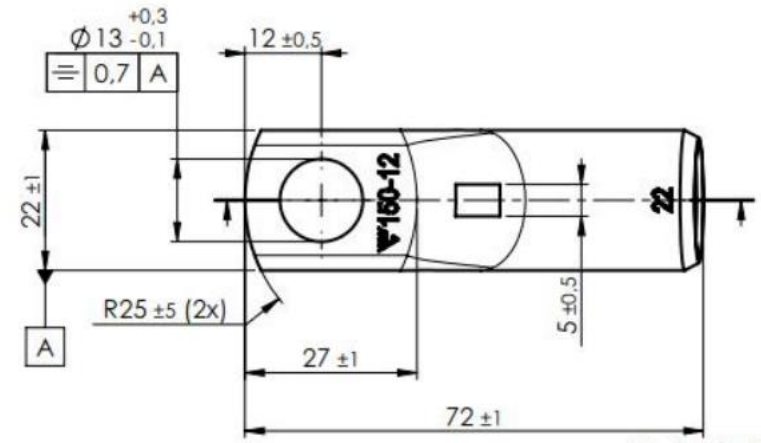
Marked with height 2,5,

On palm: ∇ 150-10
On tube: 22 (Die No)

Krymt rör 22/17 i 3 steg

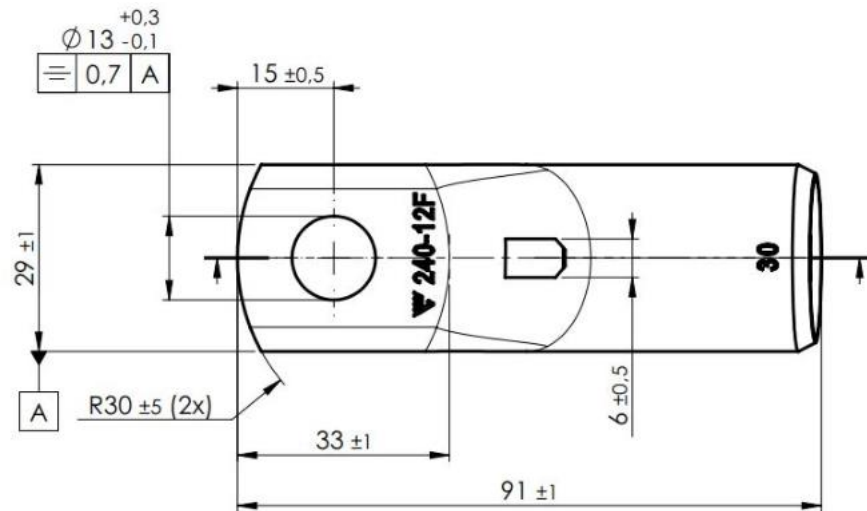
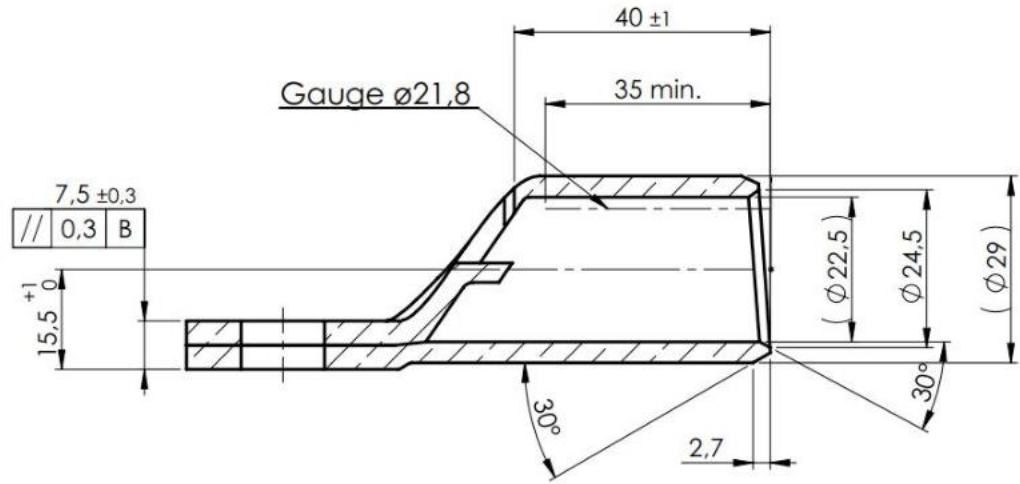


Materialstandard 0901-006400



Marked with height 3,

On palm: ∇ 150-12
On tube: 22 (Die No)

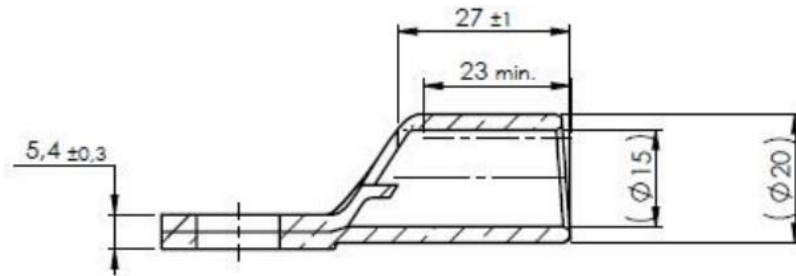


Marked with height 3,

On palm: $\nabla 240-12F$

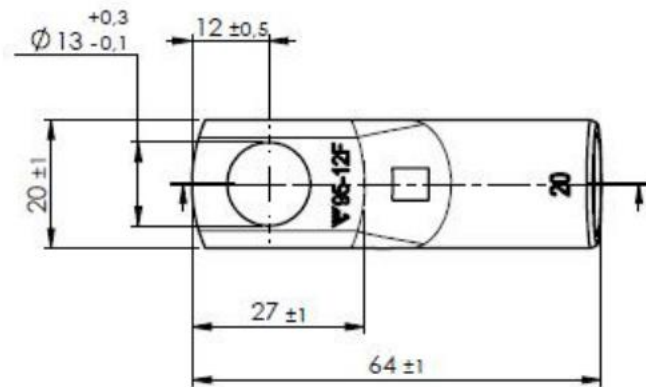
On tube: 30 (Die No)

7301-291100 KRFS95-12

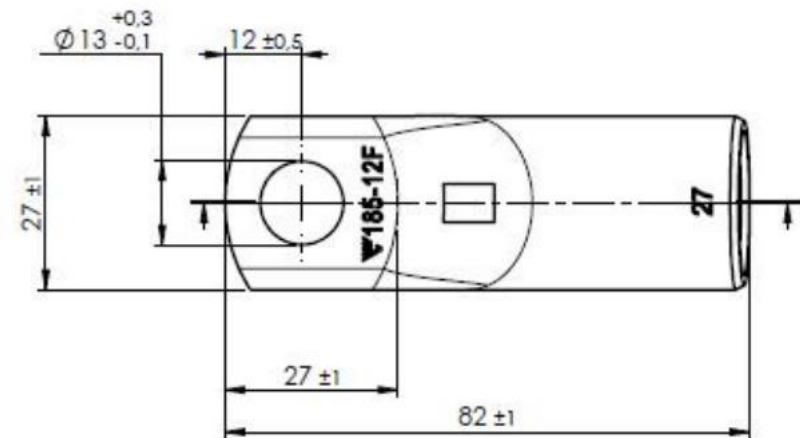
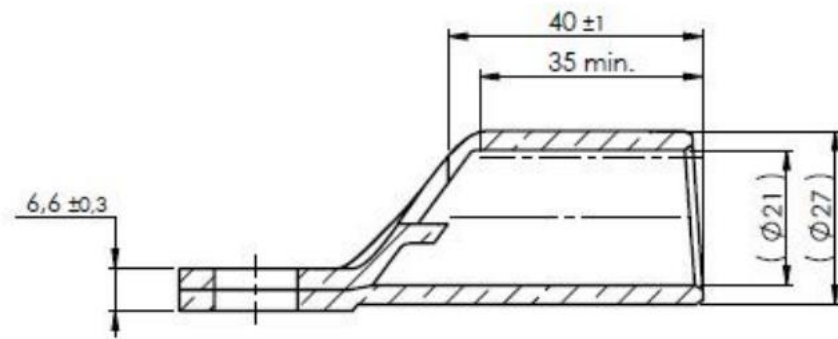


Marked with height 2,5-3,0

On palm: ∇ 95-12F
On tube: 20 (Die No)



7301-292200 KRFS185-12



Marked with height 3,

On palm: $\nabla 185-12F$
On tube: 27 (Die No)