



SKYHAWK AI  
SURVEILLANCE

SEAGATE

3.5 İNÇ SABİT DİSK VERİ SAYFASI

Akıllı. Sağlam. Güvenli.  
Yapay Zekalı Güvenlik Uygulamaları için  
ideal hale getirilmiştir



Seagate® SkyHawk™ AI, güvenlik çözümlerinde etkin bir yapay zeka (AI) için dünyanın amaca yönelik tasarlanmış ilk diskidir.



### En Uygun Uygulamalar

- Ağ video kayıt cihazları (NVR)
- Yapay zekanın etkin olduğu NVR sistemleri
- Video-edge NVR'ler
- Gelişmiş analizlere sahip NVR'ler

### Önemli Avantajları

Her zaman çalışır durumda olan ve yapay zekanın etkin olduğu güvenlik sistemlerinde yapay zeka için ek iş yükü desteğiyle birlikte, üstün görüntü bütünlüğü için **ImagePerfect™ AI üretici yazılımı**.

64 adet HD kameraya kadar aynı anda ve kesintisiz kayıt yaparken **ek olarak 16 adet yapay zeka akışı da destekleyen özel tasarım**.

Her zaman çalışır durumda olan ve yapay zekanın etkin olduğu güvenlik sistemlerinde gerek duyulan **ağır iş yükleriyle başa çıkmak üzere tasarlandı**. Yılda 550 TB iş yükü ile SkyHawk AI, standart güvenlik disklerine göre 3 kattan daha fazla iş yüküyle başa çıkmak üzere tasarlandı.

16'dan fazla yuvaya sahip NVR sistemlerinde üstün ve sürdürülebilir performans için **gelişmiş titreşim yönetimi**.

2 milyon saat arızalar arası ortalama süre ve 5 yıllık sınırlı garanti sayesinde **artırılmış güvenilirlik** ve azaltılmış toplam sahip olma maliyeti.

Tüm SkyHawk AI disklerinde bulunan ve sektörde lider veri kurtarma oranlarına sahip Seagate güvenlik laboratuvarlarına erişim sağlayan ücretsiz 2 yıllık Rescue Veri Kurtarma Hizmet planları sayesinde **rakipsiz veri koruması**.



Teknik Özellikler	10 TB	8 TB	6 TB	4 TB
Standart Model Numaraları	ST10000VE0004	ST8000VE0004	ST6000VE001	ST4000VE001
Arabirim	SATA 6 Gb/sn	SATA 6 Gb/sn	SATA 6 Gb/sn	SATA 6 Gb/sn
<b>Özellikler ve Performans</b>				
Desteklenen Disk Yuvası	16+	16+	16+	16+
Yapay Zeka Akışları <sup>1</sup>	16	16	16	16
HD Kamera Desteği	En fazla 64 adet	En fazla 64 adet	En fazla 64 adet	En fazla 64 adet
Maks. Sürdürülebilir Veri Aktarma Hızı OD (MB/sn)	235 MB/sn	235 MB/sn	226 MB/sn	226 MB/sn
Önbellek (MB)	256	256	256	256
<b>Güvenlik/Veri Bütünlüğü</b>				
Karamaya Karşı Dayanıklı	Evet	Evet	Evet	Evet
Yükleme/Boşaltma Çevrimleri	300.000	300.000	300.000	300.000
Okunan Her Bit Başına Onarılmayan Okuma Hataları, Maks.	10E15 başına 1 tane	10E15 başına 1 tane	10E15 başına 1 tane	10E15 başına 1 tane
Yıllık Çalışma Süreleri (7/24)	8.760	8.760	8.760	8.760
İş Yükü Oranı Limiti (WRL) <sup>2</sup>	550	550	550	550
Arızalar Arası Ortalama Süre	2.000.000 sa	2.000.000 sa	2.000.000 sa	2.000.000 sa
Garanti, Sınırlı (yıl) <sup>3</sup>	5	5	5	5
<b>Güç Yönetimi</b>				
Başlatma Akımı, Tipik (12V, A)	1,8	1,8	1,8	1,8
Ortalama Çalışma Gücü (W)	7,2 W	7,2 W	9,5 W	9,5 W
Boşta Ortalaması (W)	4,9 W	4,9 W	7,5 W	7,5 W
Bekleme Modu/Uyku Modu, Tipik (W)	0,8/0,8	0,8/0,8	0,6/0,6	0,6/0,6
Voltaj Toleransı (5 V)	±%5	±%5	±%5	±%5
Voltaj Toleransı (12 V)	±%10	±%10	±%10	±%10
<b>Çevre/Sıcaklık</b>				
Çalışır halde (ortam, min °C)	5	5	5	5
Çalışır halde (disk kulusu, maks. °C) <sup>4</sup>	70	70	70	70
Çalışmaz halde, (ortam, min. °C)	-40	-40	-40	-40
<b>Fiziksel</b>				
Yükseklik (mm/inç, maks.)	26,11 mm/1,028 inç	26,11 mm/1,028 inç	26,11 mm/1,028 inç	26,11 mm/1,028 inç
Genişlik (mm/inç, maks.)	101,85 mm/4,01 inç	101,85 mm/4,01 inç	101,85 mm/4,01 inç	101,85 mm/4,01 inç
Derinlik (mm/inç, maks.)	146,99 mm/5,787 inç	146,99 mm/5,787 inç	146,99 mm/5,787 inç	146,99 mm/5,787 inç
Ağırlık (g/lb)	650 g/1,433 lb	650 g/1,433 lb	705 g/1,55 lb	705 g/1,55 lb
Karton Birim Miktarı	20	20	20	20
Palet Başına Karton Sayısı/Katman Başına Karton Sayısı	40/8	40/8	40/8	40/8

<sup>1</sup> 16 adet yapay zeka akışı = 3 yapay zeka kanalı.

<sup>2</sup> SkyHawk AI güvenliği: diskler her zaman 550 TB/yıl ömrü içindeki iş yüküyle çalışır durumda olacak şekilde tasarlanmıştır. Daha yüksek işlem iş yükleri için Seagate'in işletme sınırlı disk tekliflerine bakın.

<sup>3</sup> Genel bilimsel garanti süresinde vardır. Ayarlar için distribütörünüze başvurun.

<sup>4</sup> Seagate, ortam sıcaklık koşullarında çalıştırılmasını önermez. Aşağıdaki koşullarda çalışma ürünün kullanım ömrü azaltacaktır.

seagate.com



AMERİKA KİTASI  
 ASYA/PASİFİK  
 AVRUPA, ORTA DOĞU VE AFRIKA

Seagate Technology LLC 10200 South De Anza Boulevard, Cupertino, California 95014, ABD, 408-658-1000  
 Seagate Singapore International Headquarters Pte. Ltd. 7000 Ang Mo Kio Avenue 5, Singapore 569877, 65-6485-3888  
 Seagate Technology SAS 16-18, rue du Dôme, 92100 Boulogne-Billancourt, France, 33 1-4186 10 00

© 2018 Seagate Technology LLC. Tüm hakları saklıdır. Seagate, Seagate Technology ve Spiral logosu, Seagate Technology LLC'nin ABD'deki ve/veya diğer ülkelerdeki tescilli ticari markalarıdır. ImagePerfect, SkyHawk ve SkyHawk AI logosu, Seagate Technology LLC veya yan şirketlerinden birinin ABD ve/veya diğer ülkelerdeki ticari markaları ya da tescilli ticari markalarıdır. Diğer tüm ticari markalar ya da tescilli ticari markalar, ilgili sahiplerine aittir. Disk kapasitelerinde kullanılan bir gigabayt veya GB, bir milyar bayt, bir terabayt veya TB ise bir trilyon bayt eşittir. Bilgisayarınızın işletim sistemi farklı bir ölçüm standardı kullanılabilir ve daha düşük bir kapasite raporu sunabilir. Ayrıca sıralanan kapasitelerin bazıları, biçimlendirme ve diğer işlemler için kullanılır. Bu nedenle veri depolama için kullanılamaz. Gerçek veri hızları, arabirim seçimi ve disk kapasitesi gibi çalışma ortamı ve diğer faktörlere bağlı olarak değişiklik gösterebilir. Seagate, ürün tekliflerini veya teknik özelliklerini önceden haber vermeksizin değiştirme hakkını saklı tutar. DS1960.2-1802TR Şubat 2018

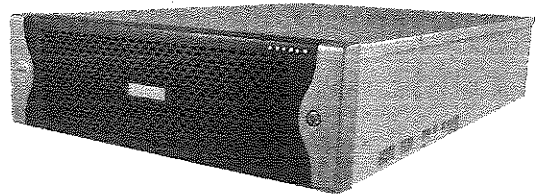


# VideoXpert™ Storage

450 MBPS RECORDING THROUGHPUT, UP TO 96 TB RAW CAPACITY, RAID 6

## Product Features

- Recording throughput up to 450 Mbps (300 Streams) meets demanding performance requirements for write-intensive applications
- Hardware designed to eliminate single points of failure, including RAID 6 Storage for optimum reliability
- Includes support for 3rd party cameras without a translation interface
- ONVIF compliant: Supports ONVIF S compliant cameras and devices
- Multicast recording support allows for recording of multicast data streams for restricted bandwidth scenarios
- Failover and redundant recording maximizes system uptime for mission-critical applications
- Serves up to 32 simultaneous playback streams independently of recording throughput



- Includes support for audio recording and playback for Pelco cameras
- Includes VideoXpert Storage software with 3-year upgrade plan and full platform support
- Performance Levels Maintained during RAID Error Conditions

VideoXpert™ Storage (VXS) is a RAID 6, high-availability recording platform that captures, stores, and serves recorded video for your VideoXpert system. As a high-density platform, VideoXpert Storage has double the capacity of any recorder previously available to VideoXpert.

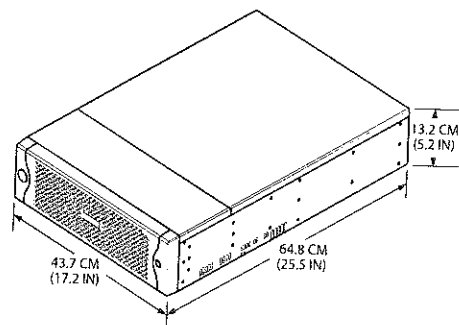
The VideoXpert Storage hardware platform is designed to maximize uptime and ensure that you never lose access to your mission-critical video data. Its RAID 6 storage configuration provides double parity protection of recorded data; the hard drive bay is cooled through the use of high capacity, redundant fans to ensure that the drives are kept at an optimum operating temperature; and its fully redundant power supplies guard against power supply failures.

The platform's operating system is contained on an SSD, freeing more space for video and ensuring high reliability as well as maximizing performance and throughput. Hard drives belonging to the RAID array are front-loading and hot-swappable, making it easy to remove and replace failed drives. VideoXpert Storage servers also maintain performance levels in both normal and RAID error conditions, preventing dips in performance and ensuring that users can always obtain the video they need through VideoXpert.

VideoXpert Storage hardware includes the Storage software, complete with a 3-year upgrade plan and Pelco support.

The Storage platform maximizes support for recording groups within VideoXpert. It allows you to configure pre- and post-event recording periods within VideoXpert, so that you capture the appropriate amount of video for any event. You can also configure "bump-on-alarm" recording schedules. You can set VideoXpert Storage to operate using unicast or multicast streams, making Storage easily adaptable to your surveillance network. VideoXpert Storage also supports failover and redundant recording schemes, ensuring your video remains available even if a single Storage server in the cluster fails.

The VideoXpert Storage platform natively supports third-party IP cameras as well as Optera cameras, so you can bring your 3rd party cameras into VideoXpert without expensive translation interfaces. Using VideoXpert Storage, your third-party cameras appear and operate within VideoXpert just as native Pelco cameras.



**PELCO**

by Schneider Electric

ONVIF | S

International Standards Organization Registered Firm, ISO 9001 Quality System

ISO 9001 CERTIFIED

C4832 / REVISED 12-20-17

# TECHNICAL SPECIFICATIONS

## MODELS

Your model number consists of your VideoXpert software distribution, the base model (VXS), the total storage capacity, and country code, if you want the unit shipped with a particular power cord. For example, an ultimate model with 96 TB storage with a US power cord is modeled as U1-VXS-96-US.

Distribution	Model	Storage (in TB)	Country Code (optional)
(Ultimate) U1 (Enterprise) E1	VXS	48	US = North America EUK = Europe/United Kingdom
		72	
		96	

## SUPPLIED ACCESSORIES

USB drive	Contains resource and recovery information
Rack Mount Kit	Brackets, rails, and hardware
Power cord	For applicable models, otherwise, order the PWRCRD model supporting your region

## OPTIONAL ACCESSORIES

VXS-HDD-6TB	Replacement 6 TB hard drive and carrier for VXS Models
PWRCRD-S-AR	Standard power cord, Argentina
PWRCRD-S-AU	Standard power cord, Australia

## SYSTEM

Processor	Intel Xeon E3-1276 v3
Memory	32 GB DDR3 ECC
Operating System	Microsoft Windows Server 2012
SSD Storage (OS)	200 GB
Raid Level	RAID 6
Effective Capacity	
VXS-48	32.70 TB
VXS-72	54.50 TB
VXS-96	76.40 TB
Drive Interface	SAS/SATA II
USB Ports	
USB 2.0	2 front, 2 rear
USB 3.0	2 rear

## NETWORK

Interface	2, 1 Gbps Ethernet RJ-45 ports (1000Base-T)
Recording Throughput	300 Streams/450 Mbps
Viewing Throughput	32 Streams/176 Mbps

## FRONT PANEL INDICATORS

Unit Status	Blue, red, off
Primary Network	Green, off
Secondary Network	Green, off
Hard Disk Status	
OS Drive (SSD)	Amber, off
RAID Drives (HDD)	Blue, red, off
Power Status	Green, off
Power Fail Status	Red, off

## POWER

Power Input	100 to 240 VAC, 50/60 Hz, autoranging
Power Supply	Internal, redundant
Power Consumption*	Operating Average
120 VAC	
48 TB	308 W, 2.57 A, 1051 BTU/H
72 TB	361 W, 3.01 A, 1231 BTU/H
96 TB	414 W, 3.45 A, 1411 BTU/H
240 VAC	
48 TB	302 W, 1.26 A, 1031 BTU/H
72 TB	354 W, 1.48 A, 1209 BTU/H
96 TB	406 W, 1.69 A, 1386 BTU/H

\*Power budgets represent worst-case scenarios. Actual power consumption may vary based on workload and environment, but a power budget estimate is usually 20%-25% greater than actual power measurements when using the Linpack HPL workload application.

## ENVIRONMENTAL

Operating Temperature	10° to 35°C (32° to 95°F) at unit air intake
Storage Temperature	-40° to 60°C (-40° to 140°F)
Relative Humidity	
Operating	20% to 95%, noncondensing
Non-Operating	5% to 95%, noncondensing
Operating Altitude	-16 to 3,048 m (-50 to 10,000 ft)
Operating Vibration	0.25 G at 3 Hz to 200 Hz at a sweep rate of 0.5 octave/minute

**Note:** The temperature at the unit air intake, measured at the front of the bezel, can be significantly higher than room temperature. Temperature is affected by rack configuration, floor layout, air conditioning strategy, and other issues. To prevent hard disk drive failure and unit damage, make sure the temperature at the air intake of the unit is continuously within the operating temperature range.

## PHYSICAL

Construction	Steel and plastic cabinet
Finish	
Front Panel	Dark gray with metallic silver end caps
Chassis	Silver
Dimensions (without rails)	64.8 x 43.7 x 13.2 cm (25" D x 17.2" W x 5.2" H)
Unit Weight	35.5 kg (78 lb)
Mounting (RU)	3 RU (rack rails and hardware supplied)

## CERTIFICATIONS/RATINGS

- CE, Class A
- FCC, Class A
- ICES-003
- UL/cUL Listed
- C-Tick
- CCC\*
- KCC

\*At the time of this publication, certifications are pending. Consult the factory or [www.pelco.com](http://www.pelco.com) for the current status of certifications.

## Pelco by Schneider Electric

625 W. Alluvial, Fresno, California 93711 United States  
**USA & Canada** Tel (800) 289-9100 Fax (800) 289-9150  
**International** Tel +1 (559) 292-1981 Fax +1 (559) 348-1120  
[www.pelco.com](http://www.pelco.com) [www.pelco.com/community](http://www.pelco.com/community)

Pelco, the Pelco logo, and other trademarks associated with Pelco products referred to in this publication are trademarks of Pelco, Inc. or its affiliates. ONVIF and the ONVIF logo are trademarks of ONVIF Inc. All other product names and services are the property of their respective companies. Product specifications and availability are subject to change without notice.  
 ©Copyright 2017, Pelco, Inc. All rights reserved.

# VideoXpert™

## SCALABLE VIDEO MANAGEMENT AND SURVEILLANCE SYSTEM

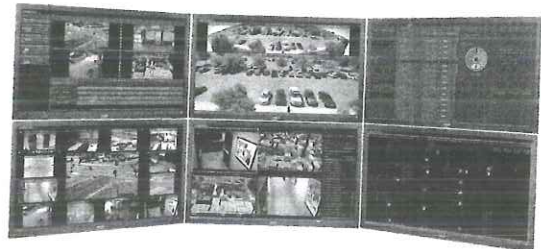
### Product Features

- Designed to eliminate single points of failure and ensure reliability through fault-tolerant software, distributed architecture, and multiple levels of redundancy
- Provides scalability and modular expansion
- Provides migration paths for Endura® and Digital Sentry® systems
- Aggregates VMS networks and manage all video through a single system (VideoXpert Ultimate distributions)
- Available in hardware and software-only distributions, for measured performance or convenient migration of customer-owned hardware
- Microsoft® Windows®-based for easy setup and maintenance
- VX Toolbox provides administration interface for device and system management capabilities
- Supports up to 6 monitors per workstation, each driven by independent CPUs, displaying up to 25 streams per monitor
- Workstations available with 3D mouse and programmable keyboard accessories to maximize operator control

VideoXpert is a video management solution designed to fit surveillance operations of any size. Whether your operation has 100 cameras or 10,000, VideoXpert presents a solution to display, record, and manage your video resources.

VideoXpert servers can be clustered to provide redundancy and scalability within a single environment, enabling the system to grow in tune with your surveillance needs. As you add cameras, users, or recording devices, you can add servers and storage, enabling the system to support the additional resources and perform to your expectations. VideoXpert Ultimate can even aggregate other VideoXpert systems, tying multiple VideoXpert systems into a single interface. Through aggregation, administrators can build and maintain a concerted video management system containing multiple sites.

Designed for Windows platforms, VideoXpert is easy to install, quick to setup, and should be familiar to most users. The system supports unicast and multicast transmission modes, making it easy to adapt to your current network scheme. Simplified interfaces ensure that users can adopt and use the system with relative ease. From the Web-based Admin Portal, you can configure the system, manage the database of devices, configure users and permissions, and assign cameras to recording devices. Through the Ops Center software, operators gain access to high quality video and powerful investigative tools.



- Extensible through plug-ins including mapping, video information overlays (eConnect), and license plate recognition (PlateSmart)
- Create and assign tags, organizing network resources as you see fit
- Native RAID 6 storage solution supports 3rd party and Pelco Optera cameras
- ONVIF compliant: Supports ONVIF S compliant cameras and devices
- Investigation mode enables operators to synchronize video playback and export investigative playlists covering scenes of interest
- Supported languages: German, Spanish, French, Italian, Korean, Polish, Portuguese, Russian, Turkish, Arabic, Japanese and Chinese (Simplified)

Administrators can migrate current Endura and Digital Sentry hardware and environments to VideoXpert, re-purposing hardware and reusing current video management infrastructures while gaining the benefits of VideoXpert. VideoXpert can also utilize NSM5200/NSM5300 and Digital Sentry storage hardware as recording solutions, preserving the video stored on those devices while providing access to VideoXpert features.

As distributed systems, VideoXpert Ultimate and Enterprise architecture ensure that there is no single point of failure that would compromise the system or video recording services. The system is designed with multiple levels of redundancy – through both purpose-built hardware and sophisticated failover and redundant recording schemes – maximizing system uptime. The architecture allows individual components to continue operating in the event of failures elsewhere in the system.

VideoXpert can integrate with physical security systems and other building systems to deliver situational awareness and control. Built around open standards, VideoXpert includes a complete application programming interface (API), software development kits (SDKs), and dedicated technical support, allowing other systems' manufacturers to develop interfaces leveraging VideoXpert's capabilities. VideoXpert also supports third-party IP cameras, allowing users to choose across hundreds of camera options from Pelco and third-party partners when configuring a system.



by Schneider Electric



C4016 / REVISED 12-13-17



## TECHNICAL SPECIFICATIONS

VideoXpert consists of four major components: Core, Media Gateway, Ops Center, and Storage Server. The Core performs central management operations, maintaining the system database, administering user rights and permissions, routing traffic, and other central operations. The Media Gateway handles all requests for video, ensuring that users at all levels of network access, LAN, WAN and even cellular, receive the right type of video for their application. The Ops Center Client is the operator console, providing an intuitive, but powerful interface from which users can access and investigate video throughout the system. The Storage Server (VXS) records video and delivers recorded video to users.

### CORE

The Core is the heart of the VideoXpert system, it maintains the database of cameras and recording devices. The Core also hosts a convenient Web interface called the Admin Portal, from which you can configure and manage the system. Through the Admin Portal, you can administer user accounts and permissions, determining the system functions and devices users can access. You can create and assign "tags" to quickly organize cameras and devices within the system. You can also configure and respond to events within the system.

The Core browser provides basic access to video streaming resources, ensuring that users with appropriate permissions can view video from the system even without a hard client, using just a standard web browser.

### MEDIA GATEWAY

The Media Gateway routes video traffic to appropriate users as requested. When a user requests a video stream, the Core fields the request and determines whether the user possesses the appropriate permissions to view the video stream. If the user can view the stream, the Media Gateway connects the user with the appropriate device — camera, encoder, or recorder as necessary.

Like Core servers, Media Gateways can be added to VideoXpert modularly, allowing a system with 1000 cameras to support 20 users, or a system with 100 cameras to support 200 users. You can add Media Gateways to the system in tune with media delivery needs.

### CORE/MEDIA GATEWAY COMBINATION

While you can leverage separate Core and Media Gateway servers for systems of sufficient scale, most systems can easily support a single server acting as a combined, Core and Media Gateway for your VideoXpert server. The double-duty server provides the complete range of VideoXpert functionality that you would expect for systems with fewer than 2000 cameras and 100 simultaneous users.

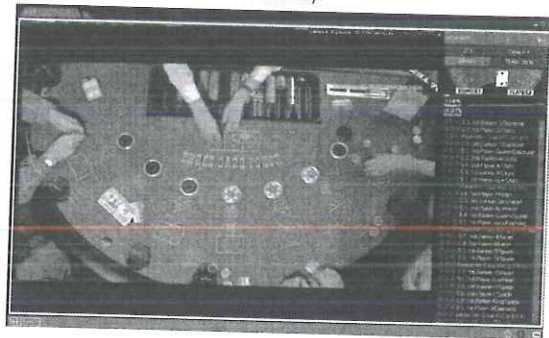
### OPS CENTER

The Ops Center is a Windows-based application, providing an optimal environment from which users can watch live and recorded video. With the support of Enhanced Decoders, the Ops Center supports up to six monitors, each capable of displaying up to 25 video streams simultaneously. Through the Ops Center, users can configure and recall complete workspaces, enabling operators to quickly log in and get to work.

The application provides mechanisms to sort cameras by tags and other criteria, making it easy for users to find the cameras they need. Users can switch between live and recorded video on the fly, ensuring a seamless viewing experience. With appropriate permissions, users can also share workspaces and even use the same tabs simultaneously, enabling collaboration within your surveillance operations.

The Ops Center also provides an Investigation Mode, through which users can create playlists from multiple video clips encompassing important scenes from an investigation. Users can export and encrypt their investigations, storing clips relevant to their investigation independent of the system's network video storage for evidentiary safe-keeping and quick access.

The Ops Center supports modular plug-ins, exposing additional functionality for operators as required by your surveillance operations. The **Mapping** plug-in enables operators to arrange and find cameras on maps. Through mapping, operators can find and the camera providing the view they need, when they need it. The **PlateSmart** plug-in exposes license plate numbers, to track vehicles as they come and go. The **eConnect** plug-in displays real-time gaming information as a video overlay.



### STORAGE

VideoXpert Storage (VXS) is a RAID 6, high-availability recording platform that captures recorded video for your VideoXpert system. The system's operating system is contained on an SSD, freeing more space for video and ensuring higher reliability; hard drives belonging to the RAID array are front-loading, making it easy to remove and replace failed drives. Storage servers also maintain performance levels in both normal and RAID error conditions, preventing dips in performance and ensuring that users can always obtain the video they need through VideoXpert.

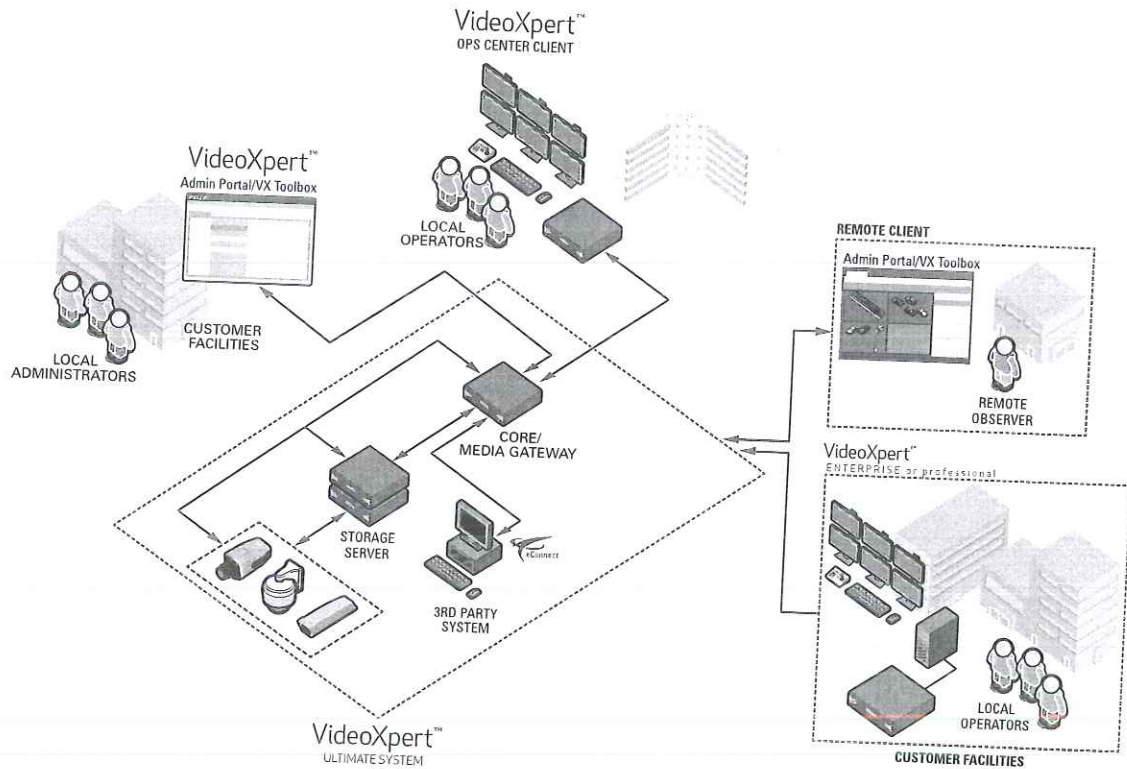
VideoXpert Storage natively supports third-party IP cameras via ONVIF S and driver packages, so you can bring your cameras into VideoXpert without expensive translation interfaces.

You can configure Storage through Admin Portal or VX Toolbox, making it easy to set recording schedules and assign cameras to your storage servers. Storage supports motion, alarm, and bump-on-alarm style recording, so you can always capture events relevant to your environment at high quality. Storage also supports redundant recording, ensuring that VideoXpert continues recording video even if a single Storage server falls offline.

# TECHNICAL SPECIFICATIONS

## SYSTEM TOPOLOGY

VideoXpert Ultimate allows for expansion at any level of your security environment. Your system begins with a single server hosting the Core and Media Gateway. In addition your system requires the OPS Center and Storage Server. As your surveillance needs grow, you can add servers to expand modularly within a single environment, or you can aggregate multiple VideoXpert systems to provide a single point of access for distributed video management networks.



## VIDEOXPERT ACCESSORY SERVER

You can install the VideoXpert Accessory Server to provide NTP, basic DHCP, active failover, and load balancing services for smaller networks. The Accessory Server offers a native, multipurpose solution to control your time and addressing services from within VideoXpert.

When acting as a load balancer, the Accessory Server bridges multiple Core/Media Gateway (CMG) servers, optimizing performance and providing redundancy for your VideoXpert network. With the Accessory Server, you can easily increase your VideoXpert network's capacity and ensure the system's uptime so that users always have access to video.

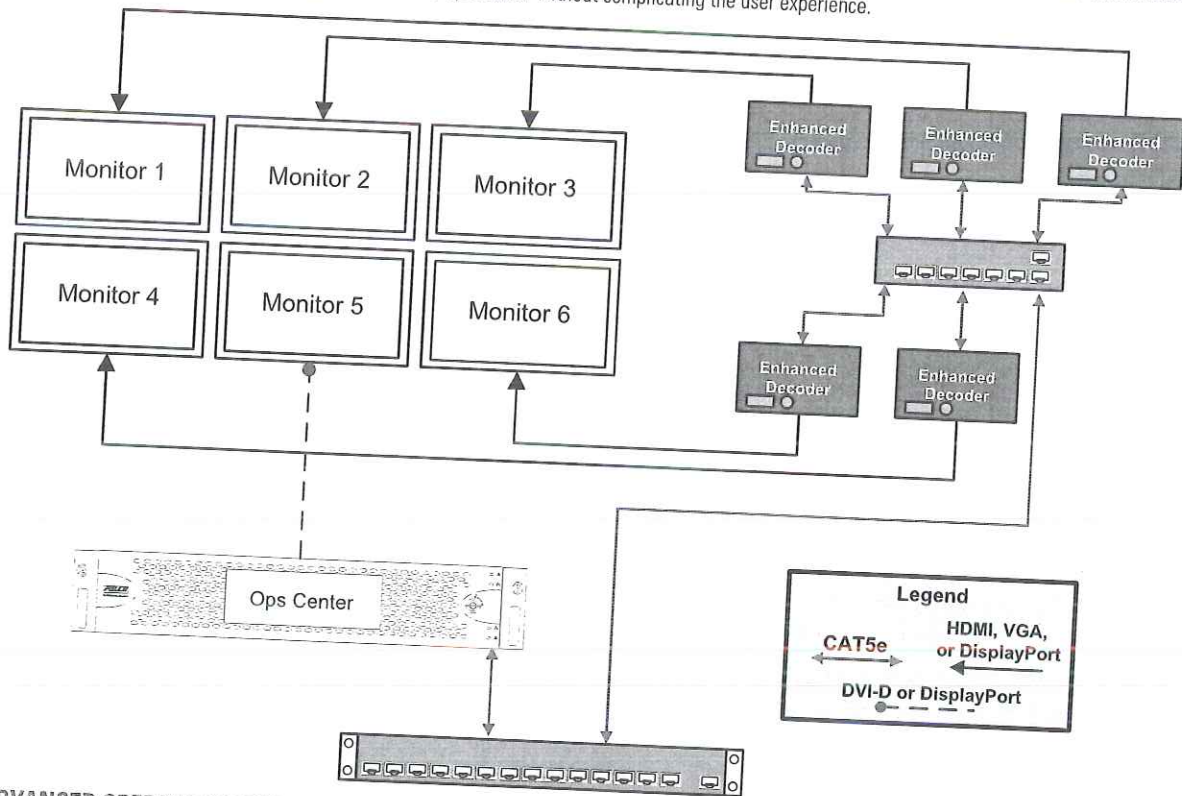


# TECHNICAL SPECIFICATIONS

## OPERATOR WORKSPACE TOPOLOGY

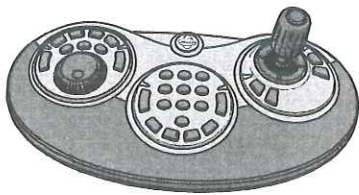
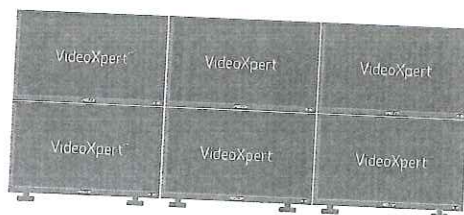
The Ops Center supports up to six monitors: one connected directly to the Ops Center, and the other five driven independently by Enhanced Decoders. The Enhanced Decoders enable each monitor connected through a workstation to display up to 25 video streams while maintaining a seamless user experience.

Enhanced Decoder-driven monitors operate just like native monitors; users can move windows across monitors seamlessly. But, when the user requests a video stream or plug-in, the Enhanced Decoder communicates directly with VideoXpert servers to get and decode video. This enables operators to maximize the display-capabilities of the Ops Center without complicating the user experience.



## ADVANCED OPERATOR CONTROLS

In addition to the standard keyboard and mouse, Ops Center workstations support an Enhanced Keyboard, and Enhanced Mouse, and the KBD5000. The Enhanced keyboard includes programmable keys to which operators can map shortcuts to their favorite tabs and workspaces; The new Enhanced Mouse or your existing KBD5000 are mapped to the full range of Ops Center controls; an operator can perform any and all operations using either control.



KBD5000



ENHANCED KEYBOARD



ENHANCED 3D MOUSE



# TECHNICAL SPECIFICATIONS

## HARDWARE

		Core/CMG	Media Gateway	Ops Center	Storage	Enhanced Decoder Accessory Server Shared Display Decoder
Processor		Intel® Xeon® E3-1275 v3			Intel® Xeon® E3-1276 v3	Intel® Core™ i7-7700T
Memory		32 GB DDR3 ECC	8 GB DDR3 Non-ECC		32 GB DDR3 ECC	8 GB DDR4
Operating System		Microsoft® Windows® Server 2012		Windows 7 (64 bit), Windows 10 (64 bit)	Microsoft® Windows® Server 2012	Windows 10 IOT Enterprise (Shared Display Decoder)
SSD Storage		480 GB	120 GB	120 GB	200 GB	256 GB
HDD	Storage	1 TB		N/A	Up to 96 TB	N/A
	RAID Level	N/A		N/A	RAID 6	
	Effective Capacity	N/A		N/A	VXS-48: 32.70 TB VXS-72: 54.50 TB VXS-96: 76.40 TB	
Optical Drive		N/A		DVD±RW	N/A	
USB Ports	USB 2.0	1 front, 2 rear			2 front, 2 rear	--
	USB 3.0	2 rear			2 rear	--
	USB 3.1	N/A			2 rear	--
	USB 3.1 Type-C	N/A				1 front, 4 rear
<b>MINIMUM SYSTEM REQUIREMENTS<sup>1</sup></b>		<b>Core/CMG</b>	<b>Media Gateway</b>	<b>Ops Center &amp; Shared Display Decoder</b>	<b>Storage</b>	<b>Enhanced Decoder Accessory Server</b>
Processor		Intel i7	Intel i7	64-bit CPU	Intel® Xeon® E3-1276 v3	Enhanced Decoder and Accessory Server are not available as a software distribution.  Refer to Ops Center minimum system requirements for Shared Display Decoder requirements.
Memory		16 GB	8 GB	8 GB (2x 4 GB dual-channel) <sup>2</sup>	32 GB DDR3 ECC	
Operating System		Microsoft® Windows® Server 2012		Windows 7 SP1 or later (64-bit) or Windows 10 (64-bit)	Microsoft® Windows® Server 2012	
Video System		Intel HD Graphics P4700 or better			VGA interface	
Interface		Gigabit Ethernet (1000Base-T)				

<sup>1</sup> Software distributions tested without antivirus software installed.

<sup>2</sup> Failing to use dual-channel memory may result in lowered performance when viewing video on local monitors.

## VIDEO

		Core/CMG	Media Gateway	Ops Center	Storage	Enhanced Decoder Accessory Server Shared Display Decoder
Video System		Intel HD Graphics P4700		Intel HD Graphics P4700; supports optional upgrade	VGA interface; VXS models are designed to be configured remotely through web interface.	Intel HD
Memory		Shared		Shared; 1 GB for OPS-WKS6		Shared
Video Outputs		2x DisplayPort, DVI-D, VGA		2x DisplayPort, DVI-D, VGA; Supports up to 6 outputs for OPS-WKS6		DisplayPort, HDMI
Max Resolution	DisplayPort	3840 x 2160 at 60 Hz				3840 x 2160 at 60 Hz
	DVI-D and VGA	1920 x 1200 at 60 Hz				1920 x 1200 at 60 Hz
Video Standards	NTSC	60 Hz				60 Hz
	PAL	75 Hz				50 Hz
<b>NETWORKING</b>		<b>Core/CMG</b>	<b>Media Gateway</b>	<b>Ops Center</b>	<b>Storage</b>	<b>Enhanced Decoder Accessory Server Shared Display Decoder</b>
Interface		Gigabit Ethernet (1000Base-T) ports (2x)				Gigabit Ethernet (1000Base-T) port (1x)
Throughput		N/A		450 Mbps recording / 176 Mbps playback (Simultaneously)		N/A

# TECHNICAL SPECIFICATIONS

## FRONT PANEL

		Core/CMG	Media Gateway	Ops Center	Storage	Enhanced Decoder Accessory Server Shared Display Decoder
Buttons		Power, configuration/reset				
Indicators	Unit Status	Green, amber, red				Power
	Primary Network	Green, amber, red			Blue, red, off	White, flashing white
	Secondary Network	Green, amber, red			Green, off	Green, orange, off
	Software Status	Green, amber, red (based on diagnostics)			Green, off	N/A
	Hard Disk Status	Green, red, off (behind bezel)			OS Drive (SSD): Amber, off RAID Drives: Blue, red, off	Flashing white
	Power Status	N/A				
	Power Fail Status	N/A			Green, off Red, off	N/A N/A

## POWER

		Core/CMG	Media Gateway	Ops Center	Storage	Enhanced Decoder Accessory Server Shared Display Decoder
Power Input		100 to 240 VAC 50/60 Hz, autoranging				
Power Supply		Internal			Internal, Redundant Power Supply	External, 65 W
Power Consumption	100 VAC	160 W, 1.60 A, 547 BTU/H			N/A	19.5 VDC, 3.34 A
	115 VAC	160 W, 1.39 A, 547 BTU/H			N/A	
	120 VAC	N/A			414W, 3.45A, 1411 BTU/H *	
	220 VAC	160 W, 0.72 A, 547 BTU/H			N/A	
	240 VAC	N/A			406W, 1.69A, 1386 BTU/H *	

\* Power consumption is based upon maximum capacity.

## ENVIRONMENTAL

		Core/CMG	Media Gateway	Ops Center	Storage	Enhanced Decoder Accessory Server Shared Display Decoder
Operating Temperature		10° to 35°C (32° to 95°F) at unit air intake (front of unit)				5° to 35°C (41° to 95°F)
Non-Operating Temperature		-40° to 65°C (-40° to 149°F)			-40° to 60°C (-40° to 140°F)	-40° to 65°C (-40° to 149°F)
Operating Relative Humidity		20% to 80%, noncondensing			20% to 95%, noncondensing	20% to 80%, noncondensing
Non-Operating Relative Humidity		10% per hour			5% to 95%, noncondensing	10% per hour
Operating Altitude		-15 to 3,048 m (-50 to 10,000 ft)				
Operating Vibration		0.25 G at 3 Hz to 200 Hz at a sweep rate of 0.5 octave/minute				0.66 GRMS

**Note:** The temperature at the unit air intake can be significantly higher than room temperature. Temperature is affected by rack configuration, floor layout, air conditioning strategy, and other issues. To prevent performance failure and unit damage, make sure the temperature at the unit is continuously within the operating temperature range.

## PHYSICAL

		Core/CMG	Media Gateway	Ops Center	Storage	Enhanced Decoder Accessory Server Shared Display Decoder
Construction		Steel and plastic cabinet				
Finish	Front Panel	Dark gray with metallic silver end caps				Black
	Chassis	Dark gray				Black
Dimensions (D x W x H)		50.8 x 43.4 x 8.9 cm (20 x 17.1 x 3.5 in)			64.8 x 43.7 x 13.2 cm (25 x 17.2 x 5.2 in)	3.6 x 17.8 x 18.2 cm (1.14 x 7.0 x 7.2 in)
Mounting (RU)		2 RU				
Unit Weight		13.06 kg (28.8 lb)	12.38 kg (27.29 lb)	12.38 kg (27.29 lb)	35.5 kg (78 lb)	N/A (mount included) 1.41 kg (3.12 lb)



# TECHNICAL SPECIFICATIONS

## SOFTWARE LICENSES, SERVERS, AND WORKSTATION MODELS

While Pelco servers, workstations, and recorders do not require activation licenses, certain software features and platform upgrades do. Aggregated cameras and cameras recorded to VideoXpert Storage require a single license per channel. Consult Pelco Sales to ensure you obtain all the necessary equipment and licenses required to support your environment.

Due to the complexity of network and system design for larger distributions, VideoXpert Ultimate requires either training certification, or that the installation be performed by Pelco Professional Services. While not required for Enterprise distributions, it is strongly recommended that system installers and administrators be Pelco-certified.

Distribution	Model	Description
(Ultimate) U1 or (Enterprise) E1	CMG-SVRP	VideoXpert Core and Media Gateway all-in-one hardware; EU, US, and UK power cords included
	COR-SVRP	VideoXpert Core server hardware; EU, US, and UK power cords included
	MGW-SVRP	Media Gateway server hardware; EU, US, and UK power cords included
	NSM-1UP	Upgrade license enabling NSM5200/5300 models to support VideoXpert systems, 100 channel licenses included
	DSS-1UP	Upgrade license enabling DS servers to serve as recorders within VideoXpert, 50 channel licenses included
	1C-SUP1	Software upgrade subscription; entitles you to upgrades for one year
	1C-SUP3	Software upgrade subscription; entitles you to upgrades for three years
	1C	Camera license
	32C	32 camera licenses
E1	OPS-WKSP	Ops Center workstation; EU, US, and UK power cords included
E1	OPS-WKS6P	Ops Center workstation with upgraded graphics card, enabling use of up to 6 monitors using Enhanced Decoders (D10U-A2-DEC). EU, US, and UK power cords included
E1	BASE	Enterprise base license, including one Core, one Media Gateway, one VXS license, and 32 camera licenses
U1	AGG-1C	Ultimate site upgrade license for managing one camera

## STORAGE MODELS

Use the table below to find the model number for your VideoXpert Storage Server. The model number consists of the VideoXpert distribution, model, the amount of storage, and the country-code (where applicable). Models ending in US and EUK include power cords for their respective regions; models without a country code do not. For example, an Enterprise Storage Server with 48 TB of storage for the US is labeled E1-VXS-48-US.

Distribution	Model	Storage (in TB)	Country Code (optional)	Description
(Ultimate) U1 (Enterprise) E1	VXS	48	US = North America EUK = Europe/United Kingdom	VXS with 48 TB storage (32.70 TB effective storage)
		72		VXS with 72 TB storage (54.50 TB effective storage)
		96		VXS with 96 TB storage (76.40 TB effective storage)

## VIDEOXPRT PLAYER

The VideoXport player decrypts, validates, and plays-back secured exports from VideoXpert. You can download the player directly from VideoXpert along with an exported video file or you can download it from Pelco.com. These are the minimum system requirements for non-VideoXpert machines running the VideoXport player:

Hardware Requirements	<ul style="list-style-type: none"> <li>Dual Core i5 2.67 GHZ</li> <li>4 GB RAM</li> <li>200+ GB of free HDD space or more</li> <li>GPU that supports OpenGL 3.0 or higher</li> <li>1024 x 768 or higher screen resolution</li> <li>100/1000 Ethernet Network Interface Card</li> <li>Sound Card</li> </ul>
Software Requirements	<ul style="list-style-type: none"> <li>Windows 7 Pro or Ultimate 64 bit or higher</li> <li>.NET 4.6.1 or higher</li> <li>OpenGL 3.0 or higher</li> <li>Direct3D 9 or higher</li> </ul>

# TECHNICAL SPECIFICATIONS

## SUPPORTED LANGUAGES

The Admin Portal and Ops Center interfaces are available in:

- German
- Spanish
- French
- Italian
- Korean
- Polish
- Portuguese
- Russian
- Turkish
- Arabic
- Chinese (simplified)
- Japanese

## SUPPLIED ACCESSORIES

Keyboard (Core, Media Gateway, CMG, and Ops Center models)

Mouse (Core, Media Gateway, CMG, and Ops Center models)

USB drive containing resource and recovery information

Rack mount kit

Power cord (for applicable models)

## OPTIONAL POWER ACCESSORIES

PWRCRD-S-AR	Standard power cord, Argentina
PWRCRD-S-AU	Standard power cord, Australia
PWRCRD-S-EU	Standard power cord, Europe
PWRCRD-S-UK	Standard power cord, United Kingdom
PWRCRD-S-US	Standard power cord, United States
PWRCRD-R-AR	Round power cord, Argentina
PWRCRD-R-AU	Round power cord, Australia
PWRCRD-R-EU	Round power cord, Europe
PWRCRD-R-UK	Round power cord, United Kingdom
PWRCRD-R-US	Round power cord, United States

## VIDEOXPRT ACCESSORY SERVER

VX-A3-ACC VideoXpert Accessory Server with US, Europe, and United Kingdom power cords

## OPS CENTER CLIENT OPTIONAL ACCESSORIES

VX-A3-DEC	Enhanced Decoder and mount with US, Europe, and United Kingdom power cords
VX-A3-SDD	Shared Display Decoder with US, Europe, and United Kingdom power cords
3DX-600-3DMOUSE	Enhanced 3D Mouse and Joystick
Y-U0023-G910KBD	Enhanced Keyboard
A1-KBD-3D-KIT2	Enhanced Keyboard and 3D Mouse Combination Kit

## STORAGE SERVER ACCESSORIES

VXS-HDD-6TB	Replacement 6 TB hard drive and carrier for VXS Models
-------------	--

## STANDARDS/ORGANIZATIONS

- Pelco is a member of the MPEG-4 Industry Forum
- Pelco is a member of the Universal Plug and Play (UPnP) Forum, Steering Committee
- Pelco is a member of the Universal Serial Bus (USB) Implementers Forum
- Pelco is a contributor to the International Standards for Organization / Electrotechnical Commission (ISO/IEC) Joint Technical Committee 1 (JTC1), "Information Technology," Subcommittee 29, Working Group 11
- Compliance, ISO/IEC 14496 standard (also known as MPEG-4)
- Compliance, International Telecommunication Union (ITU) Recommendation G.711, "Pulse Code Modulation (PCM) of Voice Frequencies"
- Compliance, Open Network Video Interface Forum (ONVIF) Profile S

## CERTIFICATIONS

At the time of this publication, certifications for Class A products are pending. Consult the factory, our Web site ([www.pelco.com](http://www.pelco.com)), or the most recent B.O.S.S.® update for the current status of certifications.

	Core/CMG	Media Gateway	Ops Center	Storage	Enhanced Decoder Accessory Server Shared Display Decoder	Enhanced 3D Mouse 3DX-600-3DMOUSE	Enhanced Keyboard Y-U0023-G910KBD
CE							
FCC, Part 15	Class A	Class A	Class A	Class A	Class B	Class B	Class B
ICES-003							
UL/cUL Listed	✓	✓	✓	✓	✓		✓
C-Tick	✓	✓	✓	✓	✓		✓
CCC	✓	✓	✓	✓	✓	✓	
KC	✓	✓	✓	✓	✓	✓	

**Pelco by Schneider Electric**  
 625 W. Alluvial, Fresno, California 93711 United States  
**USA & Canada** Tel (800) 289-9100 Fax (800) 289-9150  
**International** Tel +1 (559) 292-1981  
[www.pelco.com](http://www.pelco.com) [www.pelco.com/community](http://www.pelco.com/community)

Pelco, the Pelco logo, and other trademarks associated with Pelco products referred to in this publication are trademarks of Pelco, Inc. or its affiliates. ONVIF and the ONVIF logo are trademarks of ONVIF Inc. All other product names and services are the property of their respective companies. Product specifications and availability are subject to change without notice.  
 ©Copyright 2017, Pelco, Inc. All rights reserved.



# VideoXpert™ Storage

450 MBPS RECORDING THROUGHPUT, UP TO 96 TB RAW CAPACITY, RAID 6

## Product Features

- Recording throughput up to 450 Mbps (300 Streams) meets demanding performance requirements for write-intensive applications
- Hardware designed to eliminate single points of failure, including RAID 6 Storage for optimum reliability
- Includes support for 3rd party cameras without a translation interface
- ONVIF compliant: Supports ONVIF S compliant cameras and devices
- Multicast recording support allows for recording of multicast data streams for restricted bandwidth scenarios
- Failover and redundant recording maximizes system uptime for mission-critical applications
- Serves up to 32 simultaneous playback streams independently of recording throughput



- Includes support for audio recording and playback for Pelco cameras
- Includes VideoXpert Storage software with 3-year upgrade plan and full platform support
- Performance Levels Maintained during RAID Error Conditions

VideoXpert™ Storage (VXS) is a RAID 6, high-availability recording platform that captures, stores, and serves recorded video for your VideoXpert system. As a high-density platform, VideoXpert Storage has double the capacity of any recorder previously available to VideoXpert.

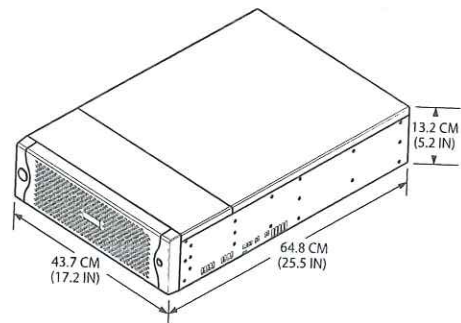
The VideoXpert Storage hardware platform is designed to maximize uptime and ensure that you never lose access to your mission-critical video data. Its RAID 6 storage configuration provides double parity protection of recorded data; the hard drive bay is cooled through the use of high capacity, redundant fans to ensure that the drives are kept at an optimum operating temperature; and its fully redundant power supplies guard against power supply failures.

The platform's operating system is contained on an SSD, freeing more space for video and ensuring high reliability as well as maximizing performance and throughput. Hard drives belonging to the RAID array are front-loading and hot-swappable, making it easy to remove and replace failed drives. VideoXpert Storage servers also maintain performance levels in both normal and RAID error conditions, preventing dips in performance and ensuring that users can always obtain the video they need through VideoXpert.

VideoXpert Storage hardware includes the Storage software, complete with a 3-year upgrade plan and Pelco support.

The Storage platform maximizes support for recording groups within VideoXpert. It allows you to configure pre- and post-event recording periods within VideoXpert, so that you capture the appropriate amount of video for any event. You can also configure "bump-on-alarm" recording schedules. You can set VideoXpert Storage to operate using unicast or multicast streams, making Storage easily adaptable to your surveillance network. VideoXpert Storage also supports failover and redundant recording schemes, ensuring your video remains available even if a single Storage server in the cluster fails.

The VideoXpert Storage platform natively supports third-party IP cameras as well as Optera cameras, so you can bring your 3rd party cameras into VideoXpert without expensive translation interfaces. Using VideoXpert Storage, your third-party cameras appear and operate within VideoXpert just as native Pelco cameras.



# TECHNICAL SPECIFICATIONS

## MODELS

Your model number consists of your VideoXpert software distribution, the base model (VXS), the total storage capacity, and country code, if you want the unit shipped with a particular power cord. For example, an ultimate model with 96 TB storage with a US power cord is modeled as U1-VXS-96-US.

Distribution	Model	Storage (in TB)	Country Code (optional)
(Ultimate) U1 (Enterprise) E1	VXS	48	US = North America EUK = Europe/United Kingdom
		72	
		96	

## SUPPLIED ACCESSORIES

USB drive	Contains resource and recovery information
Rack Mount Kit	Brackets, rails, and hardware
Power cord	For applicable models, otherwise, order the PWRCRD model supporting your region

## OPTIONAL ACCESSORIES

VXS-HDD-6TB	Replacement 6 TB hard drive and carrier for VXS Models
PWRCRD-S-AR	Standard power cord, Argentina
PWRCRD-S-AU	Standard power cord, Australia

## SYSTEM

Processor	Intel Xeon E3-1276 v3
Memory	32 GB DDR3 ECC
Operating System	Microsoft Windows Server 2012
SSD Storage (OS)	200 GB
Raid Level	RAID 6
Effective Capacity	
VXS-48	32.70 TB
VXS-72	54.50 TB
VXS-96	76.40 TB
Drive Interface	SAS/SATA II
USB Ports	
USB 2.0	2 front, 2 rear
USB 3.0	2 rear

## NETWORK

Interface	2, 1 Gbps Ethernet RJ-45 ports (1000Base-T)
Recording Throughput	300 Streams/450 Mbps
Viewing Throughput	32 Streams/176 Mbps

## FRONT PANEL INDICATORS

Unit Status	Blue, red, off
Primary Network	Green, off
Secondary Network	Green, off
Hard Disk Status	
OS Drive (SSD)	Amber, off
RAID Drives (HDD)	Blue, red, off
Power Status	Green, off
Power Fail Status	Red, off

## POWER

Power Input	100 to 240 VAC, 50/60 Hz, autoranging
Power Supply	Internal, redundant
Power Consumption*	Operating Average
120 VAC	
48 TB	308 W, 2.57 A, 1051 BTU/H
72 TB	361 W, 3.01 A, 1231 BTU/H
96 TB	414 W, 3.45 A, 1411 BTU/H
240 VAC	
48 TB	302 W, 1.26 A, 1031 BTU/H
72 TB	354 W, 1.48 A, 1209 BTU/H
96 TB	406 W, 1.69 A, 1386 BTU/H

\*Power budgets represent worst-case scenarios. Actual power consumption may vary based on workload and environment, but a power budget estimate is usually 20%-25% greater than actual power measurements when using the Linpack HPL workload application.

## ENVIRONMENTAL

Operating Temperature	10° to 35°C (32° to 95°F) at unit air intake
Storage Temperature	-40° to 60°C (-40° to 140°F)
Relative Humidity	
Operating	20% to 95%, noncondensing
Non-Operating	5% to 95%, noncondensing
Operating Altitude	-16 to 3,048 m (-50 to 10,000 ft)
Operating Vibration	0.25 G at 3 Hz to 200 Hz at a sweep rate of 0.5 octave/minute

**Note:** The temperature at the unit air intake, measured at the front of the bezel, can be significantly higher than room temperature. Temperature is affected by rack configuration, floor layout, air conditioning strategy, and other issues. To prevent hard disk drive failure and unit damage, make sure the temperature at the air intake of the unit is continuously within the operating temperature range.

## PHYSICAL

Construction	Steel and plastic cabinet
Finish	
Front Panel	Dark gray with metallic silver end caps
Chassis	Silver
Dimensions (without rails)	64.8 x 43.7 x 13.2 cm (25" D x 17.2" W x 5.2" H)
Unit Weight	35.5 kg (78 lb)
Mounting (RU)	3 RU (rack rails and hardware supplied)

## CERTIFICATIONS/RATINGS

- CE, Class A
- FCC, Class A
- ICES-003
- UL/cUL Listed
- C-Tick
- CCC\*
- KCC

\*At the time of this publication, certifications are pending. Consult the factory or [www.pelco.com](http://www.pelco.com) for the current status of certifications.

## Pelco by Schneider Electric

625 W. Ailuvial, Fresno, California 93711 United States  
**USA & Canada** Tel (800) 289-9100 Fax (800) 289-9150  
**International** Tel +1 (559) 292-1981 Fax +1 (559) 348-1120  
[www.pelco.com](http://www.pelco.com) [www.pelco.com/community](http://www.pelco.com/community)

Pelco, the Pelco logo, and other trademarks associated with Pelco products referred to in this publication are trademarks of Pelco, Inc. or its affiliates. ONVIF and the ONVIF logo are trademarks of ONVIF Inc. All other product names and services are the property of their respective companies. Product specifications and availability are subject to change without notice.  
 ©Copyright 2017, Pelco, Inc. All rights reserved.