

# FireLock® Sprinkler Guards

## PRODUCT DESCRIPTION



**V27 Intermediate Upright Guard**

The Models V27 and V34 Sprinkler Guards are designed to protect the sprinkler from mechanical damage. Each guard is constructed from chrome plated steel wire welded to steel plates.

The Model V27 Guard is designed for use with the Model V27\* Series pendent, intermediate pendent and upright sprinklers in standard and quick response.

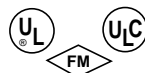
The Model V27 Series Intermediate Upright Guard is designed for use with the Model V27\* Series



**V27 Guard**



**V34 Intermediate Upright Guard**



See Victaulic publication 10.01 for details.

upright sprinklers in standard and quick response.

The Model V34 Guard is designed for use with the Model V34\* Series pendent, intermediate pendent and upright sprinklers, standard and large orifice, in standard and quick response.

The Model V34 Intermediate Upright Guard is designed for use with the Model V34\* Series upright sprinklers in standard and quick response.

Model V34/V36 Guard is designed for use on either

Models V34\* or V36\* Series sprinklers.

The retaining screws are applied from one side of the part and are equipped with retainers to prevent loss of loose screws during installation.

*\*Please refer to chart on next page for specific sprinkler models.*



**V34 Guard**



**V34/V36 Guard**

## TECHNICAL SPECIFICATIONS

**Guard:** Steel wire (13 gage) welded to steel (UNS G10100) plates

**Finish:** Chrome plated

**Screws:** Two #8-32 X 1/2", Steel, Type 1A combination drive

**VICTAULIC® IS AN ISO 9001 CERTIFIED COMPANY**

**Victaulic Company of America**  
Phone: 1-800-PICK-VIC (1-800-742-5842)  
Fax: 610-250-8817  
e-mail: pickvic@victaulic.com

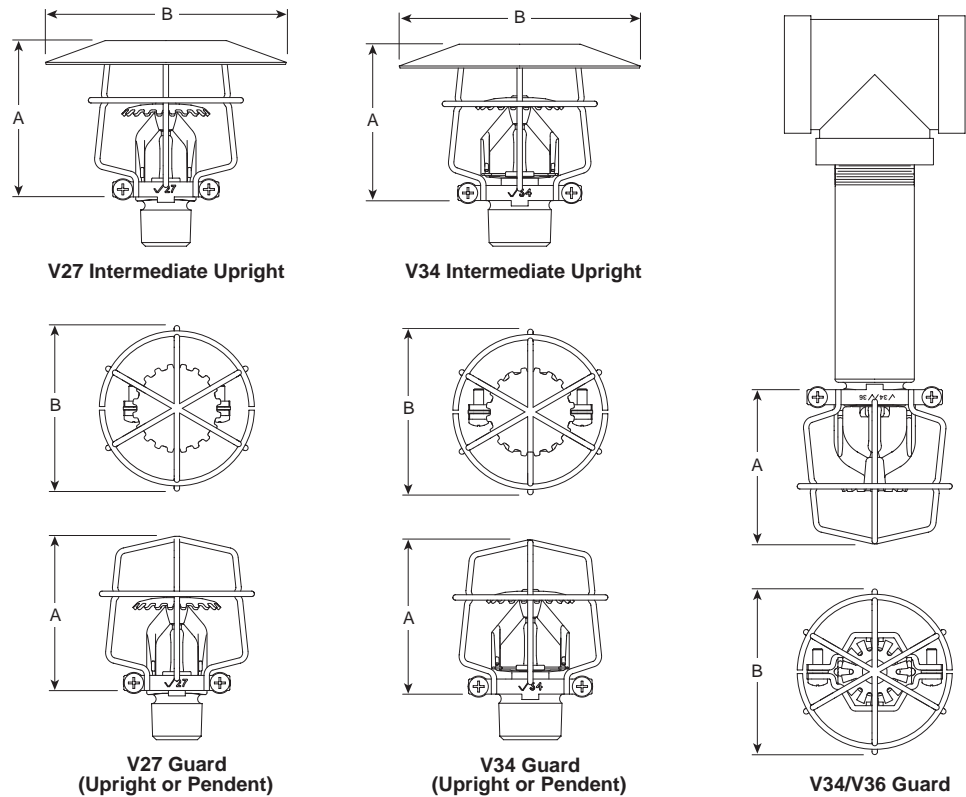
**Victaulic Company of Canada**  
Phone: 905-884-7444  
Fax: 905-884-9774  
e-mail: viccanada@victaulic.com

**Victaulic Europe**  
Phone: 32-9-381-1500  
Fax: 32-9-380-4438  
e-mail: viceuro@victaulic.be

**Victaulic America Latina**  
Phone: 610-559-3300  
Fax: 610-559-3608  
e-mail: vical@victaulic.com

**Victaulic Asia Pacific**  
Phone: 65-6235-3035  
Fax: 65-6235-0535  
e-mail: vicap@victaulic.com

## DIMENSIONS



Guard Part Number	Agency	Description	For Use With	Dimensions Inches/millimeters	
				Height A	Diameter B
SA51000020	UL, ULC, FM	Model V27 Guard	V2701, V2702, V2703, V2704, V2705, V2706, V2707, V2708, V2723, V2724	2.56 65,1	2.75 69,9
SA51Q00020	UL, ULC, FM	Model V27 Intermediate Upright Guard	V2703, V2704	2.56 65,1	4.00 101,6
SA52000020	UL, ULC, FM	Model V34 Guard	V3401, V3402, V3403, V3404, V3405, V3406, V3407, V3408, V3419, V3420	2.56 65,1	2.75 69,9
SA52Q00020	UL, ULC, FM	Model V34 Intermediate Upright Guard	V3401, V3402, V3403, V3404	2.56 65,1	4.00 101,6
SA72000020	UL, ULC	Model V34/V36 Guard	V3601 through V3608, V3401, V3402, V3403, V3404, V3405, V3406, V3407, V3408, V3419, V3420	2.56 65,1	2.75 69,9

## ORDERING INFORMATION

**Please specify the following when ordering:**

- Guard Part Number
- Style (Guard only or Intermediate Upright)
- Quantity

## WARRANTY

Victaulic Company agrees to repair or replace goods found to be defective in material and/or workmanship for a period of one year from the date of shipment, as described in the Warranty section of the current Price List or Catalog.

Any alteration to the sprinkler after it leaves the factory, including but not limited to: deflection bending, painting, plating, coating or other modification, may render the sprinkler inoperative and will

nullify approvals and void any warranty, express or implied, made by Victaulic Company.

This product shall be manufactured by Victaulic Company. All products to be installed in accordance with current Victaulic installation/assembly instructions. Victaulic reserves the right to change product specifications, designs and standard equipment without notice and without incurring obligations.