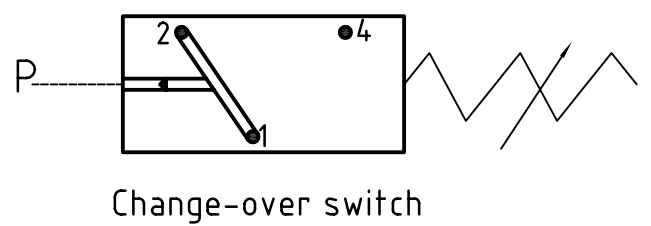
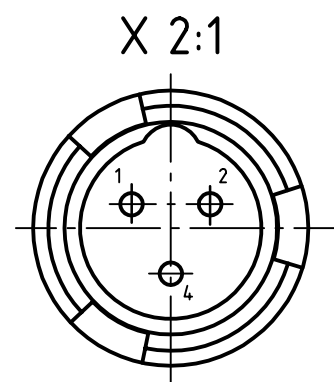
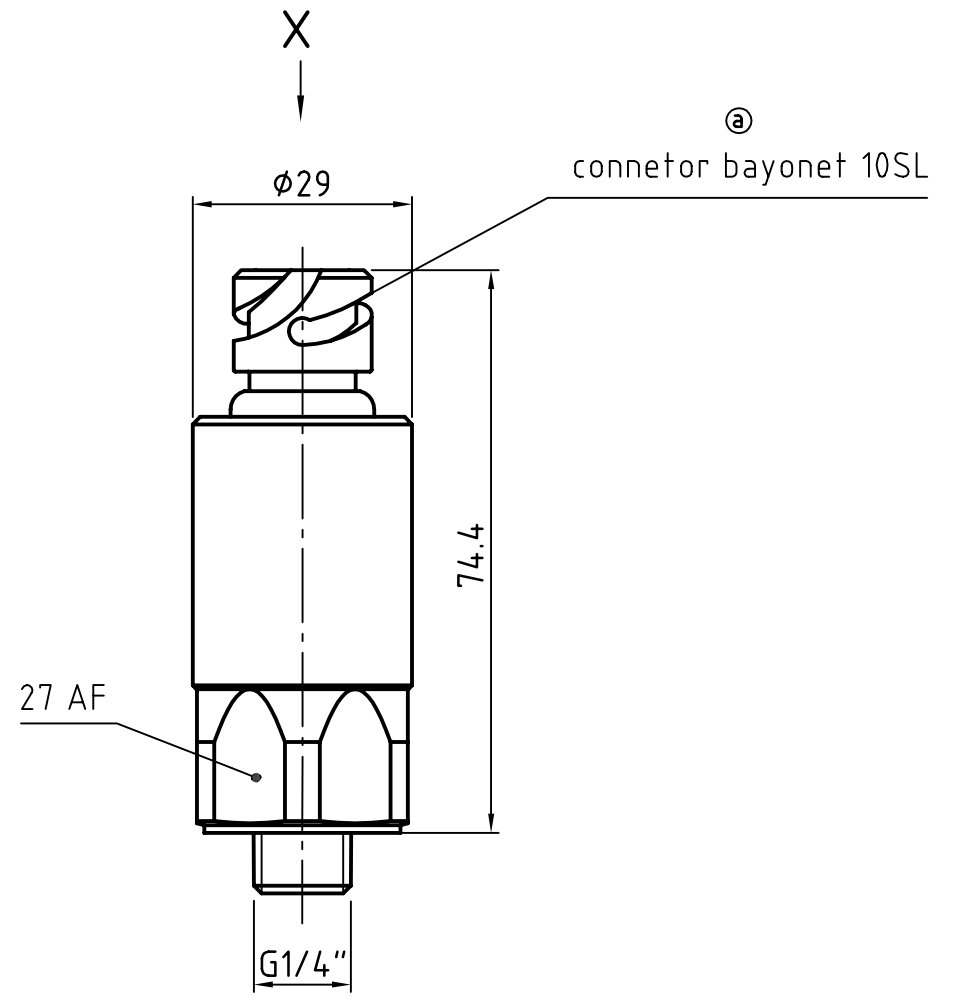


Any non-compliance shall obligate the violator to compensate for damages. In case any patent is issued or a utility model is registered, or in case of any other industrial property rights, all such rights must be reserved for us.

BEDIA Motorentechnik GmbH & Co. KG, Leinburg/Weißenbrunn

The copyright to this drawing belongs to us. No duplication or transfer to, providing access to or communicating to any third parties is allowed of its contents or excerpts thereof. This drawing may not be used without our approval for any purpose other than that for which it has been entrusted to the recipient.



Technical Data

Switch:	normally closed contact
Adjustment range in bar:	50-200
Tolerance in bar at room temp.:	±5
Statistical over-pressure up to*:	600 bar
Maximum voltage:	42V
Hysteresis adjustment:	ca. 20% v 135 bar
Duty:	100VA
Protection:	IP67 to DIN40050, terminals IP00
Temperature range:	-30°C to 120°C (according to diaphragm material)
Diaphragm material:	NBR
Mechanical life:	10 <sup>6</sup> operations
Maximum operation:	200/min
Body material:	zinc plated steel (Fe/Zn12cC)
① Connector:	connector bayonet 10SL

\*Statistical overpressure safety. The dynamic rating of the overpressure safety is smaller than 30 to 50%.  
The overpressure safety corresponds to the hydraulic, pneumatic part of the pressure switch.

TEREX no: 15315757

field of application		admissible tolerance	surface	scale 1:1	position - amount -
		ISO2768-mK	-	-	-
		date	name	description	
		created by 21.02.2003	M.Möderer	<b>Pressure switch</b> with stepless set-point	
		checked by 21.02.2003	Wojtynek		
			drawing number		sheet
			420334		1/1
a	see drawing	15.06.05	Möderer/Zibes	drawing path: \\CAD\420\420334US.dwg	
rev.	modification	date	name/checked by		

