

1

2

3

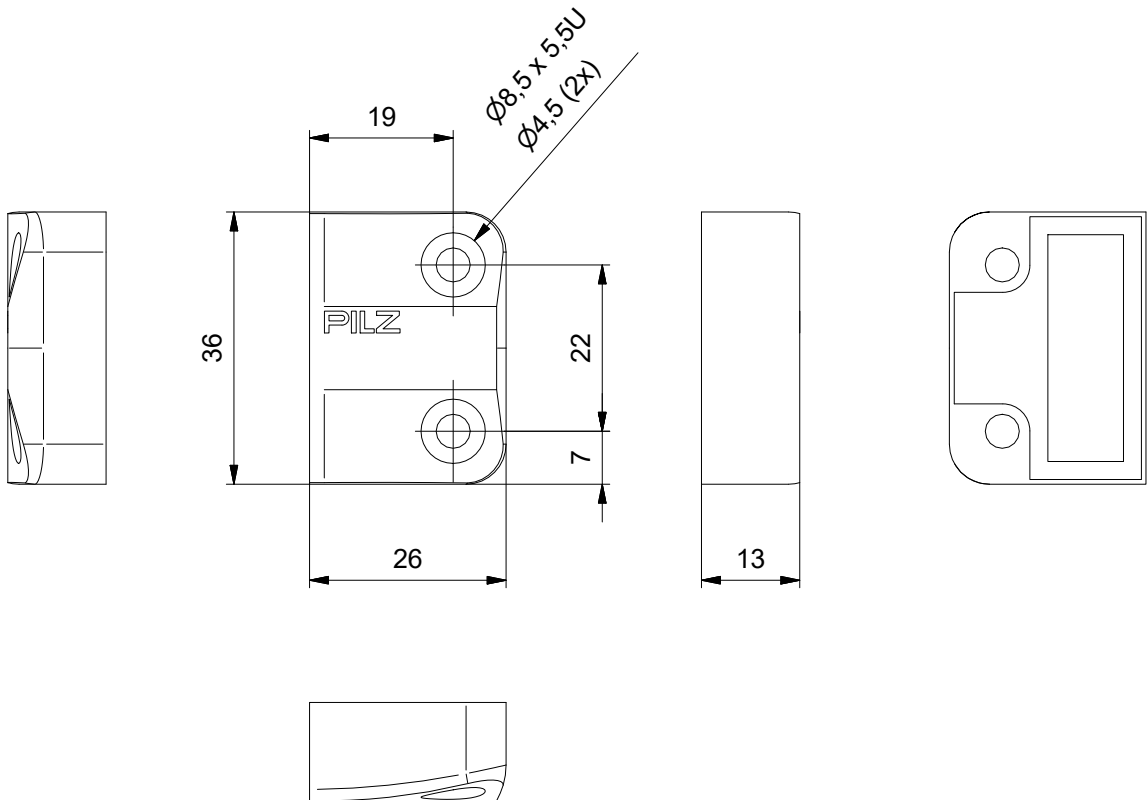
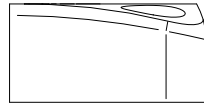
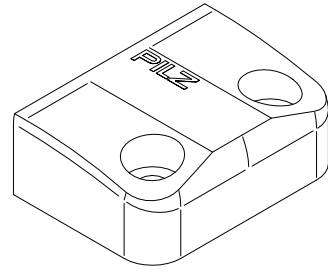
4

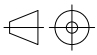
A

B

C

D



Observe protection note to DIN34	B	H-2243	14.02.2018	ES-PE	ES-PE	-			
	Index	ECO no.	Date	Editor	Checked	-			
	Scale			Date	Name	MODEL: 2009757	DRW: 2009756		
	1:1		Created	14.02.2018	ES-PE	<b>Internet Dokument</b> <b>internet document</b> <b>PSEN_X_1_actuator</b>			
	Material	Checked	14.02.2018	ES-PE					
	-	Norm	-	-					
	All dimensions are in mm								
	Surface	Unspecified tolerance				Doc.-No.	2009756		Page 1
	-					Mat.-No.	-		of 1
	-								
<b>PILZ</b>									