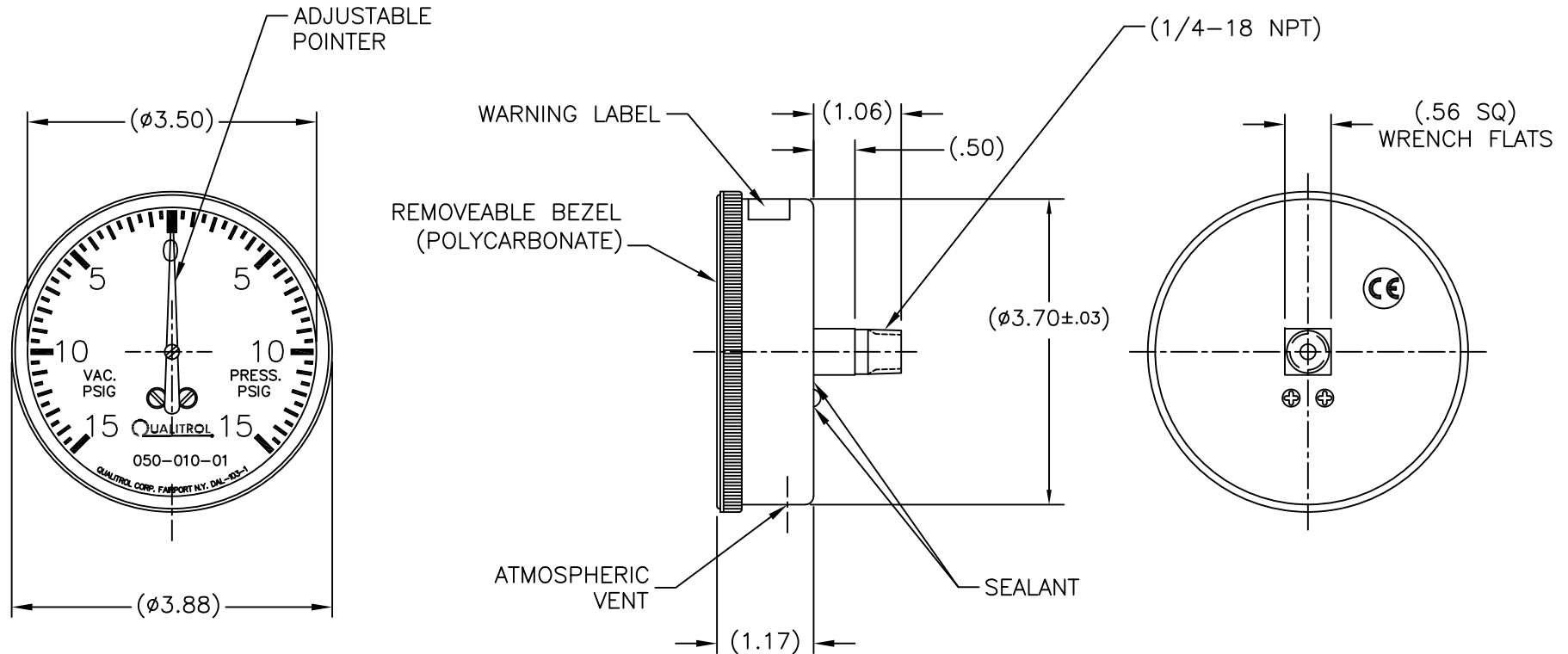


NOTICE  
 THIS DRAWING IS THE PROPERTY OF QUALITROL COMPANY LLC AND IS LOANED ONLY ON THE CONDITION THAT IT WILL BE USED TO FACILITATE THE PURPOSE FOR WHICH INTENDED AND NOT BE REPRODUCED, COPIED OR OTHERWISE DISPOSED OF, AND IS NOT TO BE USED IN WHOLE OR PART FOR FURNISHING INFORMATION RELATIVE TO THE MAKING OF DRAWINGS, PARTS APPARATUS OR PARTS THEREOF, EXCEPT BY WRITTEN ORDER FROM QUALITROL COMPANY LLC.

MODEL NO. 050-010-01

NOTES:

- GAGE ACCURACY: CLASS B MIDDLE HALF OF RANGE =  $\pm 0.6$  PSIG  
 BALANCE OF RANGE =  $\pm 0.9$  PSIG  
 MUST CONFORM TO ANSI B40.1  
 © LATEST REV. & QUALITROL PPS-59.
- DIAL COLORS: BACKGROUND = FLAT BLACK  
 POINTER & MARKINGS = WHITE
- DIMENSIONS ARE FOR REFERENCE ONLY.
- CASE: 300 SERIES STAINLESS STEEL



-	10-7-16	ADDED NOTE 4, CASE WAS PAINTED STEEL	35555
-	8-25-16	ADDED CE LABEL	35420
-	12-14-00	REDRAWN IN CAD; UPDATED QUALITROL LOGO	21822
LET	DATE	ALTERATION	C.N.

**QUALITROL**

DIMENSIONS AND TOLERANCES IN ACCORDANCE WITH ASME Y14.5M-1994

PH. (585) 586-1515  
 FAX (585) 377-0220

1385 FAIRPORT ROAD  
 FAIRPORT, NY 14450

FORM 0-473 REV. F 04/06/06

TITLE: PV GAGE 15-0-15 PSIG

MODEL NO. 050-010-01