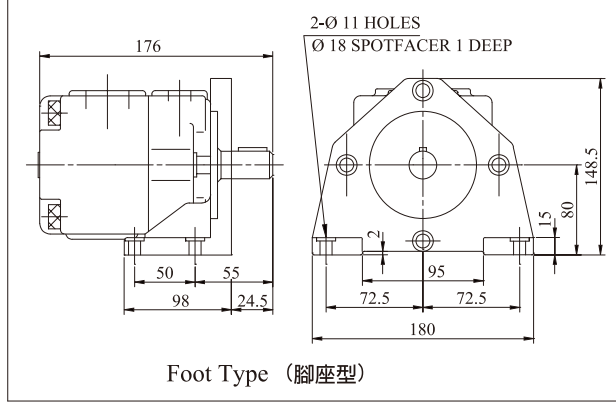
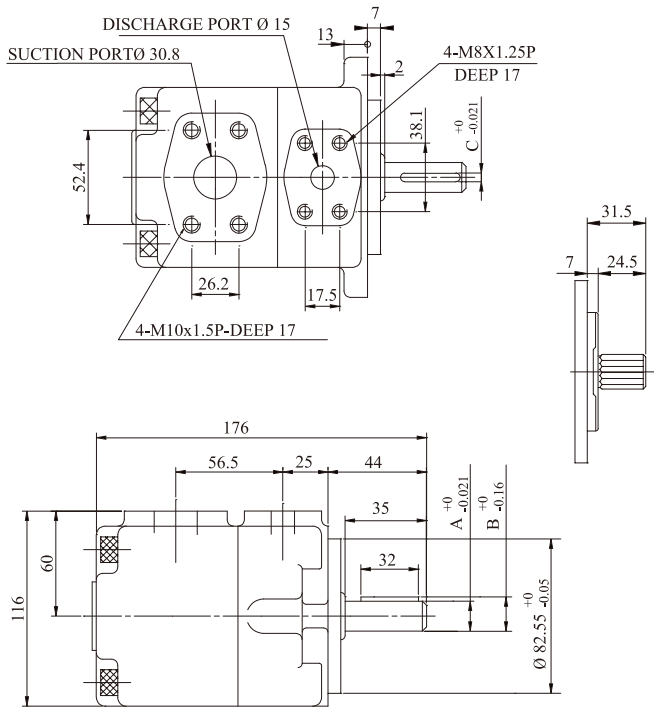
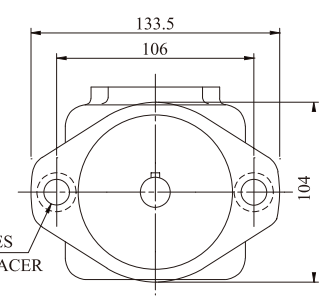


VQ15 Max. Pressure: 240 Kg/cm² (Peak)
Max. Speed: 1800 rpm

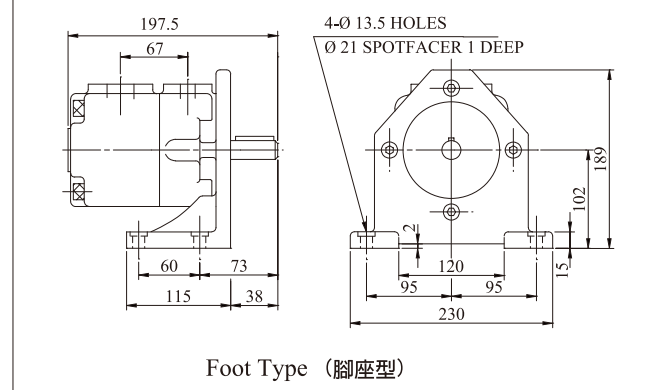
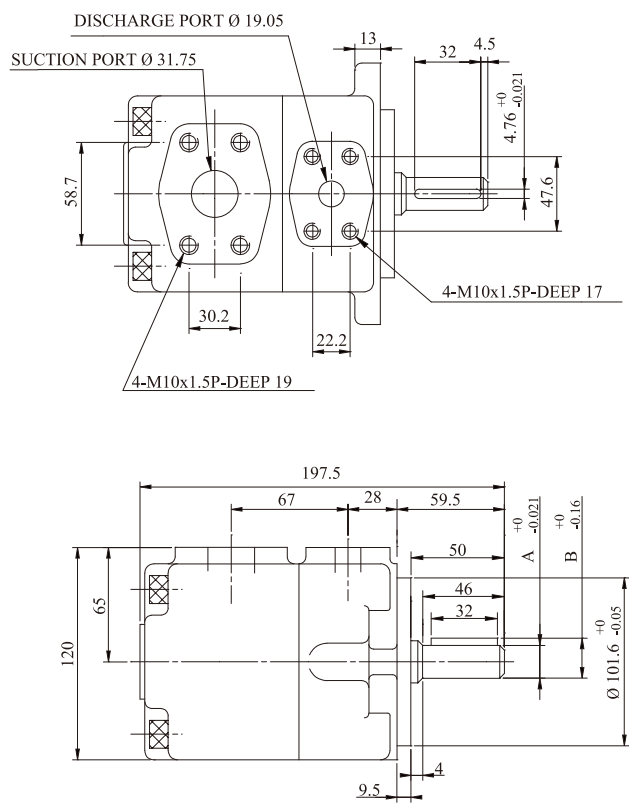


NO.03-Shaft
11-Teeth Spline
3/4" (19.05) DIA
30° pressure angle Flat root side fit

	A	B	C
NO.01-Shaft	Ø19.05	21.24	4.76
NO.03-Shaft	Spline shaft		



VQ20 Max. Pressure: 230 Kg/cm² (Peak)
Max. Speed: 1800 rpm



	A	B	C
NO.01-Shaft	Ø 22.23	24.5	4.76
NO.02-Shaft	Ø 25.4	28.18	6.35
NO.03-Shaft	Ø 22.23	24.94	6.35

