

# VITECTOR

## FRABA

### Airwave Switch

#### DW 3S-100

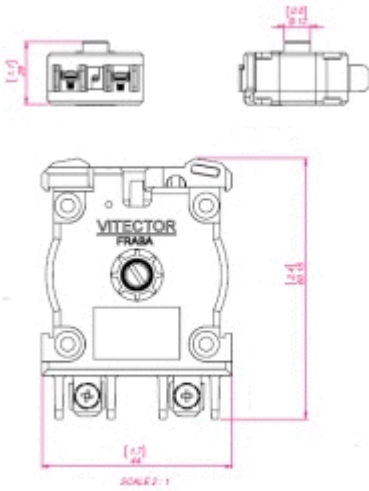


#### General Data

Contact Type	Normally Open Contact (NOC)
Housing	No Housing
Sensor Connector	Screw Type Connector
Accessories	Standard Version
Contact Material	Silver
Additional Functions	Standard Airwave Switch
Housing Dimensions WxHxD	55x45x33 mm (2.17x1.77x1.3 ")
Housing Material	PA6V0 Polyamide
Protection Class	IP00
Unit of Measure	Piece
Product Life Cycle	Established

# VITECTOR

## FRABA



### Compatible Rubber Profiles

	Product	Height	Width
	<a href="#">DW Profile 21 Z 58</a>	25 mm (0.98")	26 mm (1.02")
	<a href="#">OSE-P 25 75 00</a>	75 mm (2.95")	25 mm (0.98")

All dimension in [inch] mm. This drawing and the information contained is for general presentation purposes only. Please refer to the "Download" section for detailed technical drawings. © FRABA B.V., All rights reserved. We do not assume responsibility for technical inaccuracies or omissions. Specifications are subject to change without notice.