



G003143

Manual Call Point IP67 **Salwico MCP-A WP**

Part no 5200031-01A

System: Salwico Cargo, Salwico Cruise, Salwico Workboat,
Salwico Yacht, Salwico RoPax, CS3000, CS3004, CS4000

General Description

MCP-A is an addressable manual call point, designed for the Salwico addressable fire alarm systems. The selected material PC/ABS and the encapsulation, with ingress protection IP67, makes it very suitable for harsh environment.

Pressing the glass causing it to crack activates the fire alarm. A protective plastic coating on the glass prevents operator injury.


An LED on the front of the call point indicates the fire alarm. The LED remains lit until the fire alarm has been reset on the fire alarm panel.

The call point can also be tested with a special key, included in the delivery.

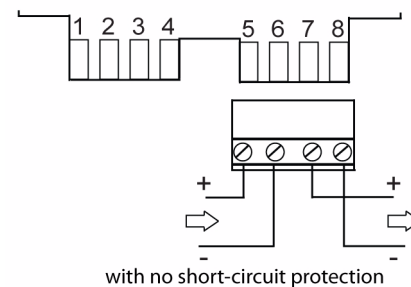
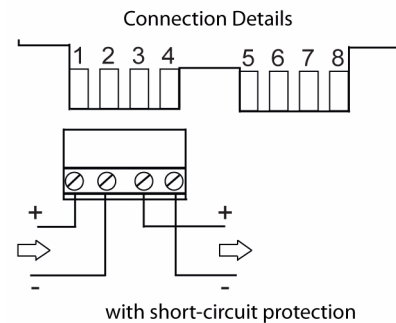
The address of the call point is set with a DIP-switch.

The MCP-A provides short-circuit protection via connections 1-4 and no short-circuit protection via connections 5-8.

Data

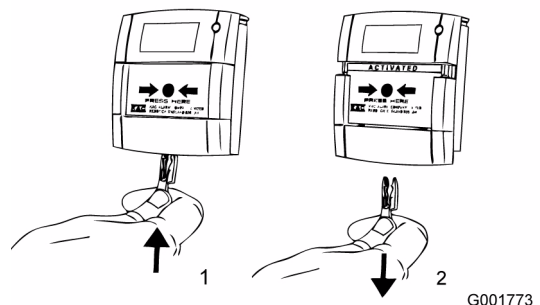
Nominal voltage	34 VDC
Working voltage	20-38 VDC
Supervising current	0.2 mA
Alarm current	2.5 mA
Ingress protection	IP67
Temperature range	-25°C to +70°C
Ambient humidity	0 to 95% RH
Material	PC/ABS
Colour	Red, RAL 3001
Weight	~240 g
Cable dimension	Ø6-14 mm
Certified according to	 0470
Spare glasses (10pcs.)	Part no. 5200075-00A

Connection



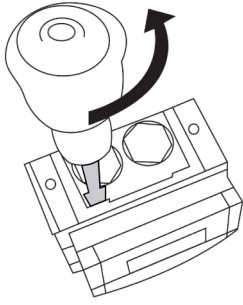
G001976

Test



G001773

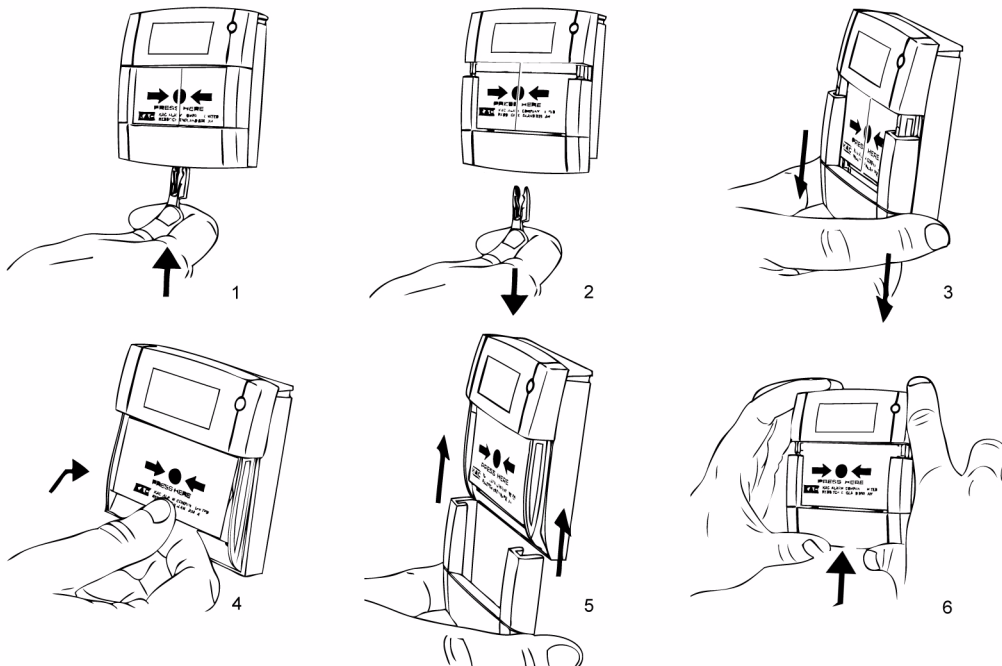
Cover removal



G003072

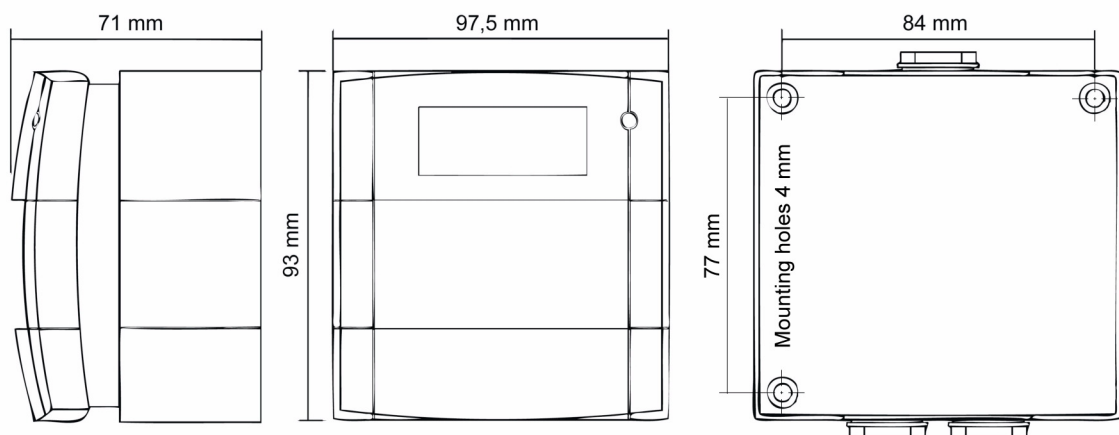
Remove the four cover fixing screws. Place the edge of a large flat bladed screwdriver into the slot between the cover and back box, as shown in picture, and gently twist until the latches are disengaged. Pull cover away from the back box.

Change Glass



G001779

Dimensions (mm)



G001782