

MAC[®]

V A L V E S



A i r V a l v e s



Introduction

Section 1	Direct solenoid and solenoid pilot operated valves
Section 2	Remote air valves
Section 3	Mechanically and manually operated valves
Section 4	Bases according to ISO 5599
Section 5	Pressure regulators
Section 6	Pressure control systems
Section 7	Options



Welcome into your brand new MAC VALVES catalogue.

Inside you will find more than 200.000 different products to meet the majority of industrial requirements.

They have been sorted and classified in such a way that you will find the requested valve very easily.

For more than 50 years, MAC has based all new valve developments upon the specifications received from users.

A lot of different modifications have been released for all fields of industry (automotive, aluminium, packaging, food, sorting, ...). They are not listed in this catalogue but our technical and sales services will be pleased to provide all necessary information.

All our representatives have a transportable demonstration kit to show you the specific design features of MAC Valves in terms of :

- reliability
- consistency and repeatability

Feel free to ask for a personal demonstration, our team is at your disposal.

MAC Valves,
Your Partner

I Test programme "100 % of production tested 100 %"

MAC [®] Qualitest						
IR Nb.: 0470		Date: 07/08/95				
TR Nb.: 0400		DR Nb.: 123				
Distributor:		Customer:		Shop order: 95-1384		
Series: 100		Codif.: 11XB-611JB		Mod.:		
Description of test:						
VALVE 1, 2, 3: 116B-611JB						
VALVE 4, 5, 6: 117B-611JB						
Valve n°:	1	2	3	4	5	6
High Pot (1750 Volt)	OK	OK	OK	OK	OK	OK
Manual operator	OK	OK	OK	OK	OK	OK
Pull in (Volt) (<80% Un)	18,0	17,9	18,3	17,4	17,1	18,0
Drop out (Volt)	5,2	5,3	5,0	5,2	4,9	5,0
Low pressure cycling (85% Un)	OK	OK	OK	OK	OK	OK
High pressure cycling (85% Un)	OK	OK	OK	OK	OK	OK
Leakage High pressure energizing	OK	OK	OK	OK	OK	OK
Leakage High pressure de-energizing	OK	OK	OK	OK	OK	OK
Leakage Low pressure energizing	OK	OK	OK	OK	OK	OK
Leakage Low pressure de-energizing	OK	OK	OK	OK	OK	OK



All produced MAC valves are submitted to a test programme checking electrical and pneumatical parameters.

- Checking of coil electrical insulation.
MAC manufacture their own coils and they are tested during production as well as at the end of the assembly. A 1750 V voltage is applied to the solenoid to check the insulation.
- Checking of the PULL-IN voltage.
The PULL-IN voltage is the minimum voltage at which the valve shifts with the solenoid energized.
As a standard, we guarantee the PULL-IN at 80 % of nominal voltage.
- Checking of the DROP-OUT voltage.
The DROP-OUT voltage is the maximum residual voltage at which the valve shifts back.
This voltage depends on the coil electrical characteristics. It is always higher than a minimum voltage specific to any coil.
- Checking of the valve operation when submitted to a minimum electrical signal.
This test checks if the valve shifts when submitted to a short electrical voltage impulse equal to 85 % of the nominal voltage.
- Checking of the valve operation when submitted to ON/OFF cycles at 85 % of nominal voltage.
- Checking of the manual operator.
This test to check if the manual override is operational.
- Checking of the leakage rate.
The acceptable leakage rate on MAC valves is maximum 50 cm³/min. (100 cm³/min.)
It is checked with the valve in all possible configurations.

II MAC Valves warranty of 18 months

The MAC Valves organization has established a reputation over many years for fulfilling the needs and requirements of the users of its products. All MAC Valves are quality products specifically designed and built for long and rugged service. Therefore, all valves appearing in this catalog are guaranteed for a period of eighteen months from the original date of shipment from our factory. In addition to this eighteen month Guarantee, MAC Valves, Inc. guarantees the electrical coils on every one of the valves listed in this catalog for life.

III The flat rate rebuild programme

Valves no longer covered by the MAC Guarantee can be rebuilt under the Flat Rate Rebuild programme. Our constant research and testing programme is dedicated to extending the life of our valves and making them even more reliable under the most adverse operating conditions. Valves returned under this programme are completely disassembled, inspected, rebuilt to current operating standards wherever possible, tested and returned within a few weeks for a nominal flat rate charge. All rebuilt valves carry for 90 days from date of shipment from our factory the same guarantee as provided for new valves.

IV Pneumatic functions

All valves inside the MAC product range allow for multiple pneumatic functions. Direct solenoid and solenoid pilot operated valves could be used as 2 ways, 3 ways (NO, NC) or 4 ways. When plugging one orifice to achieve a 2 way function (or 3 ways), it will not affect the valve operation.

- Direct solenoid valves 3 ways : universal
The following functions are available

- 3 ways NC
- 3 ways NO
- 2 ways NC
- 2 ways NO
- Selector
- Divertor

- Direct solenoid valves 4 ways :
The following functions are available

- 4 ways
- 3 ways NC
- 3 ways NO
- 2 ways NC
- 2 ways NO
- Divertor

- Pilot operated valves 3 ways :
The following functions are available

- 3 ways NC
- 3 ways NO
- 2 ways NC
- 2 ways NO
- Selector : the highest pressure is connected to the IN port; the lowest pressure is connected to the EXH port. (Use external pilot when the highest pressure is less than 2 bar)
- Divertor (consult factory)

- Pilot operated valves 4 & 5 ways :
The following functions are available

- 4 or 5 ways
- 3 ways NC
- 3 ways NO
- 2 ways NC
- 2 ways NO
- Selector (except 3 positions)
- Divertor (consult factory).

V Vacuum applications

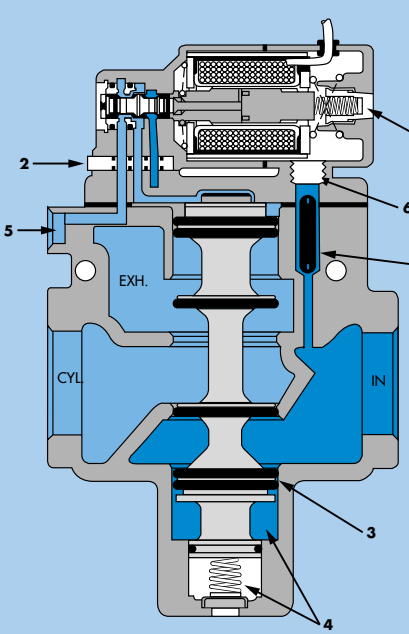
All valves inside the MAC product range may be used for vacuum applications.

Direct solenoid valves 3, 4 and 5 ways

The vacuum source may be connected to any one of the ports.
The pressure if any (selector vacuum - pressure) may be connected to one unused port.

Pilot operated valves 3, 4 & 5 ways

Connect the vacuum source to one exhaust port and pressure to the inlet port.
If the inlet pressure is lower than 2 bar (also with atmospheric pressure), use external pilot.



OPERATING DATA

INTERNAL OR EXTERNAL PILOT

a) From internal to external pilot

- remove the 1/4" or 1/8" (59 Series) plug from **EXT.PILOT** port;
- remove the check valve (top plate for 59 Series);
- insert a 1/8" plug in the **EXT. PILOT** port;
- connect the air supply (minimum 2 bar).

b) From external to internal pilot

- remove the 1/8" plug from **EXT. PILOT** port;
- insert the check valve;
- plug the **EXT. PILOT** port with 1/4" plug (1/8" for 59 Series).

SINGLE PRESSURE SUPPLY
Connect the air supply to the **IN** port.

DUAL PRESSURE SUPPLY
For 2 different pressures or for selector applications with vacuum, the highest pressure must be connected to the **IN** port while the lowest pressure (or vacuum) will be connected to the **EXH** port.

IMPORTANT NOTICE
Never plug the **PILOT EXH** port.
Do not use the **PILOT EXH** port as external pilot supply.
The pilot **EXH** port is only designed to collect the pilot exhaust.

FUNCTION PLATE
This plate is marked 3-NC (3 ways normally closed) and 3-NO (3 ways normally open).
Turning the plate upside down changes the valve function from NC to NO and vice-versa.



Direct solenoid and solenoid pilot operated valves

Function	Port size	Flow (Max) Nl/min	Individual mounting			Series
			inline	sub-base	sub-base "plug-in"	
3/2 - 2/2	M5	100	■			34
3/2 - 2/2	G1/8"	180	■			35
3/2 - 2/2	G1/8" - 1/4"	180	■			100
3/2 - 2/2	G1/8" - 1/4"	500	■			200
3/2 - 2/2	G1/8" - 1/4"	1500	■			52
3/2 - 2/2	G1/4" - 3/8"	2200	■			55
3/2 - 2/2	G3/8" - 1/2" - 3/4"	5700	■			56
3/2 - 2/2	G1/2" - 3/4" - 1"	17400	■			57
3/2 - 2/2	G1" - 1 1/4" - 1 1/2"	24900	■			58
3/2 - 2/2	G2" - 2 1/2"	60000	■			59
4/2	M5 - G1/8"	170	■	■		45
4/2	G1/8" - 1/4"	800	■			700
4/2 - 4/3	G1/8" - 1/4"	1400	■			900
4/2 - 4/3	G1/8" - 1/4" - 3/8"	1350		■	■	82
4/2 - 4/3	G1/4" - 3/8"	1600		■	■	6200
4/2 - 4/3	G1/4" - 3/8" - 1/2"	3000		■	■	6300
4/2 - 4/3	G3/8" - 1/2" - 3/4"	5100		■	■	6500
4/2 - 4/3	G3/4" - 1"	9600		■	■	6600
4/2 - 4/3	G3/4" - 1" - 1 1/4" - 1 1/2"	15900			■	1300
5/2	M5	100	■			44
5/2 - 5/3	G1/8" - 1/4"	1000	■			400
5/2 - 5/3	G1/4"	1400	■			800
5/2 - 5/3	G1/4" - 3/8"	1600		■		ISO 1
5/2 - 5/3	G3/8" - 1/2"	3000		■		ISO 2
5/2 - 5/3	G1/2" - 3/4"	6300		■		ISO 3



Direct solenoid and solenoid pilot operated valves

Function	Port size	Flow (Max) NI/min	Manifold mounting					Series
			stacking	sub-base	sub-base with pressure regulators	sub-base with pressure and flow regulators	sub-base "plug-in"	
3/2 - 2/2	M5	100						34
3/2 - 2/2	G1/8"	180						35
3/2 - 2/2	G1/8" - 1/4"	180						100
3/2 - 2/2	G1/8" - 1/4"	500						200
3/2 - 2/2	G1/8" - 1/4"	1500						52
3/2 - 2/2	G1/4" - 3/8"	2200						55
3/2 - 2/2	G3/8" - 1/2" - 3/4"	5700						56
3/2 - 2/2	G1/2" - 3/4" - 1"	17400						57
3/2 - 2/2	G1" - 1 1/4" - 1 1/2"	24900						58
3/2 - 2/2	G2" - 2 1/2"	60000						59
4/2	M5 - G1/8"	170						45
4/2	G1/8" - 1/4"	800						700
4/2 - 4/3	G1/8" - 1/4"	1400						900
4/2 - 4/3	G1/8" - 1/4" - 3/8"	1350						82
4/2 - 4/3	G1/4" - 3/8"	1600						6200
4/2 - 4/3	G1/4" - 3/8" - 1/2"	3000						6300
4/2 - 4/3	G3/8" - 1/2" - 3/4"	5100						6500
4/2 - 4/3	G3/4" - 1"	9600						6600
4/2 - 4/3	G3/4" - 1" - 1 1/4" - 1 1/2"	15900						1300
5/2	M5	100						44
5/2 - 5/3	G1/8" - 1/4"	1000						400
5/2 - 5/3	G1/4"	1400						800
5/2 - 5/3	G1/4" - 3/8"	1600						ISO 1
5/2 - 5/3	G3/8" - 1/2"	3000						ISO 2
5/2 - 5/3	G1/2" - 3/4"	6300						ISO 3

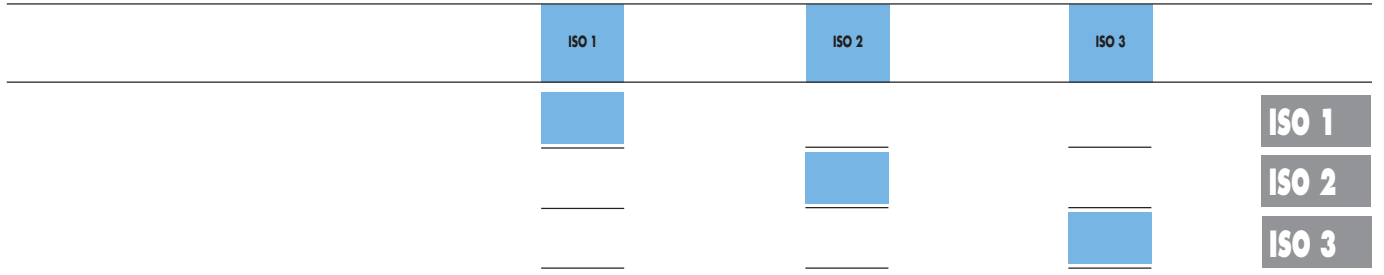


Mechanically and manually operated valves

Function	Port size	Flow (Max) Nl/min	Individual mounting	Manifold mounting	Circuit bar mounting	Series
			Inline	sub-base	cylinder ports in valve	
3/2 - 2/2	G1/8" - 1/4"	180				1100
5/2 - 5/3	G1/4"	1350				1800

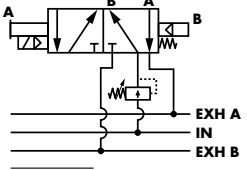
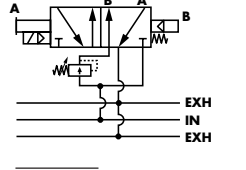
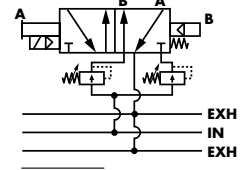


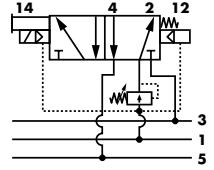
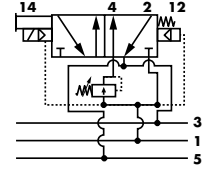
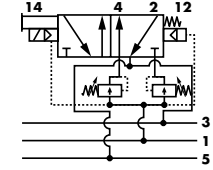
B a s e s a c c o r d i n g t o I S O 5 5 9 9



Manual adjust

Series

Single regulator Single pressure	Single regulator Dual pressure	Dual regulator Dual pressure	
 <div style="display: flex; flex-direction: column; gap: 10px;"> <div style="width: 50px; height: 20px; background-color: #4a86e8;"></div> <div style="width: 50px; height: 20px; background-color: #4a86e8;"></div> <div style="width: 50px; height: 20px; background-color: #4a86e8;"></div> <div style="width: 50px; height: 20px; background-color: #4a86e8;"></div> </div>	 <div style="display: flex; flex-direction: column; gap: 10px;"> <div style="width: 50px; height: 20px; background-color: #4a86e8;"></div> <div style="width: 50px; height: 20px; background-color: #4a86e8;"></div> <div style="width: 50px; height: 20px; background-color: #4a86e8;"></div> <div style="width: 50px; height: 20px; background-color: #4a86e8;"></div> </div>	 <div style="display: flex; flex-direction: column; gap: 10px;"> <div style="width: 50px; height: 20px; background-color: #4a86e8;"></div> <div style="width: 50px; height: 20px; background-color: #4a86e8;"></div> <div style="width: 50px; height: 20px; background-color: #4a86e8;"></div> <div style="width: 50px; height: 20px; background-color: #4a86e8;"></div> </div>	<div style="background-color: #4a86e8; color: white; padding: 5px; margin-bottom: 5px;">PR82A</div> <div style="background-color: #4a86e8; color: white; padding: 5px; margin-bottom: 5px;">PR62C</div> <div style="background-color: #4a86e8; color: white; padding: 5px; margin-bottom: 5px;">PR63C</div> <div style="background-color: #4a86e8; color: white; padding: 5px;">PR65B</div>

Single regulator Single pressure	Single regulator Dual pressure	Dual regulator Dual pressure	
 <div style="display: flex; flex-direction: column; gap: 10px;"> <div style="width: 50px; height: 20px; background-color: #4a86e8;"></div> <div style="width: 50px; height: 20px; background-color: #4a86e8;"></div> <div style="width: 50px; height: 20px; background-color: #4a86e8;"></div> </div>	 <div style="display: flex; flex-direction: column; gap: 10px;"> <div style="width: 50px; height: 20px; background-color: #4a86e8;"></div> <div style="width: 50px; height: 20px; background-color: #4a86e8;"></div> <div style="width: 50px; height: 20px; background-color: #4a86e8;"></div> </div>	 <div style="display: flex; flex-direction: column; gap: 10px;"> <div style="width: 50px; height: 20px; background-color: #4a86e8;"></div> <div style="width: 50px; height: 20px; background-color: #4a86e8;"></div> <div style="width: 50px; height: 20px; background-color: #4a86e8;"></div> </div>	<div style="background-color: #4a86e8; color: white; padding: 5px; margin-bottom: 5px;">PRA1A</div> <div style="background-color: #4a86e8; color: white; padding: 5px; margin-bottom: 5px;">PRA2C</div> <div style="background-color: #4a86e8; color: white; padding: 5px;">PRA3B</div>



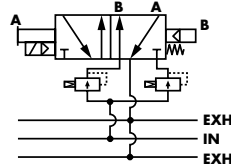
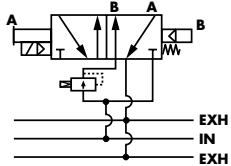
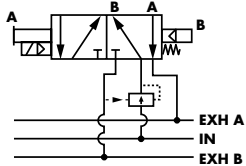
Air adjust

Series

Single regulator
Single pressure

Single regulator
Dual pressure

Dual regulator
Dual pressure



PR82A

PR62C

PR63C

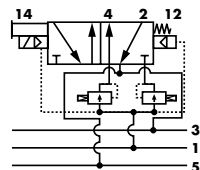
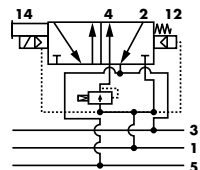
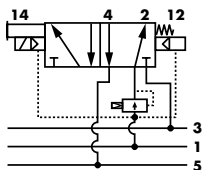
PR65B



Single regulator
Single pressure

Single regulator
Dual pressure

Dual regulator
Dual pressure



PRA1A

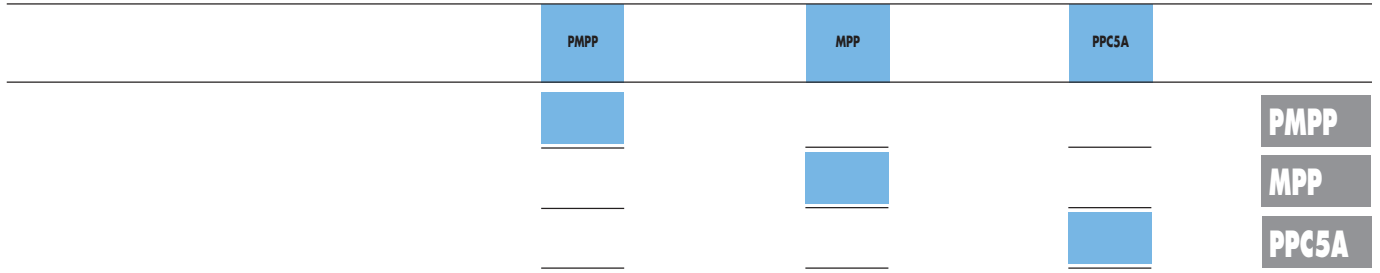
PRA2C

PRA3B





P r e s s u r e c o n t r o l s y s t e m s

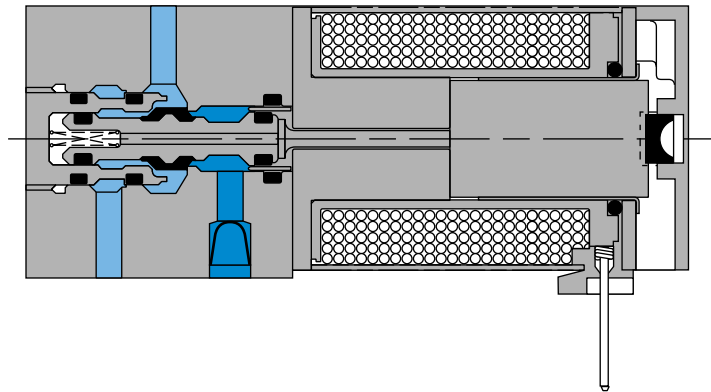


Individual mounting

inline	
--------	--

Circuit bar mounting

cylinder ports in base		cylinder ports in valve
---------------------------	--	----------------------------



Function	Port size	Flow [Max]	Individual mounting
3/2 NO-NC, 2/2 NO-NC	M5	100 NI/min	inline

OPERATIONAL BENEFITS

1. 10 mm valve, direct solenoid operated.
2. Balanced poppet, immune to variations of pressure.
3. Short stroke with high flow.
4. The patented solenoid develops high shifting forces.
5. Powerful return spring.
6. Flow is specifically adjusted on each valve.
7. Manual operator standard on all valves.



HOW TO ORDER

Reset

34A-xxx-Gxxx-xxx

Port size M5	Universal valve	NC only valve
Pressure range : 0 to 8,5 bar	<input type="radio"/> 34A-ABA-Gxxx-xxx	<input type="radio"/> 34A-ABB-Gxxx-xxx
Pressure range : vacuum	<input type="radio"/> 34A-BBA-Gxxx-xxx	<input type="radio"/> 34A-BBB-Gxxx-xxx

SOLENOID OPERATOR >

G **XX X- X XX**

XX Voltage	X Wire length	X Manual operator	XX Electrical connection
<input type="radio"/> DC 24V=/1,8W	<input type="radio"/> A 45 cm	<input type="radio"/> 1 Non-locking	<input type="radio"/> KA Mini connector
<input type="radio"/> DD 24V=/2,5W	<input type="radio"/> C 92 cm		<input type="radio"/> KT Mini connector with light
<input type="radio"/> DF 24V=/4W	<input type="radio"/> x Other Options		<input type="radio"/> BA Flying leads
<input type="radio"/> xx Other Options			<input type="radio"/> BT Flying leads with light
			<input type="radio"/> xx Other Options

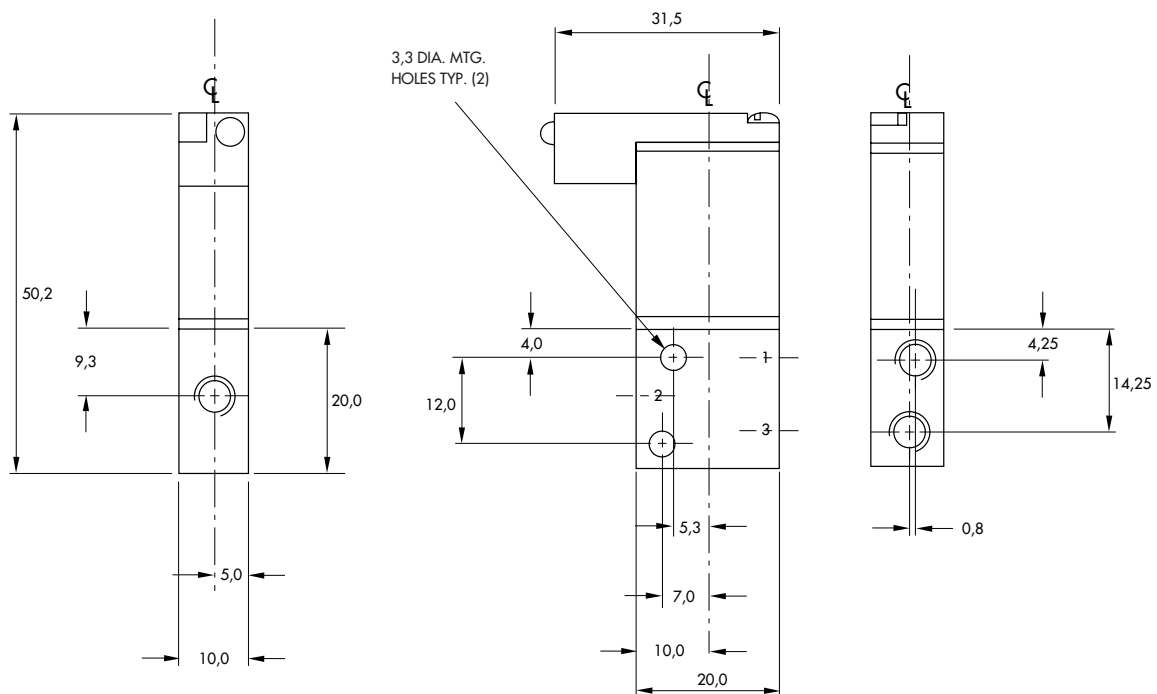
TECHNICAL
DATA

Fluid :	Compressed air, vacuum, inert gases
Pressure range :	Vacuum to 8.5 bar
Lubrication :	Not required, if used select a medium aniline point lubricant (between 80°C and 100°C)
Filtration :	40 µ
Temperature range :	-18°C to +50°C
Orifice :	1.8 mm
Flow (at 6 bar, ΔP=1 bar) :	4 W : 100 NI/min (C _v 0.1) - 2.5 W : 80 NI/min (C _v 0.08) - 1.8 W : 60 NI/min (C _v 0.06)
Leak rate :	50 cm ³ /min
Coil :	Epoxy encapsulated - 100% ED
Voltage range :	-15% to +10% of nominal voltage
Protection :	IP 54
Power :	4 W - 2.5 W - 1.8 W
Response times :	Energize : 3.4 ms
(with 4 W coil)	De-energize : 1.5 ms

Note :

- Valve and coil are not interchangeable.

DIMENSIONS



Function	Port size	Flow [Max]	Circuit bar mounting
3/2 NO-NC, 2/2 NO-NC	M5	80 NI/min	cylinder ports in base

OPERATIONAL BENEFITS

1. 10 mm valve, direct solenoid operated.
2. Balanced poppet, immune to variations of pressure.
3. Short stroke with high flow.
4. The patented solenoid develops high shifting forces.
5. Powerful return spring.
6. Flow is specifically adjusted on each valve.
7. Manual operator standard on all valves.


HOW TO ORDER

34A-xxx-Gxxx-xxx
HOW TO ORDER VALVE FOR CIRCUIT BAR MOUNTING

Port size (see base)	Universal valve	NC only valve
Pressure range : 0 to 8,5 bar	<input type="radio"/> 34A-L00-Gxxx-xxx	<input type="radio"/> 34A-N00-Gxxx-xxx
Pressure range : vacuum	<input type="radio"/> 34A-M00-Gxxx-xxx	----

SOLENOID OPERATOR >
G XX X- X XX'

XX Voltage	X Wire length	X Manual operator	XX Electrical connection
<input type="radio"/> DC 24V=/1,8W	<input type="radio"/> A 45 cm	<input type="radio"/> 1 Non-locking	<input type="radio"/> KA Mini connector
<input type="radio"/> DD 24V=/2,5W	<input type="radio"/> c 92 cm		<input type="radio"/> KT Mini connector with light
<input type="radio"/> DF 24V=/4W	<input type="radio"/> x Other Options		<input type="radio"/> BA Flying leads
<input type="radio"/> xx Other Options			<input type="radio"/> BT Flying leads with light
			<input type="radio"/> xx Other Options

HOW TO ORDER CIRCUIT BAR**
EBP34A-xxxx-xx

Port size	Side cylinder ports	Bottom cylinder ports
M5	<input type="radio"/> EBP34A-001D-xx	<input type="radio"/> EBP34A-002D-xx

** Other options available. Consult factory.

Number of stations (03=3 stations)

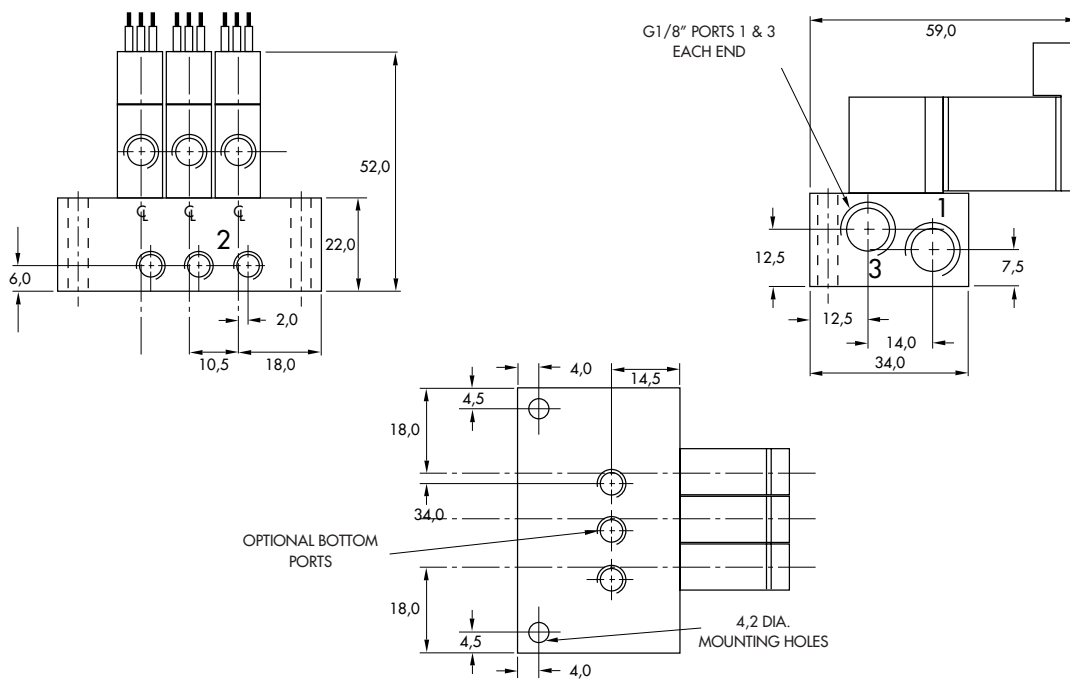
 Note click for valves mounted on base at the factory (add - 9 to the model number).

**TECHNICAL
D A T A**

Fluid :	Compressed air, vacuum, inert gases
Pressure range :	Vacuum to 8.5 bar
Lubrication :	Not required, if used select a medium aniline point lubricant (between 80°C and 100°C)
Filtration :	40 µ
Temperature range :	-18°C to +50°C
Orifice :	1.8 mm
Flow (at 6 bar, ΔP=1 bar) :	4 W : 80 NI/min (C _v 0.08) - 2,5 W : 60 NI/min (C _v 0.06) - 1,8 W : 40 NI/min (C _v 0.04)
Leak rate :	50 cm ³ /min
Coil :	Epoxy encapsulated - 100% ED
Voltage range :	-15% to +10% of nominal voltage
Protection :	IP 54
Power :	4 W - 2.5 W - 1.8 W
Response times :	Energize : 3.4 ms
(with 4 W coil)	De-energize : 1.5 ms

- Note : • Valve and coil are not interchangeable.
- Spare parts : • Seal between valve and bar (x3) : 17948-01. • Mounting screw (x2) : 35031. • Blanking plate : M-34003.
- Options : • Isolation of inlet and/or exhaust.

D I M E N S I O N S



Function	Port size	Flow [Max]	Circuit bar mounting
3/2 NO-NC, 2/2 NO-NC	M5	80 NI/min	cylinder ports in valve

OPERATIONAL BENEFITS

1. 10 mm valve, direct solenoid operated.
2. Balanced poppet, immune to variations of pressure.
3. Short stroke with high flow.
4. The patented solenoid develops high shifting forces.
5. Powerful return spring.
6. Flow is specifically adjusted on each valve.
7. Manual operator standard on all valves.



HOW TO ORDER

Reset

34A-xxx-Gxxx-xxx

HOW TO ORDER VALVE FOR CIRCUIT BAR MOUNTING

Port size M5	Universal valve	NC only valve
Pressure range : 0 to 8,5 bar	<input type="radio"/> 34A-ABA-Gxxx-xxx	<input type="radio"/> 34A-ABB-Gxxx-xxx
Pressure range : vacuum	<input type="radio"/> 34A-BBA-Gxxx-xxx	<input type="radio"/> 34A-BBB-Gxxx-xxx

SOLENOID OPERATOR >

G **XX X- X XX**

XX Voltage	X Wire length	X Manual operator	XX Electrical connection
<input type="radio"/> DC 24V=/1,8W	<input type="radio"/> A 45 cm	<input type="radio"/> 1 Non-locking	<input type="radio"/> KA Mini connector
<input type="radio"/> DD 24V=/2,5W	<input type="radio"/> c 92 cm		<input type="radio"/> KT Mini connector with light
<input type="radio"/> DF 24V=/4W	<input type="radio"/> x Other Options		<input type="radio"/> BA Flying leads
<input type="radio"/> xx Other Options			<input type="radio"/> BT Flying leads with light
			<input type="radio"/> xx Other Options

HOW TO ORDER CIRCUIT BAR**

EBM34A-xxxx-xx

Port size	
M5	<input type="radio"/> EBM34A-001D-xx

** Other options available. Consult factory.

Number of stations (03=3 stations)

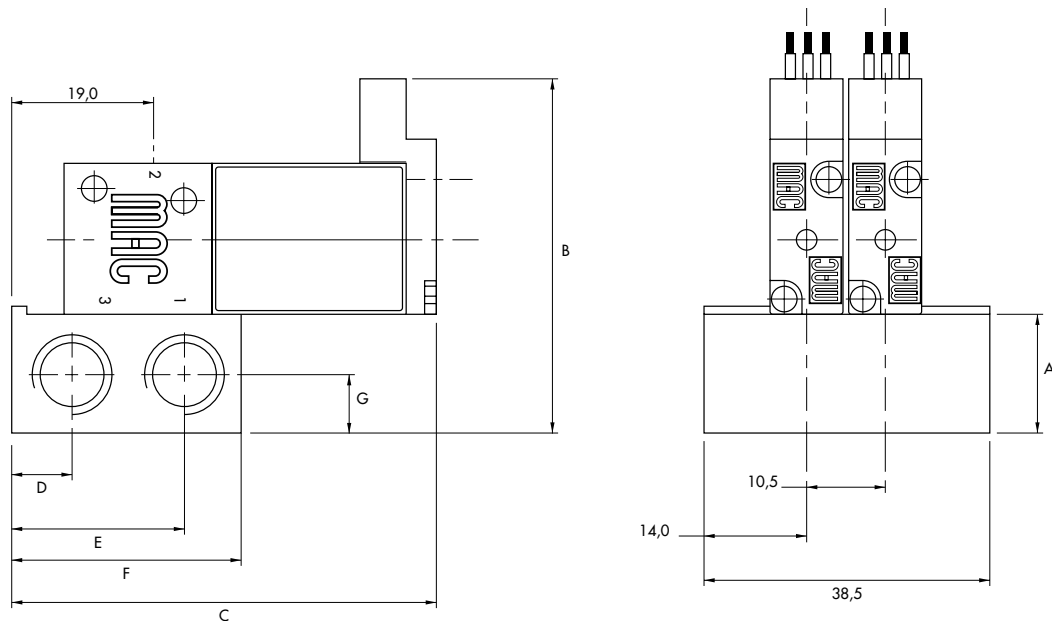
Note click for valves mounted on base at the factory (add - 9 to the model number).

**TECHNICAL
DATA**

Fluid :	Compressed air, vacuum, inert gases
Pressure range :	Vacuum to 8.5 bar
Lubrication :	Not required, if used select a medium aniline point lubricant (between 80°C and 100°C)
Filtration :	40 µ
Temperature range :	-18°C to +50°C
Orifice :	1.8 mm
Flow (at 6 bar, ΔP=1 bar) :	4 W : 80 NI/min (C _v 0.08) - 2.5 W : 60 NI/min (C _v 0.06) - 1.8 W : 40 NI/min (C _v 0.04)
Leak rate :	50 cm ³ /min
Coil :	Epoxy encapsulated - 100% ED
Voltage range :	-15% to +10% of nominal voltage
Protection :	IP 54
Power :	4 W - 2.5 W - 1.8 W
Response times :	Energize : 3.4 ms
(with 4 W coil)	De-energize : 1.5 ms

- Note : • Valve and coil are not interchangeable.
- Spare parts : • Seal between valve and bar (x3) : 17008-01. • Mounting screw (x2) : 35031. • Blanking plate : 30456-A.
- Options : • Isolation of inlet and/or exhaust.

DIMENSIONS



Port size	A	B	C	D	E	F	G
G1/8"	16,0	47,5	57,4	8,0	23,0	31,0	8,0
M5	12,0	43,5	51,5	9,0	18,0	26,0	6,0



0 p t i o n s

Codification table for voltages / Manual operator / Electrical connection

VALVE CODE >

-G XX X - 1 XX
1 2 3 4

OPTIONS AVAILABLE FOR

- solenoid valves 34 & 44 Series

1. VOLTAGE (type 34 Series)

-G XX X - I XX	VOLTAGE
DC	24 V=/1,8 W
DD	24 V=/2,5 W
DE	24 V=/3,0 W
DF	24 V=/4,0 W
DJ	12 V=/1,8 W
DK	12 V=/2,5 W
DM	12 V=/3,0 W
DN	12 V=/4,0 W
ED	120 V~/50 Hz (2,5 W)

1. VOLTAGE (type 44 Series)

-G XX X - I XX	VOLTAGE
DA	24 V=/1,0 W
DC	24 V=/1,8 W
DD	24 V=/2,5 W
DF	24 V=/4,0 W
DG	12 V=/1,0 W
DJ	12 V=/1,8 W
DK	12 V=/2,5 W
DN	12 V=/4,0 W
ED	120 V~/50 Hz (2,5 W)

2. WIRE LENGTH (Common options for 34 & 44 Series)

-G XX X - I XX	WIRE LENGTH
A	45 cm - 18"
B	60 cm - 24"
C	90 cm - 36"
D	120 cm - 48"
E	180 cm - 72"
F	240 cm - 96"
G	305 cm - 120"
H	366 cm - 144"

3. MANUAL OPERATOR

-G XX X - 1 XX	MANUAL OPERATOR
1	Non-locking recessed

4. ELECTRICAL CONNECTION

-G XX X - 1 XX	NO CONNECTOR
BA	Flying leads
BB	BA with ground wire
BC	BA with light
BD	BA with light and ground wire
BE	BA with suppression diode
BF	BA with suppression diode and ground wire
BG	BA with suppression diode and light
BH	BA with suppression diode, light and ground wire
BN	BA with suppression diode and blocking diode
BP	BA with suppression diode, blocking diode and ground wire
BR	BA with suppression diode, blocking diode and light
BS	BA with suppression diode, blocking diode, light and ground wire
BT	BA with light
BU	BA with light and ground wire
BV	BA with suppression diode and light
BW	BA with suppression diode, light and ground wire
BX	BA with suppression diode, blocking diode and light
BY	BA with suppression diode, blocking diode, light and ground wire

-G XX X - 1 XX	PLUG-IN CONNECTOR
KA	Mini connector with flying leads
KB	KA with ground wire
KE	KA with suppression diode
KF	KA with suppression diode and ground wire
KJ	Mini connector for KA option
KM	Mini connector for KB option
KN	KA with suppression diode and blocking diode
KP	KA with suppression diode, blocking diode and ground wire
KT	KA with light
KU	KA with light and ground wire
KV	KA with suppression diode and light
KW	KA with suppression diode, light and ground wire
KX	KA with suppression diode, blocking diode and light
KY	KA with suppression diode, blocking diode, light and ground wire

Individual mounting

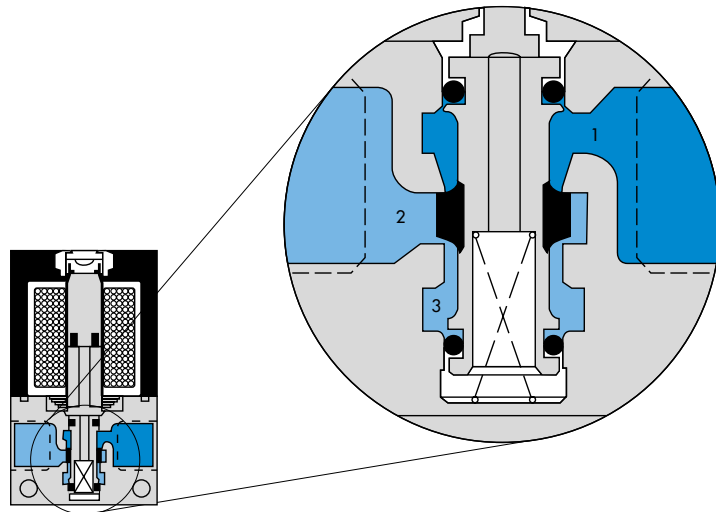
inline	
--------	--

Manifold mounting

stacking	sub-base	sub-base with pressure regulators	
----------	----------	-----------------------------------	--

Circuit bar mounting

cylinder ports in base	with pressure regulators	"plug-in"	"plug-in" with pressure regulators
------------------------	--------------------------	-----------	------------------------------------



Function	Port size	Flow [Max]	Individual mounting
3/2 NO-NC, 2/2 NO-NC	G1/8"	150 NI/min	inline

OPERATIONAL BENEFITS

1. Balanced poppet, immune to variations of pressure.
2. Short stroke with high flow.
3. The patented solenoid develops high shifting forces.
4. Powerful return spring.
5. Manual operator standard on all valves.
6. Burn-out proof solenoid on AC service.



HOW TO ORDER

Reset

35A-xxx-Dxxx-xxx

Port size	Universal valve	NC only valve
G1/8"	 <input type="radio"/> 35A-ACA-Dxxx-xxx	 <input type="radio"/> 35A-ACB-Dxxx-xxx

SOLENOID OPERATOR >

D **XX X- X XX***

XX	Voltage	X	Wire length	X	Manual operator	XX	Electrical connection
<input type="radio"/> AB	220V~/50Hz	<input type="radio"/> A	45 cm (Flying leads)	<input type="radio"/> 1	Non-locking	<input type="radio"/> KA	Square connector
<input type="radio"/> AA	110V~/50Hz	<input type="radio"/> J	Connector	<input type="radio"/> 2	Locking	<input type="radio"/> KD	Square connector with light
<input type="radio"/> AC	24V~/50Hz	<input type="radio"/> x	Other Options	<input type="radio"/> x	Other Options	<input type="radio"/> JB	Rectangular connector
<input type="radio"/> FB	24V=/1,8W					<input type="radio"/> JD	Rectangular connector with light
<input type="radio"/> DA	24V=/5,4W					<input type="radio"/> BA	Flying leads
<input type="radio"/> DF	24V=/12,7W					<input type="radio"/> xx	Other Options
<input type="radio"/> xx	Other Options						

TECHNICAL
DATA

Fluid :	Compressed air, vacuum, inert gases		
Pressure range :	Vacuum to 8.5 bar		
Lubrication :	Not required, if used select a medium aniline point lubricant (between 80°C and 100°C)		
Filtration :	40 µ		
Temperature range :	-18°C to +50°C		
Orifice :	2 mm		
Flow (at 6 bar, ΔP=1 bar) :	1.8 W : 80 NI/min (C _v 0.08) - 5.4 to 12.7 W : 150 NI/min (C _v 0.15)		
Leak rate :	50 cm ³ /min		
Coil :	Epoxy encapsulated - class A wires - 100% ED (specify mod 0449)		
Voltage range :	-15% to +10% of nominal voltage		
Protection :	IP 65		
Power :	~ Inrush : 10.9 VA Holding : 7.7 VA = 1.8 to 12.7 W		
Response times :	24 V=/5.4 W	Energize : 6 ms	De-energize : 2 ms
	50Hz/6 W	Energize : 3-8 ms	De-energize : 2-7 ms

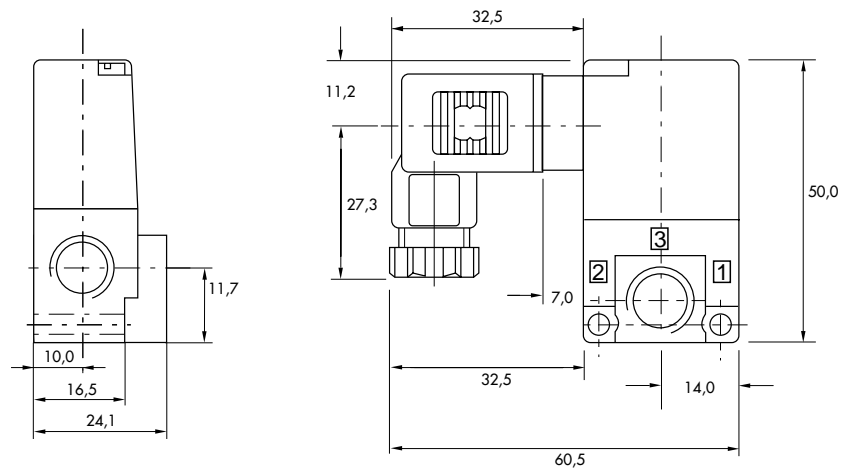
Spare parts :

- Solenoid operator (power ≥ 5.4 W) : 35A-000-DXXX-XXX, including mounting screws 35013.
- Seal (between solenoid and valve body) : 16402.

Options :

- NPTF threads. • High flow up to 250 NI/min, according to wattage.

DIMENSIONS



Function	Port size	Flow [Max]	Manifold mounting
3/2 NO-NC, 2/2 NO-NC	M5 - G1/8"	160 NI/min	stacking

OPERATIONAL BENEFITS

1. Balanced poppet, immune to variations of pressure.
2. Short stroke with high flow.
3. The patented solenoid develops high shifting forces.
4. Powerful return spring.
5. Manual operator standard on all valves.
6. Burn-out proof solenoid on AC service.



HOW TO ORDER

Reset

35A-xxx-Dxxx-xxx

Port size	NC only valve	NO only valve
G1/8"	<input type="radio"/> 35A-SCC-Dxxx-xxx	<input type="radio"/> 35A-SCD-Dxxx-xxx

SOLENOID OPERATOR >

D **XX X- X XX**

XX	Voltage	X	Wire length	X	Manual operator	XX	Electrical connection
<input type="radio"/> AB	220V~/50Hz	<input type="radio"/> A	45 cm (Flying leads)	<input type="radio"/> 1	Non-locking	<input type="radio"/> KA	Square connector
<input type="radio"/> AA	110V~/50Hz	<input type="radio"/> J	Connector	<input type="radio"/> 2	Locking	<input type="radio"/> KD	Square connector with light
<input type="radio"/> AC	24V~/50Hz	<input type="radio"/> x	Other Options	<input type="radio"/> x	Other Options	<input type="radio"/> BA	Flying leads
<input type="radio"/> FB	24V=/1,8W					<input type="radio"/> xx	Other Options
<input type="radio"/> DA	24V=/5,4W						
<input type="radio"/> DF	24V=/12,7W						
<input type="radio"/> xx	Other Options						

End plate kit (Port size G1/4") : M-35001-01P

Note : upon request, manifolds are mounted at the factory.

TECHNICAL DATA

Fluid :	Compressed air, vacuum, inert gases		
Pressure range :	Vacuum to 8.5 bar		
Lubrication :	Not required, if used select a medium aniline point lubricant (between 80°C and 100°C)		
Filtration :	40 µ		
Temperature range :	-18°C to +50°C		
Orifice :	2 mm		
Flow (at 6 bar, ΔP=1 bar) :	1.8 W : 120 NI/min (C _v 0.12) - 5.4 to 12.7 W : 160 NI/min (C _v 0.16)		
Leak rate :	50 cm ³ /min		
Coil :	Epoxy encapsulated - class A wires - 100% ED (specify mod 0449)		
Voltage range :	-15% to +10% of nominal voltage		
Protection :	IP 65		
Power :	~ Inrush : 10.9 VA Holding : 7.7 VA = 1.8 to 12.7 W		
Response times :	24 V=5.4 W	Energize : 6 ms	De-energize : 2 ms
	50Hz/6 W	Energize : 3-8 ms	De-energize : 2-7 ms

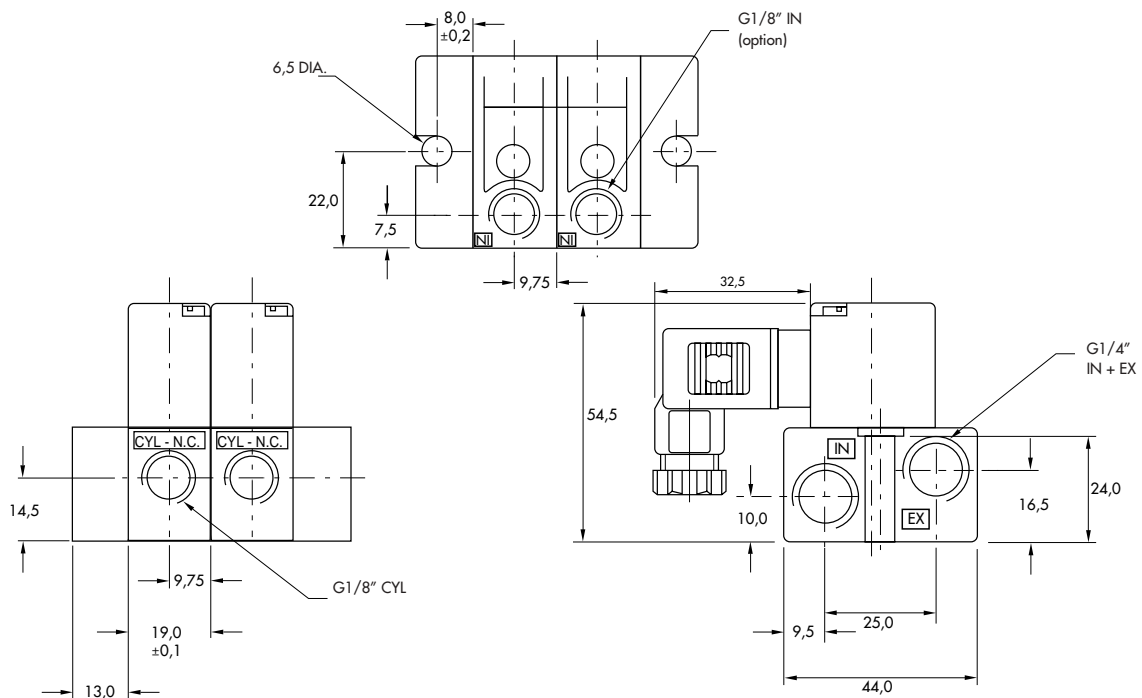
Spare parts :

- Solenoid operator (power ≥ 5.4 W) : 35A-000-DXXX-XXX, including mounting screws 35013.
- Seal (between solenoid and valve body) : 16402. • Pressure seal (between valves) : 16433.
- Tie-rod (x2) : 19813.

Options :

- NPTF threads. • High flow up to 250 NI/min, according to wattage. • Isolation of inlet and/or exhaust.

DIMENSIONS



Function	Port size	Flow [Max]	Manifold mounting
3/2 NO-NC, 2/2 NO-NC	G 1/8"	100 NI/min	sub-base

OPERATIONAL BENEFITS

1. Balanced poppet, immune to variations of pressure.
2. Short stroke with high flow.
3. The patented solenoid develops high shifting forces.
4. Powerful return spring.
5. Manual operator standard on all valves.
6. Burn-out proof solenoid on AC service.


HOW TO ORDER

Reset

35A-xxx-Dxxx-xxx
SIDE CYLINDER PORTS

Port size	NC only valve	NO only valve
Valve less base	<input type="radio"/> 35A-B00-Dxxx-xxx	<input type="radio"/> 35A-B00-Dxxx-xxx
M5 base	<input type="radio"/> 35A-BDE-Dxxx-xxx	<input type="radio"/> 35A-BDF-Dxxx-xxx
G 1/8" base	<input type="radio"/> 35A-BCE-Dxxx-xxx	<input type="radio"/> 35A-BCF-Dxxx-xxx

BOTTOM CYLINDER PORTS

Port size	NC only valve	NO only valve
Valve less base	<input type="radio"/> 35A-B00-Dxxx-xxx	<input type="radio"/> 35A-B00-Dxxx-xxx
M5 base	<input type="radio"/> 35A-BJE-Dxxx-xxx	<input type="radio"/> 35A-BJF-Dxxx-xxx
G 1/8" base	<input type="radio"/> 35A-BHE-Dxxx-xxx	<input type="radio"/> 35A-BHF-Dxxx-xxx

SOLENOID OPERATOR >

 D **XX X- X XX***

XX	Voltage	X	Wire length	X	Manual operator	XX	Electrical connection
<input type="radio"/> AB	220V~/50Hz	<input type="radio"/> A	45 cm (Flying leads)	<input type="radio"/> 1	Non-locking	<input type="radio"/> KA	Square connector
<input type="radio"/> AA	110V~/50Hz	<input type="radio"/> J	Connector	<input type="radio"/> 2	Locking	<input type="radio"/> KD	Square connector with light
<input type="radio"/> AC	24V~/50Hz	<input type="radio"/> x	Other Options	<input type="radio"/> x	Other Options	<input type="radio"/> BA	Flying leads
<input type="radio"/> FB	24V=/1,8W					<input type="radio"/> xx	Other Options
<input type="radio"/> DA	24V=/5,4W						
<input type="radio"/> DF	24V=/12,7W						
<input type="radio"/> xx	Other Options						

End plate kit (Port size : G1/4") : M-35003-01P

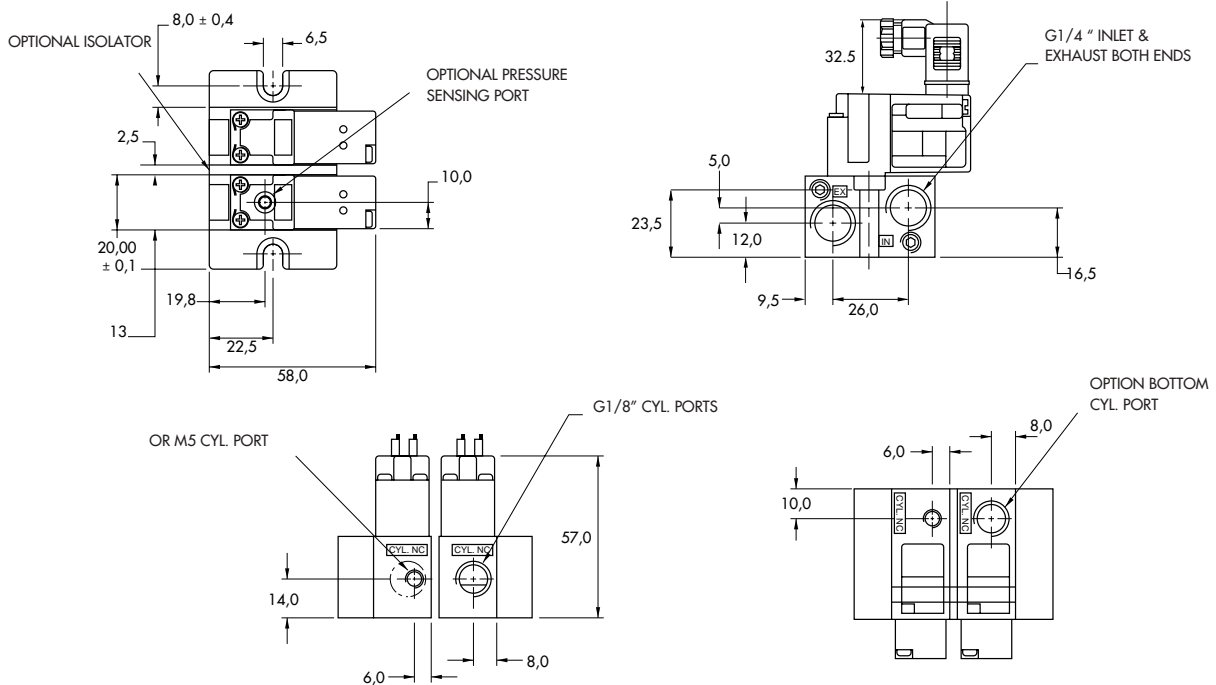
Note : upon request, manifolds are mounted at the factory.

**TECHNICAL
DATA**

Fluid :	Compressed air, vacuum, inert gases
Pressure range :	Vacuum to 8.5 bar
Lubrication :	Not required, if used select a medium aniline point lubricant (between 80°C and 100°C)
Filtration :	40 µ
Temperature range :	-18°C to +50°C
Orifice :	2 mm
Flow (at 6 bar, ΔP=1 bar) :	1.8 W : 90 NI/min (C _v 0.09) - 5.4 to 12.7 W : 100 NI/min (C _v 0.1)
Leak rate :	50 cm ³ /min
Coil :	Epoxy encapsulated - class A wires - 100% ED (specify mod 0449)
Voltage range :	-15% to +10% of nominal voltage
Protection :	IP 65
Power :	~ Inrush : 10.9 VA Holding : 7.7 VA = 1.8 to 12.7 W
Response times :	24 V=5.4 W Energize : 6 ms De-energize : 2 ms 50Hz/6 W Energize : 3-8 ms De-energize : 2-7 ms

- Spare parts :
- Solenoid operator (power ≥ 5.4 W) : 35A-000-DXXX-XXX, including mounting screws 35013.
 - Seal (between solenoid and valve body) : 16402. • Pressure seal (between valve and base) : 16447.
 - Pressure seal (between bases) : 16461. • Tie-rod (x2) : 19753.
- Options :
- NPTF threads. • High flow up to 180 NI/min, according to wattage. • Isolation of inlet and/or exhaust.

DIMENSIONS



Function	Port size	Flow [Max]	Manifold mounting
3/2 NO-NC, 2/2 NO-NC	M5 - G1/8"	100 NI/min	sub-base with pressure regulators

OPERATIONAL BENEFITS

- Balanced poppet, immune to variations of pressure.
- Short stroke with high flow.
- The patented solenoid develops high shifting forces.
- Powerful return spring.
- Manual operator standard on all valves.
- Burn-out proof solenoid on AC service.


HOW TO ORDER

Reset

35A-xxx-Dxxx-xxx
SIDE CYLINDER PORTS

Port size	NC only valve	NO only valve
Valve less base	<input type="radio"/> 35A-B00-Dxxx-xxx	<input type="radio"/> 35A-B00-Dxxx-xxx
M5 base	<input type="radio"/> 35A-BDJ-Dxxx-xxx	<input type="radio"/> 35A-BDK-Dxxx-xxx
G 1/8" base	<input type="radio"/> 35A-BCJ-Dxxx-xxx	<input type="radio"/> 35A-BCK-Dxxx-xxx

BOTTOM CYLINDER PORTS

Port size	NC only valve	NO only valve
Valve less base	<input type="radio"/> 35A-B00-Dxxx-xxx	<input type="radio"/> 35A-B00-Dxxx-xxx
M5 base	<input type="radio"/> 35A-BJJ-Dxxx-xxx	<input type="radio"/> 35A-BJK-Dxxx-xxx
G 1/8" base	<input type="radio"/> 35A-BHJ-Dxxx-xxx	<input type="radio"/> 35A-BHK-Dxxx-xxx

SOLENOID OPERATOR >
D XX X- X XX'

XX	Voltage	X	Wire length	X	Manual operator	XX	Electrical connection
<input type="radio"/> AB	220V~/50Hz	<input type="radio"/> A	45 cm (Flying leads)	<input type="radio"/> 1	Non-locking	<input type="radio"/> KA	Square connector
<input type="radio"/> AA	110V~/50Hz	<input type="radio"/> J	Connector	<input type="radio"/> 2	Locking	<input type="radio"/> KD	Square connector with light
<input type="radio"/> AC	24V~/50Hz	<input type="radio"/> x	Other Options	<input type="radio"/> x	Other Options	<input type="radio"/> BA	Flying leads
<input type="radio"/> FB	24V=/1,8W					<input type="radio"/> xx	Other Options
<input type="radio"/> DA	24V=/5,4W						
<input type="radio"/> DF	24V=/12,7W						
<input type="radio"/> xx	Other Options						

End plate kit (Port size : G1/4") : M-35003-01P

Note : upon request, manifolds are mounted at the factory.

**TECHNICAL
DATA**

Fluid :	Compressed air, vacuum, inert gases
Pressure range :	Vacuum to 8.5 bar
Lubrication :	Not required, if used select a medium aniline point lubricant (between 80°C and 100°C)
Filtration :	40 µ
Temperature range :	-18°C to +50°C
Orifice :	2 mm
Flow (at 6 bar, ΔP=1 bar) :	1.8 W : 90 NI/min (C _v 0.09) - 5.4 to 12.7 W : 100 NI/min (C _v 0.1)
Leak rate :	50 cm ³ /min
Coil :	Epoxy encapsulated - class A wires - 100% ED (specify mod 0449)
Voltage range :	-15% to +10% of nominal voltage
Protection :	IP 65
Power :	~ Inrush : 10.9 VA Holding : 7.7 VA = 1.8 to 12.7 W
Response times :	24 V=5.4 W Energize : 6 ms De-energize : 2 ms 50Hz/6 W Energize : 3-8 ms De-energize : 2-7 ms

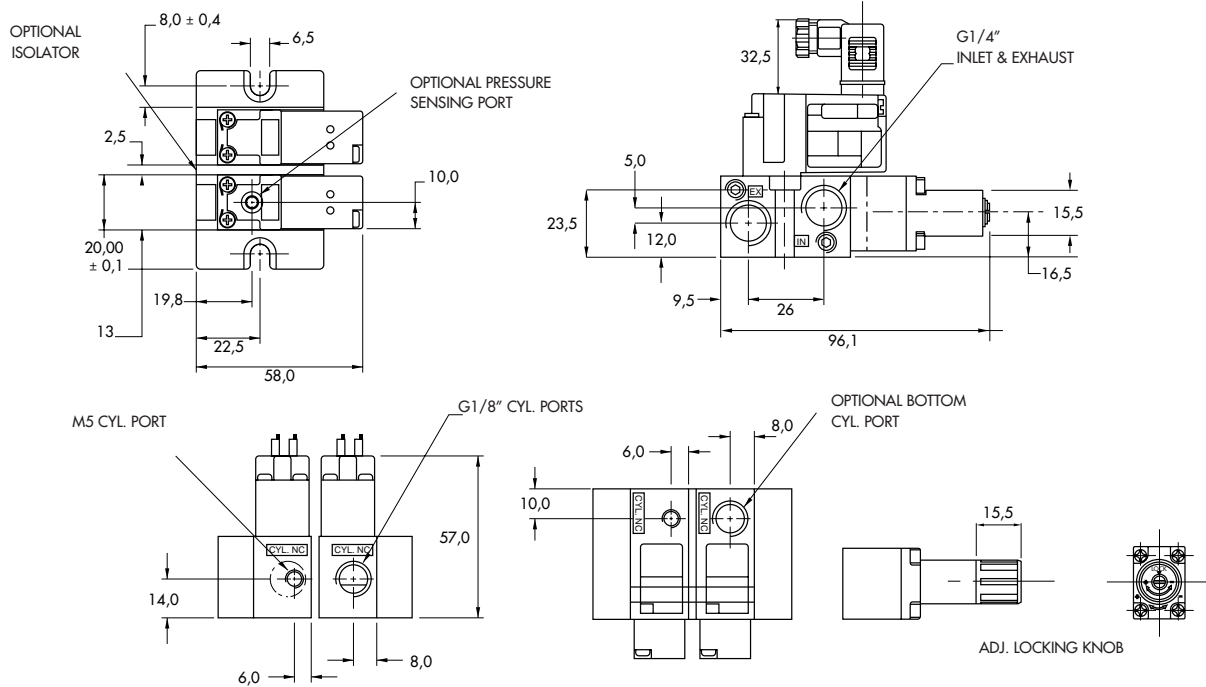
Spare parts :

- Solenoid operator (power ≥ 5.4 W) : 35A-000-DXXX-XXX, including mounting screws 35013.
- Seal (between solenoid and valve body) : 16402. • Pressure seal (between valve and base) : 16447.
- Pressure seal (between bases) : 16461. • Tie-rod (x2) : 19753. • Pressure regulator : 35A-00M.

Options :

- NPTF threads. • High flow up to 180 NI/min, according to wattage.
- Isolation of inlet and/or exhaust.

DIMENSIONS



Function	Port size	Flow [Max]	Circuit bar mounting
3/2 NO-NC, 2/2 NO-NC	M5 - G1/8"	90 NI/min	cylinder ports in base

OPERATIONAL BENEFITS

1. Balanced poppet, immune to variations of pressure.
2. Short stroke with high flow.
3. The patented solenoid develops high shifting forces.
4. Powerful return spring.
5. Manual operator standard on all valves.
6. Burn-out proof solenoid on AC service.



HOW TO ORDER

Reset

35A-xxx-Dxxx-xxx

HOW TO ORDER VALVE FOR CIRCUIT BAR MOUNTING

	Universal valve
Valve less base	<input type="radio"/> 35A-B00-Dxxx-xxx

SOLENOID OPERATOR ►

D **XX X- X XX**'

XX Voltage	X Wire length	X Manual operator	XX Electrical connection
<input type="radio"/> AB 220V~/50Hz	<input type="radio"/> A 45 cm(Flying leads)	<input type="radio"/> 1 Non-locking	<input type="radio"/> KA Square connector
<input type="radio"/> AA 110V~/50Hz	<input type="radio"/> J Connector	<input type="radio"/> 2 Locking	<input type="radio"/> KD Square connector with light
<input type="radio"/> AC 24V~/50Hz	<input type="radio"/> x Other Options	<input type="radio"/> x Other Options	<input type="radio"/> BA Flying leads
<input type="radio"/> FB 24V=/1,8W			<input type="radio"/> xx Other Options
<input type="radio"/> DA 24V=/5,4W			
<input type="radio"/> DF 24V=/12,7W			
<input type="radio"/> xx Other Options			

HOW TO ORDER CIRCUIT BAR**

EBM35A-xxxx-xx

Port size	Side cylinder ports Spacing 21 mm	Bottom cylinder ports Spacing 21 mm
G1/8"	<input type="radio"/> EBM35A-001C-xx	<input type="radio"/> EBM35A-002C-xx
M5	<input type="radio"/> EBM35A-001D-xx	<input type="radio"/> EBM35A-002D-xx

** Other options available. Consult factory.

Note click for valves mounted on base at the factory (add - 9 to the model number).

Number of stations (03=3 stations)

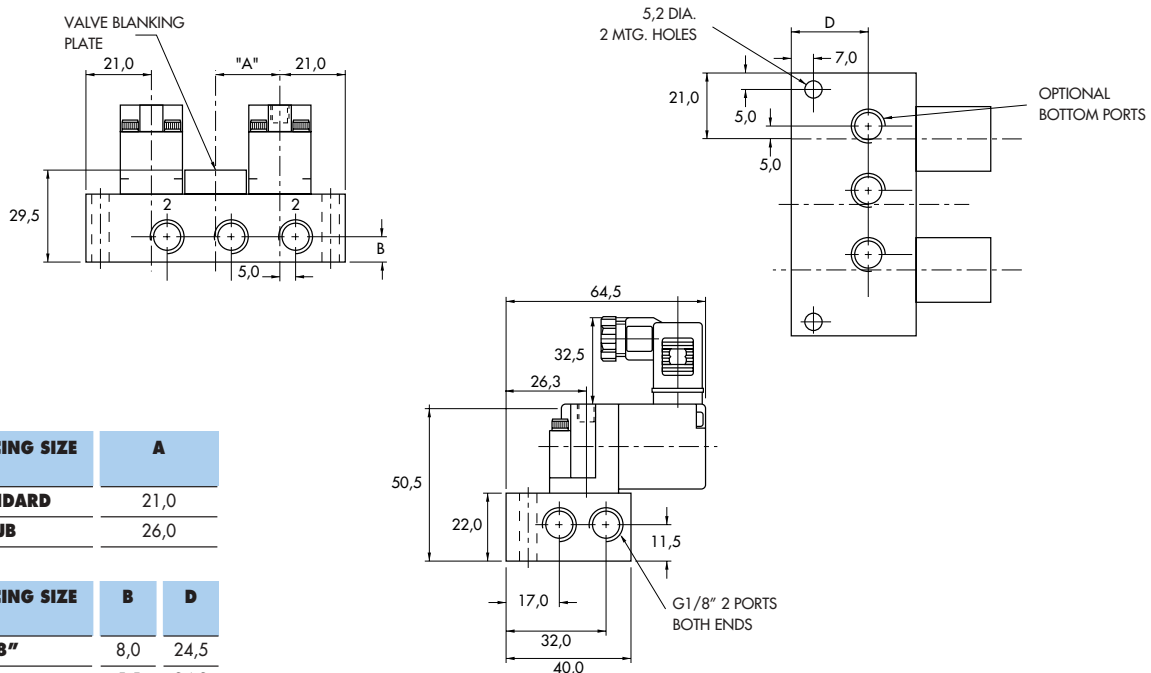
**TECHNICAL
DATA**

Fluid :	Compressed air, vacuum, inert gases		
Pressure range :	Vacuum to 8.5 bar		
Lubrication :	Not required, if used select a medium aniline point lubricant (between 80°C and 100°C)		
Filtration :	40 µ		
Temperature range :	-18°C to +50°C		
Orifice :	2 mm		
Flow (at 6 bar, ΔP=1 bar) :	1.8 W : 80 NI/min (C _v 0.08) - 5.4 to 12.7 W : 90 NI/min (C _v 0.09)		
Leak rate :	50 cm ³ /min		
Coil :	Epoxy encapsulated - class A wires - 100% ED (specify mod 0449)		
Voltage range :	-15% to +10% of nominal voltage		
Protection :	IP 65		
Power :	~ Inrush : 10.9 VA Holding : 7.7 VA = 1.8 to 12.7 W		
Response times :	24 V=5.4 W	Energize : 6 ms	De-energize : 2 ms
	50Hz/6 W	Energize : 3-8 ms	De-energize : 2-7 ms

Spare parts : • Solenoid operator (power ≥ 5.4 W) : 35A-000-DXXX-XXX including mounting screws 35013.
 • Seal (between solenoid and valve body) : 16402. • Pressure seal (between valve and bar) : 16447.
 • Blanking plate : M-35004.

Options : • NPTF threads. • High flow up to 170 NI/min, according to wattage. • Isolation of inlet and/or exhaust.

DIMENSIONS



SPACING SIZE	A
STANDARD	21,0
FOR JB	26,0

SPACING SIZE	B	D
G1/8"	8,0	24,5
M5	5,5	24,2

Function	Port size	Flow [Max]	Circuit bar mounting
3/2 NO-NC, 2/2 NO-NC	M5 - G1/8"	90 NI/min	with pressure regulators

OPERATIONAL BENEFITS

- Balanced poppet, immune to variations of pressure.
- Short stroke with high flow.
- The patented solenoid develops high shifting forces.
- Powerful return spring.
- Manual operator standard on all valves.
- Burn-out proof solenoid on AC service.


HOW TO ORDER

35A-xxx-Dxxx-xxx
HOW TO ORDER VALVE FOR CIRCUIT BAR MOUNTING

	Universal valve
Valve less base	<input type="radio"/> 35A-B00-Dxxx-xxx

SOLENOID OPERATOR
D XX X- X XX'

XX	Voltage	X	Wire length	X	Manual operator	XX	Electrical connection
<input type="radio"/> AB	220V~/50Hz	<input type="radio"/> A	45 cm (Flying leads)	<input type="radio"/> 1	Non-locking	<input type="radio"/> KA	Square connector
<input type="radio"/> AA	110V~/50Hz	<input type="radio"/> J	Connector	<input type="radio"/> 2	Locking	<input type="radio"/> KD	Square connector with light
<input type="radio"/> AC	24V~/50Hz	<input type="radio"/> x	Other Options	<input type="radio"/> x	Other Options	<input type="radio"/> BA	Flying leads
<input type="radio"/> FB	24V=/1,8W					<input type="radio"/> xx	Other Options
<input type="radio"/> DA	24V=/5,4W						
<input type="radio"/> DF	24V=/12,7W						
<input type="radio"/> xx	Other Options						

HOW TO ORDER CIRCUIT BAR WITH PRESSURE REGULATORS (TO BE ORDERED SEPARATELY)**
EBM35A-xxxx-xx

Port size Side cylinder ports	Spacing 26 mm	Spacing 40 mm (with gauge port)
M5	<input type="radio"/> EBM35A-013D-xx	<input type="radio"/> EBM35A-023D-xx
G1/8"	<input type="radio"/> EBM35A-013C-xx	<input type="radio"/> EBM35A-023C-xx
Port size Bottom cylinder ports	Spacing 26 mm	Spacing 40 mm (with gauge port)
M5	<input type="radio"/> EBM35A-014D-xx	<input type="radio"/> EBM35A-024D-xx
G1/8"	<input type="radio"/> EBM35A-014C-xx	<input type="radio"/> EBM35A-024C-xx

** Other options available. Consult factory.

 Number of stations (03=3 stations)

 Note click for valves mounted on base at the factory (add - 9 to the model number).

**TECHNICAL
DATA**

Fluid :	Compressed air, vacuum, inert gases		
Pressure range :	Vacuum to 8.5 bar		
Lubrication :	Not required, if used select a medium aniline point lubricant (between 80°C and 100°C)		
Filtration :	40 µ		
Temperature range :	-18°C to +50°C		
Orifice :	2 mm		
Flow (at 6 bar, ΔP=1 bar) :	1.8 W : 80 NI/min (C _v 0.08) - 5.4 to 12.7 W : 90 NI/min (C _v 0.09)		
Leak rate :	50 cm ³ /min		
Coil :	Epoxy encapsulated - class A wires - 100% ED (specify mod 0449)		
Voltage range :	-15% to +10% of nominal voltage		
Protection :	IP 65		
Power :	~ Inrush : 10.9 VA Holding : 7.7 VA = 1.8 to 12.7 W		
Response times :	24 V=5.4 W	Energize : 6 ms	De-energize : 2 ms
	50Hz/6 W	Energize : 3-8 ms	De-energize : 2-7 ms

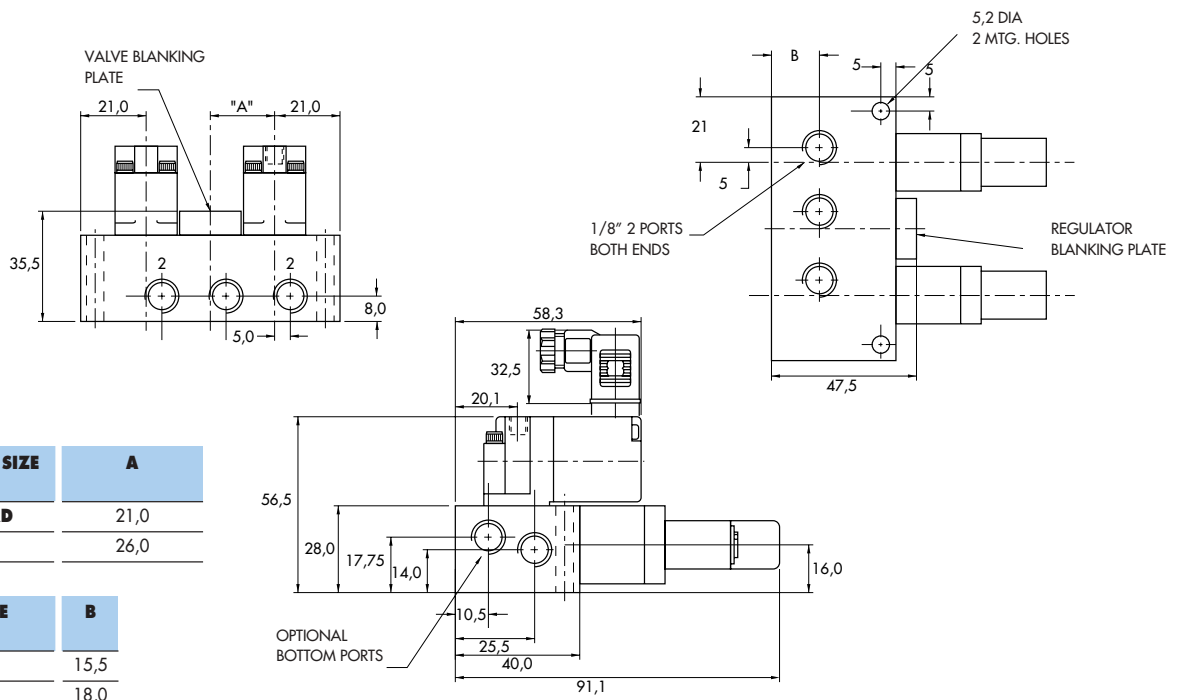
Spare parts :

- Solenoid operator (power ≥ 5.4 W) : 35A-000-DXXX-XXX, including mounting screws 35013.
- Seal (between solenoid and valve body) : 16402. • Pressure seal (between valve and base) : 16447.
- Blanking plate valve : M-35004. • Blanking plate regulator : M-35005. • Pressure regulator : 35A-00M.

Options :

- NPTF threads. • High flow up to 170 NI/min, according to wattage.
- Isolation of inlet and/or exhaust.

DIMENSIONS



SPACING SIZE	A
STANDARD	21,0
FOR JB	26,0

PORT SIZE	B
G 1/8"	15,5
M5	18,0

Function	Port size	Flow [Max]	Circuit bar mounting
3/2 NO-NC, 2/2 NO-NC	M5 - G1/8"	90 NI/min	"plug-in"

OPERATIONAL BENEFITS

1. Balanced poppet, immune to variations of pressure.
2. Short stroke with high flow.
3. The patented solenoid develops high shifting forces.
4. Powerful return spring.
5. Manual operator standard on all valves.
6. Burn-out proof solenoid on AC service.



HOW TO ORDER

Reset

35A-xxx-DxxJ-xFM

HOW TO ORDER VALVE FOR "PLUG-IN" CIRCUIT BAR

	Universal valve
Valve less base	<input type="radio"/> 35A-B00-DxxJ-xFM

SOLENOID OPERATOR ►

D **XX** J- **X** FM*

XX Voltage	X Manual operator
<input type="radio"/> AB 220V~/50Hz	<input type="radio"/> 1 Non-locking
<input type="radio"/> AA 110V~/50Hz	<input type="radio"/> 2 Locking
<input type="radio"/> AC 24V~/50Hz	<input type="radio"/> x Other Options
<input type="radio"/> FB 24V=/1,8W	
<input type="radio"/> DA 24V=/5,4W	
<input type="radio"/> DF 24V=/12,7W	
<input type="radio"/> xx Other Options	

HOW TO ORDER "PLUG-IN" CIRCUIT BAR **

ECD35A-xxxx-xx-xx

Port size	Spacing mm	Side cylinder ports	Bottom cylinder ports
M5	21	<input type="radio"/> ECD35A-001D-A0-xx*	<input type="radio"/> ECD35A-002D-A0-xx*
G1/8"	21	<input type="radio"/> ECD35A-001C-A0-xx*	<input type="radio"/> ECD35A-002C-A0-xx*

- * without light (AO)
- with light 240V~/50 Hz (AB)
- with light 24V= (AD)

Number of stations (03=3 stations)

** Other options available. Consult factory.

Note for valves mounted on base at the factory (add - 9 to the model number).

**TECHNICAL
DATA**

Fluid :	Compressed air, vacuum, inert gases		
Pressure range :	Vacuum to 8.5 bar		
Lubrication :	Not required, if used select a medium aniline point lubricant (between 80°C and 100°C)		
Filtration :	40 µ		
Temperature range :	-18°C to +50°C		
Orifice :	2 mm		
Flow (at 6 bar, ΔP=1 bar) :	1.8 W : 80 NI/min (C _v 0.08) - 5.4 to 12.7 W : 90 NI/min (C _v 0.09)		
Leak rate :	50 cm ³ /min		
Coil :	Epoxy encapsulated - class A wires - 100% ED (specify mod 0449)		
Voltage range :	-15% to +10% of nominal voltage		
Protection :	IP 65		
Power :	~ Inrush : 10.9 VA Holding : 7.7 VA DC : 1.8 to 12.7 W		
Response times :	24 V=5.4 W	Energize : 6 ms	De-energize : 2 ms
	50Hz/6 W	Energize : 3-8 ms	De-energize : 2-7 ms

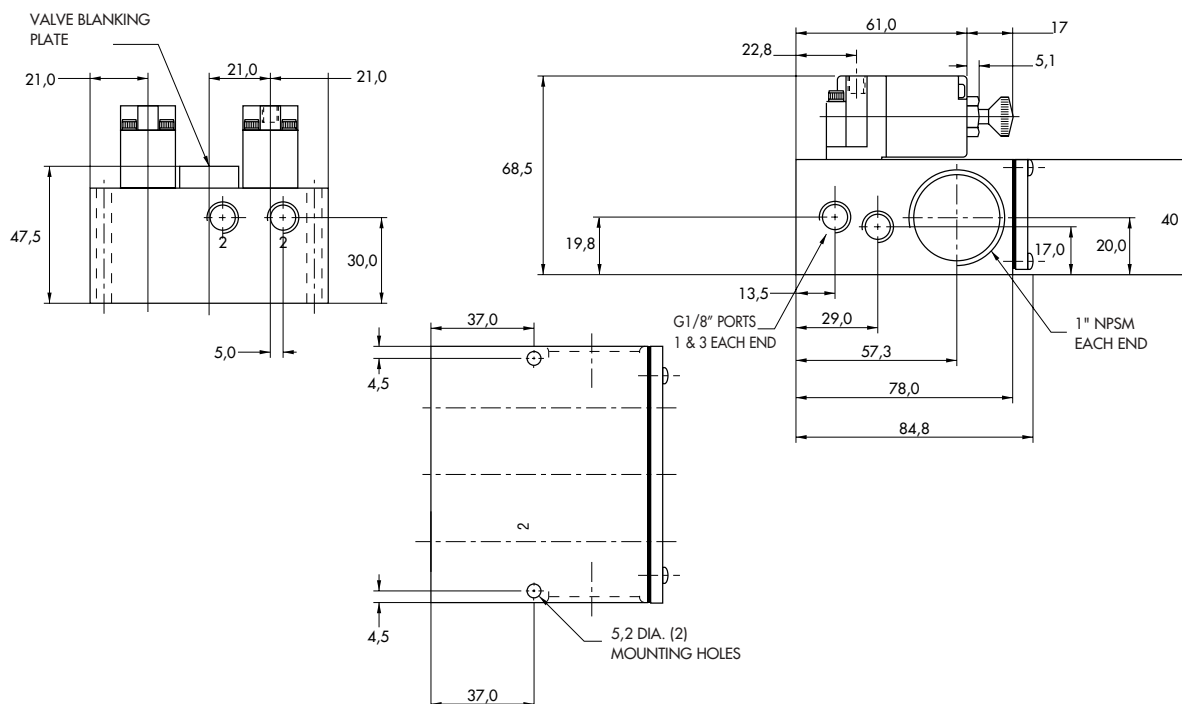
Spare parts :

- Solenoid operator (power ≥ 5.4 W) : 35A-000-DXXJ-XFM including mounting screws 35013.
- Seal (between solenoid and valve body) : 16402. • Pressure seal (between valve and bar) : 16447.
- Blanking plate : M-35004.

Options :

- NPTF threads. • High flow up to 170 NI/min, according to wattage.
- Isolation of inlet and/or exhaust.

DIMENSIONS



Function	Port size	Flow [Max]	Circuit bar mounting
3/2 NO-NC, 2/2 NO-NC	M5 - G1/8"	90 NI/min	"plug-in" with pressure regulators

OPERATIONAL BENEFITS

1. Balanced poppet, immune to variations of pressure.
2. Short stroke with high flow.
3. The patented solenoid develops high shifting forces.
4. Powerful return spring.
5. Manual operator standard on all valves.
6. Burn-out proof solenoid on AC service.



HOW TO ORDER

Reset

35A-xxx-DxxJ-xFM

HOW TO ORDER VALVE FOR "PLUG-IN" CIRCUIT BAR

	Universal valve
Valve less base	<input type="radio"/> 35A-B00-DxxxJ-xFM

SOLENOID OPERATOR >

D **XX** J- **X** FM*

XX Voltage	X Manual operator
<input type="radio"/> AB 220V~/50Hz	<input type="radio"/> 1 Non-locking
<input type="radio"/> AA 110V~/50Hz	<input type="radio"/> 2 Locking
<input type="radio"/> AC 24V~/50Hz	<input type="radio"/> x Other Options
<input type="radio"/> FB 24V=/1,8W	
<input type="radio"/> DA 24V=/5,4W	
<input type="radio"/> DF 24V=/12,7W	
<input type="radio"/> xx Other Options	

HOW TO ORDER "PLUG-IN" CIRCUIT BAR WITH PRESSURE REGULATORS (TO BE ORDERED SEPARATELY)**

ECD35A-xxxx-xx-xx

Port size	Spacing mm	Bottom cylinder ports
M5	21	<input type="radio"/> ECD35A-004D-A0-xx*
G1/8"	21	<input type="radio"/> ECD35A-004C-A0-xx*

- * without light (AO)
- with light 240V~/50Hz (AB)
- with light 24V= (AD)

Number of stations (03=3 stations)

** Other options available. Consult factory.

Note click for valves mounted on base at the factory (add - 9 to the model number).

**TECHNICAL
DATA**

Fluid :	Compressed air, vacuum, inert gases		
Pressure range :	Vacuum to 8.5 bar		
Lubrication :	Not required, if used select a medium aniline point lubricant (between 80°C and 100°C)		
Filtration :	40 µ		
Temperature range :	-18°C to +50°C		
Orifice :	2 mm		
Flow (at 6 bar, ΔP=1 bar) :	1.8 W : 80 NI/min (C _v 0.08) - 5.4 to 12.7 W : 90 NI/min (C _v 0.09)		
Leak rate :	50 cm ³ /min		
Coil :	Epoxy encapsulated - class A wires - 100% ED (specify mod 0449)		
Voltage range :	-15% to +10% of nominal voltage		
Protection :	IP 65		
Power :	~ Inrush : 10.9 VA Holding : 7.7 VA = 1.8 to 12.7 W		
Response times :	24 V=5.4 W	Energize : 6 ms	De-energize : 2 ms
	50Hz/6 W	Energize : 3-8 ms	De-energize : 2-7 ms

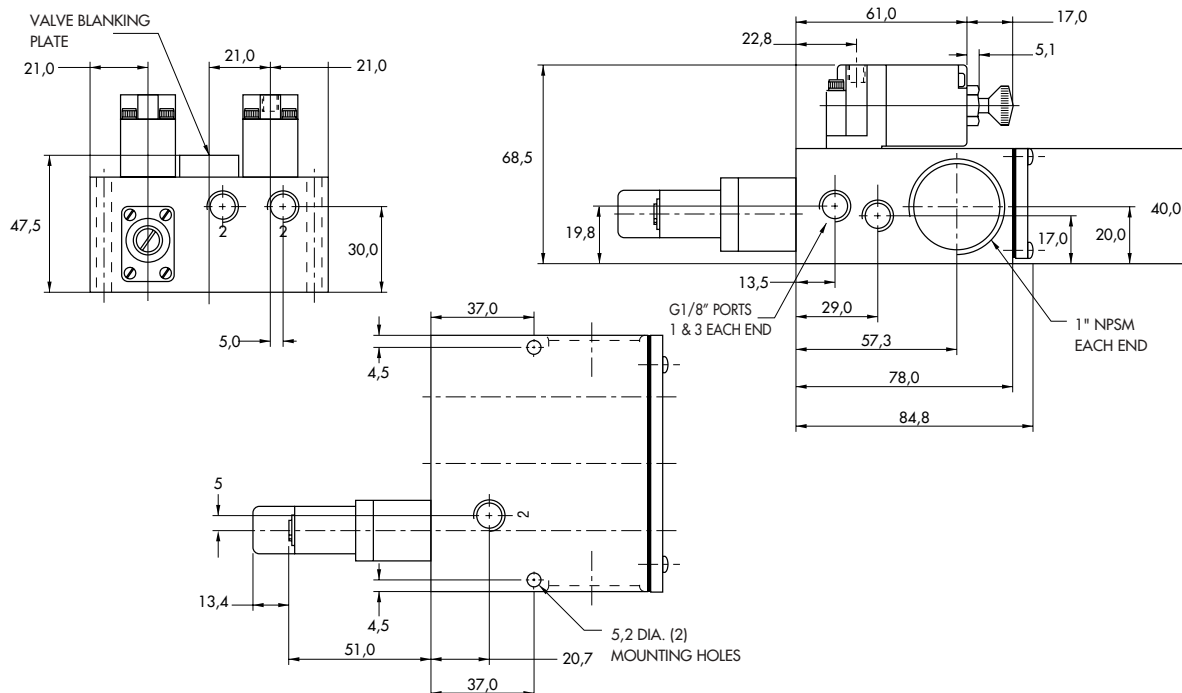
Spare parts :

- Solenoid operator (power ≥ 5.4 W) : 35A-000-DXXJ-XFM including mounting screws 35013.
- Seal (between solenoid and valve body) : 16402. • Pressure seal (between valve and bar) : 16447.
- Blanking plate valve : E054. • Blanking plate regulator : M-35005. • Pressure regulator : 35A-00M.

Options :

- NPTF threads. • High flow up to 170 NI/min, according to wattage.
- Isolation of inlet and/or exhaust.

DIMENSIONS





0 p t i o n s

Codification table for voltages / Wire length / Manual operators / Electrical connections

VALVE CODE >

-D X X X - X X X
1 2 3 4

OPTIONS AVAILABLE FOR

- Solenoid valves 35 & 45 Series

- Pilot operated valves with pilots type 35 Series
Series : 82

1. VOLTAGE

- D XX	X - X XX	VOLTAGE
AA		120 V~/60 Hz - 110 V/50 Hz
AB		240 V~/60 Hz - 220 V/50 Hz
AC		24 V~/60 Hz - 24 V/50 Hz
AD		24 V~/60 Hz
AE		200 V~/60 Hz
AF		240 V~/50 Hz
AG		240 V~/50 Hz
DA		24 V=/5,4 W
DB		12 V=/5,4 W
DC		12 V=/7,5 W
DD		24 V=/7,3 W
DE		12 V=/12,7 W CLSF
DF		24 V=/12,7 W CLSF
DK		110 V=/4,7 W
DL		64 V=/6 W
DM		36 V=/5,3 W
DN		6 V=/6 W
DP		48 V=/5,8 W
DU		24 V=/6 W
EA		12 V=/6 W
FA		12 V=/1,8 W
FB		24 V=/1,8 W
FE		12 V=/2,4 W
FF		24 V=/2,4 W

2. WIRE LENGTH

- D XX	X - X XX	WIRE LENGTH
A		45 cm - 18"
B		60 cm - 24"
C		90 cm - 36"
D		120 cm - 48"
E		180 cm - 72"
F		240 cm - 96"
J		For external plug-in connector
P		For plug-in valves (82 Series only)

3. MANUAL OPERATOR

- D XX X - X XX MANUAL OPERATOR

0	No operator
1	Non-locking recessed
2	Locking recessed
3	Non-locking extended
4	Locking extended

4. ELECTRICAL CONNECTION

- D XX X - X XX ELECTRICAL CONNECTION

BA	Flying leads
BK	BA with protection diode
BL	BA with protection varistor
CA	1/2" NPS conduit
JB	Rectangular connector
JD	Rectangular connector with light
JM	Rectangular connector, male only
KA	Square connector
KB	Square connector with protection diode
KC	Square connector with protection varistor
KD	Square connector with light
KE	Square connector with light and protection diode
KF	Square connector with light and protection varistor
KJ	Square connector (male only)
KK	Square connector with protection diode (male only)
KL	Square connector with protection varistor (male only)
MA	Electrical common conduit
TA	Dual tabs
TB	TA with protection diode
TD	TA with light
TE	TA with light and protection diode
TJ	Dual tabs (male only)
TK	TJ with protection diode
TM	TJ with light
TN	TJ with light and protection diode
DA*	Plug-in connector
DK*	DA with protection diode
DL*	DA with protection varistor

* To be used with 82 Series only

Individual mounting

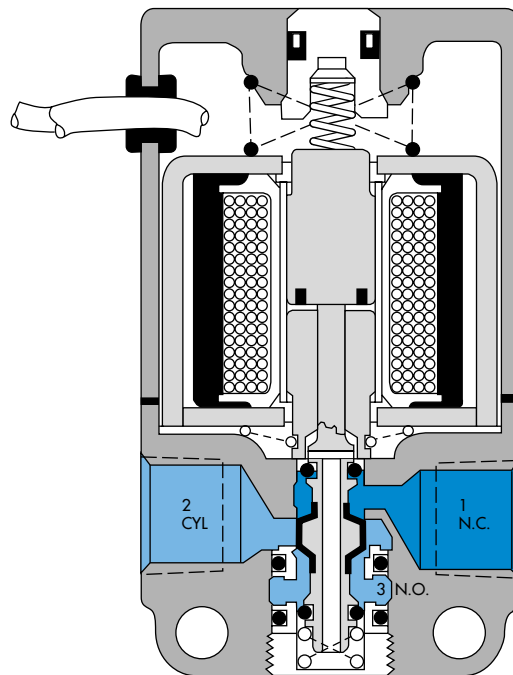
inline	
--------	--

Manifold mounting

stacking	sub-base
----------	----------

Circuit bar mounting

cylinder ports in base	
---------------------------	--



Function	Port size	Flow [Max]	Individual mounting
3/2 NO-NC, 2/2 NO-NC	G1/8" - G1/4"	180 NI/min	inline

OPERATIONAL BENEFITS

1. Balanced poppet, immune to variations of pressure.
2. Short stroke with high flow.
3. The patented solenoid develops high shifting forces.
4. Powerful return spring.
5. Manual operator standard on all valves.
6. Burn-out proof solenoid on AC service.



HOW TO ORDER

Reset

XXXX-XXYYZ

Port size	Universal valve	NC only valve
G1/8"	<input type="radio"/> 116B- XXYYZ	<input type="radio"/> 166B- XXYYZ
G1/4"	<input type="radio"/> 117B- XXYYZ	<input type="radio"/> 167B- XXYYZ

SOLENOID OPERATOR >

XX Y ZZ*

XX	Voltage	Y	Manual operator	ZZ	Electrical connection
<input type="radio"/> 11	110V~/50Hz	<input type="radio"/> 1	Non-locking	<input type="radio"/> JB	Rectangular connector
<input type="radio"/> 12	220V~/50Hz	<input type="radio"/> 2	Locking	<input type="radio"/> JD	Rectangular connector with light
<input type="radio"/> 22	24V~/50Hz	<input type="radio"/> y	Other Options	<input type="radio"/> JA	Square connector
<input type="radio"/> 59	24V=/2,5W			<input type="radio"/> JC	Square connector with light
<input type="radio"/> 87	24V=/17,1W			<input type="radio"/> BA	Flying leads (45 cm)
<input type="radio"/> 61	24V=/8,5W			<input type="radio"/> zz	Other Options
<input type="radio"/> xx	Other Options				

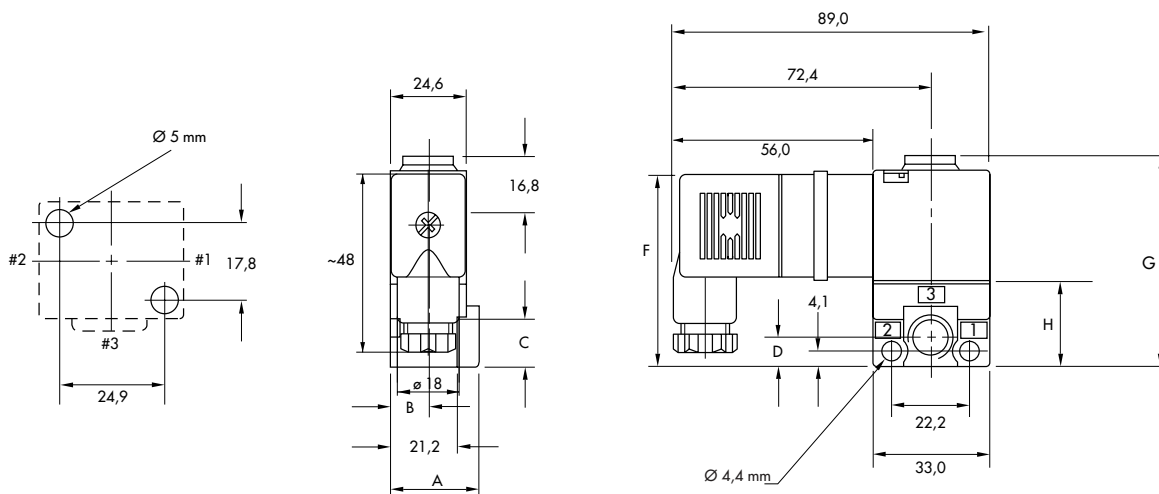
**TECHNICAL
DATA**

Fluid :	Compressed air, vacuum, inert gases		
Pressure range :	Vacuum to 10 bar		
Lubrication :	Not required, if used select a medium aniline point lubricant (between 80°C and 100°C)		
Filtration :	40 µ		
Temperature range :	-18°C to +60°C		
Orifice :	2 mm		
Flow (at 6 bar, ΔP=1 bar) :	180 NI/min (C _v 0.18)		
Leak rate :	50 cm ³ /min		
Coil :	Epoxy encapsulated - class A wires - 100% ED (specify mod 0449)		
Voltage range :	-15% to +10% of nominal voltage		
Protection :	IP 65		
Power :	~ Inrush : 14.8 VA Holding : 10.9 VA = 1 to 17 W		
Response times :	24 V=8.5 W	Energize : 7 ms	De-energize : 2 ms
	50Hz/6 W	Energize : 3-8 ms	De-energize : 2-7 ms

Spare parts : • Solenoid operator (power ≥ 4 W) : D1-XXYZZ, including mounting screws 32184 and seal 16234.

Options : • NPTF threads.

DIMENSIONS



PORT SIZE	A	B	C	D	E	F	G	H
G1/8"	28,4	12,7	14,0	8,0	40,1	64,9	60,1	23,2
G1/4"	29,8	13,3	12,7	9,9	40,9	65,8	60,9	24,1

Function	Port size	Flow [Max]	Manifold mounting
3/2 NO-NC, 2/2 NO-NC	G1/8" - G1/4"	180 NI/min	stacking

OPERATIONAL BENEFITS

- Balanced poppet, immune to variations of pressure.
- Short stroke with high flow.
- The patented solenoid develops high shifting forces.
- Powerful return spring.
- Manual operator standard on all valves.
- Burn-out proof solenoid on AC service.



HOW TO ORDER

Reset

XXXX-XXYZZ

Port size	Universal valve	NC only valve
G1/8"	<input type="radio"/> 186B- XXYZZ	<input type="radio"/> 188B- XXYZZ
G1/4"	<input type="radio"/> 187B- XXYZZ	<input type="radio"/> 189B- XXYZZ

SOLENOID OPERATOR >

XX Y ZZ*

XX	Voltage	Y	Manual operator	ZZ	Electrical connection
<input type="radio"/> 11	110V~/50Hz	<input type="radio"/> 1	Non-locking	<input type="radio"/> JB	Rectangular connector
<input type="radio"/> 12	220V~/50Hz	<input type="radio"/> 2	Locking	<input type="radio"/> JD	Rectangular connector with light
<input type="radio"/> 22	24V~/50Hz	<input type="radio"/> y	Other Options	<input type="radio"/> BA	Flying leads (45 cm)
<input type="radio"/> 59	24V=/2,5W			<input type="radio"/> zz	Other Options
<input type="radio"/> 87	24V=/17,1W				
<input type="radio"/> 61	24V=/8,5W				
<input type="radio"/> xx	Other Options				

End plate kit (Port size G1/4") : M-01001-01P

TECHNICAL
DATA

Fluid :	Compressed air, vacuum, inert gases		
Pressure range :	Vacuum to 10 bar		
Lubrication :	Not required, if used select a medium aniline point lubricant (between 80°C and 100°C)		
Filtration :	40 µ		
Temperature range :	-18°C to +60°C		
Orifice :	2 mm		
Flow (at 6 bar, ΔP=1 bar) :	180 NI/min (C _v 0.18)		
Leak rate :	50 cm ³ /min		
Coil :	Epoxy encapsulated - class A wires - 100% ED (specify mod 0449)		
Voltage range :	-15% to +10% of nominal voltage		
Protection :	IP 65		
Power :	~ Inrush 14.8 VA	Holding : 10.9 VA	
	DC : 1 to 17.1 W		
Response times :	24 V=8.5 W	Energize : 7 ms	De-energize : 2 ms
	50Hz/6 W	Energize : 3-8 ms	De-energize : 2-7 ms

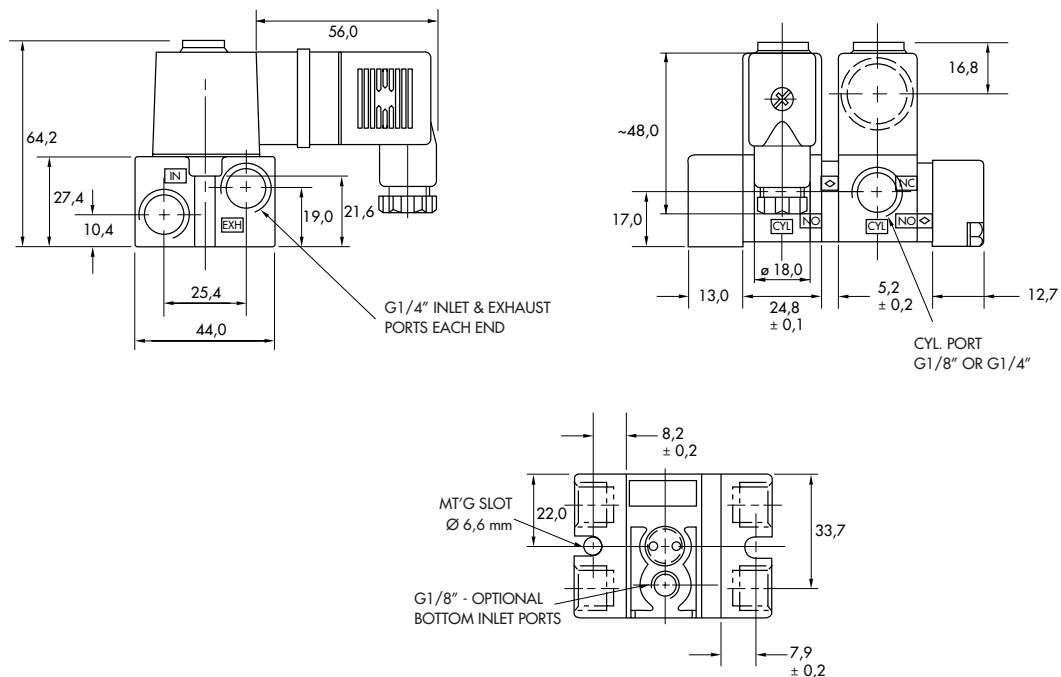
Spare parts :

- Solenoid operator (power ≥ 4 W) : D1-XXYZZ1, including mounting screws 35206 and seal 16234.
- Function plate : N-01002. • Tie-rod (x2) : 19674.

Options :

- NPTF threads. • Isolation of inlet and/or exhaust.

DIMENSIONS



Function	Port size	Flow [Max]	Manifold mounting
3/2 NO-NC, 2/2 NO-NC	G 1/8"	140 NI/min	sub-base

OPERATIONAL BENEFITS

- Balanced poppet, immune to variations of pressure.
- Short stroke with high flow.
- The patented solenoid develops high shifting forces.
- Powerful return spring.
- Manual operator standard on all valves.
- Burn-out proof solenoid on AC service.



HOW TO ORDER

Reset

XXXX-XXYZZ

Port size	Universal valve	NC only valve
Valve less base	<input type="radio"/> 130B- XXYZZ	<input type="radio"/> 170B- XXYZZ
G 1/8" base	<input type="radio"/> 136B- XXYZZ	<input type="radio"/> 176B- XXYZZ

SOLENOID OPERATOR >

XX Y ZZ*

XX	Voltage	Y	Manual operator	ZZ	Electrical connection
<input type="radio"/> 11	110V~/50Hz	<input type="radio"/> 1	Non-locking	<input type="radio"/> JB	Rectangular connector
<input type="radio"/> 12	220V~/50Hz	<input type="radio"/> 2	Locking	<input type="radio"/> JD	Rectangular connector with light
<input type="radio"/> 22	24V~/50Hz	<input type="radio"/> y	Other Options	<input type="radio"/> BA	Flying leads (45 cm)
<input type="radio"/> 59	24V=/2,5W			<input type="radio"/> zz	Other Options
<input type="radio"/> 87	24V=/17,1W				
<input type="radio"/> 61	24V=/8,5W				
<input type="radio"/> xx	Other Options				

End plate kit (Port size : G1/4") : A2-5004-01P

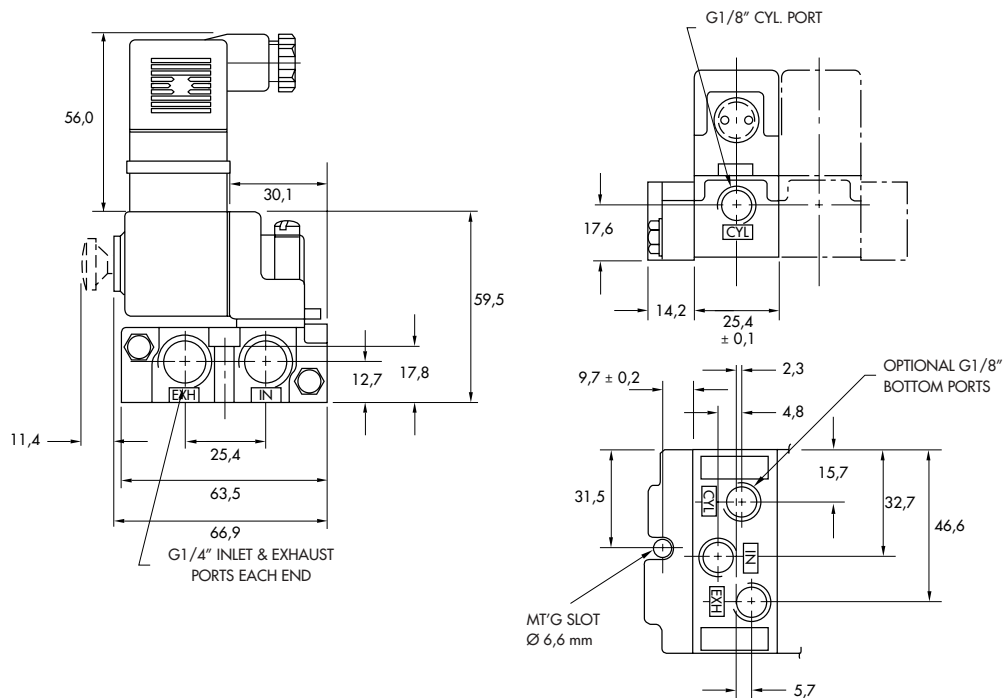
TECHNICAL
DATA

Fluid :	Compressed air, vacuum, inert gases		
Pressure range :	Vacuum to 10 bar		
Lubrication :	Not required, if used select a medium aniline point lubricant (between 80°C and 100°C)		
Filtration :	40 µ		
Temperature range :	-18°C to +60°C		
Orifice :	2 mm		
Flow (at 6 bar, ΔP=1 bar) :	140 NI/min (C _v 0.14)		
Leak rate :	50 cm ³ /min		
Coil :	Epoxy encapsulated - class A wires - 100% ED (specify mod 0449)		
Voltage range :	-15% to +10% of nominal voltage		
Protection :	IP 65		
Power :	~ Inrush : 14.8 VA	Holding : 10.9 VA	
	= 1 to 17 W		
Response times :	24 V=8.5 W	Energize : 7 ms	De-energize : 2 ms
	50Hz/6 W	Energize : 3-8 ms	De-energize : 2-7 ms

Spare parts : • Solenoid operator (power ≥ 4 W) : D1-XXYZZ, including mounting screws 32184 and seal 16234.
• Function plate : A2-7009. • Seal between manifold bases : 16226. • Tie-rod (x2) : 19546.

Options : • NPTF threads. • Isolation of inlet and/or exhaust.

DIMENSIONS



Function	Port size	Flow [Max]	Circuit bar mounting
3/2 NO-NC, 2/2 NO-NC	G1/8"	150 NI/min	cylinder ports in base

OPERATIONAL BENEFITS

- Balanced poppet, immune to variations of pressure.
- Short stroke with high flow.
- The patented solenoid develops high shifting forces.
- Powerful return spring.
- Manual operator standard on all valves.
- Burn-out proof solenoid on AC service.



HOW TO ORDER

Reset

XXXX-XXYZZ

HOW TO ORDER VALVE FOR CIRCUIT BAR MOUNTING

	Universal valve	NC only valve
Valve less base	<input type="radio"/> 130B- XXYZZ	<input type="radio"/> 170B- XXYZZ

SOLENOID OPERATOR >

XX Y ZZ*

XX Voltage	Y Manual operator	ZZ Electrical connection
<input type="radio"/> 11 110V~/50Hz	<input type="radio"/> 1 Non-locking	<input type="radio"/> JB Rectangular connector
<input type="radio"/> 12 220V~/50Hz	<input type="radio"/> 2 Locking	<input type="radio"/> JD Rectangular connector with light
<input type="radio"/> 22 24V~/50Hz	<input type="radio"/> y Other Options	<input type="radio"/> BA Flying leads (45 cm)
<input type="radio"/> 59 24V=/2,5W		<input type="radio"/> zz Other Options
<input type="radio"/> 87 24V=/17,1W		
<input type="radio"/> 61 24V=/8,5W		
<input type="radio"/> xx Other Options		

HOW TO ORDER CIRCUIT BAR**

EBM10-xxxx-xx

Port size	Spacing	Side cylinder ports	Bottom cylinder ports
G1/8"	26 mm	<input type="radio"/> EBM10-011C- xx	<input type="radio"/> EBM10-012C- xx
G1/8"	40 mm	<input type="radio"/> EBM10-021C- xx	<input type="radio"/> EBM10-022C- xx

** Other options available. Consult factory.

Number of stations (03=3 stations)

Note : click for valves mounted on base at the factory (add -9 to the model number).

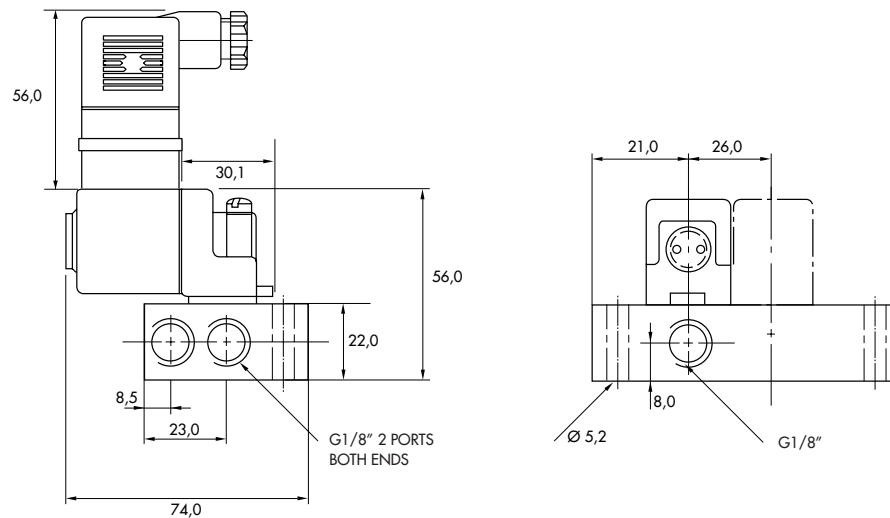
**TECHNICAL
DATA**

Fluid :	Compressed air, vacuum, inert gases		
Pressure range :	Vacuum to 10 bar		
Lubrication :	Not required, if used select a medium aniline point lubricant (between 80°C and 100°C)		
Filtration :	40 µ		
Temperature range :	-18°C to +60°C		
Orifice :	2 mm		
Flow (at 6 bar, ΔP=1 bar) :	150 NI/min (C _v 0.15)		
Leak rate :	50 cm ³ /min		
Coil :	Epoxy encapsulated - class A wires - 100% ED (specify mod 0449)		
Voltage range :	-15% to +10% of nominal voltage		
Protection :	IP 65		
Power :	~ Inrush	14.8 VA	Holding : 10.9 VA
		= 1 to 17 W	
Response times :	24 V=	8.5 W	Energize : 7 ms De-energize : 2 ms
	50Hz/	6 W	Energize : 3-8 ms De-energize : 2-7 ms

Spare parts : • Solenoid operator (power ≥ 4 W) : D1-XXYZZ, including mounting screws 32184 and seal 16234.
 • Function plate : A2-7009. • Blanking plate : E144.

Options : • NPTF threads. • Isolation of inlet and/or exhaust.

DIMENSIONS





Codification table for voltages / Manual operator / Electrical connection / Wire length

VALVE CODE >

-XX Y ZZ (-VV)
1 2 3 4

OPTIONS AVAILABLE FOR	OPTIONS AVAILABLE FOR
- valves type 100 Series - pilot valves "CNOMO"	- valves type 200 Series
- Pilot operated valves with pilots type 100 Series Series : 55 - 56 - 700 - 800 - 900 - 6200 - 6300 - 6500 - 6600 - 1300 - ISO 1 - ISO 2 - ISO 3.	- pilot operated valves with pilots type 200 Series Series : 200 - 57 - 58 - 59.
- Pilot operated valves with pilots "CNOMO" Series : ISO1 - ISO2 - ISO3	

1. VOLTAGE (type 100 Series)		1. VOLTAGE (type 200 Series)	
- XX Y ZZ	VOLTAGE	- XX Y ZZ	VOLTAGE
11	120 V~/60 Hz - 110 V~/50 Hz	11	120 V~/60 Hz - 110 V~/50 Hz - 24 V=
12	240 V~/60 Hz - 220 V~/50 Hz	12	240 V~/60 Hz - 220 V~/50 Hz
13	100 V~/60 Hz - 100 V~/50 Hz	13	100 V~/60 Hz - 100 V~/50 Hz
15	200 V~/60 Hz - 200 V~/50 Hz	14	200 V~/60 Hz - 200 V~/50 Hz
16	10 V~/60 Hz	20	6 V~/60 Hz
20	6 V~/60 Hz	21	12 V~/60 Hz
21	12 V~/50 Hz - 12 V~/60 Hz	22	24 V~/60 Hz - 24 V~/50 Hz
22	24 V~/60 Hz - 24 V~/50 Hz	23	32 V~/60 Hz - 32 V~/50 Hz
23	32 V~/60 Hz - 32 V~/50 Hz	24	48 V~/60 Hz - 42 V~/50 Hz
24	48 V~/60 Hz - 42 V~/50 Hz	25	240 V~/50 Hz
26	380 V~/50 Hz, 440 V~/50 Hz -440 V~/60 Hz, 480 V~/60 Hz-CLSF	26	480 V~/60 Hz - 440 V~/50 Hz
29	200 V~/60 Hz	27	127 V~/60 Hz
34	127 V~/50 Hz - 120 V~/50 Hz	28	415 V~/50 Hz
35	48 V~/50 Hz	29	200 V~/60 Hz
36	16 V~/60 Hz	30	380 V~/50 Hz
B1	24 V~/50 Hz	31	550 V~/60 Hz - 550 V~/50 Hz
50	24 V=/6 W	32	120 V~/60 Hz - 110 V~/50 Hz
51	24 V=/4 W	33	600 V~/60 Hz
54	12 V=/4 W	34	127 V~/50 Hz
55	12 V=/6 W	35	48 V~/50 Hz
57	12 V=/2,5 W	50	24 V=/6 W
59	24 V=/2,5 W	51	24 V=/4,5 W
60	12 V=/8,5 W	52	24 V=/2,5 W
61	24 V=/8,5 W	53	24 V=/1 W
64	6 V=/6 W	55	12 V=/6 W
65	32 V=/7 W	57	12 V=/2,5 W
66	48 V=/5,8 W	58	48 V=/2,5 W
67	64 V=/7,5 W	60	12 V=/9,5 W
68	120 V=/6,4 W	61	24 V=/8,5 W
69	220 V=/8,7 W - 250 V=/11,2 W CLSF	64	6 V=/8,5 W
75	90 V=/8,8 W CLSF	65	32 V=/10 W
76	100 V=/6,9 W CLSF	66	48 V=/11,5 W
84	125 V=/10,9 W CLSF	67	64 V=/10,5 W
87	24 V=/17,1 W CLSF	68	120 V=/12,3 W
88	12 V=/17,4 W CLSF	69	250 V=/9,2 W
89	36 V=/18,8 W CLSF	71	8 V=/8,2 W
90	28 V=/8,2 W	72	24 V=/12 W
91	6 V=/10,6 W CLSF	73	198 V=/10 W
92	190 V=/6,5 W	74	72 V=/11,3 W
94	3 V=/7 W	75	90 V=/11,3 W
95	38 V=/6,4 W	76	100 V=/9 W
A1	24 V=/1 W	77	220 V=/10 W - 230 V=/1,6 W
A2	12 V=/1 W	78	24 V=/24 W CLSF
A3	9 V=/1 W	80	55 V=/10,6 W CLSF
MOD. DD01 : Protection diode (DC)		82	179 V=/11,1 W
MOD. MOV1 : Protection varistor (AC)		83	15 V=/8,1 W
MOD. DD01 : max. 8,5 W		84	125 V=/10 W
MOD. MOV1 : max. 8,5 W		86	36 V=/11 W
		93	12 V=/24 W CLSF

2. MANUAL OPERATOR (Common options for 100 & 200 Series)

- XX Y ZZ	MANUAL OPERATOR
0	No operator
1	Non-locking recessed
2	Locking recessed
3	Non-locking extended
4	Locking extended

3. ELECTRICAL CONNECTION (type 100 Series)

- XX Y ZZ	ELECTRICAL CONNECTION
AA	Wiring box with 1/2" NPS conduit
BA	Flying leads
CA	1/2" NPS conduit
CC	1/2" NPS conduit
FA	Military type 2 PIN
GA	Military type 3 PIN
HA	AA with ground wire
JA*	Square connector
JB	Rectangular connector
JC*	Square connector with light
JD	Rectangular connector with light
JE	Square connector on top (ISO2, ISO3)
JF	Rectangular connector on top (ISO1, ISO2, ISO3)
JG	JE with light
JH	JF with light
JJ	Square connector, male only
JM	Rectangular connector, male only
MA	Electrical common conduit
MB	Electrical common conduit
NA	CA with ground wire
NC	CC with ground wire
RA	3/8" NPS conduit
AD	Wiring box 20 mm
AH	Wiring box PG 13,5 with ground wire
CD	20 mm conduit
CG	PG 11 conduit
HH	Wiring box PG 13,5 with ground wire
ND	20 mm conduit with ground wire
NG	PG11 conduit with ground wire
HD	20 mm wiring box with ground wire

3. ELECTRICAL CONNECTION (type 200 Series)

- XX Y ZZ	ELECTRICAL CONNECTION
AA	Wiring box with 1/2" NPS conduit
BA	Flying leads
CA	1/2" NPS conduit
CC	1/2" NPS conduit
EA	Explosion proof (200 Series)
EA	Explosion proof (57, 58 & 59 Series)
EE	Explosion proof (CENELEC)
EN	Explosion proof with ground wire
FA	Military type 2 PIN
GA	Military type 3 PIN
HA	AA with ground wire
JA*	Square connector
JC	Square connector with light
JJ	Square connector, male only
NA	CA with ground wire
NC	CC with ground wire
AD	Wiring box 20 mm
AK	PG 16 wiring box
CD	20 mm conduit
CK	PG 16 conduit
HD	20 mm wiring box with ground wire
HK	PG16 wiring box with ground wire
ND	20 mm conduit with ground wire
NK	PG16 wiring box with ground wire

* Not to be used with 100, 800 and 900 Series manifold mounting

4. WIRE LENGTH (Common options for 100 & 200 Series)

- XX Y ZZ (-VV)	WIRE LENGTH
AA	45 cm - 18"
AB	60 cm - 24"
AD	90 cm - 36"
AE	120 cm - 48"
AF	180 cm - 72"
AG	15 cm - 6"
AR	30 cm - 12"
AU	305 cm - 120"
BA	152 cm - 60"
BB	366 cm - 144"

Series 6000 : wire length, delivered with the base

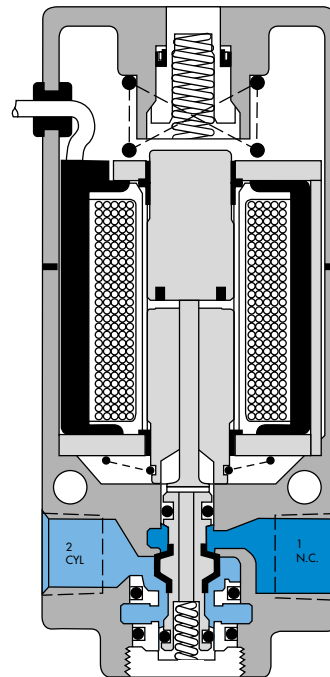
MOD L024	60 cm - 24"
MOD L036	91 cm - 36"
MOD L048	122 cm - 48"
MOD L060	152 cm - 60"
MOD L072	180 cm - 72"
MOD L120	305 cm - 120"

Individual mounting

inline	
--------	--

Manifold mounting

sub-base	sub-base with pressure regulators
----------	-----------------------------------



Function	Port size	Flow [Max]	Individual mounting
3/2 NO-NC, 2/2 NO-NC	G1/8" - G1/4"	500 NI/min	inline

OPERATIONAL BENEFITS

1. Balanced poppet, immune to variations of pressure.
2. Short stroke with high flow.
3. The patented solenoid develops high shifting forces.
4. Powerful return spring.
5. Manual operator standard on all valves.
6. Burn-out proof solenoid on AC service.



HOW TO ORDER

Reset

xxxx-xyzz Mod 005

Port size	Universal valve	NC only valve
G1/8"	<input type="radio"/> 224B- xyzz Mod 005	<input type="radio"/> 274B- xyzz Mod 005
G1/4"	<input type="radio"/> 225B- xyzz Mod 005	<input type="radio"/> 275B- xyzz Mod 005

SOLENOID OPERATOR >

XX Y ZZ*

XX	Voltage	Y	Manual operator	ZZ	Electrical connection
<input type="radio"/> 11	110V~/50Hz	<input type="radio"/> 1	Non-locking	<input type="radio"/> JA	Square connector
<input type="radio"/> 12	220V~/50Hz	<input type="radio"/> 2	Locking	<input type="radio"/> JC	Square connector with light
<input type="radio"/> 22	24V~/50Hz	<input type="radio"/> y	Other Options	<input type="radio"/> BA	Flying leads (45 cm)
<input type="radio"/> 52	24V=/2,5W			<input type="radio"/> zz	Other Options
<input type="radio"/> 78	24V=/24W				
<input type="radio"/> 61	24V=/8,5W				
<input type="radio"/> xx	Other Options				

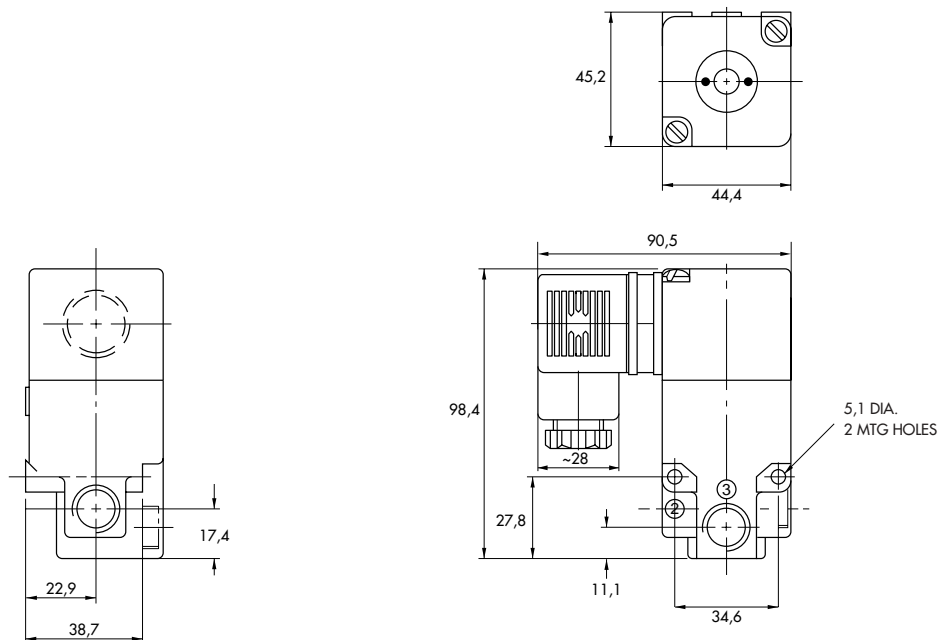
**TECHNICAL
DATA**

Fluid :	Compressed air, vacuum, inert gases		
Pressure range :	Vacuum to 10 bar		
Lubrication :	Not required, if used select a medium aniline point lubricant (between 80°C and 100°C)		
Filtration :	40 µ		
Temperature range :	-18°C to +60°C		
Orifice :	4.8 mm		
Flow (at 6 bar, ΔP=1 bar) :	500 NI/min (C _v 0.5)		
Leak rate :	50 cm ³ /min		
Coil :	Epoxy encapsulated - class A wires - 100% ED (specify mod 0449)		
Voltage range :	-15% to +10% of nominal voltage		
Protection :	IP 65		
Power :	~ Inrush : 33 VA	Holding : 19.7 VA	
	= 1 to 24 W		
Response times :	24 V=8.5 W	Energize : 15 ms	De-energize : 5 ms
	50Hz/6 W	Energize : 3-8 ms	De-energize : 3-13 ms

Spare parts : • Solenoid operator (power ≥ 6 W) : D4-XXYZZ, including mounting screws 32222 and seal B5-6001.

Options : • NPTF threads. • Explosion-proof model.

DIMENSIONS



Function	Port size	Flow [Max]	Manifold mounting
3/2 NO-NC, 2/2 NO-NC	G 1/8" - G 1/4"	450 NI/min	sub-base

OPERATIONAL BENEFITS

1. Balanced poppet, immune to variations of pressure.
2. Short stroke with high flow.
3. The patented solenoid develops high shifting forces.
4. Powerful return spring.
5. Manual operator standard on all valves.
6. Burn-out proof solenoid on AC service.



HOW TO ORDER

Reset

XXXX-XXYZZ

Port size	Universal valve	NC only valve
Valve less base	<input type="radio"/> 250B- XXYZZ	<input type="radio"/> 280B- XXYZZ
G 1/8" base	<input type="radio"/> 256B- XXYZZ Mod 005	<input type="radio"/> 286B- XXYZZ Mod 005
G 1/4" base	<input type="radio"/> 257B- XXYZZ Mod 005	<input type="radio"/> 287B- XXYZZ Mod 005

SOLENOID OPERATOR >

XX Y ZZ*

XX Voltage	Y Manual operator	ZZ Electrical connection
<input type="radio"/> 11 110V~/50Hz	<input type="radio"/> 1 Non-locking	<input type="radio"/> JC Square connector with light
<input type="radio"/> 12 220V~/50Hz	<input type="radio"/> 2 Locking	<input type="radio"/> JA Square connector
<input type="radio"/> 22 24V~/50Hz	<input type="radio"/> y Other Options	<input type="radio"/> BA Flying leads (45 cm)
<input type="radio"/> 52 24V=/2,5W		<input type="radio"/> zz Other Options
<input type="radio"/> 78 24V=/24W		
<input type="radio"/> 61 24V=/8,5W		
<input type="radio"/> xx Other Options		

End plate kit (Port size : G1/4") : A2-5003-01P

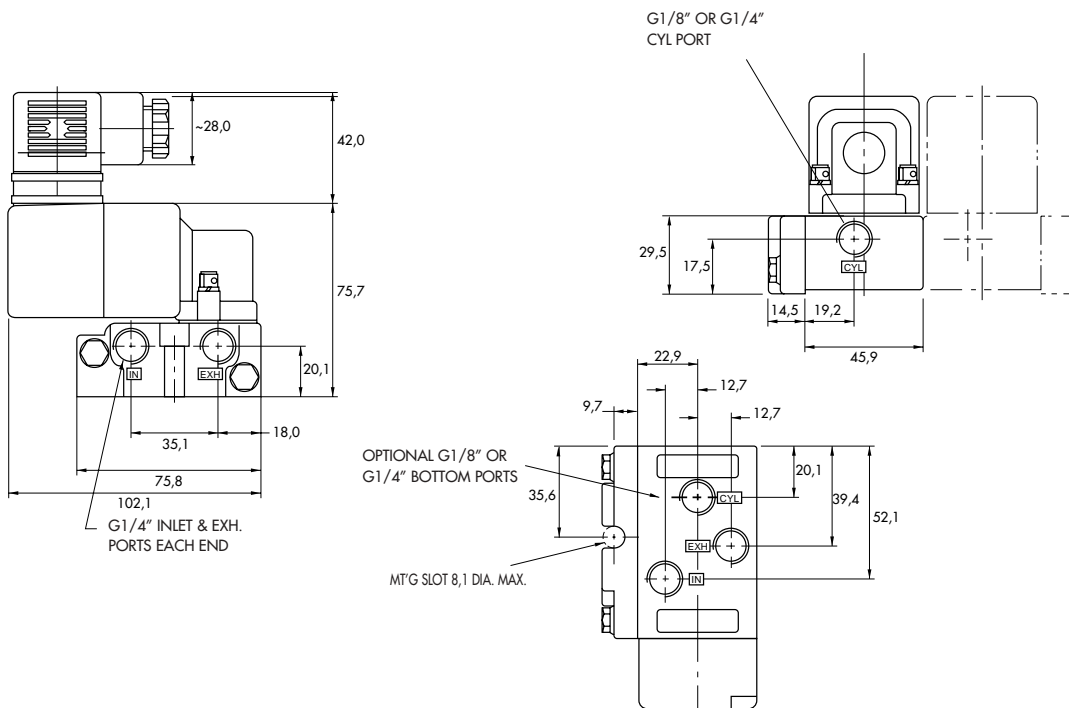
**TECHNICAL
DATA**

Fluid :	Compressed air, vacuum, inert gases		
Pressure range :	Vacuum to 10 bar		
Lubrication :	Not required, if used select a medium aniline point lubricant (between 80°C and 100°C)		
Filtration :	40 µ		
Temperature range :	-18°C to +60°C		
Orifice :	4.8 mm		
Flow (at 6 bar, ΔP=1 bar) :	450 NI/min (C _v 0.45)		
Leak rate :	50 cm ³ /min		
Coil :	Epoxy encapsulated - class A wires - 100% ED (specify mod 0449)		
Voltage range :	-15% to +10% of nominal voltage		
Protection :	IP 65		
Power :	~ Inrush : 33 VA	Holding : 19.7 VA	
	= 1 to 24 W		
Response times :	24 V=8.5 W	Energize : 15 ms	De-energize : 5 ms
	50Hz/16 W	Energize : 3-8 ms	De-energize : 3-13 ms

Spare parts : • Solenoid operator (power ≥ 6 W) : D4-XXYZZ, including mounting screws 32222 and seal B5-6001.
• Function plate : A2-7005. • Seal between bases : B5-5010. • Tie-rod (x2) : B4-9004.

Options : • NPTF threads. • Explosion-proof model. • Isolation of inlet and/or exhaust.

DIMENSIONS



Function	Port size	Flow [Max]	Manifold mounting
3/2 NO-NC, 2/2 NO-NC	G 1/8" - G 1/4"	400 NI/min	sub-base with pressure regulators

OPERATIONAL BENEFITS

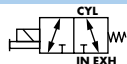
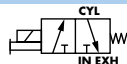
1. Balanced poppet, immune to variations of pressure.
2. Short stroke with high flow.
3. The patented solenoid develops high shifting forces.
4. Powerful return spring.
5. Manual operator standard on all valves.
6. Burn-out proof solenoid on AC service.



HOW TO ORDER

Reset

XXXX-XXYZZ

Port size	Universal valve	NC only valve
		
Valve less base	<input type="radio"/> 250B- XXYZZ	<input type="radio"/> 280B- XXYZZ
G 1/4" base	<input type="radio"/> 252B- XXYZZ Mod 005	<input type="radio"/> 282B- XXYZZ Mod 005

SOLENOID OPERATOR >

XX Y ZZ*

XX	Voltage	Y	Manual operator	ZZ	Electrical connection
<input type="radio"/> 11	110V~/50Hz	<input type="radio"/> 1	Non-locking	<input type="radio"/> JA	Square connector
<input type="radio"/> 12	220V~/50Hz	<input type="radio"/> 2	Locking	<input type="radio"/> JC	Square connector with light
<input type="radio"/> 22	24V~/50Hz	<input type="radio"/> y	Other Options	<input type="radio"/> BA	Flying leads (45 cm)
<input type="radio"/> 52	24V=/2,5W			<input type="radio"/> zz	Other Options
<input type="radio"/> 78	24V=/24W				
<input type="radio"/> 61	24V=/8,5W				
<input type="radio"/> xx	Other Options				

Manifold fastening kit : N-02003

**TECHNICAL
DATA**

Fluid :	Compressed air, vacuum, inert gases		
Pressure range :	Vacuum to 10 bar		
Lubrication :	Not required, if used select a medium aniline point lubricant (between 80°C and 100°C)		
Filtration :	40 µ		
Temperature range :	-18°C to +60°C		
Orifice :	4.8 mm		
Flow (at 6 bar, ΔP=1 bar) :	400 NI/min (C _v 0.40)		
Leak rate :	50 cm ³ /min		
Coil :	Epoxy encapsulated - class A wires - 100% ED (specify mod 0449)		
Voltage range :	-15% to +10% of nominal voltage		
Protection :	IP 65		
Power :	~ Inrush : 33 VA	Holding : 19.7 VA	
	= 1 to 24 W		
Response times :	24 V=8.5 W	Energize : 15 ms	De-energize : 5 ms
	50Hz/16 W	Energize : 3-8 ms	De-energize : 3-13 ms

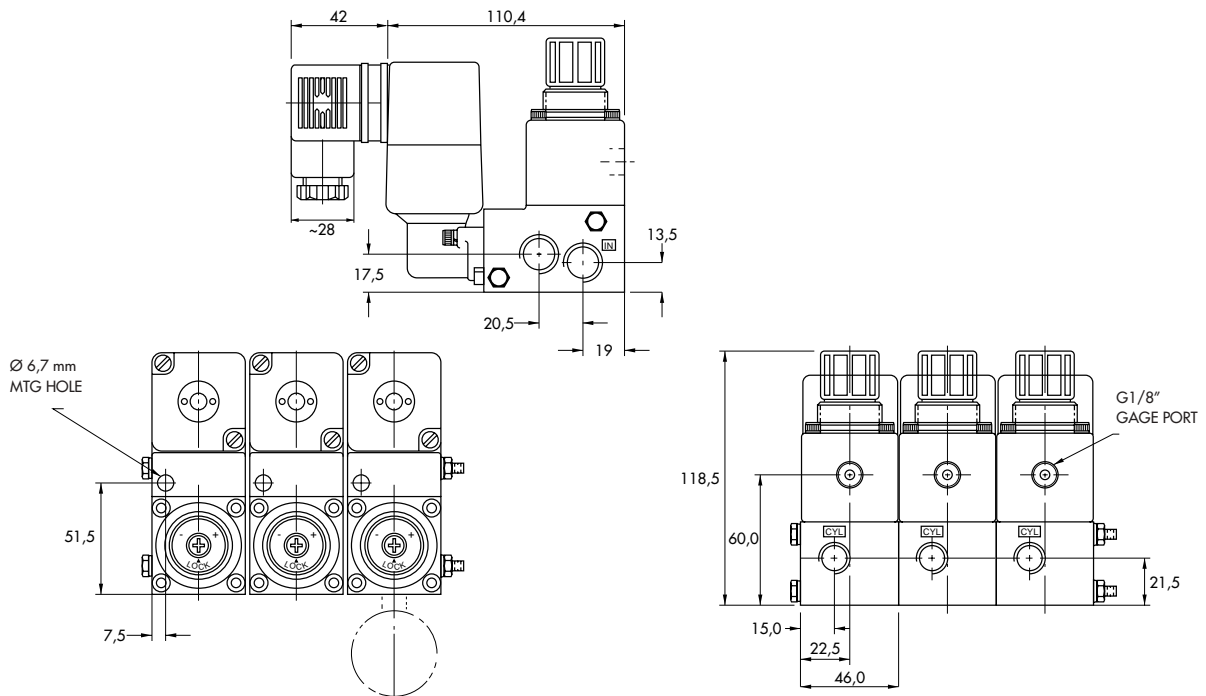
Spare parts :

- Solenoid operator (power ≥ 6 W) : D4-XXYZZ, including mounting screws 32222 and seal B5-6001.
- Function plate : A2-7005. • Seal between bases (x2) : 17016-01. • Tie-rod (x2) : B4-9004. • Pressure regulator : PR82A-J0AA.

Options :

- NPTF threads. • Explosion-proof model. • Isolation of inlet and/or exhaust.

DIMENSIONS





Codification table for voltages / Manual operator / Electrical connection / Wire length

VALVE CODE >

-XX Y ZZ (-VV)
1 2 3 4

OPTIONS AVAILABLE FOR	OPTIONS AVAILABLE FOR
- valves type 100 Series - pilot valves "CNOMO"	- valves type 200 Series
- Pilot operated valves with pilots type 100 Series Series : 55 - 56 - 700 - 800 - 900 - 6200 - 6300 - 6500 - 6600 - 1300 - ISO 1 - ISO 2 - ISO 3.	- pilot operated valves with pilots type 200 Series Series : 200 - 57 - 58 - 59.
- Pilot operated valves with pilots "CNOMO" Series : ISO1 - ISO2 - ISO3	

1. VOLTAGE (type 100 Series)		1. VOLTAGE (type 200 Series)	
- XX Y ZZ	VOLTAGE	- XX Y ZZ	VOLTAGE
11	120 V~/60 Hz - 110 V~/50 Hz	11	120 V~/60 Hz - 110 V~/50 Hz - 24 V=
12	240 V~/60 Hz - 220 V~/50 Hz	12	240 V~/60 Hz - 220 V~/50 Hz
13	100 V~/60 Hz - 100 V~/50 Hz	13	100 V~/60 Hz - 100 V~/50 Hz
15	200 V~/60 Hz - 200 V~/50 Hz	14	200 V~/60 Hz - 200 V~/50 Hz
16	10 V~/60 Hz	20	6 V~/60 Hz
20	6 V~/60 Hz	21	12 V~/60 Hz
21	12 V~/50 Hz - 12 V~/60 Hz	22	24 V~/60 Hz - 24 V~/50 Hz
22	24 V~/60 Hz - 24 V~/50 Hz	23	32 V~/60 Hz - 32 V~/50 Hz
23	32 V~/60 Hz - 32 V~/50 Hz	24	48 V~/60 Hz - 42 V~/50 Hz
24	48 V~/60 Hz - 42 V~/50 Hz	25	240 V~/50 Hz
26	380 V~/50 Hz, 440 V~/50 Hz -440 V~/60 Hz, 480 V~/60 Hz-CLSF	26	480 V~/60 Hz - 440 V~/50 Hz
29	200 V~/60 Hz	27	127 V~/60 Hz
34	127 V~/50 Hz - 120 V~/50 Hz	28	415 V~/50 Hz
35	48 V~/50 Hz	29	200 V~/60 Hz
36	16 V~/60 Hz	30	380 V~/50 Hz
B1	24 V~/50 Hz	31	550 V~/60 Hz - 550 V~/50 Hz
50	24 V=/6 W	32	120 V~/60 Hz - 110 V~/50 Hz
51	24 V=/4 W	33	600 V~/60 Hz
54	12 V=/4 W	34	127 V~/50 Hz
55	12 V=/6 W	35	48 V~/50 Hz
57	12 V=/2,5 W	50	24 V=/6 W
59	24 V=/2,5 W	51	24 V=/4,5 W
60	12 V=/8,5 W	52	24 V=/2,5 W
61	24 V=/8,5 W	53	24 V=/1 W
64	6 V=/6 W	55	12 V=/6 W
65	32 V=/7 W	57	12 V=/2,5 W
66	48 V=/5,8 W	58	48 V=/2,5 W
67	64 V=/7,5 W	60	12 V=/9,5 W
68	120 V=/6,4 W	61	24 V=/8,5 W
69	220 V=/8,7 W - 250 V=/11,2 W CLSF	64	6 V=/8,5 W
75	90 V=/8,8 W CLSF	65	32 V=/10 W
76	100 V=/6,9 W CLSF	66	48 V=/11,5 W
84	125 V=/10,9 W CLSF	67	64 V=/10,5 W
87	24 V=/17,1 W CLSF	68	120 V=/12,3 W
88	12 V=/17,4 W CLSF	69	250 V=/9,2 W
89	36 V=/18,8 W CLSF	71	8 V=/8,2 W
90	28 V=/8,2 W	72	24 V=/12 W
91	6 V=/10,6 W CLSF	73	198 V=/10 W
92	190 V=/6,5 W	74	72 V=/11,3 W
94	3 V=/7 W	75	90 V=/11,3 W
95	38 V=/6,4 W	76	100 V=/9 W
A1	24 V=/1 W	77	220 V=/10 W - 230 V=/1,6 W
A2	12 V=/1 W	78	24 V=/24 W CLSF
A3	9 V=/1 W	80	55 V=/10,6 W CLSF
MOD. DD01 : Protection diode (DC)		82	179 V=/11,1 W
MOD. MOV1 : Protection varistor (AC)		83	15 V=/8,1 W
MOD. DD01 : max. 8,5 W		84	125 V=/10 W
MOD. MOV1 : max. 8,5 W		86	36 V=/11 W
		93	12 V=/24 W CLSF

2. MANUAL OPERATOR (Common options for 100 & 200 Series)

- XX Y ZZ	MANUAL OPERATOR
0	No operator
1	Non-locking recessed
2	Locking recessed
3	Non-locking extended
4	Locking extended

3. ELECTRICAL CONNECTION (type 100 Series)

- XX Y ZZ	ELECTRICAL CONNECTION
AA	Wiring box with 1/2" NPS conduit
BA	Flying leads
CA	1/2" NPS conduit
CC	1/2" NPS conduit
FA	Military type 2 PIN
GA	Military type 3 PIN
HA	AA with ground wire
JA*	Square connector
JB	Rectangular connector
JC*	Square connector with light
JD	Rectangular connector with light
JE	Square connector on top (ISO2, ISO3)
JF	Rectangular connector on top (ISO1, ISO2, ISO3)
JG	JE with light
JH	JF with light
JJ	Square connector, male only
JM	Rectangular connector, male only
MA	Electrical common conduit
MB	Electrical common conduit
NA	CA with ground wire
NC	CC with ground wire
RA	3/8" NPS conduit
AD	Wiring box 20 mm
AH	Wiring box PG 13,5 with ground wire
CD	20 mm conduit
CG	PG 11 conduit
HH	Wiring box PG 13,5 with ground wire
ND	20 mm conduit with ground wire
NG	PG11 conduit with ground wire
HD	20 mm wiring box with ground wire

3. ELECTRICAL CONNECTION (type 200 Series)

- XX Y ZZ	ELECTRICAL CONNECTION
AA	Wiring box with 1/2" NPS conduit
BA	Flying leads
CA	1/2" NPS conduit
CC	1/2" NPS conduit
EA	Explosion proof (200 Series)
EA	Explosion proof (57, 58 & 59 Series)
EE	Explosion proof (CENELEC)
EN	Explosion proof with ground wire
FA	Military type 2 PIN
GA	Military type 3 PIN
HA	AA with ground wire
JA*	Square connector
JC	Square connector with light
JJ	Square connector, male only
NA	CA with ground wire
NC	CC with ground wire
AD	Wiring box 20 mm
AK	PG 16 wiring box
CD	20 mm conduit
CK	PG 16 conduit
HD	20 mm wiring box with ground wire
HK	PG16 wiring box with ground wire
ND	20 mm conduit with ground wire
NK	PG16 wiring box with ground wire

* Not to be used with 100, 800 and 900 Series manifold mounting

4. WIRE LENGTH (Common options for 100 & 200 Series)

- XX Y ZZ (-VV)	WIRE LENGTH
AA	45 cm - 18"
AB	60 cm - 24"
AD	90 cm - 36"
AE	120 cm - 48"
AF	180 cm - 72"
AG	15 cm - 6"
AR	30 cm - 12"
AU	305 cm - 120"
BA	152 cm - 60"
BB	366 cm - 144"

Series 6000 : wire length, delivered with the base

MOD L024	60 cm - 24"
MOD L036	91 cm - 36"
MOD L048	122 cm - 48"
MOD L060	152 cm - 60"
MOD L072	180 cm - 72"
MOD L120	305 cm - 120"

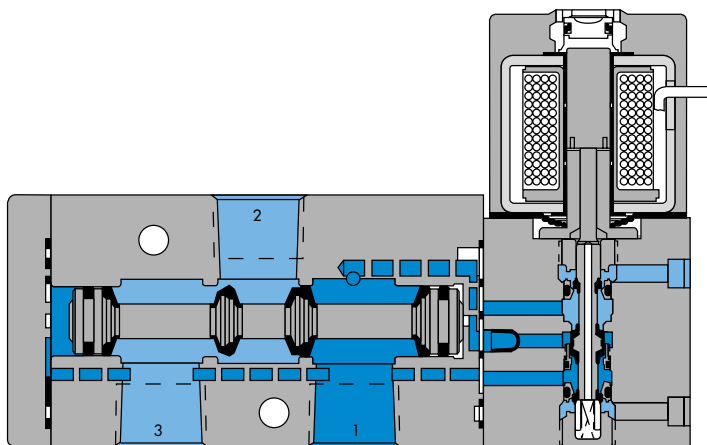
Individual mounting

inline

Circuit bar mounting

cylinder ports
in base

cylinder ports
in valve



Function	Port size	Flow [Max]	Individual mounting
3/2 NO-NC	G1/8" - G1/4"	1 500 NI/min	inline

OPERATIONAL BENEFITS

1. The 4-way pilot develops maximum shifting forces both ways.
2. Memory spring available.
3. Balanced spool, immune to variations of pressure, also provides high flow.
4. Short stroke with high flow.
5. Bonded spool with minimum friction, shifting in a glass-like finished bore.
6. Pilot with balanced poppet, high flow, short and consistent response times.
7. Wiping effect eliminates sticking.
8. Long service life.


HOW TO ORDER
 Reset

52A-xx-xxx-DM-Dxxx-xxx

Port size	Pilot air	Single operator		Double operator	
		NO valve	NC valve	NO valve	NC valve
G1/8"	Internal	<input type="radio"/> 52A-31-COA-DM-Dxxx-xxx	<input type="radio"/> 52A-11-COA-DM-Dxxx-xxx	<input type="radio"/> 52A-41-COA-DM-Dxxx-xxx	<input type="radio"/> 52A-21-COA-DM-Dxxx-xxx
G1/4"	Internal	<input type="radio"/> 52A-31-DOA-DM-Dxxx-xxx	<input type="radio"/> 52A-11-DOA-DM-Dxxx-xxx	<input type="radio"/> 52A-41-DOA-DM-Dxxx-xxx	<input type="radio"/> 52A-21-DOA-DM-Dxxx-xxx
G1/8"	External	<input type="radio"/> 52A-31-COB-DM-Dxxx-xxx	<input type="radio"/> 52A-11-COB-DM-Dxxx-xxx	<input type="radio"/> 52A-41-COB-DM-Dxxx-xxx	<input type="radio"/> 52A-21-COB-DM-Dxxx-xxx
G1/4"	External	<input type="radio"/> 52A-31-DOB-DM-Dxxx-xxx	<input type="radio"/> 52A-11-DOB-DM-Dxxx-xxx	<input type="radio"/> 52A-41-DOB-DM-Dxxx-xxx	<input type="radio"/> 52A-21-DOB-DM-Dxxx-xxx

SOLENOID OPERATOR >
DM-D XX X - X XX'

XX	Voltage	X	Wire length	X	Manual operator	XX	Electrical connection
<input type="radio"/> JA	110V~/50Hz	<input type="radio"/> A	45 cm (Flying leads)	<input type="radio"/> 1	Non-locking	<input type="radio"/> KA	Square connector
<input type="radio"/> JB	220V~/50Hz	<input type="radio"/> J	Connector	<input type="radio"/> 2	Locking	<input type="radio"/> KD	Square connector with light
<input type="radio"/> JC	24V~/50Hz	<input type="radio"/> x	Other Options	<input type="radio"/> x	Other Options	<input type="radio"/> JB	Rectangular connector
<input type="radio"/> DA	24V=/5,4W					<input type="radio"/> JD	Rectangular connector with light
<input type="radio"/> FB	24V=/1,8W					<input type="radio"/> BA	Flying leads
<input type="radio"/> DF	24V=/12,7W					<input type="radio"/> xx	Other Options
<input type="radio"/> xx	Other Options						

OPTIONS
 52A-31-COA-DM-Dxxx-xxx

 click for memory spring (replace by 4).

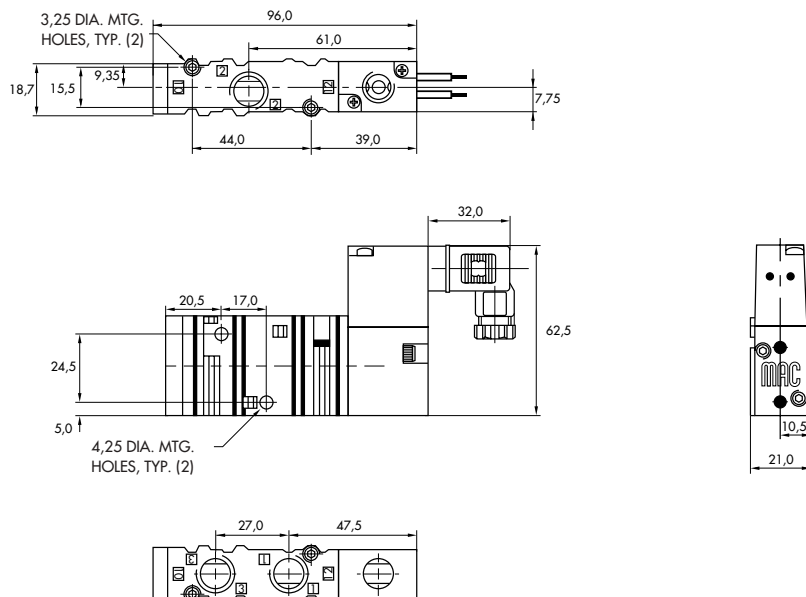
**TECHNICAL
DATA**

Fluid :	Compressed air, vacuum, inert gases
Pressure range :	Internal pilot : 1.4 to 8.5 bar External pilot : vacuum to 8.5 bar
Pilot pressure :	1.4 to 8.5 bar
Lubrication :	Not required, if used select a medium aniline point lubricant (between 80°C and 100°C)
Filtration :	40 µ
Temperature range :	-18°C to +50°C
Orifice :	7.3 mm
Flow (at 6 bar, ΔP=1 bar) :	1500 Nl/min (C _v 1.5)
Leak rate :	50 cm ³ /min
Coil :	Epoxy encapsulated - class A wires - 100% ED (specify mod 0449)
Voltage range :	-15% to +10% of nominal voltage
Protection :	IP 65
Power :	~ Inrush : 10.9 VA Holding : 7.7 VA = 1.8 to 12.7 W
Response times :	24 V=5.4 W Energize : 7.3 ms De-energize : 5.3ms 50Hz/6 W Energize : 8-12 ms De-energize : 7-11 ms

Spare parts : • Pilot valve : DM-DXXX-XXX, including mounting screws 35043 and seal 16524.

Options : • NPTF threads.

DIMENSIONS



Function	Port size	Flow [Max]	Individual mounting
3/2 NO-NC	G1/8" - G1/4"	1200 NI/min	cylinder ports in base

OPERATIONAL BENEFITS

1. The 4-way pilot develops maximum shifting forces both ways.
2. Memory spring available.
3. Balanced spool, immune to variations of pressure, also provides high flow.
4. Short stroke with high flow.
5. Bonded spool with minimum friction, shifting in a glass-like finished bore.
6. Pilot with balanced poppet, high flow, short and consistent response times.
7. Wiping effect eliminates sticking.
8. Long service life.


HOW TO ORDER
Reset
52A-xx-xxx-DM-Dxxx-xxx
HOW TO ORDER VALVE FOR CIRCUIT BAR MOUNTING

Pilot air	Single operator		Double operator	
	NO valve	NC valve	NO valve	NC valve
Internal	52A-33-OOA-DM-Dxxx-xxx	52A-13-OOA-DM-Dxxx-xxx	52A-43-OOA-DM-Dxxx-xxx	52A-23-OOA-DM-Dxxx-xxx
External	52A-33-OOC-DM-Dxxx-xxx	52A-13-OOC-DM-Dxxx-xxx	52A-43-OOC-DM-Dxxx-xxx	52A-23-OOC-DM-Dxxx-xxx

SOLENOID OPERATOR >
DM-D XX X - X XX*

<u>XX</u>	Voltage	<u>X</u>	Wire length	<u>X</u>	Manual operator	<u>XX</u>	Electrical connection
<input type="radio"/> JA	110V~/50Hz	<input type="radio"/> A	45 cm (Flying leads)	<input type="radio"/> 1	Non-locking	<input type="radio"/> KA	Square connector
<input type="radio"/> JB	220V~/50Hz	<input type="radio"/> J	Connector	<input type="radio"/> 2	Locking	<input type="radio"/> KD	Square connector with light
<input type="radio"/> JC	24V~/50Hz	<input type="radio"/> x	Other Options	<input type="radio"/> x	Other Options	<input type="radio"/> JB	Rectangular connector
<input type="radio"/> DA	24V=/5,4W					<input type="radio"/> JD	Rectangular connector with light
<input type="radio"/> FB	24V=/1,8W					<input type="radio"/> BA	Flying leads
<input type="radio"/> DF	24V=/12,7W					<input type="radio"/> xx	Other Options
<input type="radio"/> xx	Other Options						

CBP052A-xxxxx-xx
HOW TO ORDER CIRCUIT BAR **

Port size	Pilot air	Spacing standard 19,5 mm	Spacing 26 mm (Rectangular connector)
G1/8"	Internal	<input type="radio"/> CBP052A-00AAB-xx	<input type="radio"/> CBP052A-02AAB-xx
G1/4"		<input type="radio"/> CBP052A-00AAE-xx	<input type="radio"/> CBP052A-02AAE-xx
G1/8"	External	<input type="radio"/> CBP052A-00EAB-xx	<input type="radio"/> CBP052A-02EAB-xx
G1/4"		<input type="radio"/> CBP052A-00EAE-xx	<input type="radio"/> CBP052A-02EAE-xx

** Other options available. Consult factory.

Number of stations (03=3 stations)

OPTIONS
[52A-33-OOA-DM-Dxxx-xxx](#)
 click for memory spring (replace by 6).

TECHNICAL DATA

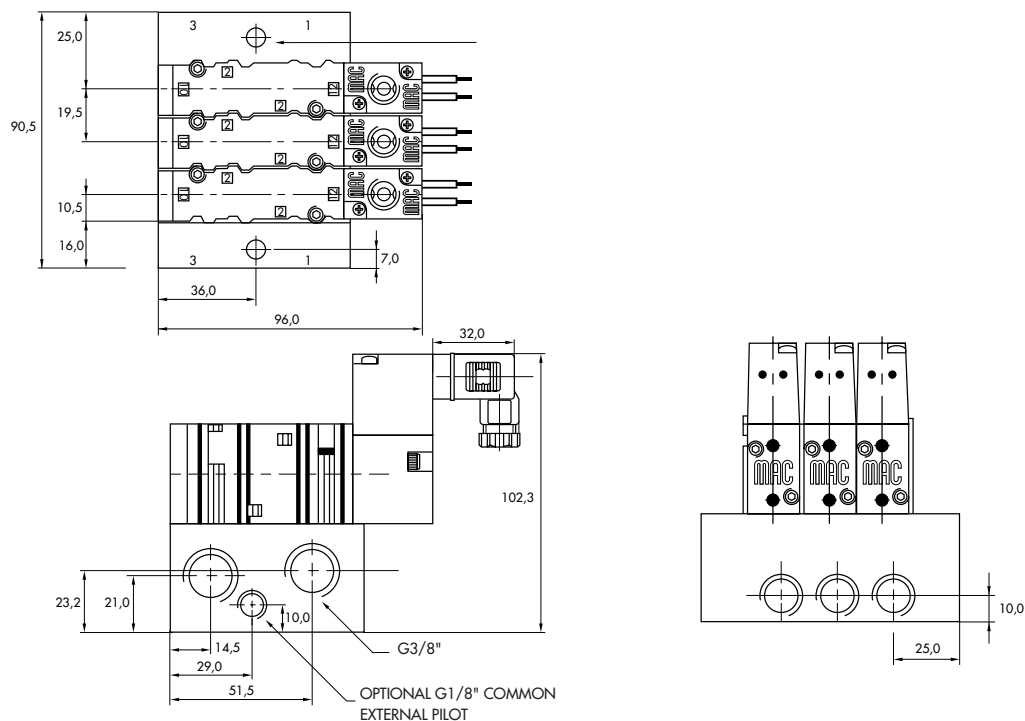
Fluid :	Compressed air, vacuum, inert gases
Pressure range :	Internal pilot : 1.4 to 8.5 bar External pilot : vacuum to 8.5 bar
Pilot pressure :	1.4 to 8.5 bar
Lubrication :	Not required, if used select a medium aniline point lubricant (between 80°C and 100°C)
Filtration :	40 µ
Temperature range :	- 18 °C to + 50 °C
Orifice :	7.3 mm
Flow (at 6 bar, ΔP=1 bar) :	1200 Nl/min (C _v 1,2)
Leak rate :	50 cm ³ /min
Coil :	Epoxy encapsulated - class A wires - 100% ED (specify mod 0449)
Voltage range :	-15% to +10% of nominal voltage
Protection :	IP 65
Power :	~ Inrush : 10.9 VA Holding : 7.7 VA = 1.8 to 12.7 W
Response times :	24 V=/5.4 W Energize : 7.3 ms De-energize : 5.3ms 50Hz/6 W Energize : 8-12 ms De-energize : 7-11 ms

Spare parts : • Pilot valve : DM-DXXX-XXX, including mounting screws 35043 and seal 16524.

Accessories : • Blanking plate : M-52003. • Seal (x3) : 17013-01. • Mounting screw (x2) : 35043.

Options : • NPTF threads. • Isolation of inlet and/or exhaust.

DIMENSIONS



Function	Port size	Flow [Max]	Circuit bar mounting
3/2 NO-NC	G1/8" - G1/4"	1 500 NI/min	cylinder ports in valve

OPERATIONAL BENEFITS

1. The 4-way pilot develops maximum shifting forces both ways.
2. Memory spring available.
3. Balanced spool, immune to variations of pressure, also provides high flow.
4. Short stroke with high flow.
5. Bonded spool with minimum friction, shifting in a glass-like finished bore.
6. Pilot with balanced poppet, high flow, short and consistent response times.
7. Wiping effect eliminates sticking.
8. Long service life.



HOW TO ORDER

Reset

52A-xx-xxx-DM-Dxxx-xxx

SOLENOID OPERATOR

Port size	Pilot air	Single operator		Double operator	
		NO valve	NC valve	NO valve	NC valve
G1/8"	Internal	52A-31-COA-DM-Dxxx-xxx	52A-11-COA-DM-Dxxx-xxx	52A-41-COA-DM-Dxxx-xxx	52A-21-COA-DM-Dxxx-xxx
G1/4"	Internal	52A-31-DOA-DM-Dxxx-xxx	52A-11-DOA-DM-Dxxx-xxx	52A-41-DOA-DM-Dxxx-xxx	52A-21-DOA-DM-Dxxx-xxx
G1/8"	External	52A-31-COC-DM-Dxxx-xxx	52A-11-COC-DM-Dxxx-xxx	52A-41-COC-DM-Dxxx-xxx	52A-21-COC-DM-Dxxx-xxx
G1/4"	External	52A-31-DOC-DM-Dxxx-xxx	52A-11-DOC-DM-Dxxx-xxx	52A-41-DOC-DM-Dxxx-xxx	52A-21-DOC-DM-Dxxx-xxx

SOLENOID OPERATOR >

DM-D XX X - X XX'

XX	Voltage	X	Wire length	X	Manual operator	XX	Electrical connection
<input type="radio"/> JA	110V~/50Hz	<input type="radio"/> A	45 cm (Flying leads)	<input type="radio"/> 1	Non-locking	<input type="radio"/> KA	Square connector
<input type="radio"/> JB	220V~/50Hz	<input type="radio"/> J	Connector	<input type="radio"/> 2	Locking	<input type="radio"/> KD	Square connector with light
<input type="radio"/> JC	24V~/50Hz	<input type="radio"/> x	Other Options	<input type="radio"/> x	Other Options	<input type="radio"/> JB	Rectangular connector
<input type="radio"/> DA	24V=/5,4W					<input type="radio"/> JD	Rectangular connector with light
<input type="radio"/> FB	24V=/1,8W					<input type="radio"/> BA	Flying leads
<input type="radio"/> DF	24V=/12,7W					<input type="radio"/> xx	Other Options
<input type="radio"/> xx	Other Options						

CBM052A-xxxxx-xx

HOW TO ORDER CIRCUIT BAR **

Port size	Pilot air	Spacing standard 19,5 mm	Spacing 26 mm (Rectangular connector)
G3/8"	Internal	<input type="radio"/> CBM052A-00AAB-xx	<input type="radio"/> CBM052A-02AAB-xx
	External	<input type="radio"/> CBM052A-00CAB-xx	<input type="radio"/> CBM052A-02CAB-xx

** Other options available. Consult factory.

Number of stations (03=3 stations)

OPTIONS

[52A-31-COA-DM-Dxxx-xxx](#)

click for memory spring (replace by 4).

**TECHNICAL
DATA**

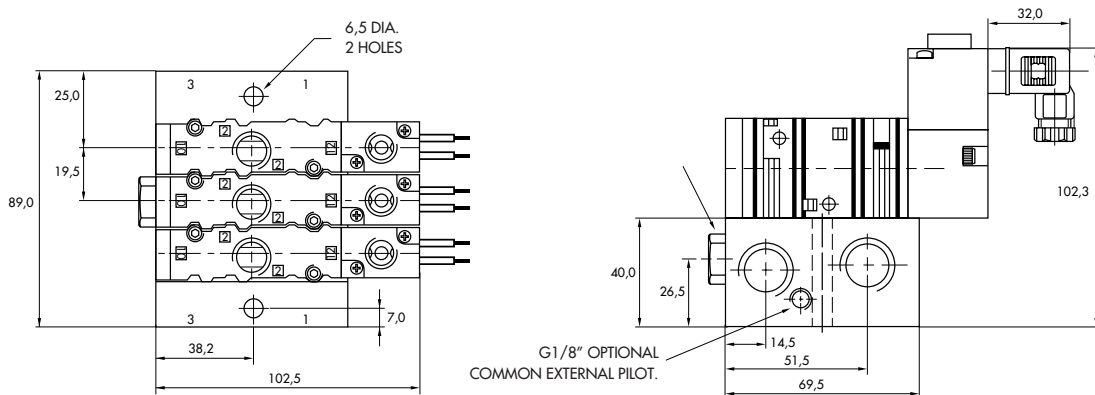
Fluid :	Compressed air, vacuum, inert gases
Pressure range :	Internal pilot : 1.4 to 8.5 bar External pilot : vacuum to 8.5 bar
Pilot pressure :	1.4 to 8.5 bar
Lubrication :	Not required, if used select a medium aniline point lubricant (between 80°C and 100°C)
Filtration :	40 µ
Temperature range :	-18°C to +50°C
Orifice :	7.3 mm
Flow (at 6 bar, ΔP=1 bar) :	1500 Nl/min (C _v 1.5)
Leak rate :	50 cm ³ /min
Coil :	Epoxy encapsulated - class A wires - 100% ED (specify mod 0449)
Voltage range :	-15% to +10% of nominal voltage
Protection :	IP 65
Power :	~ Inrush : 10.9 VA Holding : 7.7 VA = 1.8 to 12.7 W
Response times :	24 V=/5.4 W Energize : 7.3 ms De-energize : 5.3ms 50Hz/6 W Energize : 8-12 ms De-energize : 7-11 ms

Spare parts : • Pilot valve : DM-DXXX-XXX, including mounting screws 35043 and seal 16524.

Accessories : • Blanking plate :M-04001. • Seal (x3) : 17015-01. • Mounting screw (x2) : 35043.

Options : • NPTF threads. • Isolation of inlet and/or exhaust.

DIMENSIONS





0 p t i o n s

Codification table for voltages / Wire length / Manual operator / Electrical connection

VALVE CODE >

DM- DXX X - X XX
1 2 3 4

OPTIONS AVAILABLE FOR

- pilot operated valves 400 & 52 Series

1. VOLTAGE

- D XX X - X XX	VOLTAGE
DA	24 V=/5,4 W
DB	12 V=/5,4 W
DC	12 V=/7,5 W
DD	24 V=/7,3 W
DE	12 V=/12,7 W
DF	24 V=/12,7 W
DK	110 V=/4,7 W
DJ	28 V=/5,2 W
DL	64 V=/6 W
DM	36 V=/5,3 W
DN	6 V=/6 W
DR	90 V=/6,6 W
DS	110 V=/7,3 W
DT	75 V=/5,6 W
DP	48 V=/5,8 W
FA	12 V=/1,8 W
FB	24 V=/1,8 W
FE	12 V=/2,4 W
FF	24 V=/2,4 W
JA	120V~/60 Hz, 110V~/50 Hz (2,9 W)
JB	240 V~/60 Hz, 220V~/50 Hz (2,9 W)
JC	24 V~/60 Hz, 24V~/50 Hz (3,7 W)
JD	100 V~/60 Hz, 100V~/50 Hz, 110V~/60 Hz (3,9 W)

2. WIRE LENGTH

- D XX X - X XX	WIRE LENGTH
A	45 cm - 18"
B	60 cm - 24"
C	90 cm - 36"
D	120 cm - 48"
E	180 cm - 72"
F	240 cm - 96"
J	For external plug-in connector

3. MANUAL OPERATOR

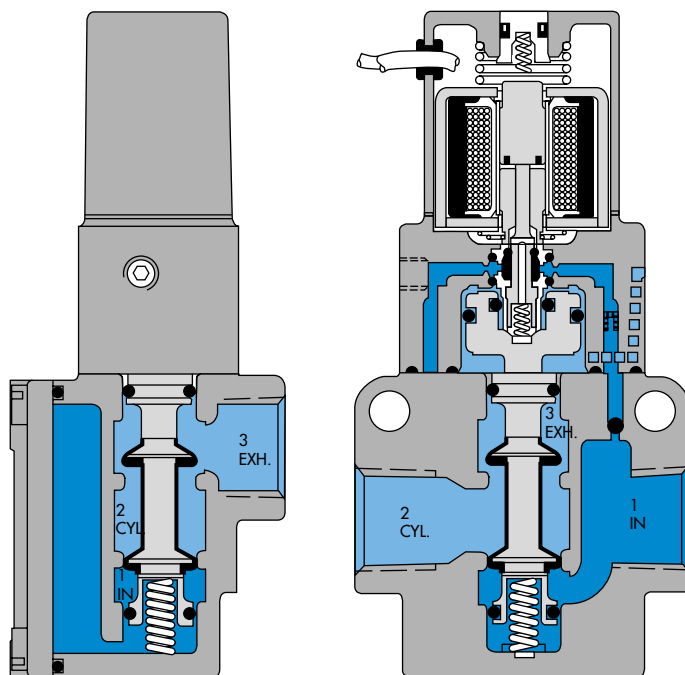
- D XX X - X XX	MANUAL OPERATOR
<input type="radio"/> 0	No operator
<input type="radio"/> 1	Non-locking recessed
<input type="radio"/> 2	Locking recessed
<input type="radio"/> 3	Non-locking extended
<input type="radio"/> 4	Locking extended

4. ELECTRICAL CONNECTION

- D XX X - X XX	ELECTRICAL CONNECTION
BA	Flying leads
BK	BA with protection diode
BL	BA with protection varistor
CA	1/2" NPS conduit
JB	Rectangular connector
JD	Rectangular connector with light
JM	Rectangular connector, male only
KA	Square connector
KB	Square connector with protection diode
KC	Square connector with protection varistor
KD	Square connector with light
KE	Square connector with light and protection diode
KF	Square connector with light and protection varistor
KJ	Square connector (male only)
KK	Square connector with protection diode (male only)
KL	Square connector with protection varistor (male only)
TA	Dual tabs
TB	TA with protection diode
TD	TA with light
TE	TA with light and protection diode
TJ	Dual tabs (male only)
TK	TJ with protection diode
TM	TJ with light
TN	TJ with light and protection diode

Individual mounting

inline



Function	Port size	Flow [Max]	Individual mounting
3/2 NO-NC, 2/2 NO-NC	G1/4" - G3/8"	2200 NI/min	inline

OPERATIONAL BENEFITS

- Balanced spool, immune to variations of pressure.
- Short stroke with high flow.
- The piston (booster) provides maximum shifting forces.
- Checked accumulator guarantees maximum pilot pressure.
- Powerful return force thanks to the combination of mechanical and air springs.
- Bonded spool with minimum friction, shifting in a glass-like finished bore.
- Wiping effect eliminates sticking.
- Pilot valve with balanced poppet, high flow, short and consistent response times.


HOW TO ORDER

Reset

55B-xx-xx-xyzz

Port size	Pilot air	NC valve	NO valve
G1/4"	Internal	<input type="radio"/> 55B-13-PI- xyzz	<input type="radio"/> 55B-23-PI- xyzz
G3/8"	Internal	<input type="radio"/> 55B-14-PI- xyzz	<input type="radio"/> 55B-24-PI- xyzz
G1/4"	External	<input type="radio"/> 55B-13-PE- xyzz	<input type="radio"/> 55B-23-PE- xyzz
G3/8"	External	<input type="radio"/> 55B-14-PE- xyzz	<input type="radio"/> 55B-24-PE- xyzz

SOLENOID OPERATOR >
XX Y ZZ*

XX Voltage	Y Manual operator	ZZ Electrical connection
<input type="radio"/> 11 110V~/50Hz	<input type="radio"/> 1 Non-locking	<input type="radio"/> JB Rectangular connector
<input type="radio"/> 12 220V~/50Hz	<input type="radio"/> 2 Locking	<input type="radio"/> JD Rectangular connector with light
<input type="radio"/> 22 24V~/50Hz	<input type="radio"/> y Other Options	<input type="radio"/> JA Square connector
<input type="radio"/> 59 24V=/2,5W		<input type="radio"/> JC Square connector with light
<input type="radio"/> 87 24V=/17,1W		<input type="radio"/> BA Flying leads (45 cm)
<input type="radio"/> 61 24V=/8,5W		<input type="radio"/> zz Other Options
<input type="radio"/> xx Other Options		

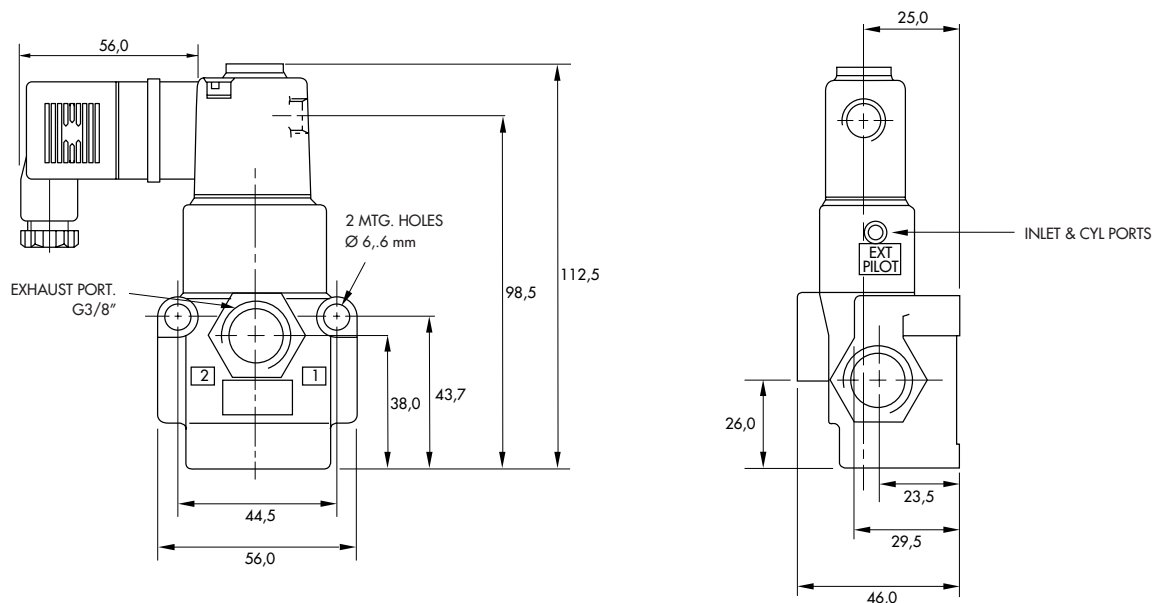
**TECHNICAL
DATA**

Fluid :	Compressed air, vacuum, inert gases
Pressure range :	Internal pilot : 1.8 to 10 bar External pilot : vacuum to 10 bar
Pilot pressure :	1.8 to 10 bar
Lubrication :	Not required, if used select a medium aniline point lubricant (between 80°C and 100°C)
Filtration :	40 µ
Temperature range :	-18°C to +50°C
Orifice :	8 mm
Flow (at 6 bar, ΔP=1 bar) :	G 1/4" : 1400 NI/min (C _v 1.4) - G 3/8" : 1600 NI/min (C _v 1.6)
Leak rate :	50 cm ³ /min
Coil :	Epoxy encapsulated - class A wires - 100% ED (specify mod 0449)
Voltage range :	-15% to +10% of nominal voltage
Protection :	IP 65
Power :	~ Inrush : 14.8 VA Holding : 10.9 VA = 1 to 17 W
Response times :	24 V=8.5 W Energize : 9 ms De-energize : 4.8 ms 50Hz/6 W Energize : 5-11 ms De-energize : 5-11 ms

Spare parts : • Solenoid operator (power ≥ 4 W) : D1-XXYZZ1, including mounting screws 35206 and seal 16234.
 • Pilot valve : PID-XXYZZ, including mounting screws 35214 and seal 16363. • Check valve : 70061.

Options : • NPTF threads.

DIMENSIONS





Codification table for voltages / Manual operator / Electrical connection / Wire length

VALVE CODE >

-XX Y ZZ (-VV)
1 2 3 4

OPTIONS AVAILABLE FOR	OPTIONS AVAILABLE FOR
- valves type 100 Series - pilot valves "CNOMO"	- valves type 200 Series
- Pilot operated valves with pilots type 100 Series Series : 55 - 56 - 700 - 800 - 900 - 6200 - 6300 - 6500 - 6600 - 1300 - ISO 1 - ISO 2 - ISO 3.	- pilot operated valves with pilots type 200 Series Series : 200 - 57 - 58 - 59.
- Pilot operated valves with pilots "CNOMO" Series : ISO1 - ISO2 - ISO3	

1. VOLTAGE (type 100 Series)		1. VOLTAGE (type 200 Series)	
- XX Y ZZ	VOLTAGE	- XX Y ZZ	VOLTAGE
11	120 V~/60 Hz - 110 V~/50 Hz	11	120 V~/60 Hz - 110 V~/50 Hz - 24 V=
12	240 V~/60 Hz - 220 V~/50 Hz	12	240 V~/60 Hz - 220 V~/50 Hz
13	100 V~/60 Hz - 100 V~/50 Hz	13	100 V~/60 Hz - 100 V~/50 Hz
15	200 V~/60 Hz - 200 V~/50 Hz	14	200 V~/60 Hz - 200 V~/50 Hz
16	10 V~/60 Hz	20	6 V~/60 Hz
20	6 V~/60 Hz	21	12 V~/60 Hz
21	12 V~/50 Hz - 12 V~/60 Hz	22	24 V~/60 Hz - 24 V~/50 Hz
22	24 V~/60 Hz - 24 V~/50 Hz	23	32 V~/60 Hz - 32 V~/50 Hz
23	32 V~/60 Hz - 32 V~/50 Hz	24	48 V~/60 Hz - 42 V~/50 Hz
24	48 V~/60 Hz - 42 V~/50 Hz	25	240 V~/50 Hz
26	380 V~/50 Hz, 440 V~/50 Hz -440 V~/60 Hz, 480 V~/60 Hz-CLSF	26	480 V~/60 Hz - 440 V~/50 Hz
29	200 V~/60 Hz	27	127 V~/60 Hz
34	127 V~/50 Hz - 120 V~/50 Hz	28	415 V~/50 Hz
35	48 V~/50 Hz	29	200 V~/60 Hz
36	16 V~/60 Hz	30	380 V~/50 Hz
B1	24 V~/50 Hz	31	550 V~/60 Hz - 550 V~/50 Hz
50	24 V=/6 W	32	120 V~/60 Hz - 110 V~/50 Hz
51	24 V=/4 W	33	600 V~/60 Hz
54	12 V=/4 W	34	127 V~/50 Hz
55	12 V=/6 W	35	48 V~/50 Hz
57	12 V=/2,5 W	50	24 V=/6 W
59	24 V=/2,5 W	51	24 V=/4,5 W
60	12 V=/8,5 W	52	24 V=/2,5 W
61	24 V=/8,5 W	53	24 V=/1 W
64	6 V=/6 W	55	12 V=/6 W
65	32 V=/7 W	57	12 V=/2,5 W
66	48 V=/5,8 W	58	48 V=/2,5 W
67	64 V=/7,5 W	60	12 V=/9,5 W
68	120 V=/6,4 W	61	24 V=/8,5 W
69	220 V=/8,7 W - 250 V=/11,2 W CLSF	64	6 V=/8,5 W
75	90 V=/8,8 W CLSF	65	32 V=/10 W
76	100 V=/6,9 W CLSF	66	48 V=/11,5 W
84	125 V=/10,9 W CLSF	67	64 V=/10,5 W
87	24 V=/17,1 W CLSF	68	120 V=/12,3 W
88	12 V=/17,4 W CLSF	69	250 V=/9,2 W
89	36 V=/18,8 W CLSF	71	8 V=/8,2 W
90	28 V=/8,2 W	72	24 V=/12 W
91	6 V=/10,6 W CLSF	73	198 V=/10 W
92	190 V=/6,5 W	74	72 V=/11,3 W
94	3 V=/7 W	75	90 V=/11,3 W
95	38 V=/6,4 W	76	100 V=/9 W
A1	24 V=/1 W	77	220 V=/10 W - 230 V=/1,6 W
A2	12 V=/1 W	78	24 V=/24 W CLSF
A3	9 V=/1 W	80	55 V=/10,6 W CLSF
MOD. DD01 : Protection diode (DC)		82	179 V=/11,1 W
MOD. MOV1 : Protection varistor (AC)		83	15 V=/8,1 W
MOD. DD01 : max. 8,5 W		84	125 V=/10 W
MOD. MOV1 : max. 8,5 W		86	36 V=/11 W
		93	12 V=/24 W CLSF

2. MANUAL OPERATOR (Common options for 100 & 200 Series)

- XX Y ZZ	MANUAL OPERATOR
0	No operator
1	Non-locking recessed
2	Locking recessed
3	Non-locking extended
4	Locking extended

3. ELECTRICAL CONNECTION (type 100 Series)

- XX Y ZZ	ELECTRICAL CONNECTION
AA	Wiring box with 1/2" NPS conduit
BA	Flying leads
CA	1/2" NPS conduit
CC	1/2" NPS conduit
FA	Military type 2 PIN
GA	Military type 3 PIN
HA	AA with ground wire
JA*	Square connector
JB	Rectangular connector
JC*	Square connector with light
JD	Rectangular connector with light
JE	Square connector on top (ISO2, ISO3)
JF	Rectangular connector on top (ISO1, ISO2, ISO3)
JG	JE with light
JH	JF with light
JJ	Square connector, male only
JM	Rectangular connector, male only
MA	Electrical common conduit
MB	Electrical common conduit
NA	CA with ground wire
NC	CC with ground wire
RA	3/8" NPS conduit
AD	Wiring box 20 mm
AH	Wiring box PG 13,5 with ground wire
CD	20 mm conduit
CG	PG 11 conduit
HH	Wiring box PG 13,5 with ground wire
ND	20 mm conduit with ground wire
NG	PG11 conduit with ground wire
HD	20 mm wiring box with ground wire

* Not to be used with 100, 800 and 900 Series manifold mounting

3. ELECTRICAL CONNECTION (type 200 Series)

- XX Y ZZ	ELECTRICAL CONNECTION
AA	Wiring box with 1/2" NPS conduit
BA	Flying leads
CA	1/2" NPS conduit
CC	1/2" NPS conduit
EA	Explosion proof (200 Series)
EA	Explosion proof (57, 58 & 59 Series)
EE	Explosion proof (CENELEC)
EN	Explosion proof with ground wire
FA	Military type 2 PIN
GA	Military type 3 PIN
HA	AA with ground wire
JA*	Square connector
JC	Square connector with light
JJ	Square connector, male only
NA	CA with ground wire
NC	CC with ground wire
AD	Wiring box 20 mm
AK	PG 16 wiring box
CD	20 mm conduit
CK	PG 16 conduit
HD	20 mm wiring box with ground wire
HK	PG16 wiring box with ground wire
ND	20 mm conduit with ground wire
NK	PG16 wiring box with ground wire

4. WIRE LENGTH (Common options for 100 & 200 Series)

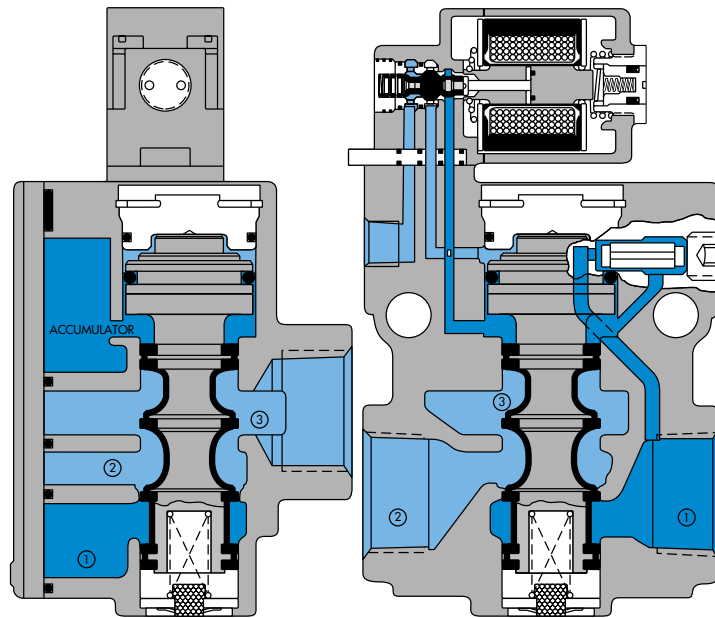
- XX Y ZZ (-VV)	WIRE LENGTH
AA	45 cm - 18"
AB	60 cm - 24"
AD	90 cm - 36"
AE	120 cm - 48"
AF	180 cm - 72"
AG	15 cm - 6"
AR	30 cm - 12"
AU	305 cm - 120"
BA	152 cm - 60"
BB	366 cm - 144"

Series 6000 : wire length, delivered with the base

MOD L024	60 cm - 24"
MOD L036	91 cm - 36"
MOD L048	122 cm - 48"
MOD L060	152 cm - 60"
MOD L072	180 cm - 72"
MOD L120	305 cm - 120"

Individual mounting

inline



Function	Port size	Flow [Max]	Individual mounting
3/2 NO-NC, 2/2 NO-NC	G3/8" - G1/2" - G3/4"	5700 NI/min	inline

OPERATIONAL BENEFITS

- Balanced spool, immune to variations of pressure.
- Short stroke with high flow.
- The piston (booster) provides maximum shifting forces.
- Checked accumulator guarantees maximum pilot pressure.
- Powerful return force thanks to the combination of mechanical and air springs.
- Bonded spool with minimum friction, shifting in a glass-like finished bore.
- Wiping effect eliminates sticking.
- Pilot valve with balanced poppet, high flow, short and consistent response times.


HOW TO ORDER

Reset

56C-xx-xyzz

Port size	Pilot air	NC only valve	NO only valve	
		NC pilot - NC spool	NO pilot - NC spool	NC pilot - NO spool
G3/8"	Internal	<input type="radio"/> 56C-15- xyzz	<input type="radio"/> 56C-25- xyzz	<input type="radio"/> 56C-65- xyzz
G1/2"		<input type="radio"/> 56C-16- xyzz	<input type="radio"/> 56C-26- xyzz	<input type="radio"/> 56C-66- xyzz
G3/4"		<input type="radio"/> 56C-18- xyzz	<input type="radio"/> 56C-28- xyzz	<input type="radio"/> 56C-68- xyzz
G3/8"	External	<input type="radio"/> 56C-35- xyzz	<input type="radio"/> 56C-45- xyzz	<input type="radio"/> 56C-75- xyzz
G1/2"		<input type="radio"/> 56C-36- xyzz	<input type="radio"/> 56C-46- xyzz	<input type="radio"/> 56C-76- xyzz
G3/4"		<input type="radio"/> 56C-38- xyzz	<input type="radio"/> 56C-48- xyzz	<input type="radio"/> 56C-78- xyzz

SOLENOID OPERATOR >
XX Y ZZ*

XX	Voltage	Y	Manual operator	ZZ	Electrical connection
<input type="radio"/> 11	110V~/50Hz	<input type="radio"/> 1	Non-locking	<input type="radio"/> JB	Rectangular connector
<input type="radio"/> 12	220V~/50Hz	<input type="radio"/> 2	Locking	<input type="radio"/> JD	Rectangular connector with light
<input type="radio"/> 22	24V~/50Hz	<input type="radio"/> y	Other Options	<input type="radio"/> JA	Square connector
<input type="radio"/> 59	24V=/2,5W			<input type="radio"/> JC	Square connector with light
<input type="radio"/> 87	24V=/17,1W			<input type="radio"/> BA	Flying leads (45 cm)
<input type="radio"/> 61	24V=/8,5W			<input type="radio"/> zz	Other Options
<input type="radio"/> xx	Other Options				

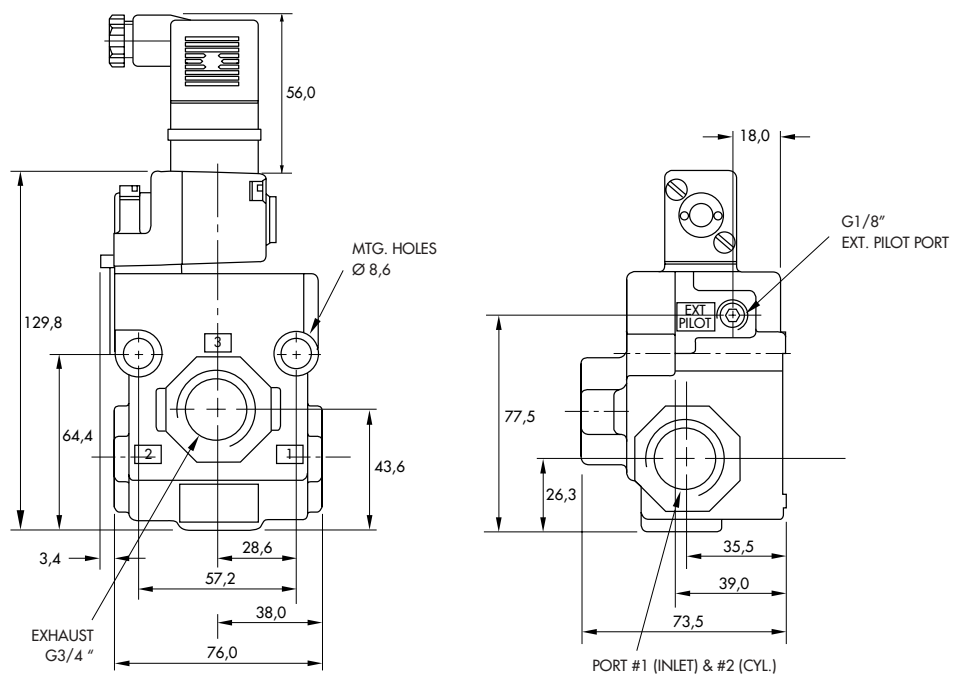
TECHNICAL
DATA

Fluid :	Compressed air, vacuum, inert gases
Pressure range :	Internal pilot : 1.7 to 10 bar External pilot : vacuum to 10 bar
Pilot pressure :	1.7 to 10 bar
Lubrication :	Not required, if used select a medium aniline point lubricant (between 80°C and 100°C)
Filtration :	40 µ
Temperature range :	-18°C to +50°C
Orifice :	16 mm
Flow (at 6 bar, ΔP=1bar) :	G 3/8" : 4400 NI/min (C _v 4.4) - G 1/2" : 5000 NI/min (C _v 5.0) - G 3/4" : 5400 NI/min (C _v 5.4)
Leak rate :	70 cm ³ /min
Coil :	Epoxy encapsulated - class A wires - 100% ED (specify mod 0449)
Voltage range :	-15% to +10% of nominal voltage
Protection :	IP 65
Power :	~ Inrush : 14.8 VA Holding : 10.9 VA = 1 to 17 W
Response times :	24 V=8.5 W Energize : 11 ms De-energize : 10,8ms 50Hz/6 W Energize : 7-12 ms De-energize : 9-14 ms

Spare parts :
 • Solenoid operator (power ≥ 4 W) : D1-XXYZZ, including mounting screws 32184 and seal 16234.
 • Pilot valve : 130B-XXYZZ, including function plate A2-7009. • Pilot mounting screws kit : N-56002.
 • Check valve : 70063.

Options :
 • NPTF threads.

DIMENSIONS





Codification table for voltages / Manual operator / Electrical connection / Wire length

VALVE CODE >

-XX Y ZZ (-VV)
1 2 3 4

OPTIONS AVAILABLE FOR	OPTIONS AVAILABLE FOR
- valves type 100 Series - pilot valves "CNOMO"	- valves type 200 Series
- Pilot operated valves with pilots type 100 Series Series : 55 - 56 - 700 - 800 - 900 - 6200 - 6300 - 6500 - 6600 - 1300 - ISO 1 - ISO 2 - ISO 3.	- pilot operated valves with pilots type 200 Series Series : 200 - 57 - 58 - 59.
- Pilot operated valves with pilots "CNOMO" Series : ISO1 - ISO2 - ISO3	

1. VOLTAGE (type 100 Series)		1. VOLTAGE (type 200 Series)	
- XX Y ZZ	VOLTAGE	- XX Y ZZ	VOLTAGE
11	120 V~/60 Hz - 110 V~/50 Hz	11	120 V~/60 Hz - 110 V~/50 Hz - 24 V=
12	240 V~/60 Hz - 220 V~/50 Hz	12	240 V~/60 Hz - 220 V~/50 Hz
13	100 V~/60 Hz - 100 V~/50 Hz	13	100 V~/60 Hz - 100 V~/50 Hz
15	200 V~/60 Hz - 200 V~/50 Hz	14	200 V~/60 Hz - 200 V~/50 Hz
16	10 V~/60 Hz	20	6 V~/60 Hz
20	6 V~/60 Hz	21	12 V~/60 Hz
21	12 V~/50 Hz - 12 V~/60 Hz	22	24 V~/60 Hz - 24 V~/50 Hz
22	24 V~/60 Hz - 24 V~/50 Hz	23	32 V~/60 Hz - 32 V~/50 Hz
23	32 V~/60 Hz - 32 V~/50 Hz	24	48 V~/60 Hz - 42 V~/50 Hz
24	48 V~/60 Hz - 42 V~/50 Hz	25	240 V~/50 Hz
26	380 V~/50 Hz, 440 V~/50 Hz -440 V~/60 Hz, 480 V~/60 Hz-CLSF	26	480 V~/60 Hz - 440 V~/50 Hz
29	200 V~/60 Hz	27	127 V~/60 Hz
34	127 V~/50 Hz - 120 V~/50 Hz	28	415 V~/50 Hz
35	48 V~/50 Hz	29	200 V~/60 Hz
36	16 V~/60 Hz	30	380 V~/50 Hz
B1	24 V~/50 Hz	31	550 V~/60 Hz - 550 V~/50 Hz
50	24 V=/6 W	32	120 V~/60 Hz - 110 V~/50 Hz
51	24 V=/4 W	33	600 V~/60 Hz
54	12 V=/4 W	34	127 V~/50 Hz
55	12 V=/6 W	35	48 V~/50 Hz
57	12 V=/2,5 W	50	24 V=/6 W
59	24 V=/2,5 W	51	24 V=/4,5 W
60	12 V=/8,5 W	52	24 V=/2,5 W
61	24 V=/8,5 W	53	24 V=/1 W
64	6 V=/6 W	55	12 V=/6 W
65	32 V=/7 W	57	12 V=/2,5 W
66	48 V=/5,8 W	58	48 V=/2,5 W
67	64 V=/7,5 W	60	12 V=/9,5 W
68	120 V=/6,4 W	61	24 V=/8,5 W
69	220 V=/8,7 W - 250 V=/11,2 W CLSF	64	6 V=/8,5 W
75	90 V=/8,8 W CLSF	65	32 V=/10 W
76	100 V=/6,9 W CLSF	66	48 V=/11,5 W
84	125 V=/10,9 W CLSF	67	64 V=/10,5 W
87	24 V=/17,1 W CLSF	68	120 V=/12,3 W
88	12 V=/17,4 W CLSF	69	250 V=/9,2 W
89	36 V=/18,8 W CLSF	71	8 V=/8,2 W
90	28 V=/8,2 W	72	24 V=/12 W
91	6 V=/10,6 W CLSF	73	198 V=/10 W
92	190 V=/6,5 W	74	72 V=/11,3 W
94	3 V=/7 W	75	90 V=/11,3 W
95	38 V=/6,4 W	76	100 V=/9 W
A1	24 V=/1 W	77	220 V=/10 W - 230 V=/1,6 W
A2	12 V=/1 W	78	24 V=/24 W CLSF
A3	9 V=/1 W	80	55 V=/10,6 W CLSF
MOD. DD01 : Protection diode (DC)		82	179 V=/11,1 W
MOD. MOV1 : Protection varistor (AC)		83	15 V=/8,1 W
MOD. DD01 : max. 8,5 W		84	125 V=/10 W
MOD. MOV1 : max. 8,5 W		86	36 V=/11 W
		93	12 V=/24 W CLSF

2. MANUAL OPERATOR (Common options for 100 & 200 Series)

- XX Y ZZ	MANUAL OPERATOR
0	No operator
1	Non-locking recessed
2	Locking recessed
3	Non-locking extended
4	Locking extended

3. ELECTRICAL CONNECTION (type 100 Series)

- XX Y ZZ	ELECTRICAL CONNECTION
AA	Wiring box with 1/2" NPS conduit
BA	Flying leads
CA	1/2" NPS conduit
CC	1/2" NPS conduit
FA	Military type 2 PIN
GA	Military type 3 PIN
HA	AA with ground wire
JA*	Square connector
JB	Rectangular connector
JC*	Square connector with light
JD	Rectangular connector with light
JE	Square connector on top (ISO2, ISO3)
JF	Rectangular connector on top (ISO1, ISO2, ISO3)
JG	JE with light
JH	JF with light
JJ	Square connector, male only
JM	Rectangular connector, male only
MA	Electrical common conduit
MB	Electrical common conduit
NA	CA with ground wire
NC	CC with ground wire
RA	3/8" NPS conduit
AD	Wiring box 20 mm
AH	Wiring box PG 13,5 with ground wire
CD	20 mm conduit
CG	PG 11 conduit
HH	Wiring box PG 13,5 with ground wire
ND	20 mm conduit with ground wire
NG	PG11 conduit with ground wire
HD	20 mm wiring box with ground wire

3. ELECTRICAL CONNECTION (type 200 Series)

- XX Y ZZ	ELECTRICAL CONNECTION
AA	Wiring box with 1/2" NPS conduit
BA	Flying leads
CA	1/2" NPS conduit
CC	1/2" NPS conduit
EA	Explosion proof (200 Series)
EA	Explosion proof (57, 58 & 59 Series)
EE	Explosion proof (CENELEC)
EN	Explosion proof with ground wire
FA	Military type 2 PIN
GA	Military type 3 PIN
HA	AA with ground wire
JA*	Square connector
JC	Square connector with light
JJ	Square connector, male only
NA	CA with ground wire
NC	CC with ground wire
AD	Wiring box 20 mm
AK	PG 16 wiring box
CD	20 mm conduit
CK	PG 16 conduit
HD	20 mm wiring box with ground wire
HK	PG16 wiring box with ground wire
ND	20 mm conduit with ground wire
NK	PG16 wiring box with ground wire

* Not to be used with 100, 800 and 900 Series manifold mounting

4. WIRE LENGTH (Common options for 100 & 200 Series)

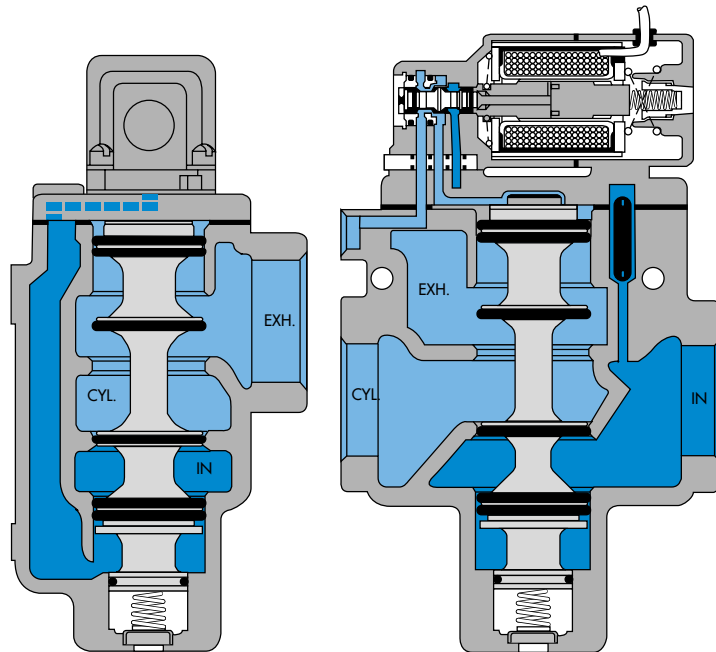
- XX Y ZZ (-VV)	WIRE LENGTH
AA	45 cm - 18"
AB	60 cm - 24"
AD	90 cm - 36"
AE	120 cm - 48"
AF	180 cm - 72"
AG	15 cm - 6"
AR	30 cm - 12"
AU	305 cm - 120"
BA	152 cm - 60"
BB	366 cm - 144"

Series 6000 : wire length, delivered with the base

MOD L024	60 cm - 24"
MOD L036	91 cm - 36"
MOD L048	122 cm - 48"
MOD L060	152 cm - 60"
MOD L072	180 cm - 72"
MOD L120	305 cm - 120"

Individual mounting

inline



Function	Port size	Flow [Max]	Individual mounting
3/2 NO-NC, 2/2 NO-NC	G1/2" - G3/4" - G1"	17400 NI/min	inline

OPERATIONAL BENEFITS

- Balanced spool, immune to variations of pressure.
- Short stroke with high flow.
- The piston (booster) provides maximum shifting forces.
- Checked accumulator guarantees maximum pilot pressure.
- Powerful return force thanks to the combination of mechanical and air springs.
- Bonded spool with minimum friction, shifting in a glass-like finished bore.
- Wiping effect eliminates sticking.
- Pilot valve with balanced poppet, high flow, short and consistent response times.


HOW TO ORDER

Reset

57C-xx-xyzz

Port size	Pilot air	NO only valve	
		NC pilot - NC spool	NC pilot - NO spool
G1/2"	Internal	<input type="radio"/> 57C-14- xyzz	<input type="radio"/> 57C-24- xyzz
G3/4"		<input type="radio"/> 57C-15- xyzz	<input type="radio"/> 57C-25- xyzz
G1"		<input type="radio"/> 57C-16- xyzz	<input type="radio"/> 57C-26- xyzz
G1/2"	External	<input type="radio"/> 57C-34- xyzz	<input type="radio"/> 57C-44- xyzz
G3/4"		<input type="radio"/> 57C-35- xyzz	<input type="radio"/> 57C-45- xyzz
G1"		<input type="radio"/> 57C-36- xyzz	<input type="radio"/> 57C-46- xyzz

SOLENOID OPERATOR >
XX Y ZZ*

XX	Voltage	Y	Manual operator	ZZ	Electrical connection
<input type="radio"/> 11	110V~/50Hz	<input type="radio"/> 1	Non-locking	<input type="radio"/> JA	Square connector
<input type="radio"/> 12	220V~/50Hz	<input type="radio"/> 2	Locking	<input type="radio"/> JC	Square connector with light
<input type="radio"/> 22	24V~/50Hz	<input type="radio"/> y	Other Options	<input type="radio"/> BA	Flying leads (45 cm)
<input type="radio"/> 52	24V=/2,5W			<input type="radio"/> zz	Other Options
<input type="radio"/> 78	24V=/24W				
<input type="radio"/> 61	24V=/8,5W				
<input type="radio"/> xx	Other Options				

**TECHNICAL
DATA**

Fluid :	Compressed air, vacuum, inert gases		
Pressure range :	Internal pilot : 1.7 to 10 bar External pilot : vacuum to 10 bar		
Pilot pressure :	1.7 to 10 bar		
Lubrication :	Not required, if used select a medium aniline point lubricant (between 80°C and 100°C)		
Filtration :	40 µ		
Temperature range :	-18°C to +50°C		
Orifice :	27 mm		
Flow (at 6 bar, ΔP=1 bar) :	G 1/2" : 9000 NI/min (C _v 9.0) - G 3/4" : 12700 NI/min (C _v 12.7) - G 1" : 15900 NI/min (C _v 15.9)		
Leak rate :	100 cm ³ /min		
Coil :	Epoxy encapsulated - class A wires - 100% ED (specify mod 0449)		
Voltage range :	-15% to +10% of nominal voltage		
Protection :	IP 65		
Power :	~ Inrush : 33 VA Holding : 19.7 VA = 1 to 24 W		
Response times :	24 V=8.5 W	Energize : 23 ms	De-energize : 13ms
	50Hz/16 W	Energize : 9-16 ms	De-energize : 11-22 ms

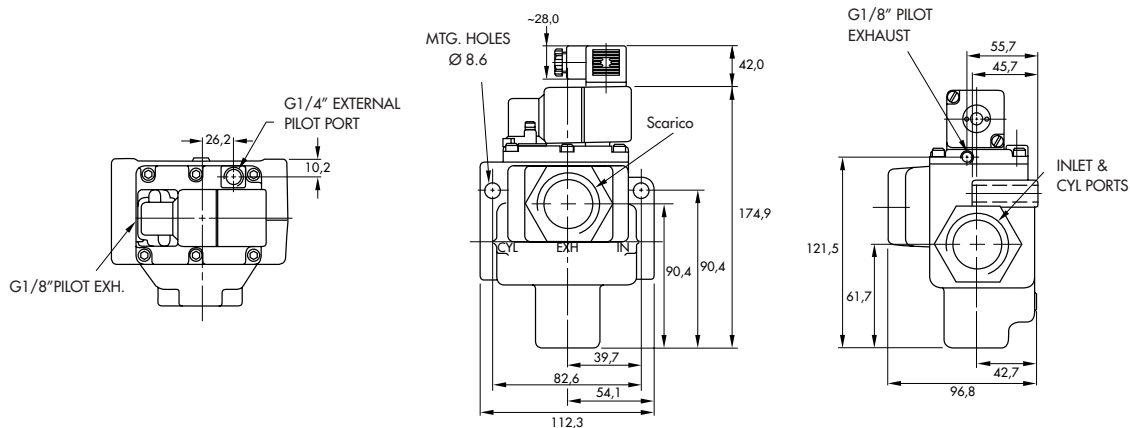
Spare parts :

- Solenoid operator (power ≥ 6 W) : D4-XXYZZ, including mounting screws 32222 and seal B5-6001.
- Pilot valve : 250B-XXYZZ, including mounting screws 32203 and function plate A2-7005. • Check valve : 70019.

Options :

- NPTF threads. • Explosion-proof model.

DIMENSIONS





Codification table for voltages / Manual operator / Electrical connection / Wire length

VALVE CODE >

-XX Y ZZ (-VV)
1 2 3 4

OPTIONS AVAILABLE FOR	OPTIONS AVAILABLE FOR
- valves type 100 Series - pilot valves "CNOMO"	- valves type 200 Series
- Pilot operated valves with pilots type 100 Series Series : 55 - 56 - 700 - 800 - 900 - 6200 - 6300 - 6500 - 6600 - 1300 - ISO 1 - ISO 2 - ISO 3.	- pilot operated valves with pilots type 200 Series Series : 200 - 57 - 58 - 59.
- Pilot operated valves with pilots "CNOMO" Series : ISO1 - ISO2 - ISO3	

1. VOLTAGE (type 100 Series)		1. VOLTAGE (type 200 Series)	
- XX Y ZZ	VOLTAGE	- XX Y ZZ	VOLTAGE
11	120 V~/60 Hz - 110 V~/50 Hz	11	120 V~/60 Hz - 110 V~/50 Hz - 24 V=
12	240 V~/60 Hz - 220 V~/50 Hz	12	240 V~/60 Hz - 220 V~/50 Hz
13	100 V~/60 Hz - 100 V~/50 Hz	13	100 V~/60 Hz - 100 V~/50 Hz
15	200 V~/60 Hz - 200 V~/50 Hz	14	200 V~/60 Hz - 200 V~/50 Hz
16	10 V~/60 Hz	20	6 V~/60 Hz
20	6 V~/60 Hz	21	12 V~/60 Hz
21	12 V~/50 Hz - 12 V~/60 Hz	22	24 V~/60 Hz - 24 V~/50 Hz
22	24 V~/60 Hz - 24 V~/50 Hz	23	32 V~/60 Hz - 32 V~/50 Hz
23	32 V~/60 Hz - 32 V~/50 Hz	24	48 V~/60 Hz - 42 V~/50 Hz
24	48 V~/60 Hz - 42 V~/50 Hz	25	240 V~/50 Hz
26	380 V~/50 Hz, 440 V~/50 Hz -440 V~/60 Hz, 480 V~/60 Hz-CLSF	26	480 V~/60 Hz - 440 V~/50 Hz
29	200 V~/60 Hz	27	127 V~/60 Hz
34	127 V~/50 Hz - 120 V~/50 Hz	28	415 V~/50 Hz
35	48 V~/50 Hz	29	200 V~/60 Hz
36	16 V~/60 Hz	30	380 V~/50 Hz
B1	24 V~/50 Hz	31	550 V~/60 Hz - 550 V~/50 Hz
50	24 V=/6 W	32	120 V~/60 Hz - 110 V~/50 Hz
51	24 V=/4 W	33	600 V~/60 Hz
54	12 V=/4 W	34	127 V~/50 Hz
55	12 V=/6 W	35	48 V~/50 Hz
57	12 V=/2,5 W	50	24 V=/6 W
59	24 V=/2,5 W	51	24 V=/4,5 W
60	12 V=/8,5 W	52	24 V=/2,5 W
61	24 V=/8,5 W	53	24 V=/1 W
64	6 V=/6 W	55	12 V=/6 W
65	32 V=/7 W	57	12 V=/2,5 W
66	48 V=/5,8 W	58	48 V=/2,5 W
67	64 V=/7,5 W	60	12 V=/9,5 W
68	120 V=/6,4 W	61	24 V=/8,5 W
69	220 V=/8,7 W - 250 V=/11,2 W CLSF	64	6 V=/8,5 W
75	90 V=/8,8 W CLSF	65	32 V=/10 W
76	100 V=/6,9 W CLSF	66	48 V=/11,5 W
84	125 V=/10,9 W CLSF	67	64 V=/10,5 W
87	24 V=/17,1 W CLSF	68	120 V=/12,3 W
88	12 V=/17,4 W CLSF	69	250 V=/9,2 W
89	36 V=/18,8 W CLSF	71	8 V=/8,2 W
90	28 V=/8,2 W	72	24 V=/12 W
91	6 V=/10,6 W CLSF	73	198 V=/10 W
92	190 V=/6,5 W	74	72 V=/11,3 W
94	3 V=/7 W	75	90 V=/11,3 W
95	38 V=/6,4 W	76	100 V=/9 W
A1	24 V=/1 W	77	220 V=/10 W - 230 V=/1,6 W
A2	12 V=/1 W	78	24 V=/24 W CLSF
A3	9 V=/1 W	80	55 V=/10,6 W CLSF
MOD. DD01 : Protection diode (DC)		82	179 V=/11,1 W
MOD. MOV1 : Protection varistor (AC)		83	15 V=/8,1 W
MOD. DD01 : max. 8,5 W		84	125 V=/10 W
MOD. MOV1 : max. 8,5 W		86	36 V=/11 W
		93	12 V=/24 W CLSF

2. MANUAL OPERATOR (Common options for 100 & 200 Series)

- XX Y ZZ	MANUAL OPERATOR
0	No operator
1	Non-locking recessed
2	Locking recessed
3	Non-locking extended
4	Locking extended

3. ELECTRICAL CONNECTION (type 100 Series)

- XX Y ZZ	ELECTRICAL CONNECTION
AA	Wiring box with 1/2" NPS conduit
BA	Flying leads
CA	1/2" NPS conduit
CC	1/2" NPS conduit
FA	Military type 2 PIN
GA	Military type 3 PIN
HA	AA with ground wire
JA*	Square connector
JB	Rectangular connector
JC*	Square connector with light
JD	Rectangular connector with light
JE	Square connector on top (ISO2, ISO3)
JF	Rectangular connector on top (ISO1, ISO2, ISO3)
JG	JE with light
JH	JF with light
JJ	Square connector, male only
JM	Rectangular connector, male only
MA	Electrical common conduit
MB	Electrical common conduit
NA	CA with ground wire
NC	CC with ground wire
RA	3/8" NPS conduit
AD	Wiring box 20 mm
AH	Wiring box PG 13,5 with ground wire
CD	20 mm conduit
CG	PG 11 conduit
HH	Wiring box PG 13,5 with ground wire
ND	20 mm conduit with ground wire
NG	PG11 conduit with ground wire
HD	20 mm wiring box with ground wire

3. ELECTRICAL CONNECTION (type 200 Series)

- XX Y ZZ	ELECTRICAL CONNECTION
AA	Wiring box with 1/2" NPS conduit
BA	Flying leads
CA	1/2" NPS conduit
CC	1/2" NPS conduit
EA	Explosion proof (200 Series)
EA	Explosion proof (57, 58 & 59 Series)
EE	Explosion proof (CENELEC)
EN	Explosion proof with ground wire
FA	Military type 2 PIN
GA	Military type 3 PIN
HA	AA with ground wire
JA*	Square connector
JC	Square connector with light
JJ	Square connector, male only
NA	CA with ground wire
NC	CC with ground wire
AD	Wiring box 20 mm
AK	PG 16 wiring box
CD	20 mm conduit
CK	PG 16 conduit
HD	20 mm wiring box with ground wire
HK	PG16 wiring box with ground wire
ND	20 mm conduit with ground wire
NK	PG16 wiring box with ground wire

* Not to be used with 100, 800 and 900 Series manifold mounting

4. WIRE LENGTH (Common options for 100 & 200 Series)

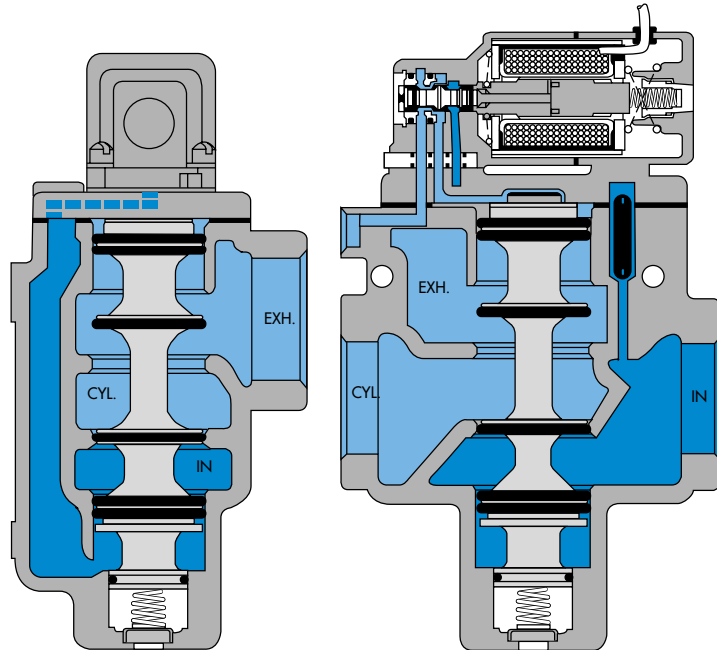
- XX Y ZZ (-VV)	WIRE LENGTH
AA	45 cm - 18"
AB	60 cm - 24"
AD	90 cm - 36"
AE	120 cm - 48"
AF	180 cm - 72"
AG	15 cm - 6"
AR	30 cm - 12"
AU	305 cm - 120"
BA	152 cm - 60"
BB	366 cm - 144"

Series 6000 : wire length, delivered with the base

MOD L024	60 cm - 24"
MOD L036	91 cm - 36"
MOD L048	122 cm - 48"
MOD L060	152 cm - 60"
MOD L072	180 cm - 72"
MOD L120	305 cm - 120"

Individual mounting

inline



Function	Port size	Flow [Max]	Individual mounting
3/2 NO-NC, 2/2 NO-NC	G1" - G1 1/4" - G1 1/2"	24900 NI/min	inline

OPERATIONAL BENEFITS

- Balanced spool, immune to variations of pressure.
- Short stroke with high flow.
- The piston (booster) provides maximum shifting forces.
- Checked accumulator guarantees maximum pilot pressure.
- Powerful return force thanks to the combination of mechanical and air springs.
- Bonded spool with minimum friction, shifting in a glass-like finished bore.
- Wiping effect eliminates sticking.
- Pilot valve with balanced poppet, high flow, short and consistent response times.


HOW TO ORDER

Reset

58C-xx-xyzz

Port size	Pilot air	NO only valve	
		NC pilot - NC spool	NC pilot - NO spool
G1"	Internal	<input type="radio"/> 58C-14- xyzz	<input type="radio"/> 58C-24- xyzz
G1 1/4"		<input type="radio"/> 58C-15- xyzz	<input type="radio"/> 58C-25- xyzz
G1 1/2"		<input type="radio"/> 58C-16- xyzz	<input type="radio"/> 58C-26- xyzz
G1"	External	<input type="radio"/> 58C-34- xyzz	<input type="radio"/> 58C-44- xyzz
G1 1/4"		<input type="radio"/> 58C-35- xyzz	<input type="radio"/> 58C-45- xyzz
G1 1/2"		<input type="radio"/> 58C-36- xyzz	<input type="radio"/> 58C-46- xyzz

SOLENOID OPERATOR >
XX Y ZZ*

XX	Voltage	Y	Manual operator	ZZ	Electrical connection
<input type="radio"/> 11	110V~/50Hz	<input type="radio"/> 1	Non-locking	<input type="radio"/> JA	Square connector
<input type="radio"/> 12	220V~/50Hz	<input type="radio"/> 2	Locking	<input type="radio"/> JC	Square connector with light
<input type="radio"/> 22	24V~/50Hz	<input type="radio"/> y	Other Options	<input type="radio"/> BA	Flying leads (45 cm)
<input type="radio"/> 52	24V=/2,5W			<input type="radio"/> zz	Other Options
<input type="radio"/> 78	24V=/24W				
<input type="radio"/> 61	24V=/8,5W				
<input type="radio"/> xx	Other Options				

**TECHNICAL
DATA**

Fluid :	Compressed air, vacuum, inert gases		
Pressure range :	Internal pilot : 1.7 to 10 bar External pilot : vacuum to 10 bar		
Pilot pressure :	1.7 to 10 bar		
Lubrication :	Not required, if used select a medium aniline point lubricant (between 80°C and 100°C)		
Filtration :	40 µ		
Temperature range :	-18°C to +50°C		
Orifice :	38 mm		
Flow (at 6 bar, ΔP=1bar) :	G1" : 18700 NI/min (C _v 18.7) - G1 1/4" : 23000 NI/min (C _v 23.0) - G1 1/2" : 24900 NI/min (C _v 24.9)		
Leak rate :	125 cm ³ /min		
Coil :	Epoxy encapsulated - class A wires - 100% ED (specify mod 0449)		
Voltage range :	-15% to +10% of nominal voltage		
Protection :	IP 65		
Power :	~ Inrush : 33 VA	Holding : 19.7 VA	
	= 1 to 24 W		
Response times :	24 V=8.5 W	Energize : 25 ms	De-energize : 18ms
	50Hz/16 W	Energize : 10-17 ms	De-energize : 17-22 ms

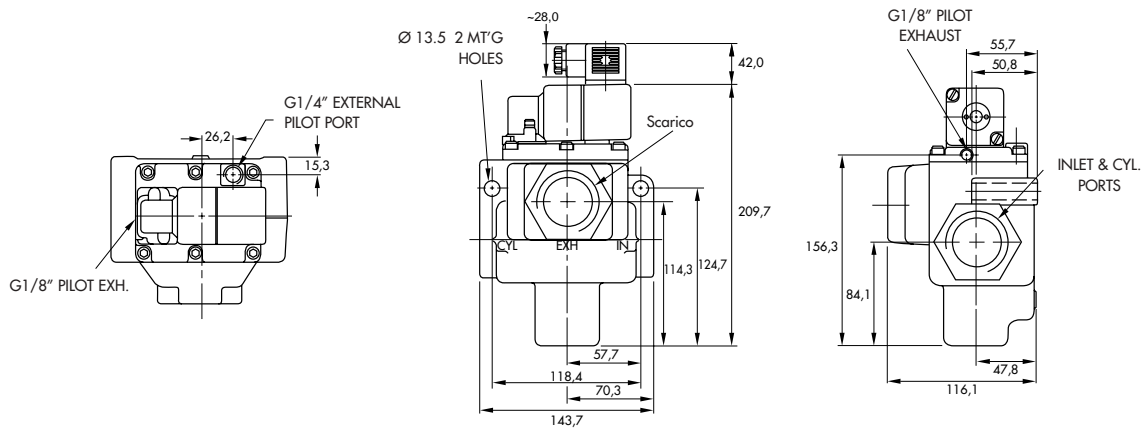
Spare parts :

- Solenoid operator (power ≥ 6 W) : D4-XXYZZ, including mounting screws 32222 and seal B5-6001.
- Pilot valve : 250B-XXYZZ, including mounting screws 32203 and function plate A2-7005. • Check valve : 70019.

Options :

- NPTF threads. • Explosion-proof model.

DIMENSIONS





Codification table for voltages / Manual operator / Electrical connection / Wire length

VALVE CODE >

-XX Y ZZ (-VV)
1 2 3 4

OPTIONS AVAILABLE FOR	OPTIONS AVAILABLE FOR
- valves type 100 Series - pilot valves "CNOMO"	- valves type 200 Series
- Pilot operated valves with pilots type 100 Series Series : 55 - 56 - 700 - 800 - 900 - 6200 - 6300 - 6500 - 6600 - 1300 - ISO 1 - ISO 2 - ISO 3.	- pilot operated valves with pilots type 200 Series Series : 200 - 57 - 58 - 59.
- Pilot operated valves with pilots "CNOMO" Series : ISO1 - ISO2 - ISO3	

1. VOLTAGE (type 100 Series)		1. VOLTAGE (type 200 Series)	
- XX Y ZZ	VOLTAGE	- XX Y ZZ	VOLTAGE
11	120 V~/60 Hz - 110 V~/50 Hz	11	120 V~/60 Hz - 110 V~/50 Hz - 24 V=
12	240 V~/60 Hz - 220 V~/50 Hz	12	240 V~/60 Hz - 220 V~/50 Hz
13	100 V~/60 Hz - 100 V~/50 Hz	13	100 V~/60 Hz - 100 V~/50 Hz
15	200 V~/60 Hz - 200 V~/50 Hz	14	200 V~/60 Hz - 200 V~/50 Hz
16	10 V~/60 Hz	20	6 V~/60 Hz
20	6 V~/60 Hz	21	12 V~/60 Hz
21	12 V~/50 Hz - 12 V~/60 Hz	22	24 V~/60 Hz - 24 V~/50 Hz
22	24 V~/60 Hz - 24 V~/50 Hz	23	32 V~/60 Hz - 32 V~/50 Hz
23	32 V~/60 Hz - 32 V~/50 Hz	24	48 V~/60 Hz - 42 V~/50 Hz
24	48 V~/60 Hz - 42 V~/50 Hz	25	240 V~/50 Hz
26	380 V~/50 Hz, 440 V~/50 Hz -440 V~/60 Hz, 480 V~/60 Hz-CLSF	26	480 V~/60 Hz - 440 V~/50 Hz
29	200 V~/60 Hz	27	127 V~/60 Hz
34	127 V~/50 Hz - 120 V~/50 Hz	28	415 V~/50 Hz
35	48 V~/50 Hz	29	200 V~/60 Hz
36	16 V~/60 Hz	30	380 V~/50 Hz
B1	24 V~/50 Hz	31	550 V~/60 Hz - 550 V~/50 Hz
50	24 V=/6 W	32	120 V~/60 Hz - 110 V~/50 Hz
51	24 V=/4 W	33	600 V~/60 Hz
54	12 V=/4 W	34	127 V~/50 Hz
55	12 V=/6 W	35	48 V~/50 Hz
57	12 V=/2,5 W	50	24 V=/6 W
59	24 V=/2,5 W	51	24 V=/4,5 W
60	12 V=/8,5 W	52	24 V=/2,5 W
61	24 V=/8,5 W	53	24 V=/1 W
64	6 V=/6 W	55	12 V=/6 W
65	32 V=/7 W	57	12 V=/2,5 W
66	48 V=/5,8 W	58	48 V=/2,5 W
67	64 V=/7,5 W	60	12 V=/9,5 W
68	120 V=/6,4 W	61	24 V=/8,5 W
69	220 V=/8,7 W - 250 V=/11,2 W CLSF	64	6 V=/8,5 W
75	90 V=/8,8 W CLSF	65	32 V=/10 W
76	100 V=/6,9 W CLSF	66	48 V=/11,5 W
84	125 V=/10,9 W CLSF	67	64 V=/10,5 W
87	24 V=/17,1 W CLSF	68	120 V=/12,3 W
88	12 V=/17,4 W CLSF	69	250 V=/9,2 W
89	36 V=/18,8 W CLSF	71	8 V=/8,2 W
90	28 V=/8,2 W	72	24 V=/12 W
91	6 V=/10,6 W CLSF	73	198 V=/10 W
92	190 V=/6,5 W	74	72 V=/11,3 W
94	3 V=/7 W	75	90 V=/11,3 W
95	38 V=/6,4 W	76	100 V=/9 W
A1	24 V=/1 W	77	220 V=/10 W - 230 V=/1,6 W
A2	12 V=/1 W	78	24 V=/24 W CLSF
A3	9 V=/1 W	80	55 V=/10,6 W CLSF
MOD. DD01 : Protection diode (DC)		82	179 V=/11,1 W
MOD. MOV1 : Protection varistor (AC)		83	15 V=/8,1 W
MOD. DD01 : max. 8,5 W		84	125 V=/10 W
MOD. MOV1 : max. 8,5 W		86	36 V=/11 W
		93	12 V=/24 W CLSF

2. MANUAL OPERATOR (Common options for 100 & 200 Series)

- XX Y ZZ	MANUAL OPERATOR
0	No operator
1	Non-locking recessed
2	Locking recessed
3	Non-locking extended
4	Locking extended

3. ELECTRICAL CONNECTION (type 100 Series)

- XX Y ZZ	ELECTRICAL CONNECTION
AA	Wiring box with 1/2" NPS conduit
BA	Flying leads
CA	1/2" NPS conduit
CC	1/2" NPS conduit
FA	Military type 2 PIN
GA	Military type 3 PIN
HA	AA with ground wire
JA*	Square connector
JB	Rectangular connector
JC*	Square connector with light
JD	Rectangular connector with light
JE	Square connector on top (ISO2, ISO3)
JF	Rectangular connector on top (ISO1, ISO2, ISO3)
JG	JE with light
JH	JF with light
JJ	Square connector, male only
JM	Rectangular connector, male only
MA	Electrical common conduit
MB	Electrical common conduit
NA	CA with ground wire
NC	CC with ground wire
RA	3/8" NPS conduit
AD	Wiring box 20 mm
AH	Wiring box PG 13,5 with ground wire
CD	20 mm conduit
CG	PG 11 conduit
HH	Wiring box PG 13,5 with ground wire
ND	20 mm conduit with ground wire
NG	PG11 conduit with ground wire
HD	20 mm wiring box with ground wire

3. ELECTRICAL CONNECTION (type 200 Series)

- XX Y ZZ	ELECTRICAL CONNECTION
AA	Wiring box with 1/2" NPS conduit
BA	Flying leads
CA	1/2" NPS conduit
CC	1/2" NPS conduit
EA	Explosion proof (200 Series)
EA	Explosion proof (57, 58 & 59 Series)
EE	Explosion proof (CENELEC)
EN	Explosion proof with ground wire
FA	Military type 2 PIN
GA	Military type 3 PIN
HA	AA with ground wire
JA*	Square connector
JC	Square connector with light
JJ	Square connector, male only
NA	CA with ground wire
NC	CC with ground wire
AD	Wiring box 20 mm
AK	PG 16 wiring box
CD	20 mm conduit
CK	PG 16 conduit
HD	20 mm wiring box with ground wire
HK	PG16 wiring box with ground wire
ND	20 mm conduit with ground wire
NK	PG16 wiring box with ground wire

* Not to be used with 100, 800 and 900 Series manifold mounting

4. WIRE LENGTH (Common options for 100 & 200 Series)

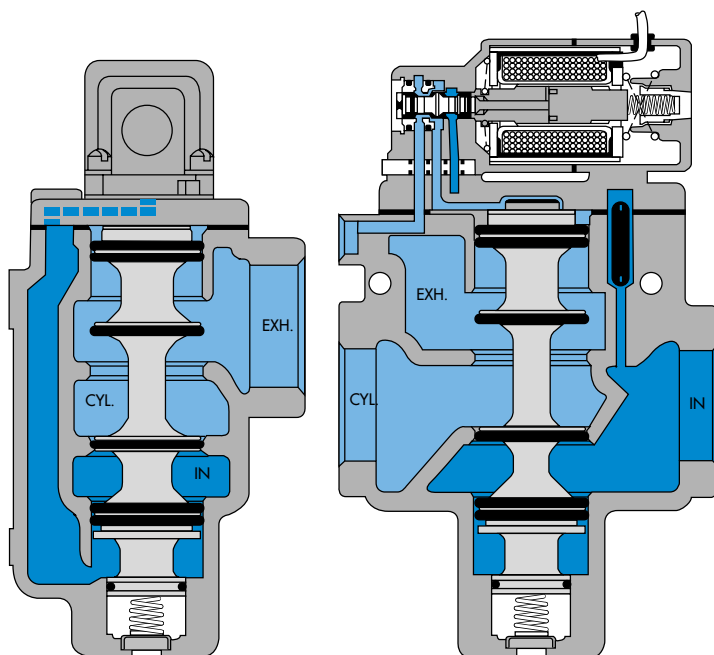
- XX Y ZZ (-VV)	WIRE LENGTH
AA	45 cm - 18"
AB	60 cm - 24"
AD	90 cm - 36"
AE	120 cm - 48"
AF	180 cm - 72"
AG	15 cm - 6"
AR	30 cm - 12"
AU	305 cm - 120"
BA	152 cm - 60"
BB	366 cm - 144"

Series 6000 : wire length, delivered with the base

MOD L024	60 cm - 24"
MOD L036	91 cm - 36"
MOD L048	122 cm - 48"
MOD L060	152 cm - 60"
MOD L072	180 cm - 72"
MOD L120	305 cm - 120"

Individual mounting

inline



Function	Port size	Flow [Max]	Individual mounting
3/2 NO-NC, 2/2 NO-NC	G2" - G2 1/2"	60000 NI/min	inline

OPERATIONAL BENEFITS

- Balanced spool, immune to variations of pressure.
- Short stroke with high flow.
- The piston (booster) provides maximum shifting forces.
- Checked accumulator guarantees maximum pilot pressure.
- Powerful return force thanks to the combination of mechanical and air springs.
- Bonded spool with minimum friction, shifting in a glass-like finished bore.
- Wiping effect eliminates sticking.
- Pilot valve with balanced poppet, high flow, short and consistent response times.


HOW TO ORDER

Reset

59B-xx-xyzz

Port size	Pilot air	NC only valve NC pilot - NC spool	NO only valve NO pilot - NC spool
G2"	Internal	<input type="radio"/> 59B-15- xyzz	<input type="radio"/> 59B-25- xyzz
G2 1/2"		<input type="radio"/> 59B-16- xyzz	<input type="radio"/> 59B-26- xyzz
G2"	External	<input type="radio"/> 59B-35- xyzz	<input type="radio"/> 59B-45- xyzz
G2 1/2"		<input type="radio"/> 59B-36- xyzz	<input type="radio"/> 59B-46- xyzz

SOLENOID OPERATOR >
XX Y ZZ*

XX	Voltage	Y	Manual operator	ZZ	Electrical connection
<input type="radio"/> 11	110V~/50Hz	<input type="radio"/> 1	Non-locking	<input type="radio"/> JA	Square connector
<input type="radio"/> 12	220V~/50Hz	<input type="radio"/> 2	Locking	<input type="radio"/> JC	Square connector with light
<input type="radio"/> 22	24V~/50Hz	<input type="radio"/> y	Other Options	<input type="radio"/> BA	Flying leads (45 cm)
<input type="radio"/> 52	24V=/2,5W			<input type="radio"/> zz	Other Options
<input type="radio"/> 78	24V=/24W				
<input type="radio"/> 61	24V=/8,5W				
<input type="radio"/> xx	Other Options				

**TECHNICAL
DATA**

Fluid :	Compressed air, vacuum, inert gases
Pressure range :	Internal pilot : 1.7 to 10 bar External pilot : vacuum to 10 bar
Pilot pressure :	1.7 to 10 bar
Lubrication :	Not required, if used select a medium aniline point lubricant (between 80°C and 100°C)
Filtration :	40 µ
Temperature range :	-18°C to +50°C
Orifice :	53 mm
Flow (at 6 bar, ΔP=1bar) :	G2" : 55000 NI/min (C _v 55.0) - G2 1/2" : 60000 NI/min (C _v 60.0)
Leak rate :	150 cm ³ /min
Coil :	Epoxy encapsulated - class A wires - 100% ED (specify mod 0449)
Voltage range :	-15% to +10% of nominal voltage
Protection :	IP 65
Power :	~ Inrush : 33 VA Holding : 19.7 VA = 1 to 24 W
Response times :	24 V=8.5 W Energize : 38 ms De-energize : 25ms 50Hz/16 W Energize : 35-45 ms De-energize : 25-34 ms

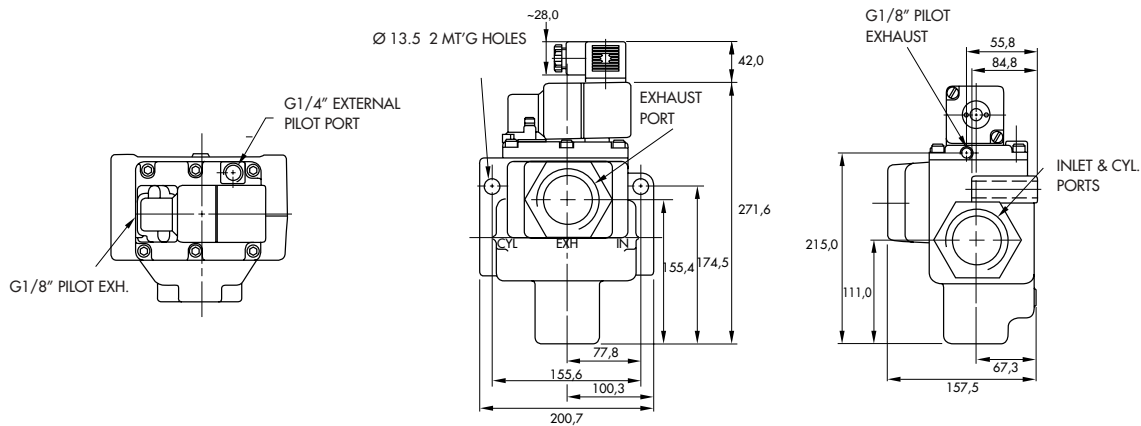
Spare parts :

- Solenoid operator (power ≥ 6 W) : D4-XXYZZ, including mounting screws 32222 and seal B5-6001.
- Pilot valve : 250B-XXYZZ, including mounting screws 32203 and function plate A2-7005. • Check valve : 70019.

Options :

- NPTF threads. • Explosion-proof model.

DIMENSIONS





Codification table for voltages / Manual operator / Electrical connection / Wire length

VALVE CODE >

-XX Y ZZ (-VV)
1 2 3 4

OPTIONS AVAILABLE FOR	OPTIONS AVAILABLE FOR
- valves type 100 Series - pilot valves "CNOMO"	- valves type 200 Series
- Pilot operated valves with pilots type 100 Series Series : 55 - 56 - 700 - 800 - 900 - 6200 - 6300 - 6500 - 6600 - 1300 - ISO 1 - ISO 2 - ISO 3.	- pilot operated valves with pilots type 200 Series Series : 200 - 57 - 58 - 59.
- Pilot operated valves with pilots "CNOMO" Series : ISO1 - ISO2 - ISO3	

1. VOLTAGE (type 100 Series)		1. VOLTAGE (type 200 Series)	
- XX Y ZZ	VOLTAGE	- XX Y ZZ	VOLTAGE
11	120 V~/60 Hz - 110 V~/50 Hz	11	120 V~/60 Hz - 110 V~/50 Hz - 24 V=
12	240 V~/60 Hz - 220 V~/50 Hz	12	240 V~/60 Hz - 220 V~/50 Hz
13	100 V~/60 Hz - 100 V~/50 Hz	13	100 V~/60 Hz - 100 V~/50 Hz
15	200 V~/60 Hz - 200 V~/50 Hz	14	200 V~/60 Hz - 200 V~/50 Hz
16	10 V~/60 Hz	20	6 V~/60 Hz
20	6 V~/60 Hz	21	12 V~/60 Hz
21	12 V~/50 Hz - 12 V~/60 Hz	22	24 V~/60 Hz - 24 V~/50 Hz
22	24 V~/60 Hz - 24 V~/50 Hz	23	32 V~/60 Hz - 32 V~/50 Hz
23	32 V~/60 Hz - 32 V~/50 Hz	24	48 V~/60 Hz - 42 V~/50 Hz
24	48 V~/60 Hz - 42 V~/50 Hz	25	240 V~/50 Hz
26	380 V~/50 Hz, 440 V~/50 Hz -440 V~/60 Hz, 480 V~/60 Hz-CLSF	26	480 V~/60 Hz - 440 V~/50 Hz
29	200 V~/60 Hz	27	127 V~/60 Hz
34	127 V~/50 Hz - 120 V~/50 Hz	28	415 V~/50 Hz
35	48 V~/50 Hz	29	200 V~/60 Hz
36	16 V~/60 Hz	30	380 V~/50 Hz
B1	24 V~/50 Hz	31	550 V~/60 Hz - 550 V~/50 Hz
50	24 V=/6 W	32	120 V~/60 Hz - 110 V~/50 Hz
51	24 V=/4 W	33	600 V~/60 Hz
54	12 V=/4 W	34	127 V~/50 Hz
55	12 V=/6 W	35	48 V~/50 Hz
57	12 V=/2,5 W	50	24 V=/6 W
59	24 V=/2,5 W	51	24 V=/4,5 W
60	12 V=/8,5 W	52	24 V=/2,5 W
61	24 V=/8,5 W	53	24 V=/1 W
64	6 V=/6 W	55	12 V=/6 W
65	32 V=/7 W	57	12 V=/2,5 W
66	48 V=/5,8 W	58	48 V=/2,5 W
67	64 V=/7,5 W	60	12 V=/9,5 W
68	120 V=/6,4 W	61	24 V=/8,5 W
69	220 V=/8,7 W - 250 V=/11,2 W CLSF	64	6 V=/8,5 W
75	90 V=/8,8 W CLSF	65	32 V=/10 W
76	100 V=/6,9 W CLSF	66	48 V=/11,5 W
84	125 V=/10,9 W CLSF	67	64 V=/10,5 W
87	24 V=/17,1 W CLSF	68	120 V=/12,3 W
88	12 V=/17,4 W CLSF	69	250 V=/9,2 W
89	36 V=/18,8 W CLSF	71	8 V=/8,2 W
90	28 V=/8,2 W	72	24 V=/12 W
91	6 V=/10,6 W CLSF	73	198 V=/10 W
92	190 V=/6,5 W	74	72 V=/11,3 W
94	3 V=/7 W	75	90 V=/11,3 W
95	38 V=/6,4 W	76	100 V=/9 W
A1	24 V=/1 W	77	220 V=/10 W - 230 V=/1,6 W
A2	12 V=/1 W	78	24 V=/24 W CLSF
A3	9 V=/1 W	80	55 V=/10,6 W CLSF
MOD. DD01 : Protection diode (DC)		82	179 V=/11,1 W
MOD. MOV1 : Protection varistor (AC)		83	15 V=/8,1 W
MOD. DD01 : max. 8,5 W		84	125 V=/10 W
MOD. MOV1 : max. 8,5 W		86	36 V=/11 W
		93	12 V=/24 W CLSF

2. MANUAL OPERATOR (Common options for 100 & 200 Series)

- XX Y ZZ	MANUAL OPERATOR
0	No operator
1	Non-locking recessed
2	Locking recessed
3	Non-locking extended
4	Locking extended

3. ELECTRICAL CONNECTION (type 100 Series)

- XX Y ZZ	ELECTRICAL CONNECTION
AA	Wiring box with 1/2" NPS conduit
BA	Flying leads
CA	1/2" NPS conduit
CC	1/2" NPS conduit
FA	Military type 2 PIN
GA	Military type 3 PIN
HA	AA with ground wire
JA*	Square connector
JB	Rectangular connector
JC*	Square connector with light
JD	Rectangular connector with light
JE	Square connector on top (ISO2, ISO3)
JF	Rectangular connector on top (ISO1, ISO2, ISO3)
JG	JE with light
JH	JF with light
JJ	Square connector, male only
JM	Rectangular connector, male only
MA	Electrical common conduit
MB	Electrical common conduit
NA	CA with ground wire
NC	CC with ground wire
RA	3/8" NPS conduit
AD	Wiring box 20 mm
AH	Wiring box PG 13,5 with ground wire
CD	20 mm conduit
CG	PG 11 conduit
HH	Wiring box PG 13,5 with ground wire
ND	20 mm conduit with ground wire
NG	PG11 conduit with ground wire
HD	20 mm wiring box with ground wire

3. ELECTRICAL CONNECTION (type 200 Series)

- XX Y ZZ	ELECTRICAL CONNECTION
AA	Wiring box with 1/2" NPS conduit
BA	Flying leads
CA	1/2" NPS conduit
CC	1/2" NPS conduit
EA	Explosion proof (200 Series)
EA	Explosion proof (57, 58 & 59 Series)
EE	Explosion proof (CENELEC)
EN	Explosion proof with ground wire
FA	Military type 2 PIN
GA	Military type 3 PIN
HA	AA with ground wire
JA*	Square connector
JC	Square connector with light
JJ	Square connector, male only
NA	CA with ground wire
NC	CC with ground wire
AD	Wiring box 20 mm
AK	PG 16 wiring box
CD	20 mm conduit
CK	PG 16 conduit
HD	20 mm wiring box with ground wire
HK	PG16 wiring box with ground wire
ND	20 mm conduit with ground wire
NK	PG16 wiring box with ground wire

* Not to be used with 100, 800 and 900 Series manifold mounting

4. WIRE LENGTH (Common options for 100 & 200 Series)

- XX Y ZZ (-VV)	WIRE LENGTH
AA	45 cm - 18"
AB	60 cm - 24"
AD	90 cm - 36"
AE	120 cm - 48"
AF	180 cm - 72"
AG	15 cm - 6"
AR	30 cm - 12"
AU	305 cm - 120"
BA	152 cm - 60"
BB	366 cm - 144"

Series 6000 : wire length, delivered with the base

MOD L024	60 cm - 24"
MOD L036	91 cm - 36"
MOD L048	122 cm - 48"
MOD L060	152 cm - 60"
MOD L072	180 cm - 72"
MOD L120	305 cm - 120"

Individual mounting

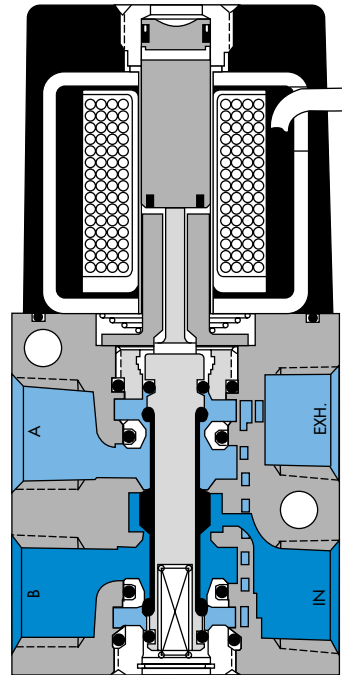
inline	sub-base
--------	----------

Manifold mounting

stacking	sub-base	sub-base with pressure regulators	sub-base with pressure and flow regulators
----------	----------	-----------------------------------	--

Circuit bar mounting

cylinder ports in base	with pressure regulators	"plug-in"	"plug-in" with pressure regulators	"plug-in" with flow regulators	"plug-in" with pressure and flow regulators
------------------------	--------------------------	-----------	------------------------------------	--------------------------------	---



Function	Port size	Flow [Max]	Individual mounting
4/2	M5 - G1/8"	150 NI/min	inline

OPERATIONAL BENEFITS

1. Balanced poppet, immune to variations of pressure.
2. Short stroke with high flow.
3. The patented solenoid develops high shifting forces.
4. Powerful return spring.
5. Manual operator standard on all valves.
6. Burn-out proof solenoid on AC service.


HOW TO ORDER

Reset

45A-xxx-Dxxx-xxx

Port size	Single operator	Double operator (Minimum DC wattage 5,4W)
G1/8"	 <input type="radio"/> 45A-AC1-Dxxx-xxx	 <input type="radio"/> 45A-GC1-Dxxx-xxx
M5	<input type="radio"/> 45A-AD1-Dxxx-xxx	<input type="radio"/> 45A-GD1-Dxxx-xxx

WITH INTEGRATED FLOW REGULATORS

Port size	Single operator	Double operator (Minimum DC wattage 5,4W)
G1/8"	 <input type="radio"/> 45A-AC2-Dxxx-xxx	 <input type="radio"/> 45A-GC2-Dxxx-xxx
M5	<input type="radio"/> 45A-AD2-Dxxx-xxx	<input type="radio"/> 45A-GD2-Dxxx-xxx

SOLENOID OPERATOR >

 D **XX X- X XX**

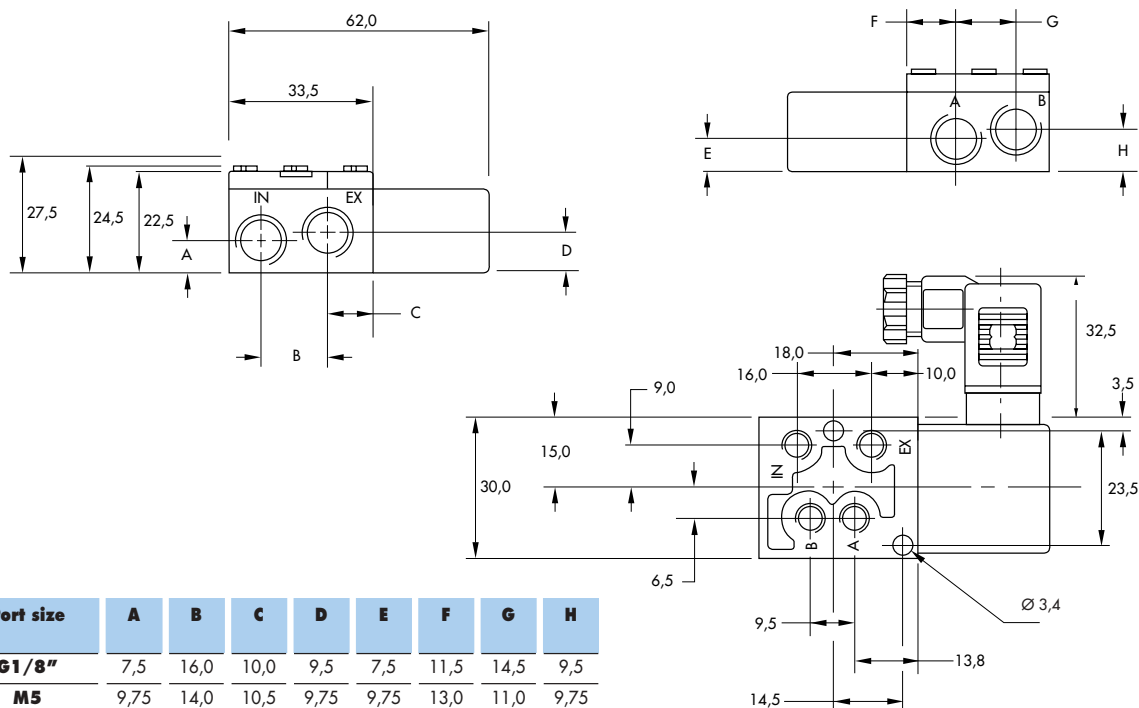
XX	Voltage	X	Wire length	X	Manual operator	XX	Electrical connection
<input type="radio"/> AB	220V~/50HZ	<input type="radio"/> A	45 cm (Flying leads)	<input type="radio"/> 1	Non-locking	<input type="radio"/> KA	Square connector
<input type="radio"/> AA	110V~/50HZ	<input type="radio"/> J	Connector	<input type="radio"/> 2	Locking	<input type="radio"/> KD	Square connector with light
<input type="radio"/> AC	24V~/50HZ	<input type="radio"/> x	Other Options	<input type="radio"/> x	Other Options	<input type="radio"/> JB	Rectangular connector
<input type="radio"/> FB	24V=/1,8W					<input type="radio"/> JD	Rectangular connector with light
<input type="radio"/> DA	24V=/5,4W					<input type="radio"/> BA	Flying leads
<input type="radio"/> DF	24V=/12,7W					<input type="radio"/> xx	Other Options
<input type="radio"/> xx	Other Options						

**TECHNICAL
DATA**

Fluid :	Compressed air, vacuum, inert gases		
Pressure range :	Vacuum to 8.5 bar		
Lubrication :	Not required, if used select a medium aniline point lubricant (between 80°C and 100°C)		
Filtration :	40 µ		
Temperature range :	-18°C to +50°C		
Orifice :	2 mm		
Flow (at 6 bar, ΔP=1 bar) :	1.8 W : 100 NI/min (C _v 0.1) - 5.4 to 12.7 W : 150 NI/min (C _v 0.15)		
Leak rate :	50 cm ³ /min		
Coil :	Epoxy encapsulated - class A wires - 100% ED (specify mod 0449)		
Voltage range :	-15% to +10% of nominal voltage		
Protection :	IP 65		
Power :	~ Inrush : 10.9 VA Holding : 7.7 VA = 1.8 to 12.7 W		
Response times :	24 V=5.4 W	Energize : 6 ms	De-energize : 2 ms
	50Hz/6 W	Energize : 3-8 ms	De-energize : 2-7 ms

- Spare parts :
- Solenoid operator (power ≥ 5.4 W) : 45A-000-DXXX-XXX, including mounting screws 35013.
 - Seal (between solenoid and valve body) : 16402. • Valve cover plate with flow controls : N-45002.
- Options :
- NPTF threads. • High flow up to 320 NI/min, according to wattage. • NAMUR interface.

DIMENSIONS



Function	Port size	Flow [Max]	Individual mounting
4/2	M5 - G1/8"	130 NI/min	sub-base

OPERATIONAL BENEFITS

- Balanced poppet, immune to variations of pressure.
- Short stroke with high flow.
- The patented solenoid develops high shifting forces.
- Powerful return spring.
- Manual operator standard on all valves.
- Burn-out proof solenoid on AC service.


HOW TO ORDER

Reset

45A-xxx-Dxxx-xxx

Port size	Single operator	Double operator (Minimum DC wattage 5,4W)
Valve less base	<input type="radio"/> 45A-L00-Dxxx-xxx	<input type="radio"/> 45A-N00-Dxxx-xxx
G 1/8" base	<input type="radio"/> 45A-LCA-Dxxx-xxx	<input type="radio"/> 45A-NCA-Dxxx-xxx
M5 base	<input type="radio"/> 45A-LDA-Dxxx-xxx	<input type="radio"/> 45A-NDA-Dxxx-xxx

WITH INTEGRATED FLOW REGULATORS

Port size	Single operator	Double operator (Minimum DC wattage 5,4W)
Valve less base	<input type="radio"/> 45A-L00-Dxxx-xxx	<input type="radio"/> 45A-N00-Dxxx-xxx
G 1/8" base	<input type="radio"/> 45A-LCB-Dxxx-xxx	<input type="radio"/> 45A-NCB-Dxxx-xxx
M5 base	<input type="radio"/> 45A-LDB-Dxxx-xxx	<input type="radio"/> 45A-NDB-Dxxx-xxx

SOLENOID OPERATOR >

 D **XX X- X XX***

XX	Voltage	X	Wire length	X	Manual operator	XX	Electrical connection
<input type="radio"/> AB	220V~/50HZ	<input type="radio"/> A	45 cm (Flying leads)	<input type="radio"/> 1	Non-locking	<input type="radio"/> KA	Square connector
<input type="radio"/> AA	110V~/50HZ	<input type="radio"/> J	Connector	<input type="radio"/> 2	Locking	<input type="radio"/> KD	Square connector with light
<input type="radio"/> AC	24V~/50HZ	<input type="radio"/> x	Other Options	<input type="radio"/> x	Other Options	<input type="radio"/> BA	Flying leads
<input type="radio"/> FB	24V=/1,8W					<input type="radio"/> xx	Other Options
<input type="radio"/> DA	24V=/5,4W						
<input type="radio"/> DF	24V=/12,7W						
<input type="radio"/> xx	Other Options						

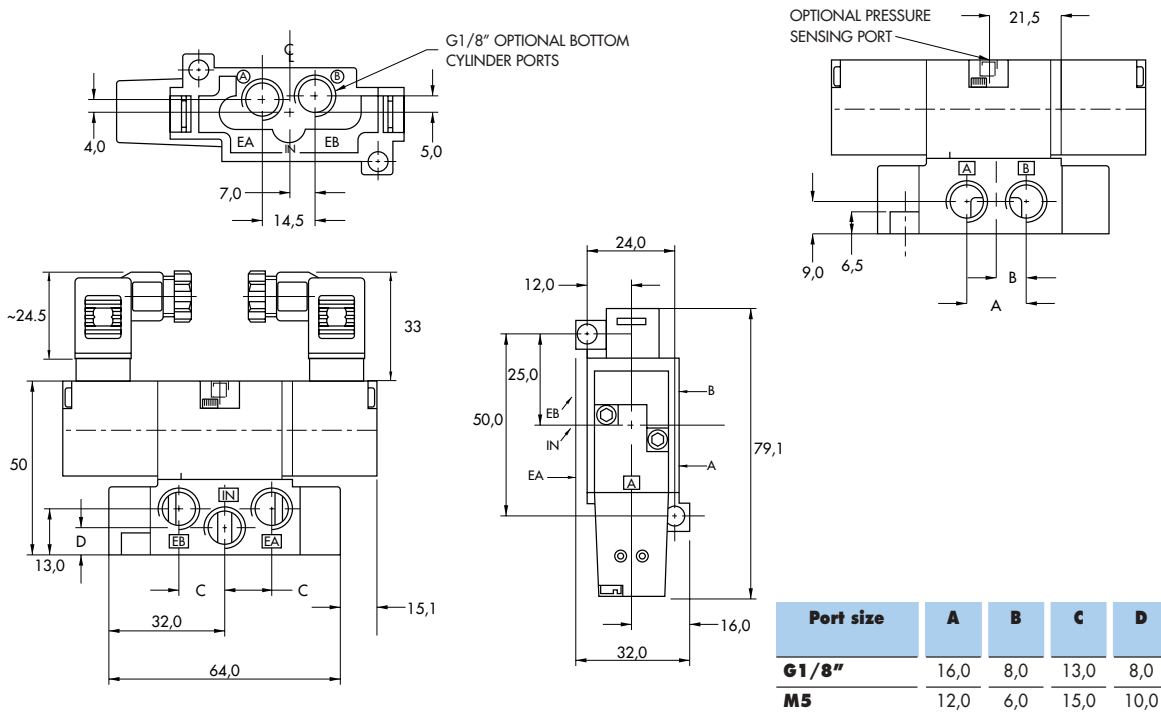
**TECHNICAL
DATA**

Fluid :	Compressed air, vacuum, inert gases		
Pressure range :	Vacuum to 8.5 bar		
Lubrication :	Not required, if used select a medium aniline point lubricant (between 80°C and 100°C)		
Filtration :	40 µ		
Temperature range :	-18°C to +50°C		
Orifice :	2 mm		
Flow (at 6 bar, ΔP=1 bar) :	1.8 W : 110 NI/min (C _v 0.11) - 5.4 to 12.7 W : 130 NI/min (C _v 0.13)		
Leak rate :	50 cm ³ /min		
Coil :	Epoxy encapsulated - class A wires - 100% ED (specify mod 0449)		
Voltage range :	-15% to +10% of nominal voltage		
Protection :	IP 65		
Power :	~ Inrush : 10.9 VA Holding : 7.7 VA = 1.8 to 12.7 W		
Response times :	24 V=/5.4 W	Energize : 6 ms	De-energize : 2 ms
	50Hz/6 W	Energize : 3-8 ms	De-energize : 2-7 ms

Spare parts : • Solenoid operator (power ≥ 5.4 W) : 45A-000-DXXX-XXX, including mounting screws 35013.
 • Seal (between solenoid and valve body) : 16402. • Seal between base and valve : 16453. • Flow control : N-45018.

Options : • NPTF threads. • High flow up to 200 NI/min, according to wattage.

DIMENSIONS



Function	Port size	Flow [Max]	Manifold mounting
4/2	M5 - G1/8"	200 NI/min	stacking

OPERATIONAL BENEFITS

- Balanced poppet, immune to variations of pressure.
- Short stroke with high flow.
- The patented solenoid develops high shifting forces.
- Powerful return spring.
- Manual operator standard on all valves.
- Burn-out proof solenoid on AC service.


HOW TO ORDER

Reset

45A-xxx-Dxxx-xxx

Port size	Single operator	Double operator (Minimum DC wattage 5,4W)
G1/8"	 <input type="radio"/> 45A-SC1-Dxxx-xxx	 <input type="radio"/> 45A-TC1-Dxxx-xxx
M5	<input type="radio"/> 45A-SD1-Dxxx-xxx	<input type="radio"/> 45A-TD1-Dxxx-xxx

WITH INTEGRATED FLOW REGULATORS

Port size	Single operator	Double operator
G1/8"	 <input type="radio"/> 45A-SC2-Dxxx-xxx	 <input type="radio"/> 45A-TC2-Dxxx-xxx
M5	<input type="radio"/> 45A-SD2-Dxxx-xxx	<input type="radio"/> 45A-TD2-Dxxx-xxx

SOLENOID OPERATOR >

 D **XX X- X XX***

XX	Voltage	X	Wire length	X	Manual operator	XX	Electrical connection
<input type="radio"/> AB	220V~/50HZ	<input type="radio"/> A	45 cm (Flying leads)	<input type="radio"/> 1	Non-locking	<input type="radio"/> KA	Square connector
<input type="radio"/> AA	110V~/50HZ	<input type="radio"/> J	Connector	<input type="radio"/> 2	Locking	<input type="radio"/> KD	Square connector with light
<input type="radio"/> AC	24V~/50HZ	<input type="radio"/> x	Other Options	<input type="radio"/> x	Other Options	<input type="radio"/> BA	Flying leads
<input type="radio"/> FB	24V=/1,8W					<input type="radio"/> xx	Other Options
<input type="radio"/> DA	24V=/5,4W						
<input type="radio"/> DF	24V=/12,7W						
<input type="radio"/> xx	Other Options						

End plate kit (Port size G1/4") : M-45001-01P

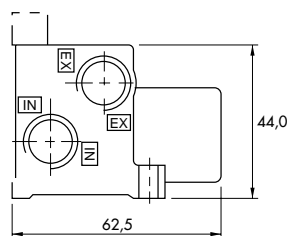
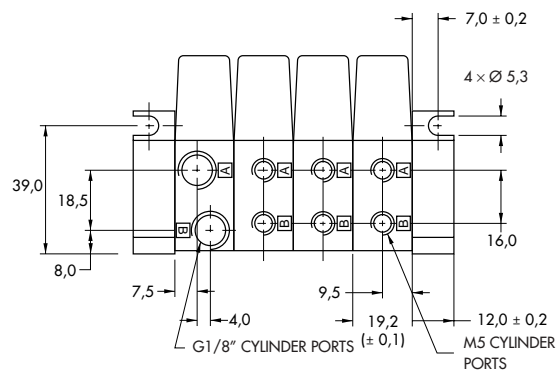
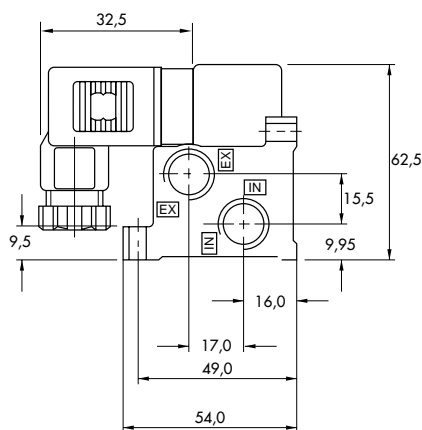
TECHNICAL
DATA

Fluid :	Compressed air, vacuum, inert gases		
Pressure range :	Vacuum to 8.5 bar		
Lubrication :	Not required, if used select a medium aniline point lubricant (between 80°C and 100°C)		
Filtration :	40 µ		
Temperature range :	-18°C to +50°C		
Orifice :	2 mm		
Flow (at 6 bar, ΔP=1 bar) :	1.8 W : 140 NI/min (C _v 0.14) - 5.4 to 12.7 W : 200 NI/min (C _v 0.2)		
Leak rate :	50 cm ³ /min		
Coil :	Epoxy encapsulated - class A wires - 100% ED (specify mod 0449)		
Voltage range :	-15% to +10% of nominal voltage		
Protection :	IP 65		
Power :	~ Inrush : 10.9 VA Holding : 7.7 VA = 1.8 to 12.7 W		
Response times :	24 V=5.4 W	Energize : 6 ms	De-energize : 2 ms
	50Hz/6 W	Energize : 3-8 ms	De-energize : 2-7 ms

- Spare parts :
- Solenoid operator (power ≥ 5.4 W) : 45A-000-DXXX-XXX, including mounting screws 35013.
 - Seal (between solenoid and valve body) : 16402. • Seal between valves : 16422. • Tie-rod (x2) : 19813.
 - Valve cover plate with flow controls : N-45004.

- Options :
- NPTF threads. • High flow up to 300 NI/min, according to wattage. • Isolation of inlet and/or exhaust.

DIMENSIONS



Function	Port size	Flow [Max]	Manifold mounting
4/2	M5 - G1/8"	110 NI/min	sub-base

OPERATIONAL BENEFITS

- Balanced poppet, immune to variations of pressure.
- Short stroke with high flow.
- The patented solenoid develops high shifting forces.
- Powerful return spring.
- Manual operator standard on all valves.
- Burn-out proof solenoid on AC service.


HOW TO ORDER
Reset
45A-xxx-Dxxx-xxx

Port size	Single operator	Double operator (Minimum DC wattage 5,4W)
Valve less base	<input type="radio"/> 45A-L00-Dxxx-xxx	<input type="radio"/> 45A-N00-Dxxx-xxx
G 1/8" base	<input type="radio"/> 45A-LCC-Dxxx-xxx	<input type="radio"/> 45A-NCC-Dxxx-xxx
M5 base	<input type="radio"/> 45A-LDC-Dxxx-xxx	<input type="radio"/> 45A-NDC-Dxxx-xxx

WITH INTEGRATED FLOW REGULATORS

Port size	Single operator	Double operator (Minimum DC wattage 5,4W)
Valve less base	<input type="radio"/> 45A-L00-Dxxx-xxx	<input type="radio"/> 45A-N00-Dxxx-xxx
G 1/8" base	<input type="radio"/> 45A-LCD-Dxxx-xxx	<input type="radio"/> 45A-NCD-Dxxx-xxx
M5 base	<input type="radio"/> 45A-LDD-Dxxx-xxx	<input type="radio"/> 45A-NDD-Dxxx-xxx

SOLENOID OPERATOR >
D XX X- X XX*

XX	Voltage	X	Wire length	X	Manual operator	XX	Electrical connection
<input type="radio"/> AB	220V~/50HZ	<input type="radio"/> A	45 cm (Flying leads)	<input type="radio"/> 1	Non-locking	<input type="radio"/> KA	Square connector
<input type="radio"/> AA	110V~/50HZ	<input type="radio"/> J	Connector	<input type="radio"/> 2	Locking	<input type="radio"/> KD	Square connector with light
<input type="radio"/> AC	24V~/50HZ	<input type="radio"/> x	Other Options	<input type="radio"/> x	Other Options	<input type="radio"/> BA	Flying leads
<input type="radio"/> FB	24V=/1,8W					<input type="radio"/> xx	Other Options
<input type="radio"/> DA	24V=/5,4W						
<input type="radio"/> DF	24V=/12,7W						
<input type="radio"/> xx	Other Options						

End plate kit (Port size G1/4") : M-45008-01P

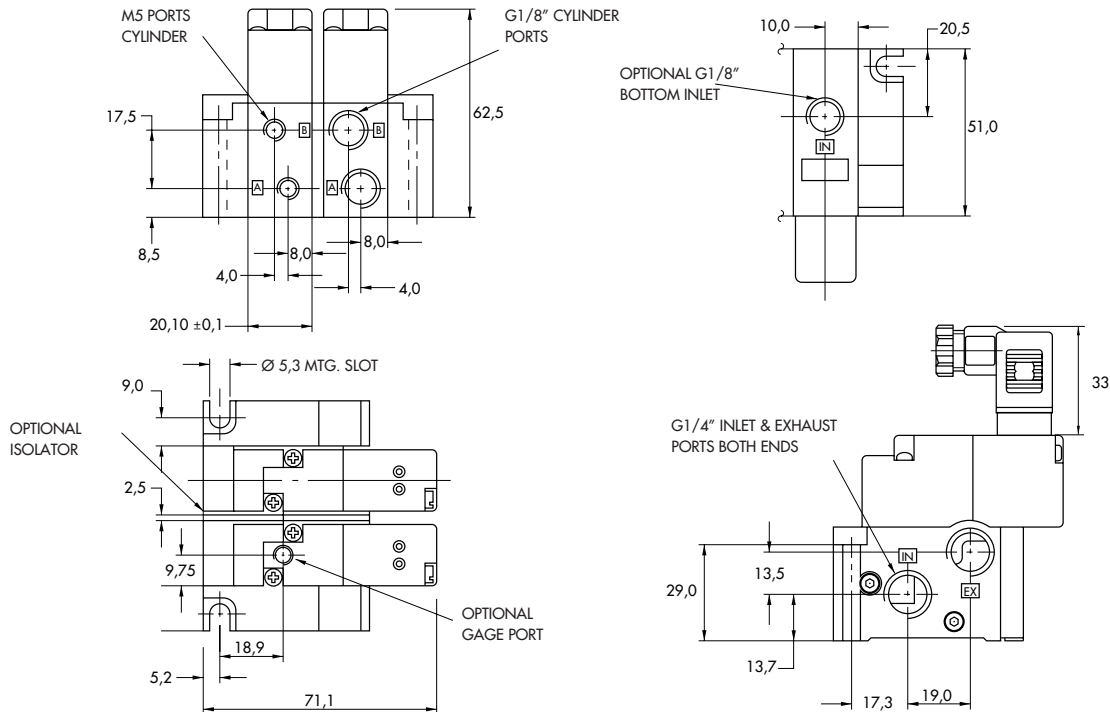
**TECHNICAL
DATA**

Fluid :	Compressed air, vacuum, inert gases		
Pressure range :	Vacuum to 8.5 bar		
Lubrication :	Not required, if used select a medium aniline point lubricant (between 80°C and 100°C)		
Filtration :	40 µ		
Temperature range :	-18°C to +50°C		
Orifice :	2 mm		
Flow (at 6 bar, ΔP=1 bar) :	1.8 W : 90 NI/min (C _v 0.09) - 5.4 to 12.7 W : 110 NI/min (C _v 0.11)		
Leak rate :	50 cm ³ /min		
Coil :	Epoxy encapsulated - class A wires - 100% ED (specify mod 0449)		
Voltage range :	-15% to +10% of nominal voltage		
Protection :	IP 65		
Power :	~ Inrush : 10.9 VA Holding : 7.7 VA = 1.8 to 12.7 W		
Response times :	24 V=5.4 W	Energize : 6 ms	De-energize : 2 ms
	50Hz/6 W	Energize : 3-8 ms	De-energize : 2-7 ms

Spare parts : • Solenoid operator (power ≥ 5.4 W) : 45A-000-DXXX-XXX, including mounting screws 35013.
 • Seal (between solenoid and valve body) : 16402. • Seal between base and valve : 16453. • Seal between bases : 16455.
 • Tie-rod (x2) : 19753. • Side cover plate with flow controls : N-45016.

Options : • NPTF threads. • High flow up to 180 NI/min, according to wattage. • Isolation of inlet and/or exhaust.

DIMENSIONS



Function	Port size	Flow [Max]	Manifold mounting
4/2	M5 - G1/8"	110 NI/min	sub-base with pressure regulators

OPERATIONAL BENEFITS

- Balanced poppet, immune to variations of pressure.
- Short stroke with high flow.
- The patented solenoid develops high shifting forces.
- Powerful return spring.
- Manual operator standard on all valves.
- Burn-out proof solenoid on AC service.


HOW TO ORDER

45A-xxx-Dxxx-xxx

Port size	Single operator	Double operator (Minimum DC wattage 5,4W)
Valve less base	<input type="radio"/> 45A-L00-Dxxx-xxx	<input type="radio"/> 45A-N00-Dxxx-xxx
G 1/8" base	<input type="radio"/> 45A-LCJ-Dxxx-xxx	<input type="radio"/> 45A-NCJ-Dxxx-xxx
M5 base	<input type="radio"/> 45A-LDJ-Dxxx-xxx	<input type="radio"/> 45A-NDJ-Dxxx-xxx

SOLENOID OPERATOR >
D XX X- X XX*

XX	Voltage	X	Wire length	X	Manual operator	XX	Electrical connection
<input type="radio"/> AB	220V~/50HZ	<input type="radio"/> A	45 cm (Flying leads)	<input type="radio"/> 1	Non-locking	<input type="radio"/> KA	Square connector
<input type="radio"/> AA	110V~/50HZ	<input type="radio"/> J	Connector	<input type="radio"/> 2	Locking	<input type="radio"/> KP	Square connector with light
<input type="radio"/> AC	24V~/50HZ	<input type="radio"/> x	Other Options	<input type="radio"/> x	Other Options	<input type="radio"/> BA	Flying leads
<input type="radio"/> FB	24V=/1,8W					<input type="radio"/> xx	Other Options
<input type="radio"/> DA	24V=/5,4W						
<input type="radio"/> DF	24V=/12,7W						
<input type="radio"/> xx	Other Options						

End plate kit (Port size G1/4") : M-45008-01P.

- click for gauge port : Single operator : replace L by M.
 Double operator : replace N by P.

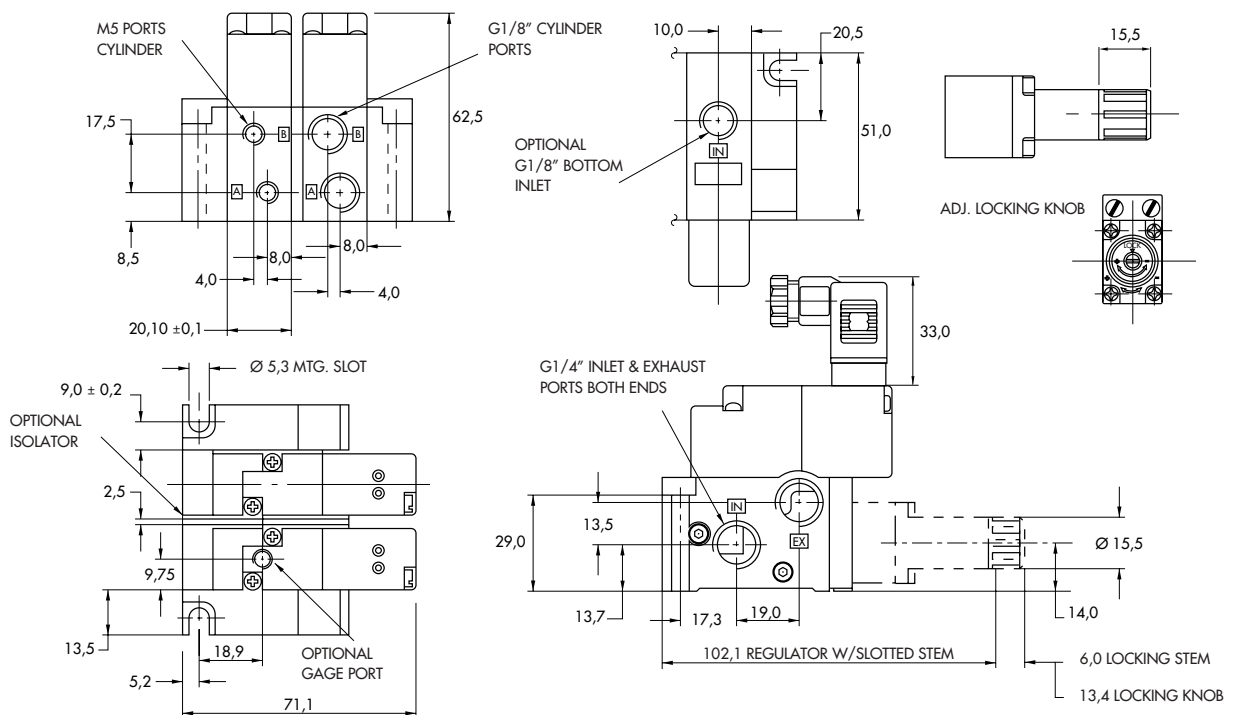
TECHNICAL
DATA

Fluid :	Compressed air, vacuum, inert gases		
Pressure range :	Vacuum to 8.5 bar		
Lubrication :	Not required, if used select a medium aniline point lubricant (between 80°C and 100°C)		
Filtration :	40 µ		
Temperature range :	-18°C to +50°C		
Orifice :	2 mm		
Flow (at 6 bar, ΔP=1 bar) :	1.8 W : 90 NI/min (C _v 0.09) - 5.4 to 12.7 W : 110 NI/min (C _v 0.11)		
Leak rate :	50 cm ³ /min		
Coil :	Epoxy encapsulated - class A wires - 100% ED (specify mod 0449)		
Voltage range :	-15% to +10% of nominal voltage		
Protection :	IP 65		
Power :	~ Inrush : 10.9 VA Holding : 7.7 VA = 1.8 to 12.7 W		
Response times :	24 V=5.4 W	Energize : 6 ms	De-energize : 2 ms
	50Hz/6 W	Energize : 3-8 ms	De-energize : 2-7 ms

Spare parts : • Solenoid operator (power ≥ 5.4 W) : 45A-000-DXXX-XXX, including mounting screws 35013.
 • Seal (between solenoid and valve body) : 16402. • Seal between base and valve : 16453. • Seal between bases : 16455.
 • Tie-rod (x2) : 19753. • Pressure regulator : 45A-00R.

Options : • NPTF threads. • High flow up to 180 NI/min, according to wattage. • Isolation of inlet and/or exhaust.

DIMENSIONS



Function	Port size	Flow [Max]	Manifold mounting
4/2	M5 - G1/8"	110 NI/min	sub-base with pressure and flow regulators

OPERATIONAL BENEFITS

- Balanced poppet, immune to variations of pressure.
- Short stroke with high flow.
- The patented solenoid develops high shifting forces.
- Powerful return spring.
- Manual operator standard on all valves.
- Burn-out proof solenoid on AC service.


HOW TO ORDER

45A-xxx-Dxxx-xxx

Port size	Single operator	Double operator (Minimum DC wattage 5,4W)
Valve less base	<input type="radio"/> 45A-L00-Dxxx-xxx	<input type="radio"/> 45A-N00-Dxxx-xxx
G 1/8" base	<input type="radio"/> 45A-LCK-Dxxx-xxx	<input type="radio"/> 45A-NCK-Dxxx-xxx
M5 base	<input type="radio"/> 45A-LDK-Dxxx-xxx	<input type="radio"/> 45A-NDK-Dxxx-xxx

SOLENOID OPERATOR >
D XX X- X XX*

XX	Voltage	XX	Wire length	X	Manual operator	XX	Electrical connection
<input type="radio"/> AB	220V~/50HZ	<input type="radio"/> A	45 cm (Flying leads)	<input type="radio"/> 1	Non-locking	<input type="radio"/> KA	Square connector
<input type="radio"/> AA	110V~/50HZ	<input type="radio"/> J	Connector	<input type="radio"/> 2	Locking	<input type="radio"/> KD	Square connector with light
<input type="radio"/> AC	24V~/50HZ	<input type="radio"/> x	Other Options	<input type="radio"/> x	Other Options	<input type="radio"/> BA	Flying leads
<input type="radio"/> FB	24V=/1,8W					<input type="radio"/> xx	Other Options
<input type="radio"/> DA	24V=/5,4W						
<input type="radio"/> DF	24V=/12,7W						
<input type="radio"/> xx	Other Options						

End plate kit (Port size G1/4") : M-45008-01P.

- click for gauge port : Single operator : replace L by M
 Double operator : replace N by P.

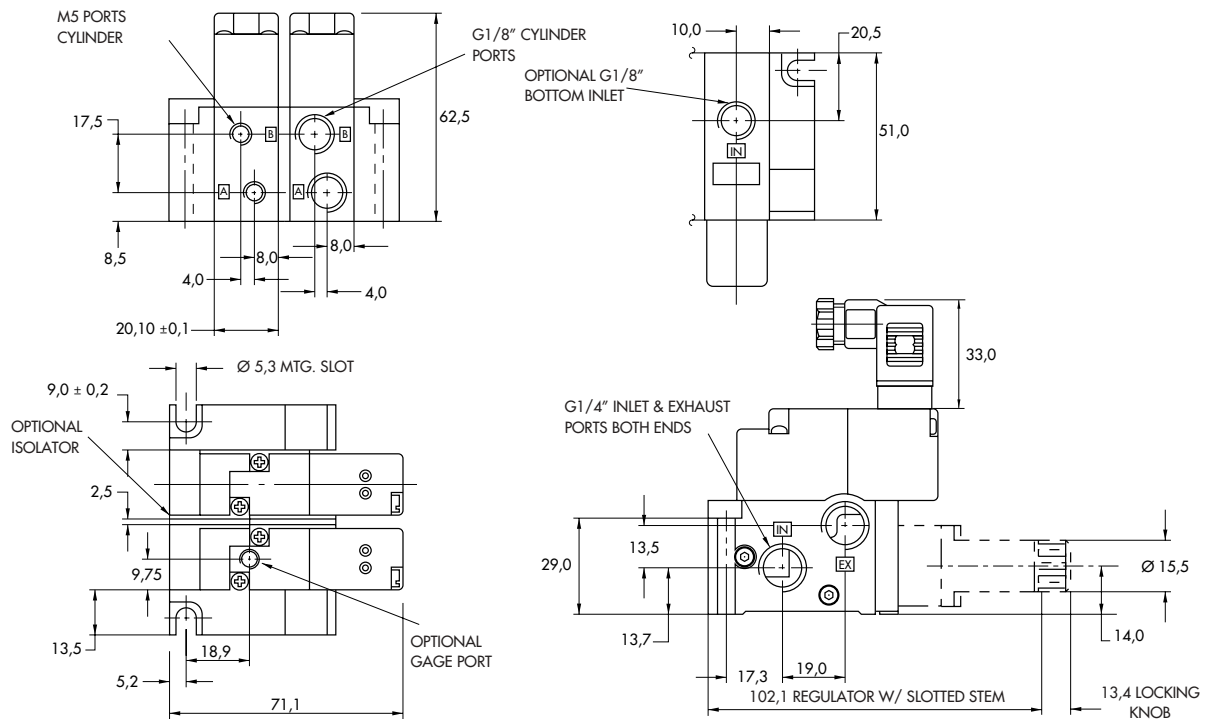
TECHNICAL
DATA

Fluid :	Compressed air, vacuum, inert gases		
Pressure range :	Vacuum to 8.5 bar		
Lubrication :	Not required, if used select a medium aniline point lubricant (between 80°C and 100°C)		
Filtration :	40 µ		
Temperature range :	-18°C to +50°C		
Orifice :	2 mm		
Flow (at 6 bar, ΔP=1 bar) :	1.8 W : 90 NI/min (C _v 0.09) - 5.4 to 12.7 W : 110 NI/min (C _v 0.11)		
Leak rate :	50 cm ³ /min		
Coil :	Epoxy encapsulated - class A wires - 100% ED (specify mod 0449)		
Voltage range :	-15% to +10% of nominal voltage		
Protection :	IP 65		
Power :	~ Inrush : 10.9 VA Holding : 7.7 VA = 1.8 to 12.7 W		
Response times :	24 V=5.4 W	Energize : 6 ms	De-energize : 2 ms
	50Hz/6 W	Energize : 3-8 ms	De-energize : 2-7 ms

Spare parts : • Solenoid operator (power ≥ 5.4 W) : 45A-000-DXXX-XXX, including mounting screws 35013.
 • Seal (between solenoid and valve body) : 16402. • Seal between base and valve : 16453. • Seal between bases : 16455.
 • Tie-rod (x2) : 19753. • Pressure regulator : 45A-00R. • Side cover plate with flow controls : N-45016.

Options : • NPTF threads. • High flow up to 180 NI/min, according to wattage. • Isolation of inlet and/or exhaust.

DIMENSIONS



Function	Port size	Flow [Max]	Circuit bar mounting
4/2	M5 - G1/8"	100 NI/min	cylinder ports in base

OPERATIONAL BENEFITS

- Balanced poppet, immune to variations of pressure.
- Short stroke with high flow.
- The patented solenoid develops high shifting forces.
- Powerful return spring.
- Manual operator standard on all valves.
- Burn-out proof solenoid on AC service.


HOW TO ORDER

45A-xxx-Dxxx-xxx
HOW TO ORDER VALVE FOR CIRCUIT BAR MOUNTING

Single operator	Double operator (Minimum DC wattage 5,4W)
<input type="radio"/> 45A-L00-Dxxx-xxx	<input type="radio"/> 45A-N00-Dxxx-xxx

SOLENOID OPERATOR

D XX X- X XX *			
XX Voltage	X Wire length	X Manual operator	XX Electrical connection
<input type="radio"/> AB 220V~/50HZ	<input type="radio"/> A 45 cm (Flying leads)	<input type="radio"/> 1 Non-locking	<input type="radio"/> KA Square connector
<input type="radio"/> AA 110V~/50HZ	<input type="radio"/> J Connector	<input type="radio"/> 2 Locking	<input type="radio"/> KD Square connector with light
<input type="radio"/> AC 24V~/50HZ	<input type="radio"/> x Other Options	<input type="radio"/> x Other Options	<input type="radio"/> BA Flying leads
<input type="radio"/> FB 24V=/1,8W			<input type="radio"/> xx Other Options
<input type="radio"/> DA 24V=/5,4W			
<input type="radio"/> DF 24V=/12,7W			
<input type="radio"/> xx Other Options			

HOW TO ORDER CIRCUIT BAR**
EBM45A-xxxx-xx

Port size	Spacing mm	Side cylinder ports	Bottom cylinder ports
M5	21	<input type="radio"/> EBM45A-001D-xx	<input type="radio"/> EBM45A-002D-xx
G1/8"	21	<input type="radio"/> EBM45A-001C-xx	<input type="radio"/> EBM45A-002C-xx

HOW TO ORDER CIRCUIT BAR WITH FLOW REGULATORS **

Port size	Spacing mm	Side cylinder ports	Bottom cylinder ports
M5	26	<input type="radio"/> EBM45A-015D-xx	<input type="radio"/> EBM45A-016D-xx
G1/8"	26	<input type="radio"/> EBM45A-015C-xx	<input type="radio"/> EBM45A-016C-xx
M5	40	<input type="radio"/> EBM45A-025D-xx	<input type="radio"/> EBM45A-026D-xx
G1/8"	40	<input type="radio"/> EBM45A-025C-xx	<input type="radio"/> EBM45A-026C-xx

** Other options available. Consult factory.

 Number of stations (03=3 stations)

 Note click for valves mounted on base at the factory (add - 9 to the model number).

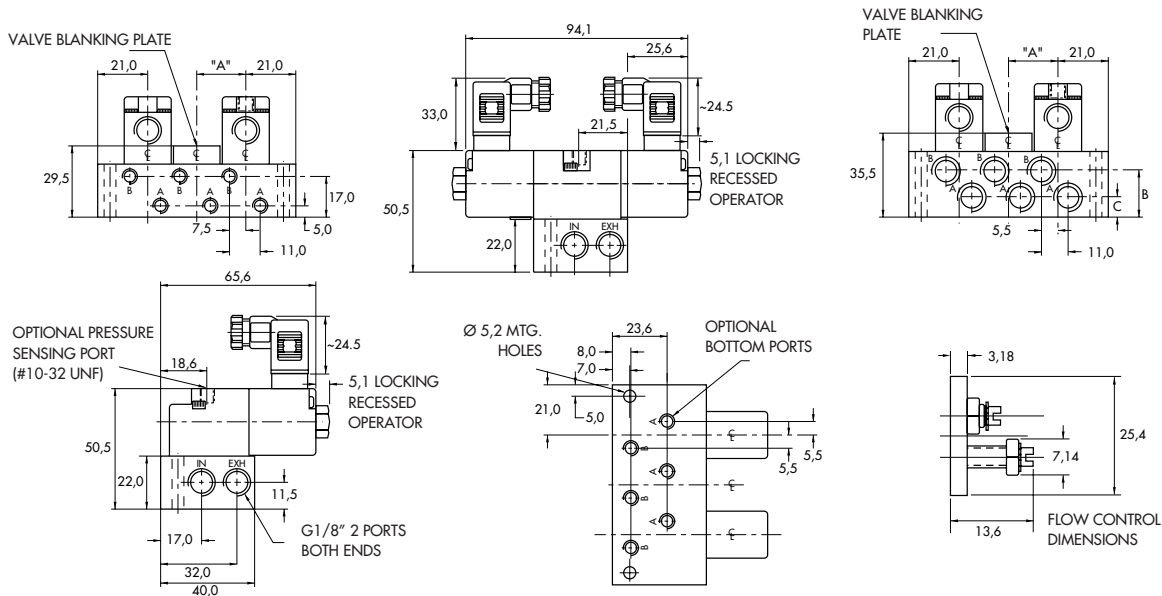
**TECHNICAL
DATA**

Fluid :	Compressed air, vacuum, inert gases		
Pressure range :	Vacuum to 8.5 bar		
Lubrication :	Not required, if used select a medium aniline point lubricant (between 80°C and 100°C)		
Filtration :	40 µ		
Temperature range :	-18°C to +50°C		
Orifice :	2 mm		
Flow (at 6 bar, ΔP=1 bar) :	1.8 W : 80 NI/min (C _v 0.08) - 5.4 to 12.7 W : 100 NI/min (C _v 0.1)		
Leak rate :	50 cm ³ /min		
Coil :	Epoxy encapsulated - class A wires - 100% ED (specify mod 0449)		
Voltage range :	-15% to +10% of nominal voltage		
Protection :	IP 65		
Power :	~ Inrush : 10.9 VA Holding : 7.7 VA = 1.8 to 12.7 W		
Response times :	24 V=5.4 W	Energize : 6 ms	De-energize : 2 ms
	50Hz/6 W	Energize : 3-8 ms	De-energize : 2-7 m

Spare parts :
 • Solenoid operator (power ≥ 5.4 W) : 45A-000-DXXX-XXX, including mounting screws 35013.
 • Seal between solenoid and valve body : 16402. • Seal between base and valve : 16453.
 • Valve mounting screw (x2) : 35020. • Blanking plate : M-45010.

Options :
 • NPTF threads. • High flow up to 170 NI/min, according to wattage. • Isolation of inlet and/or exhaust.

DIMENSIONS



SPACING SIZE	A
STANDARD	21,0
PER JB	26,0

PORT SIZE	B	C
G1/8"	20,0	8,0
M5	22,0	6,0

Function	Port size	Flow [Max]	Circuit bar mounting
4/2	M5 - G1/8"	100 NI/min	with pressure regulators

OPERATIONAL BENEFITS

- Balanced poppet, immune to variations of pressure.
- Short stroke with high flow.
- The patented solenoid develops high shifting forces.
- Powerful return spring.
- Manual operator standard on all valves.
- Burn-out proof solenoid on AC service.



HOW TO ORDER

Reset

45A-xxx-Dxxx-xxx

HOW TO ORDER VALVE FOR CIRCUIT BAR MOUNTING

	Single operator	Double operator (Minimum DC wattage 5,4W)
Valve w/o gauge port	<input type="radio"/> 45A-100-Dxxx-xxx	<input type="radio"/> 45A-N00-Dxxx-xxx
Valve w/ gauge port	<input type="radio"/> 45A-M00-Dxxx-xxx	<input type="radio"/> 45A-P00-Dxxx-xxx

SOLENOID OPERATOR >

D **XX X- X XX**

XX Voltage	X Wire length	X Manual operator	XX Electrical connection
<input type="radio"/> AB 220V~/50HZ	<input type="radio"/> A 45 cm (Flying leads)	<input type="radio"/> 1 Non-locking	<input type="radio"/> KA Square connector
<input type="radio"/> AA 110V~/50HZ	<input type="radio"/> J Connector	<input type="radio"/> 2 Locking	<input type="radio"/> KD Square connector with light
<input type="radio"/> AC 24V~/50HZ	<input type="radio"/> x Other Options	<input type="radio"/> x Other Options	<input type="radio"/> BA Flying leads
<input type="radio"/> FB 24V=/1,8W			<input type="radio"/> xx Other Options
<input type="radio"/> DA 24V=/5,4W			
<input type="radio"/> DF 24V=/12,7W			
<input type="radio"/> xx Other Options			

HOW TO ORDER CIRCUIT BAR WITH PRESSURE REGULATORS (TO BE ORDERED SEPARATELY) **

EBM45A-xxxx-xx

Port size	Spacing mm	Side cylinder ports	Bottom cylinder ports
M5	26 (w/o gauge)	<input type="radio"/> EBM45A-013D-xx	<input type="radio"/> EBM45A-014D-xx
G1/8"	26 (w/o gauge)	<input type="radio"/> EBM45A-013C-xx	<input type="radio"/> EBM45A-014C-xx
M5	40 (w/ gauge)	<input type="radio"/> EBM45A-023D-xx	<input type="radio"/> EBM45A-024D-xx
G1/8"	40 (w/ gauge)	<input type="radio"/> EBM45A-023C-xx	<input type="radio"/> EBM45A-024C-xx

** Other options available. Consult factory.

Pressure regulator : 35A-00M.

Note click for valves mounted on base at the factory (add - 9 to the model number).

Number of stations (03=3 stations)

**TECHNICAL
DATA**

Fluid :	Compressed air, vacuum, inert gases		
Pressure range :	Vacuum to 8.5 bar		
Lubrication :	Not required, if used select a medium aniline point lubricant (between 80°C and 100°C)		
Filtration :	40 µ		
Temperature range :	-18°C to +50°C		
Orifice :	2 mm		
Flow (at 6 bar, ΔP=1 bar) :	1.8 W : 80 NI/min (C _v 0.08) - 5.4 to 12.7 W : 100 NI/min (C _v 0.1)		
Leak rate :	50 cm ³ /min		
Coil :	Epoxy encapsulated - class A wires - 100% ED (specify mod 0449)		
Voltage range :	-15% to +10% of nominal voltage		
Protection :	IP 65		
Power :	~ Inrush : 10.9 VA Holding : 7.7 VA = 1.8 to 12.7 W		
Response times :	24 V=5.4 W	Energize : 6 ms	De-energize : 2 ms
	50Hz/6 W	Energize : 3-8 ms	De-energize : 2-7 ms

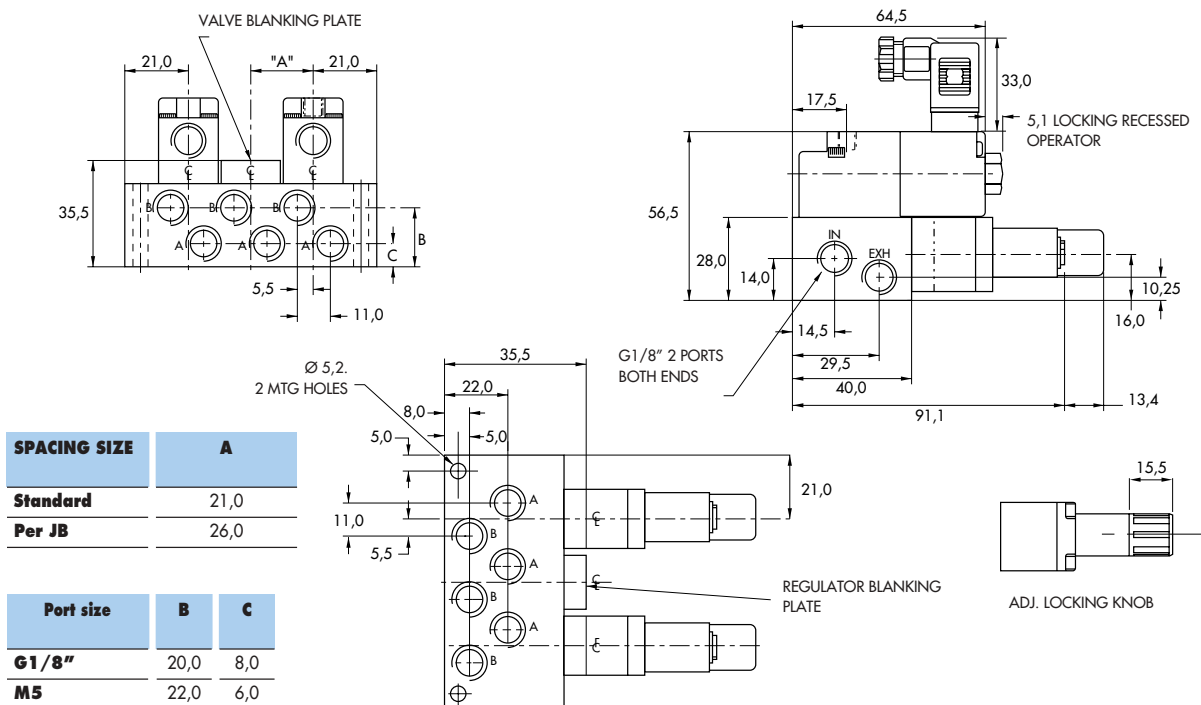
Spare parts :

- Solenoid operator (power ≥ 5.4 W) : 45A-000-DXXX-XXX, including mounting screws 35013.
- Seal between solenoid and valve body : 16402. • Seal between base and valve : 16453. • Valve mounting screw (x2) : 35020.
- Blanking plate valve : M-45010. • Blanking plate regulator : M-35005.

Options :

- NPTF threads. • High flow up to 170 NI/min, according to wattage. • Isolation of inlet and/or exhaust.

DIMENSIONS



SPACING SIZE	A
Standard	21,0
Per JB	26,0

Port size	B	C
G1/8"	20,0	8,0
M5	22,0	6,0

Function	Port size	Flow [Max]	Circuit bar mounting
4/2	M5 - G1/8"	100 NI/min	"plug-in"

OPERATIONAL BENEFITS

- Balanced poppet, immune to variations of pressure.
- Short stroke with high flow.
- The patented solenoid develops high shifting forces.
- Powerful return spring.
- Manual operator standard on all valves.
- Burn-out proof solenoid on AC service.



HOW TO ORDER

Reset

45A-xxx-DxxJ-xFM

HOW TO ORDER VALVE FOR CIRCUIT BAR MOUNTING "PLUG-IN"

Single operator	Double operator (Minimum DC wattage 5,4W)
<input type="radio"/> 45A-L00-DxxJ-xFM	<input type="radio"/> 45A-N00-DxxJ-xFM

SOLENOID OPERATOR >

D **XX** J- **X** FM*

XX Voltage	X Manual operator
<input type="radio"/> AB 220V~/50Hz	<input type="radio"/> 1 Non-locking
<input type="radio"/> AA 110V~/50Hz	<input type="radio"/> 2 Locking
<input type="radio"/> AC 24V~/50Hz	<input type="radio"/> x Other Options
<input type="radio"/> FB 24V=/1,8W	
<input type="radio"/> DA 24V=/5,4W	
<input type="radio"/> DF 24V=/12,7W	
<input type="radio"/> xx Other Options	

HOW TO ORDER "PLUG-IN" CIRCUIT BAR**

ECD45A-xxxx-xx-xx

Port size	Spacing mm	Side cylinder ports	Bottom cylinder ports
M5	21	<input type="radio"/> ECD45A-001D-A0-xx	<input type="radio"/> ECD45A-002D-A0-xx
G1/8"	21	<input type="radio"/> ECD45A-001C-A0-xx	<input type="radio"/> ECD45A-002C-A0-xx

- ** without light (A0)
 with light 220V~/50Hz (AB)
 with light 24V= (AD)

Other options available. Consult factory.

Number of stations (03=3 stations)

Note for valves mounted on base at the factory (add - 9 to the model number).

OPTIONS

ECD45A-002D-A0-xx

click for double operator valve (replace by 8). (Bottom cylinder ports)

TECHNICAL
DATA

Fluid :	Compressed air, vacuum, inert gases		
Pressure range :	Vacuum to 8.5 bar		
Lubrication :	Not required, if used select a medium aniline point lubricant (between 80°C and 100°C)		
Filtration :	40 µ		
Temperature range :	-18°C to +50°C		
Orifice :	2 mm		
Flow (at 6 bar, ΔP=1 bar) :	1.8 W : 80 NI/min (C _v 0.08) - 5.4 to 12.7 W : 100 NI/min (C _v 0.1)		
Leak rate :	50 cm ³ /min		
Coil :	Epoxy encapsulated - class A wires - 100 % ED (specify mod 0449)		
Voltage range :	-15% to +10% of nominal voltage		
Protection :	IP 65		
Power :	~ Inrush : 10.9 VA Holding : 7.7 VA = 1.8 to 12.7 W		
Response times :	24 V=5.4 W	Energize : 6 ms	De-energize : 2 ms
	50Hz/6 W	Energize : 3-8 ms	De-energize : 2-7 ms

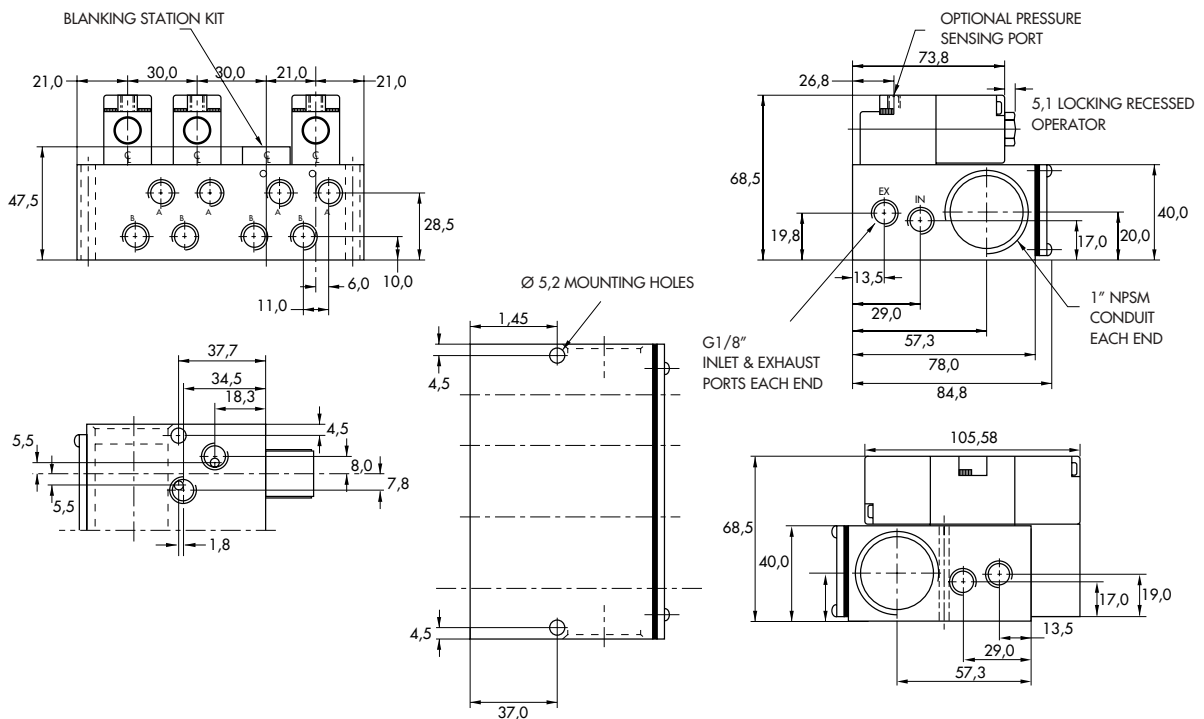
Spare parts :

- Solenoid operator (power ≥ 5.4 W) : 45A-000-DXXJ-XFM, including mounting screws 35013.
- Seal (between solenoid and valve body) : 16402. • Seal between base and valve : 16453.
- Valve mounting screw (x2) : 35020. • Blanking plate valve : E101.

Options :

- NPTF threads. • High flow up to 170 NI/min, according to wattage. • Isolation of inlet and/or exhaust.

DIMENSIONS



Function	Port size	Flow [Max]	Circuit bar mounting
4/2	M5 - G1/8"	100 NI/min	"plug-in" with pressure regulators

OPERATIONAL BENEFITS

1. Balanced poppet, immune to variations of pressure.
2. Short stroke with high flow.
3. The patented solenoid develops high shifting forces.
4. Powerful return spring.
5. Manual operator standard on all valves.
6. Burn-out proof solenoid on AC service.



HOW TO ORDER

Reset

45A-xxx-DxxJ-xFM

HOW TO ORDER VALVE FOR "PLUG-IN" CIRCUIT BAR

Single operator	Double operator (Minimum DC wattage 5,4W)
<input type="radio"/> 45A-L00-DxxJ-xFM	<input type="radio"/> 45A-N00-DxxJ-xFM

SOLENOID OPERATOR >

D **XX** J- **X** FM*

XX Voltage	X Manual operator
<input type="radio"/> AB 220V~/50Hz	<input type="radio"/> 1 Non-locking
<input type="radio"/> AA 110V~/50Hz	<input type="radio"/> 2 Locking
<input type="radio"/> AC 24V~/50Hz	<input type="radio"/> x Other Options
<input type="radio"/> FB 24V=/1,8W	
<input type="radio"/> DA 24V=/5,4W	
<input type="radio"/> DF 24V=/12,7W	
<input type="radio"/> xx Other Options	

HOW TO ORDER CIRCUIT BAR WITH PRESSURE REGULATORS (TO BE ORDERED SEPARATELY) **

ECD45A-xxxx-xx-xx

Port size	Spacing mm	Bottom cylinder ports
M5	21	<input type="radio"/> ECD45A-004D-A0-xx
G1/8"	21	<input type="radio"/> ECD45A-004C-A0-xx
M5	26	<input type="radio"/> ECD45A-014D-A0-xx
G1/8"	26	<input type="radio"/> ECD45A-014C-A0-xx
M5	40	<input type="radio"/> ECD45A-024D-A0-xx
G1/8"	40	<input type="radio"/> ECD45A-024C-A0-xx

- ** without light (A0)
- with light 220V~/50Hz (AB)
- with light 24V= (AD)

Other options available. Consult factory.

Pressure regulator : 35A-00M

Note click for valves mounted on base at the factory (add - 9 to the model number).

Number of stations (03=3 stations)

TECHNICAL
DATA

Fluid :	Compressed air, vacuum, inert gases		
Pressure range :	Vacuum to 8.5 bar		
Lubrication :	Not required, if used select a medium aniline point lubricant (between 80°C and 100°C)		
Filtration :	40 µ		
Temperature range :	-18°C to +50°C		
Orifice :	2 mm		
Flow (at 6 bar, ΔP=1 bar) :	1.8 W : 80 NI/min (C _v 0.08) - 5.4 to 12.7 W : 100 NI/min (C _v 0.1)		
Leak rate :	50 cm ³ /min		
Coil :	Epoxy encapsulated - class A wires - 100% ED (specify mod 0449)		
Voltage range :	-15% to +10% of nominal voltage		
Protection :	IP 65		
Power :	~ Inrush : 10.9 VA Holding : 7.7 VA = 1.8 to 12.7 W		
Response times :	24 V=5.4 W	Energize : 6 ms	De-energize : 2 ms
	50Hz/6 W	Energize : 3-8 ms	De-energize : 2-7 ms

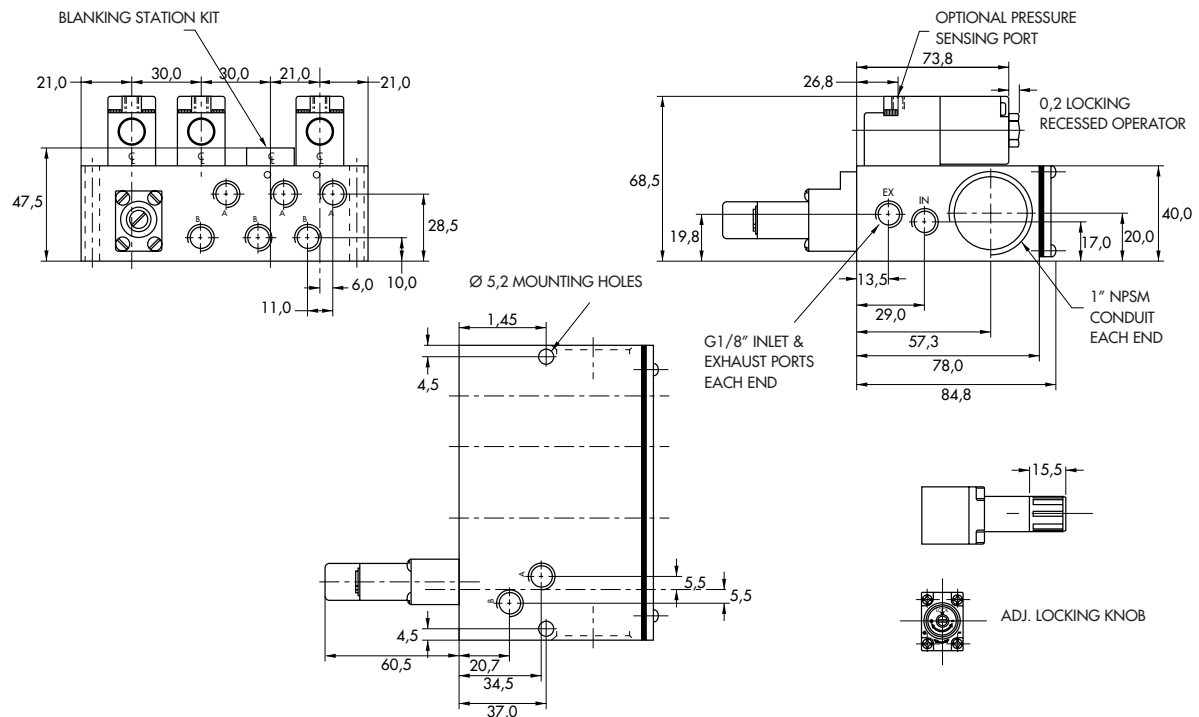
Spare parts :

- Solenoid operator (power ≥ 5.4 W) : 45A-000-DXXJ-XFM, including mounting screws 35013.
- Seal (between solenoid and valve body) : 16402. • Seal between base and valve : 16453.
- Valve mounting screw (x2) : 35020. • Blanking plate valve : E101. • Blanking plate regulator : M-35005.

Options :

- NPTF threads. • High flow up to 170 NI/min, according to wattage. • Isolation of inlet and/or exhaust.

DIMENSIONS



Function	Port size	Flow [Max]	Circuit bar mounting
4/2	M5 - G1/8"	100 NI/min	"plug-in" with flow regulators

OPERATIONAL BENEFITS

1. Balanced poppet, immune to variations of pressure.
2. Short stroke with high flow.
3. The patented solenoid develops high shifting forces.
4. Powerful return spring.
5. Manual operator standard on all valves.
6. Burn-out proof solenoid on AC service.



HOW TO ORDER

Reset

45A-xxx-DxxJ-xFM

HOW TO ORDER VALVE FOR CIRCUIT BAR MOUNTING "PLUG-IN"

Single operator	Double operator (Minimum DC wattage 5,4W)
 <input type="radio"/> 45A-L00-Dxxx-xFM	 <input type="radio"/> 45A-N00-Dxxx-xFM

SOLENOID OPERATOR >

D **XX** J- **X** FM*

XX Voltage	X Manual operator
<input type="radio"/> AB 220V~/50Hz	<input type="radio"/> 1 Non-locking
<input type="radio"/> AA 110V~/50Hz	<input type="radio"/> 2 Locking
<input type="radio"/> AC 24V~/50Hz	<input type="radio"/> x Other Options
<input type="radio"/> FB 24V=/1,8W	
<input type="radio"/> DA 24V=/5,4W	
<input type="radio"/> DF 24V=/12,7W	
<input type="radio"/> xx Other Options	

HOW TO ORDER "PLUG-IN" CIRCUIT BAR WITH FLOW REGULATORS **

ECD45A-xxxx-xx-xx

Port size	Spacing mm	Side cylinder ports	Bottom cylinder ports
M5	26	-----	<input type="radio"/> ECD45A-016D-A0-xx
G1/8"	26	-----	<input type="radio"/> ECD45A-016C-A0-xx
M5	40	-----	<input type="radio"/> ECD45A-026D-A0-xx
G1/8"	40	-----	<input type="radio"/> ECD45A-026C-A0-xx
M5	30	<input type="radio"/> ECD45A-035D-A0-xx	-----
G1/8"	30	<input type="radio"/> ECD45A-035C-A0-xx	-----

- ** without light (A0)
 with light 220V~/50Hz (AB)
 with light 24V= (AD)

Other options available. Consult factory.

Number of stations (03=3 stations)

Note click for valves mounted on base at the factory (add - 9 to the model number).

**TECHNICAL
DATA**

Fluid :	Compressed air, vacuum, inert gases		
Pressure range :	Vacuum to 8.5 bar		
Lubrication :	Not required, if used select a medium aniline point lubricant (between 80°C and 100°C)		
Filtration :	40 µ		
Temperature range :	-18°C to +50°C		
Orifice :	2 mm		
Flow (at 6 bar, ΔP=1 bar) :	1.8 W : 80 NI/min (C _v 0.08) - 5.4 to 12.7 W : 100 NI/min (C _v 0.1)		
Leak rate :	50 cm ³ /min		
Coil :	Epoxy encapsulated - class A wires - 100% ED (specify mod 0449)		
Voltage range :	-15% to +10% of nominal voltage		
Protection :	IP 65		
Power :	~ Inrush : 10.9 VA Holding : 7.7 VA = 1.8 to 12.7 W		
Response times :	24 V=5.4 W	Energize : 6 ms	De-energize : 2 ms
	50Hz/6 W	Energize : 3-8 ms	De-energize : 2-7 ms

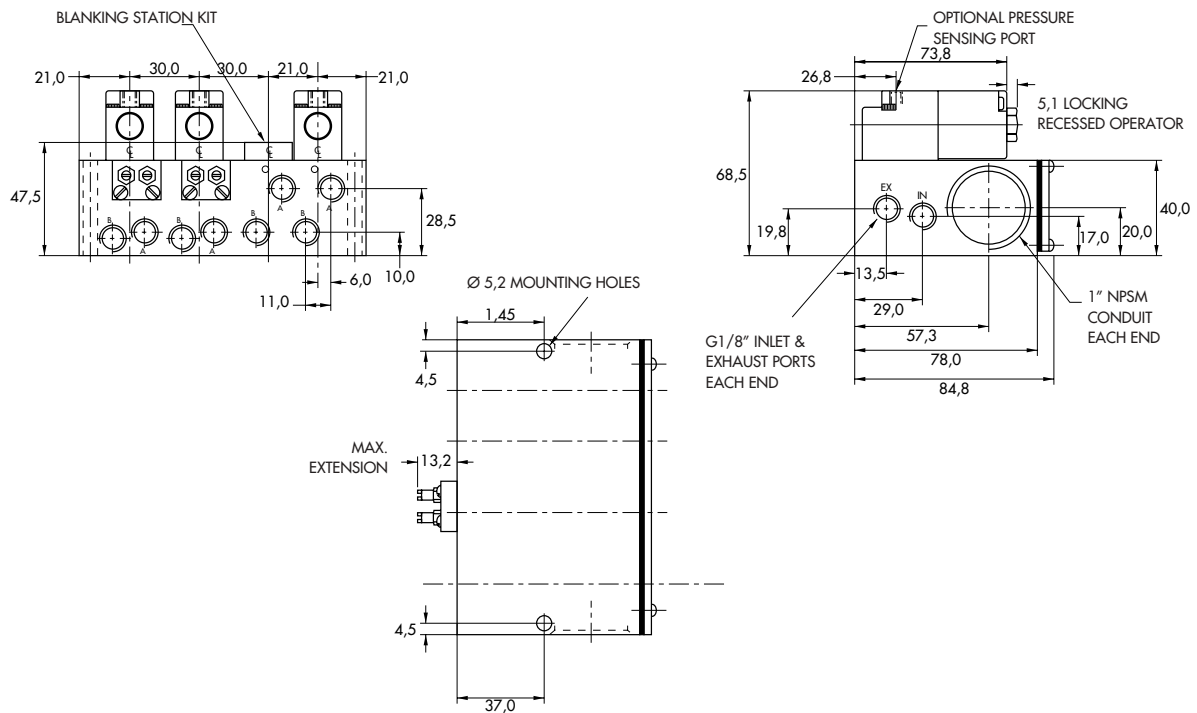
Spare parts :

- Solenoid operator (power ≥ 5.4 W) : 45A-000-DXXJ-XFM, including mounting screws 35013.
- Seal (between solenoid and valve body) : 16402. • Seal between base and valve : 16453.
- Valve mounting screw (x2) : 35020. • Blanking plate valve : E101. • Flow control : N-45025.

Options :

- NPTF threads. • High flow up to 170 NI/min, according to wattage. • Isolation of inlet and/or exhaust.

DIMENSIONS



Function	Port size	Flow [Max]	Circuit bar mounting
4/2	M5 - G1/8"	100 NI/min	"plug-in" with pressure and flow regulators

OPERATIONAL BENEFITS

1. Balanced poppet, immune to variations of pressure.
2. Short stroke with high flow.
3. The patented solenoid develops high shifting forces.
4. Powerful return spring.
5. Manual operator standard on all valves.
6. Burn-out proof solenoid on AC service.



HOW TO ORDER

Reset

45A-xxx-DxxJ-xFM

HOW TO ORDER VALVE FOR CIRCUIT BAR MOUNTING "PLUG-IN"

Single operator	Double operator (Minimum DC wattage 5,4W)
<input type="radio"/> 45A-L00-Dxxx-xFM	<input type="radio"/> 45A-N00-Dxxx-xFM

SOLENOID OPERATOR >

D **XX** J- **X** FM*

XX Voltage	X Manual operator
<input type="radio"/> AB 220V~/50Hz	<input type="radio"/> 1 Non-locking
<input type="radio"/> AA 110V~/50Hz	<input type="radio"/> 2 Locking
<input type="radio"/> AC 24V~/50Hz	<input type="radio"/> x Other Options
<input type="radio"/> FB 24V=/1,8W	
<input type="radio"/> DA 24V=/5,4W	
<input type="radio"/> DF 24V=/12,7W	
<input type="radio"/> xx Other Options	

HOW TO ORDER "PLUG-IN" CIRCUIT BAR WITH PRESSURE AND FLOW REGULATORS (TO BE ORDERED SEPARATELY)**

ECD45A-xxxx-xx-02

Port size	Spacing mm	Bottom cylinder ports
M5	21	<input type="radio"/> ECD45A-007D-A0-xx
G1/8"	21	<input type="radio"/> ECD45A-007C-A0-xx
M5	26	<input type="radio"/> ECD45A-017D-A0-xx
G1/8"	26	<input type="radio"/> ECD45A-017C-A0-xx
M5	40	<input type="radio"/> ECD45A-027D-A0-xx
G1/8"	40	<input type="radio"/> ECD45A-027C-A0-xx

- ** without light (A0)
- with light 220V~/50Hz (AB)
- with light 24V= (AD)

Other options available. Consult factory.

Pressure and flow regulator : 45A-002

Note click for valves mounted on base at the factory (add - 9 to the model number).

Number of stations (03=3 stations) **2**

TECHNICAL
DATA

Fluid :	Compressed air, vacuum, inert gases		
Pressure range :	Vacuum to 8.5 bar		
Lubrication :	Not required, if used select a medium aniline point lubricant (between 80°C and 100°C)		
Filtration :	40 µ		
Temperature range :	-18°C to +50°C		
Orifice :	2 mm		
Flow (at 6 bar, ΔP=1 bar) :	1.8 W : 80 NI/min (C _v 0.08) - 5.4 to 12.7 W : 100 NI/min (C _v 0.1)		
Leak rate :	50 cm ³ /min		
Coil :	Epoxy encapsulated - class A wires - 100% ED (specify mod 0449)		
Voltage range :	-15% to +10% of nominal voltage		
Protection :	IP 65		
Power :	~ Inrush : 10.9 VA Holding : 7.7 VA = 1.8 to 12.7 W		
Response times :	24 V=5.4 W	Energize : 6 ms	De-energize : 2 ms
	50Hz/6 W	Energize : 3-8 ms	De-energize : 2-7 ms

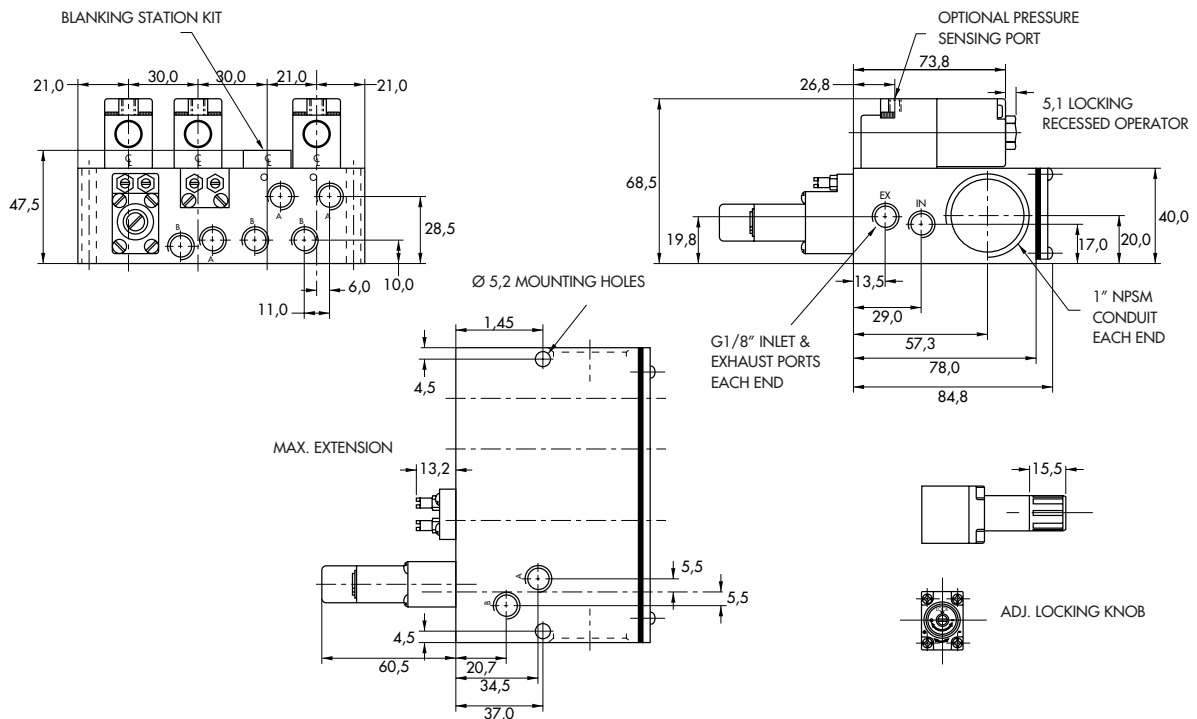
Spare parts :

- Solenoid operator (power ≥ 5.4 W) : 45A-000-DXXJ-XFM, including mounting screws 35013.
- Seal between solenoid and valve body : 16402. • Seal between base and valve : 16453.
- Valve mounting screw (x2) : 35020. • Blanking plate valve : E101. • Blanking plate regulator : M-35005.

Options :

- NPTF threads. • High flow up to 170 NI/min, according to wattage. • Isolation of inlet and/or exhaust.

DIMENSIONS





0 p t i o n s

Codification table for voltages / Wire length / Manual operators / Electrical connections

VALVE CODE >

-D X X X - X X X
1 2 3 4

OPTIONS AVAILABLE FOR

- Solenoid valves 35 & 45 Series

- Pilot operated valves with pilots type 35 Series
Series : 82

1. VOLTAGE

- D XX	X - X XX	VOLTAGE
AA		120 V~/60 Hz - 110 V/50 Hz
AB		240 V~/60 Hz - 220 V/50 Hz
AC		24 V~/60 Hz - 24 V/50 Hz
AD		24 V~/60 Hz
AE		200 V~/60 Hz
AF		240 V~/50 Hz
AG		240 V~/50 Hz
DA		24 V=/5,4 W
DB		12 V=/5,4 W
DC		12 V=/7,5 W
DD		24 V=/7,3 W
DE		12 V=/12,7 W CLSF
DF		24 V=/12,7 W CLSF
DK		110 V=/4,7 W
DL		64 V=/6 W
DM		36 V=/5,3 W
DN		6 V=/6 W
DP		48 V=/5,8 W
DU		24 V=/6 W
EA		12 V=/6 W
FA		12 V=/1,8 W
FB		24 V=/1,8 W
FE		12 V=/2,4 W
FF		24 V=/2,4 W

2. WIRE LENGTH

- D XX	X - X XX	WIRE LENGTH
A		45 cm - 18"
B		60 cm - 24"
C		90 cm - 36"
D		120 cm - 48"
E		180 cm - 72"
F		240 cm - 96"
J		For external plug-in connector
P		For plug-in valves (82 Series only)

3. MANUAL OPERATOR

- D XX X - X XX MANUAL OPERATOR

0	No operator
1	Non-locking recessed
2	Locking recessed
3	Non-locking extended
4	Locking extended

4. ELECTRICAL CONNECTION

- D XX X - X XX ELECTRICAL CONNECTION

BA	Flying leads
BK	BA with protection diode
BL	BA with protection varistor
CA	1/2" NPS conduit
JB	Rectangular connector
JD	Rectangular connector with light
JM	Rectangular connector, male only
KA	Square connector
KB	Square connector with protection diode
KC	Square connector with protection varistor
KD	Square connector with light
KE	Square connector with light and protection diode
KF	Square connector with light and protection varistor
KJ	Square connector (male only)
KK	Square connector with protection diode (male only)
KL	Square connector with protection varistor (male only)
MA	Electrical common conduit
TA	Dual tabs
TB	TA with protection diode
TD	TA with light
TE	TA with light and protection diode
TJ	Dual tabs (male only)
TK	TJ with protection diode
TM	TJ with light
TN	TJ with light and protection diode
DA*	Plug-in connector
DK*	DA with protection diode
DL*	DA with protection varistor

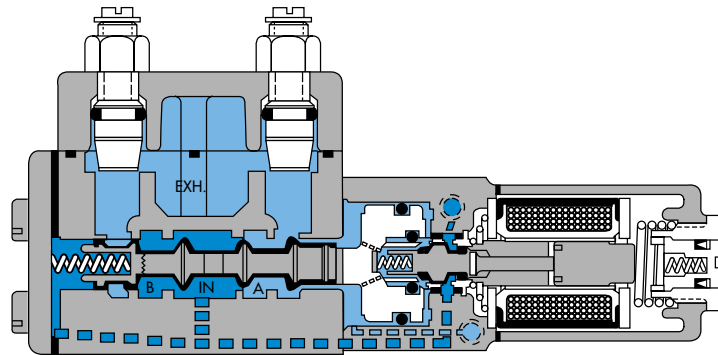
* To be used with 82 Series only

Individual mounting

inline

Manifold mounting

stacking



Function	Port size	Flow [Max]	Individual mounting
4/2	G1/8" - G1/4"	700 NI/min	inline

OPERATIONAL BENEFITS

- Balanced spool, immune to variations of pressure.
- Short stroke with high flow.
- The piston (booster) provides maximum shifting forces.
- Powerful return force thanks to the combination of mechanical and air springs.
- Bonded spool with minimum friction, shifting in a glass-like finished bore.
- Wiping effect eliminates sticking.
- Pilot valve with balanced poppet, high flow, short and consistent response times.
- Long service life.



HOW TO ORDER

Reset

XXXX-XX-XX-XXYZZ

Port size	Pilot air	Single operator	Double operator
G1/8"	Internal	<input type="radio"/> 711C-13-PI- XXYZZ	<input type="radio"/> 721C-13-PI- XXYZZ
G1/4"	Internal	<input type="radio"/> 711C-14-PI- XXYZZ	<input type="radio"/> 721C-14-PI- XXYZZ
G1/8"	External	<input type="radio"/> 711C-13-PE- XXYZZ	<input type="radio"/> 721C-13-PE- XXYZZ
G1/4"	External	<input type="radio"/> 711C-14-PE- XXYZZ	<input type="radio"/> 721C-14-PE- XXYZZ

HOW TO ORDER VALVE WITH FLOW REGULATORS

Port size	Pilot air	Single operator	Double operator
G1/8"	Internal	<input type="radio"/> 712C-13-PI- XXYZZ	<input type="radio"/> 722C-13-PI- XXYZZ
G1/4"	Internal	<input type="radio"/> 712C-14-PI- XXYZZ	<input type="radio"/> 722C-14-PI- XXYZZ
G1/8"	External	<input type="radio"/> 712C-13-PE- XXYZZ	<input type="radio"/> 722C-13-PE- XXYZZ
G1/4"	External	<input type="radio"/> 712C-14-PE- XXYZZ	<input type="radio"/> 722C-14-PE- XXYZZ

SOLENOID OPERATOR >

XX Y ZZ

XX Voltage	Y Manual operator	ZZ Electrical connection
<input type="radio"/> 11 110V~/50Hz	<input type="radio"/> 1 Non-locking	<input type="radio"/> JB Rectangular connector
<input type="radio"/> 12 220V~/50Hz	<input type="radio"/> 2 Locking	<input type="radio"/> JD Rectangular connector with light
<input type="radio"/> 22 24V~/50Hz	<input type="radio"/> y Other Options	<input type="radio"/> JA Square connector
<input type="radio"/> 59 24V=/2,5W		<input type="radio"/> JC Square connector with light
<input type="radio"/> 87 24V=/17,1W		<input type="radio"/> BA Flying leads (45 cm)
<input type="radio"/> 61 24V=/8,5W		<input type="radio"/> zz Other Options
<input type="radio"/> xx Other Options		

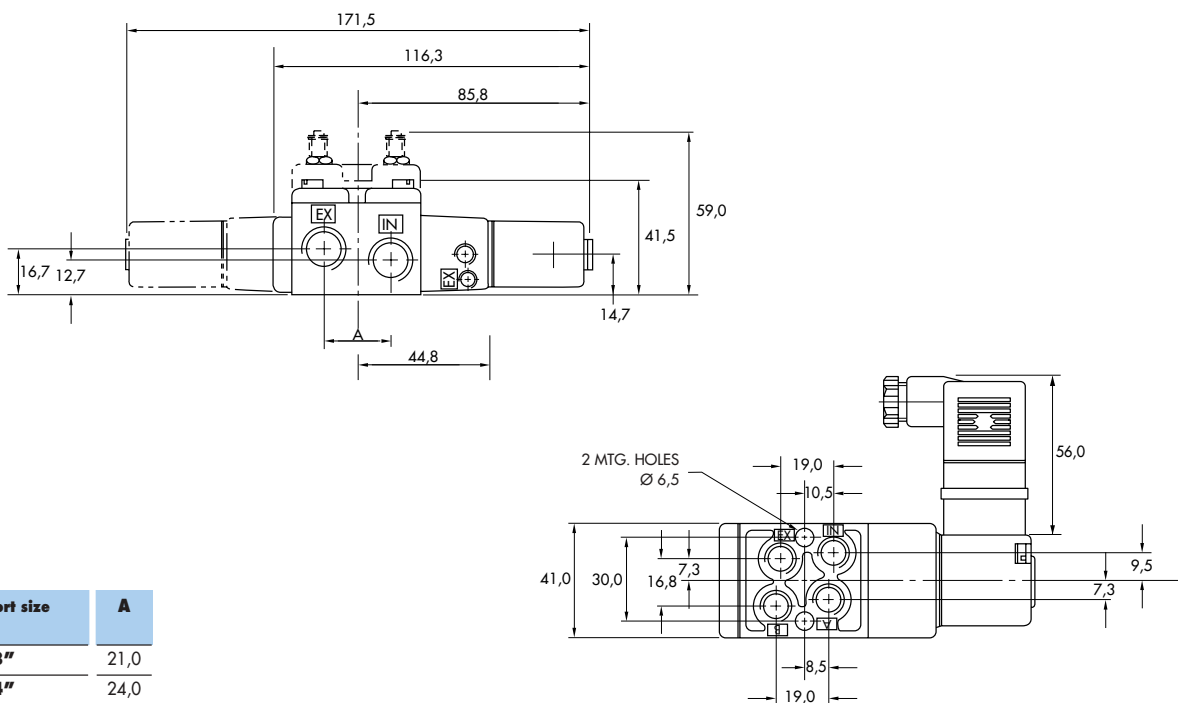
**TECHNICAL
DATA**

Fluid :	Compressed air, vacuum, inert gases
Pressure range :	Internal pilot : single operator : 1.4 to 10 bar double operator : 0.7 to 10 bar External pilot : vacuum to 10 bar
Pilot pressure :	Single operator : 1.4 to 10 bar Double operator : 0.7 to 10 bar
Lubrication :	Not required, if used select a medium aniline point lubricant (between 80°C and 100°C)
Filtration :	40 µ
Temperature range :	-18°C to +50°C
Orifice :	5.6 mm
Flow (at 6 bar, ΔP=1bar) :	G1/8" : 600 NI/min (C _v 0.6) - G1/4" : 700 NI/min (C _v 0.7)
Leak rate :	50 cm ³ /min
Coil :	Epoxy encapsulated - class A wires - 100% ED (specify mod 0449)
Voltage range :	-15% to +10% of nominal voltage
Protection :	IP 65
Power :	~ Inrush : 14.8 VA Holding : 10.9 VA = 1 to 17.1 W
Response times :	24 V=8.5 W Energize : 6.4 ms De-energize : 8.5 ms 50Hz/6 W Energize : 4-10 ms De-energize : 7-13 ms

- Spare parts :
- Solenoid operator (power ≥ 4 W) : D1-XXYZZ1, including mounting screws 35206 and seal 16234.
 - Pilot valve : PID-XXYZZ, including mounting screws 35214 and seal 16363.
 - Valve cover plate with integral flow controls : N-07002.

- Options :
- NPTF threads.

DIMENSIONS



Function	Port size	Flow [Max]	Manifold mounting
4/2	G1/8" - G1/4"	800 NI/min	stacking

OPERATIONAL BENEFITS

- Balanced spool, immune to variations of pressure.
- Short stroke with high flow.
- The piston (booster) provides maximum shifting forces.
- Powerful return force thanks to the combination of mechanical and air springs.
- Bonded spool with minimum friction, shifting in a glass-like finished bore.
- Wiping effect eliminates sticking.
- Pilot valve with balanced poppet, high flow, short and consistent response times.
- Long service life.



HOW TO ORDER

Reset

XXXX-XX-XX-XXYYZZ

Port size	Pilot air	Single operator	Double operator
G1/8"	Internal	<input type="radio"/> 713C-13-PI- XXYYZZ	<input type="radio"/> 723C-13-PI- XXYYZZ
G1/4"		<input type="radio"/> 713C-14-PI- XXYYZZ	<input type="radio"/> 723C-14-PI- XXYYZZ

HOW TO ORDER VALVE WITH FLOW REGULATORS

Port size	Pilot air	Single operator	Double operator
G1/8"	Internal	<input type="radio"/> 714C-13-PI- XXYYZZ	<input type="radio"/> 724C-13-PI- XXYYZZ
G1/4"		<input type="radio"/> 714C-14-PI- XXYYZZ	<input type="radio"/> 724C-14-PI- XXYYZZ

SOLENOID OPERATOR >

XX Y ZZ*

XX Voltage	Y Manual operator	ZZ Electrical connection
<input type="radio"/> 11 110V~/50Hz	<input type="radio"/> 1 Non-locking	<input type="radio"/> JB Rectangular connector
<input type="radio"/> 12 220V~/50Hz	<input type="radio"/> 2 Locking	<input type="radio"/> JD Rectangular connector with light
<input type="radio"/> 22 24V~/50Hz	<input type="radio"/> y Other Options	<input type="radio"/> JA Square connector
<input type="radio"/> 59 24V=/2,5W		<input type="radio"/> JC Square connector with light
<input type="radio"/> 87 24V=/17,1W		<input type="radio"/> BA Flying leads (45 cm)
<input type="radio"/> 61 24V=/8,5W		<input type="radio"/> zz Other Options
<input type="radio"/> xx Other Options		

End plate kit (Port size G1/4") : M-07001-01-01P (internal pilot).
M-07001-02-01P (external pilot).

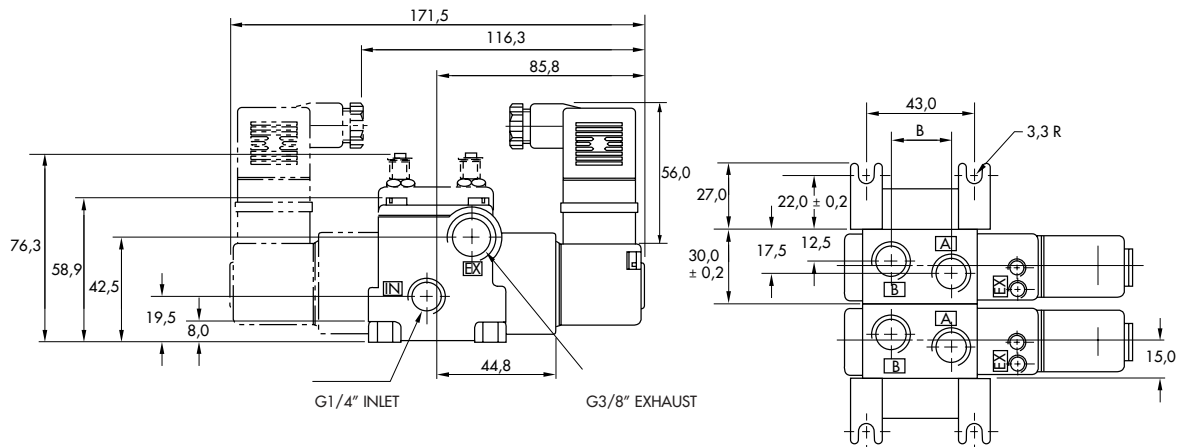
**TECHNICAL
DATA**

Fluid :	Compressed air, vacuum, inert gases
Pressure range :	Internal pilot : single operator : 1.4 to 10 bar double operator : 0.7 to 10 bar External pilot : vacuum to 10 bar
Pilot pressure :	Single operator : 1.4 to 10 bar Double operator : 0.7 to 10 bar
Lubrication :	Not required, if used select a medium aniline point lubricant (between 80°C and 100°C)
Filtration :	40 µ
Temperature range :	-18°C to +50°C
Orifice :	5.6 mm
Flow (at 6 bar, ΔP=1 bar) :	G1/8" : 700 NI/min (C _v 0.7) - G1/4" : 800 NI/min (C _v 0.8)
Leak rate :	50 cm ³ /min
Coil :	Epoxy encapsulated - class A wires - 100% ED (specify mod 0449)
Voltage range :	-15% to +10% of nominal voltage
Protection :	IP 65
Power :	~ Inrush : 14.8 VA Holding : 10.9 VA = 1 to 17.1 W
Response times :	24 V=8.5 W Energize : 6.4 ms De-energize : 8.5 ms 50Hz/6 W Energize : 4-10 ms De-energize : 7-13 ms

- Spare parts :
- Solenoid operator (power ≥ 4 W) : D1-XXYZZ1, including mounting screws 35206 and seal 16234.
 - Pilot valve : PID-XXYZZ, including mounting screws 35214 and seal 16363.
 - Valve cover plate with integral flow controls : N-07004.

- Options :
- NPTF threads. • Isolation of inlet and/or exhaust.

DIMENSIONS



Port size	B
G1/8"	21,0
G1/4"	24,0



Codification table for voltages / Manual operator / Electrical connection / Wire length

VALVE CODE >

-XX Y ZZ (-VV)
1 2 3 4

OPTIONS AVAILABLE FOR	OPTIONS AVAILABLE FOR
- valves type 100 Series - pilot valves "CNOMO"	- valves type 200 Series
- Pilot operated valves with pilots type 100 Series Series : 55 - 56 - 700 - 800 - 900 - 6200 - 6300 - 6500 - 6600 - 1300 - ISO 1 - ISO 2 - ISO 3.	- pilot operated valves with pilots type 200 Series Series : 200 - 57 - 58 - 59.
- Pilot operated valves with pilots "CNOMO" Series : ISO1 - ISO2 - ISO3	

1. VOLTAGE (type 100 Series)		1. VOLTAGE (type 200 Series)	
- XX Y ZZ	VOLTAGE	- XX Y ZZ	VOLTAGE
11	120 V~/60 Hz - 110 V~/50 Hz	11	120 V~/60 Hz - 110 V~/50 Hz - 24 V=
12	240 V~/60 Hz - 220 V~/50 Hz	12	240 V~/60 Hz - 220 V~/50 Hz
13	100 V~/60 Hz - 100 V~/50 Hz	13	100 V~/60 Hz - 100 V~/50 Hz
15	200 V~/60 Hz - 200 V~/50 Hz	14	200 V~/60 Hz - 200 V~/50 Hz
16	10 V~/60 Hz	20	6 V~/60 Hz
20	6 V~/60 Hz	21	12 V~/60 Hz
21	12 V~/50 Hz - 12 V~/60 Hz	22	24 V~/60 Hz - 24 V~/50 Hz
22	24 V~/60 Hz - 24 V~/50 Hz	23	32 V~/60 Hz - 32 V~/50 Hz
23	32 V~/60 Hz - 32 V~/50 Hz	24	48 V~/60 Hz - 42 V~/50 Hz
24	48 V~/60 Hz - 42 V~/50 Hz	25	240 V~/50 Hz
26	380 V~/50 Hz, 440 V~/50 Hz -440 V~/60 Hz, 480 V~/60 Hz-CLSF	26	480 V~/60 Hz - 440 V~/50 Hz
29	200 V~/60 Hz	27	127 V~/60 Hz
34	127 V~/50 Hz - 120 V~/50 Hz	28	415 V~/50 Hz
35	48 V~/50 Hz	29	200 V~/60 Hz
36	16 V~/60 Hz	30	380 V~/50 Hz
B1	24 V~/50 Hz	31	550 V~/60 Hz - 550 V~/50 Hz
50	24 V=/6 W	32	120 V~/60 Hz - 110 V~/50 Hz
51	24 V=/4 W	33	600 V~/60 Hz
54	12 V=/4 W	34	127 V~/50 Hz
55	12 V=/6 W	35	48 V~/50 Hz
57	12 V=/2,5 W	50	24 V=/6 W
59	24 V=/2,5 W	51	24 V=/4,5 W
60	12 V=/8,5 W	52	24 V=/2,5 W
61	24 V=/8,5 W	53	24 V=/1 W
64	6 V=/6 W	55	12 V=/6 W
65	32 V=/7 W	57	12 V=/2,5 W
66	48 V=/5,8 W	58	48 V=/2,5 W
67	64 V=/7,5 W	60	12 V=/9,5 W
68	120 V=/6,4 W	61	24 V=/8,5 W
69	220 V=/8,7 W - 250 V=/11,2 W CLSF	64	6 V=/8,5 W
75	90 V=/8,8 W CLSF	65	32 V=/10 W
76	100 V=/6,9 W CLSF	66	48 V=/11,5 W
84	125 V=/10,9 W CLSF	67	64 V=/10,5 W
87	24 V=/17,1 W CLSF	68	120 V=/12,3 W
88	12 V=/17,4 W CLSF	69	250 V=/9,2 W
89	36 V=/18,8 W CLSF	71	8 V=/8,2 W
90	28 V=/8,2 W	72	24 V=/12 W
91	6 V=/10,6 W CLSF	73	198 V=/10 W
92	190 V=/6,5 W	74	72 V=/11,3 W
94	3 V=/7 W	75	90 V=/11,3 W
95	38 V=/6,4 W	76	100 V=/9 W
A1	24 V=/1 W	77	220 V=/10 W - 230 V=/1,6 W
A2	12 V=/1 W	78	24 V=/24 W CLSF
A3	9 V=/1 W	80	55 V=/10,6 W CLSF
MOD. DD01 : Protection diode (DC)		82	179 V=/11,1 W
MOD. MOV1 : Protection varistor (AC)		83	15 V=/8,1 W
MOD. DD01 : max. 8,5 W		84	125 V=/10 W
MOD. MOV1 : max. 8,5 W		86	36 V=/11 W
		93	12 V=/24 W CLSF

2. MANUAL OPERATOR (Common options for 100 & 200 Series)

- XX Y ZZ	MANUAL OPERATOR
0	No operator
1	Non-locking recessed
2	Locking recessed
3	Non-locking extended
4	Locking extended

3. ELECTRICAL CONNECTION (type 100 Series)

- XX Y ZZ	ELECTRICAL CONNECTION
AA	Wiring box with 1/2" NPS conduit
BA	Flying leads
CA	1/2" NPS conduit
CC	1/2" NPS conduit
FA	Military type 2 PIN
GA	Military type 3 PIN
HA	AA with ground wire
JA*	Square connector
JB	Rectangular connector
JC*	Square connector with light
JD	Rectangular connector with light
JE	Square connector on top (ISO2, ISO3)
JF	Rectangular connector on top (ISO1, ISO2, ISO3)
JG	JE with light
JH	JF with light
JJ	Square connector, male only
JM	Rectangular connector, male only
MA	Electrical common conduit
MB	Electrical common conduit
NA	CA with ground wire
NC	CC with ground wire
RA	3/8" NPS conduit
AD	Wiring box 20 mm
AH	Wiring box PG 13,5 with ground wire
CD	20 mm conduit
CG	PG 11 conduit
HH	Wiring box PG 13,5 with ground wire
ND	20 mm conduit with ground wire
NG	PG11 conduit with ground wire
HD	20 mm wiring box with ground wire

* Not to be used with 100, 800 and 900 Series manifold mounting

3. ELECTRICAL CONNECTION (type 200 Series)

- XX Y ZZ	ELECTRICAL CONNECTION
AA	Wiring box with 1/2" NPS conduit
BA	Flying leads
CA	1/2" NPS conduit
CC	1/2" NPS conduit
EA	Explosion proof (200 Series)
EA	Explosion proof (57, 58 & 59 Series)
EE	Explosion proof (CENELEC)
EN	Explosion proof with ground wire
FA	Military type 2 PIN
GA	Military type 3 PIN
HA	AA with ground wire
JA*	Square connector
JC	Square connector with light
JJ	Square connector, male only
NA	CA with ground wire
NC	CC with ground wire
AD	Wiring box 20 mm
AK	PG 16 wiring box
CD	20 mm conduit
CK	PG 16 conduit
HD	20 mm wiring box with ground wire
HK	PG16 wiring box with ground wire
ND	20 mm conduit with ground wire
NK	PG16 wiring box with ground wire

4. WIRE LENGTH (Common options for 100 & 200 Series)

- XX Y ZZ (-VV)	WIRE LENGTH
AA	45 cm - 18"
AB	60 cm - 24"
AD	90 cm - 36"
AE	120 cm - 48"
AF	180 cm - 72"
AG	15 cm - 6"
AR	30 cm - 12"
AU	305 cm - 120"
BA	152 cm - 60"
BB	366 cm - 144"

Series 6000 : wire length, delivered with the base

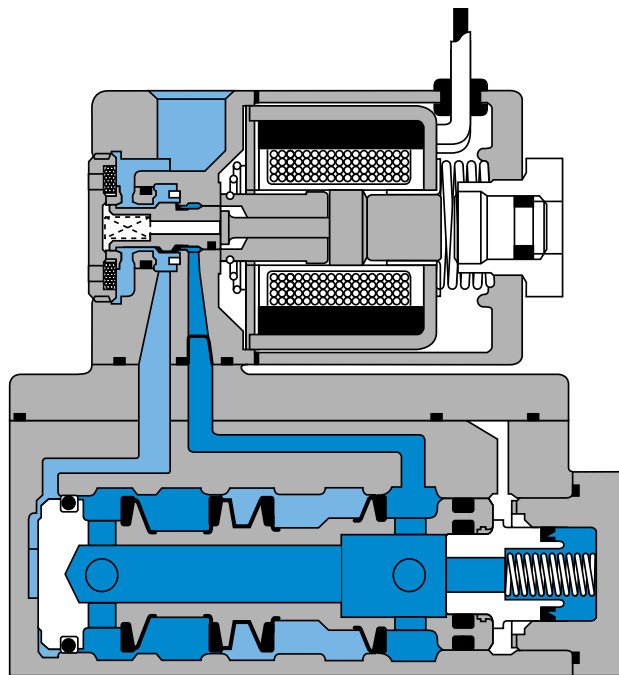
MOD L024	60 cm - 24"
MOD L036	91 cm - 36"
MOD L048	122 cm - 48"
MOD L060	152 cm - 60"
MOD L072	180 cm - 72"
MOD L120	305 cm - 120"

Individual mounting

inline

Manifold mounting

stacking



Function	Port size	Flow [Max]	Individual mounting
4/2	G1/8" - G1/4"	1200 NI/min	inline

OPERATIONAL BENEFITS

- Balanced spool, immune to variations of pressure.
- Short stroke with high flow.
- The piston (booster) provides maximum shifting forces.
- Powerful return force thanks to the combination of mechanical and air springs.
- Bonded spool with minimum friction, shifting in a glass-like finished bore.
- Wiping effect eliminates sticking.
- Pilot valve with balanced poppet, high flow, short and consistent response times.
- Long service life.



HOW TO ORDER

Reset

xxxx-PM-xyzz

Port size	Single operator	Double operator
G1/8"	<input type="radio"/> 915B-PM- xyzz	<input type="radio"/> 925B-PM- xyzz
G1/4"	<input type="radio"/> 916B-PM- xyzz	<input type="radio"/> 926B-PM- xyzz

SOLENOID OPERATOR >

XX Y ZZ*

XX Voltage	Y Manual operator	ZZ Electrical connection
<input type="radio"/> 11 110V~/50Hz	<input type="radio"/> 1 Non-locking	<input type="radio"/> JB Rectangular connector
<input type="radio"/> 12 220V~/50Hz	<input type="radio"/> 2 Locking	<input type="radio"/> JD Rectangular connector with light
<input type="radio"/> 22 24V~/50Hz	<input type="radio"/> y Other Options	<input type="radio"/> JA Square connector
<input type="radio"/> 59 24V=/2,5W		<input type="radio"/> JC Square connector with light
<input type="radio"/> 87 24V=/17,1W		<input type="radio"/> BA Flying leads (45 cm)
<input type="radio"/> 61 24V=/8,5W		<input type="radio"/> zz Other Options
<input type="radio"/> xx Other Options		

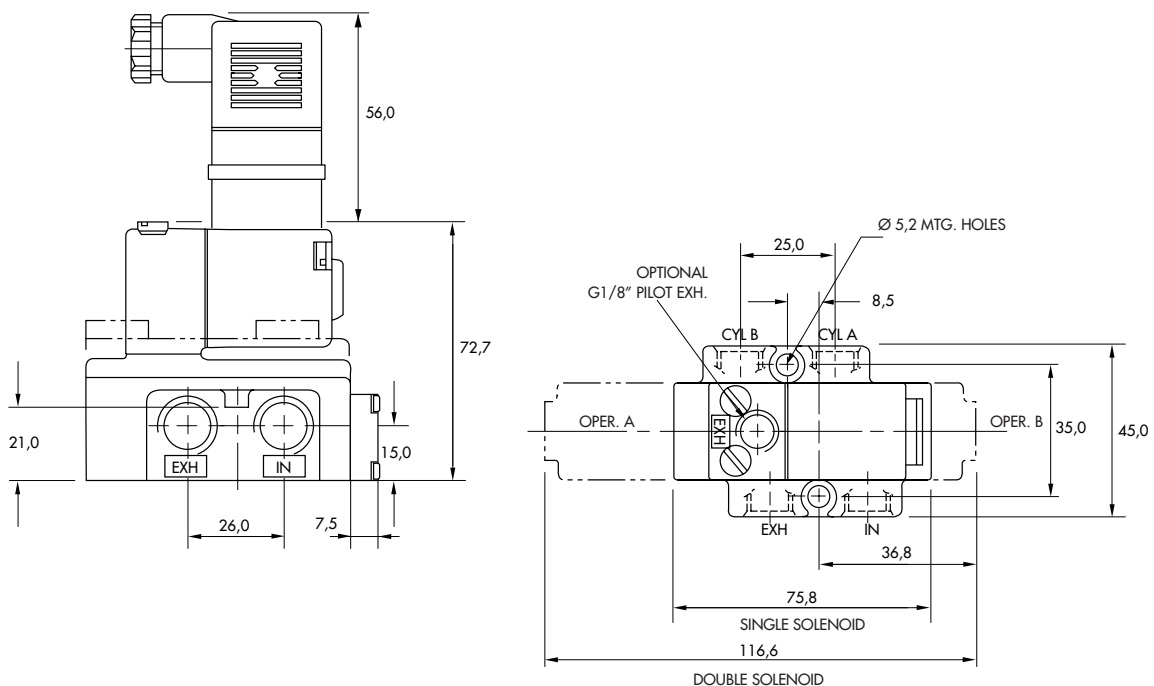
TECHNICAL
DATA

Fluid :	Compressed air, vacuum, inert gases
Pressure range :	Single operator : 1.8 to 10 bar Double operator : 0.7 to 10 bar
Lubrication :	Not required, if used select a medium aniline point lubricant (between 80°C and 100°C)
Filtration :	40 µ
Temperature range :	-18°C to +50°C
Orifice :	7 mm
Flow (at 6 bar, ΔP=1 bar) :	G1/8" : 800 NI/min (C _v 0.8) - G1/4" : 1200 NI/min (C _v 1.2)
Leak rate :	50 cm ³ /min
Coil :	Epoxy encapsulated - class A wires - 100% ED (specify mod 0449)
Voltage range :	-15% to +10% of nominal voltage
Protection :	IP 65
Power :	~ Inrush : 14.8 VA Holding : 10.9 VA = 1 to 17.1 W
Response times :	24 V= /8.5 W Energize : 8 ms De-energize : 10ms 50Hz/6 W Energize : 5-10 ms De-energize : 8-15 ms

Spare parts : • Solenoid operator (power ≥ 4 W) : D1-XXYZZ1, including mounting screws 35206 and seal 16234.
 • Pilot valve : PME-XXYZZ, including seal 16337. • Mounting screw pilot to main valve : 35219.

Options : • NPTF threads.

DIMENSIONS



Function	Port size	Flow [Max]	Manifold mounting
4/2	G1/8" - G1/4" - G3/8"	1400 NI/min	stacking

OPERATIONAL BENEFITS

- Balanced spool, immune to variations of pressure.
- Short stroke with high flow.
- The piston (booster) provides maximum shifting forces.
- Powerful return force thanks to the combination of mechanical and air springs.
- Bonded spool with minimum friction, shifting in a glass-like finished bore.
- Wiping effect eliminates sticking.
- Pilot valve with balanced poppet, high flow, short and consistent response times.
- Long service life.



HOW TO ORDER

Reset

xxxx-PM-xyzz

Port size	Single operator	Double operator
G1/8"	<input type="radio"/> 917B-PM- xyzz	<input type="radio"/> 927B-PM- xyzz
G1/4"	<input type="radio"/> 918B-PM- xyzz	<input type="radio"/> 928B-PM- xyzz
G3/8"	<input type="radio"/> 919B-PM- xyzz Mod 005	<input type="radio"/> 929B-PM- xyzz Mod 005

SOLENOID OPERATOR >

XX Y ZZ*

XX Voltage	Y Manual operator	ZZ Electrical connection
<input type="radio"/> 11 110V~/50Hz	<input type="radio"/> 1 Non-locking	<input type="radio"/> JB Rectangular connector
<input type="radio"/> 12 220V~/50Hz	<input type="radio"/> 2 Locking	<input type="radio"/> JD Rectangular connector with light
<input type="radio"/> 22 24V~/50Hz	<input type="radio"/> y Other Options	<input type="radio"/> BA Flying leads (45 cm)
<input type="radio"/> 59 24V=/2,5W		<input type="radio"/> zz Other Options
<input type="radio"/> 87 24V=/17,1W		
<input type="radio"/> 61 24V=/8,5W		
<input type="radio"/> xx Other Options		

End plate kit (Port size : G3/8") : M-09001-01P.

**TECHNICAL
DATA**

Fluid :	Compressed air, vacuum, inert gases
Pressure range :	Single operator : 1.8 to 10 bar Double operator : 0.7 to 10 bar
Lubrication :	Not required, if used select a medium aniline point lubricant (between 80°C and 100°C)
Filtration :	40 µ
Temperature range :	-18°C to +50°C
Orifice :	7 mm
Flow (at 6 bar, ΔP=1 bar) :	G1/8" : 1200 Nl/min (C _v 1.2) - G1/4" : 1400 Nl/min (C _v 1.4) - G3/8" : 1400 Nl/min (C _v 1.4)
Leak rate :	50 cm ³ /min
Coil :	Epoxy encapsulated - class A wires - 100% ED (specify mod 0449)
Voltage range :	-15% to +10% of nominal voltage
Protection :	IP 65
Power :	~ Inrush : 14.8 VA Holding : 10.9 VA = 1 to 17.1 W
Response times :	24 V=8.5 W Energize : 8 ms De-energize : 10ms 50Hz/6 W Energize : 5-10 ms De-energize : 8-15 ms

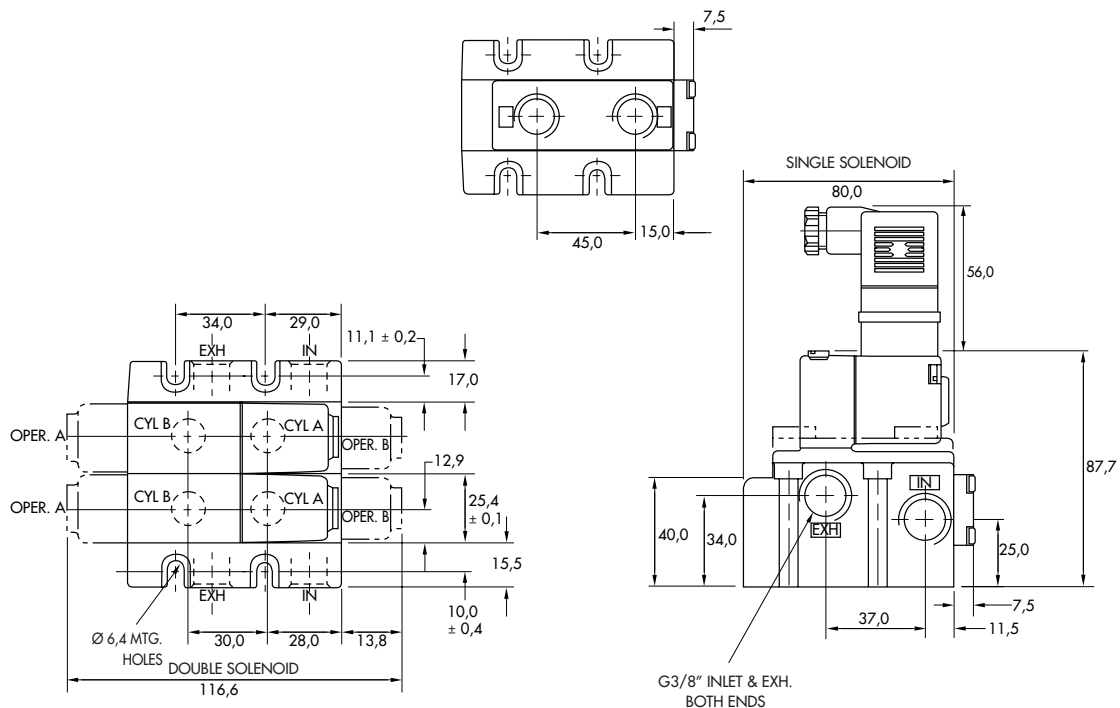
Spare parts :

- Solenoid operator (power ≥ 4 W) : D1-XXYZZ1, including mounting screws 35206 and seal 16234.
- Pilot valve : PME-XXYZZ, including seal 16367. • Mounting screw pilot to main valve : 35219.
- Pressure seal between valves : 16358. • Tie-rod (x2) : 19615.

Options :

- NPTF threads.

DIMENSIONS





Codification table for voltages / Manual operator / Electrical connection / Wire length

VALVE CODE >

-XX Y ZZ (-VV)
1 2 3 4

OPTIONS AVAILABLE FOR	OPTIONS AVAILABLE FOR
- valves type 100 Series - pilot valves "CNOMO"	- valves type 200 Series
- Pilot operated valves with pilots type 100 Series Series : 55 - 56 - 700 - 800 - 900 - 6200 - 6300 - 6500 - 6600 - 1300 - ISO 1 - ISO 2 - ISO 3.	- pilot operated valves with pilots type 200 Series Series : 200 - 57 - 58 - 59.
- Pilot operated valves with pilots "CNOMO" Series : ISO1 - ISO2 - ISO3	

1. VOLTAGE (type 100 Series)		1. VOLTAGE (type 200 Series)	
- XX Y ZZ	VOLTAGE	- XX Y ZZ	VOLTAGE
11	120 V~/60 Hz - 110 V~/50 Hz	11	120 V~/60 Hz - 110 V~/50 Hz - 24 V=
12	240 V~/60 Hz - 220 V~/50 Hz	12	240 V~/60 Hz - 220 V~/50 Hz
13	100 V~/60 Hz - 100 V~/50 Hz	13	100 V~/60 Hz - 100 V~/50 Hz
15	200 V~/60 Hz - 200 V~/50 Hz	14	200 V~/60 Hz - 200 V~/50 Hz
16	10 V~/60 Hz	20	6 V~/60 Hz
20	6 V~/60 Hz	21	12 V~/60 Hz
21	12 V~/50 Hz - 12 V~/60 Hz	22	24 V~/60 Hz - 24 V~/50 Hz
22	24 V~/60 Hz - 24 V~/50 Hz	23	32 V~/60 Hz - 32 V~/50 Hz
23	32 V~/60 Hz - 32 V~/50 Hz	24	48 V~/60 Hz - 42 V~/50 Hz
24	48 V~/60 Hz - 42 V~/50 Hz	25	240 V~/50 Hz
26	380 V~/50 Hz, 440 V~/50 Hz -440 V~/60 Hz, 480 V~/60 Hz-CLSF	26	480 V~/60 Hz - 440 V~/50 Hz
29	200 V~/60 Hz	27	127 V~/60 Hz
34	127 V~/50 Hz - 120 V~/50 Hz	28	415 V~/50 Hz
35	48 V~/50 Hz	29	200 V~/60 Hz
36	16 V~/60 Hz	30	380 V~/50 Hz
B1	24 V~/50 Hz	31	550 V~/60 Hz - 550 V~/50 Hz
50	24 V=/6 W	32	120 V~/60 Hz - 110 V~/50 Hz
51	24 V=/4 W	33	600 V~/60 Hz
54	12 V=/4 W	34	127 V~/50 Hz
55	12 V=/6 W	35	48 V~/50 Hz
57	12 V=/2,5 W	50	24 V=/6 W
59	24 V=/2,5 W	51	24 V=/4,5 W
60	12 V=/8,5 W	52	24 V=/2,5 W
61	24 V=/8,5 W	53	24 V=/1 W
64	6 V=/6 W	55	12 V=/6 W
65	32 V=/7 W	57	12 V=/2,5 W
66	48 V=/5,8 W	58	48 V=/2,5 W
67	64 V=/7,5 W	60	12 V=/9,5 W
68	120 V=/6,4 W	61	24 V=/8,5 W
69	220 V=/8,7 W - 250 V=/11,2 W CLSF	64	6 V=/8,5 W
75	90 V=/8,8 W CLSF	65	32 V=/10 W
76	100 V=/6,9 W CLSF	66	48 V=/11,5 W
84	125 V=/10,9 W CLSF	67	64 V=/10,5 W
87	24 V=/17,1 W CLSF	68	120 V=/12,3 W
88	12 V=/17,4 W CLSF	69	250 V=/9,2 W
89	36 V=/18,8 W CLSF	71	8 V=/8,2 W
90	28 V=/8,2 W	72	24 V=/12 W
91	6 V=/10,6 W CLSF	73	198 V=/10 W
92	190 V=/6,5 W	74	72 V=/11,3 W
94	3 V=/7 W	75	90 V=/11,3 W
95	38 V=/6,4 W	76	100 V=/9 W
A1	24 V=/1 W	77	220 V=/10 W - 230 V=/1,6 W
A2	12 V=/1 W	78	24 V=/24 W CLSF
A3	9 V=/1 W	80	55 V=/10,6 W CLSF
MOD. DD01 : Protection diode (DC)		82	179 V=/11,1 W
MOD. MOV1 : Protection varistor (AC)		83	15 V=/8,1 W
MOD. DD01 : max. 8,5 W		84	125 V=/10 W
MOD. MOV1 : max. 8,5 W		86	36 V=/11 W
		93	12 V=/24 W CLSF

2. MANUAL OPERATOR (Common options for 100 & 200 Series)

- XX Y ZZ	MANUAL OPERATOR
0	No operator
1	Non-locking recessed
2	Locking recessed
3	Non-locking extended
4	Locking extended

3. ELECTRICAL CONNECTION (type 100 Series)

- XX Y ZZ	ELECTRICAL CONNECTION
AA	Wiring box with 1/2" NPS conduit
BA	Flying leads
CA	1/2" NPS conduit
CC	1/2" NPS conduit
FA	Military type 2 PIN
GA	Military type 3 PIN
HA	AA with ground wire
JA*	Square connector
JB	Rectangular connector
JC*	Square connector with light
JD	Rectangular connector with light
JE	Square connector on top (ISO2, ISO3)
JF	Rectangular connector on top (ISO1, ISO2, ISO3)
JG	JE with light
JH	JF with light
JJ	Square connector, male only
JM	Rectangular connector, male only
MA	Electrical common conduit
MB	Electrical common conduit
NA	CA with ground wire
NC	CC with ground wire
RA	3/8" NPS conduit
AD	Wiring box 20 mm
AH	Wiring box PG 13,5 with ground wire
CD	20 mm conduit
CG	PG 11 conduit
HH	Wiring box PG 13,5 with ground wire
ND	20 mm conduit with ground wire
NG	PG11 conduit with ground wire
HD	20 mm wiring box with ground wire

* Not to be used with 100, 800 and 900 Series manifold mounting

3. ELECTRICAL CONNECTION (type 200 Series)

- XX Y ZZ	ELECTRICAL CONNECTION
AA	Wiring box with 1/2" NPS conduit
BA	Flying leads
CA	1/2" NPS conduit
CC	1/2" NPS conduit
EA	Explosion proof (200 Series)
EA	Explosion proof (57, 58 & 59 Series)
EE	Explosion proof (CENELEC)
EN	Explosion proof with ground wire
FA	Military type 2 PIN
GA	Military type 3 PIN
HA	AA with ground wire
JA*	Square connector
JC	Square connector with light
JJ	Square connector, male only
NA	CA with ground wire
NC	CC with ground wire
AD	Wiring box 20 mm
AK	PG 16 wiring box
CD	20 mm conduit
CK	PG 16 conduit
HD	20 mm wiring box with ground wire
HK	PG16 wiring box with ground wire
ND	20 mm conduit with ground wire
NK	PG16 wiring box with ground wire

4. WIRE LENGTH (Common options for 100 & 200 Series)

- XX Y ZZ (-VV)	WIRE LENGTH
AA	45 cm - 18"
AB	60 cm - 24"
AD	90 cm - 36"
AE	120 cm - 48"
AF	180 cm - 72"
AG	15 cm - 6"
AR	30 cm - 12"
AU	305 cm - 120"
BA	152 cm - 60"
BB	366 cm - 144"

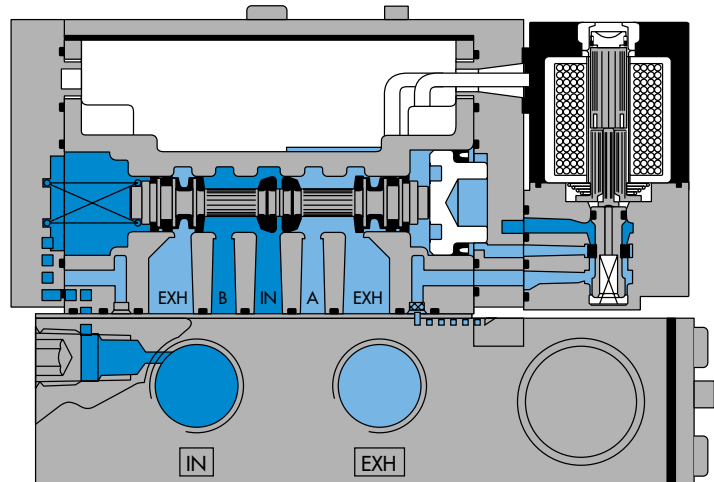
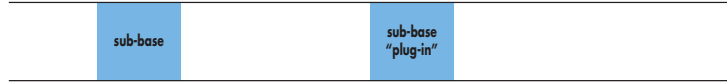
Series 6000 : wire length, delivered with the base

MOD L024	60 cm - 24"
MOD L036	91 cm - 36"
MOD L048	122 cm - 48"
MOD L060	152 cm - 60"
MOD L072	180 cm - 72"
MOD L120	305 cm - 120"

Individual mounting



Manifold mounting



Function	Port size	Flow [Max]	Individual mounting
4/2 - 4/3	G1/8" - G1/4" - G3/8"	1350 NI/min	sub-base

OPERATIONAL BENEFITS

- Balanced spool, immune to variations of pressure.
- Short stroke with high flow.
- The piston (booster) provides maximum shifting forces.
- Powerful return force thanks to the combination of mechanical and air springs.
- Bonded spool with minimum friction, shifting in a glass-like finished bore.
- Wiping effect eliminates sticking.
- Pilot valve with balanced poppet, high flow, short and consistent response times.
- Long service life.


HOW TO ORDER
Reset
82A-xx-xxx-TM-Dxxx-xxx

Port size	Pilot air	4/2 Single operator	4/2 Double operator	4/3 Closed centre	4/3 Open centre	4/3 Pressure centre
Valve less base		<input type="radio"/> 82A-AB-000-TM-Dxxx-xxx	<input type="radio"/> 82A-BB-000-TM-Dxxx-xxx	<input type="radio"/> 82A-EB-000-TM-Dxxx-xxx	<input type="radio"/> 82A-FB-000-TM-Dxxx-xxx	<input type="radio"/> 82A-GB-000-TM-Dxxx-xxx
sub-base	Internal	<input type="radio"/> 82A-AB-DAA-TM-Dxxx-xxx	<input type="radio"/> 82A-BB-DAA-TM-Dxxx-xxx	<input type="radio"/> 82A-EB-DAA-TM-Dxxx-xxx	<input type="radio"/> 82A-FB-DAA-TM-Dxxx-xxx	<input type="radio"/> 82A-GB-DAA-TM-Dxxx-xxx
G1/8"	External	<input type="radio"/> 82A-AB-DAD-TM-Dxxx-xxx	<input type="radio"/> 82A-BB-DAD-TM-Dxxx-xxx	<input type="radio"/> 82A-EB-DAD-TM-Dxxx-xxx	<input type="radio"/> 82A-FB-DAD-TM-Dxxx-xxx	<input type="radio"/> 82A-GB-DAD-TM-Dxxx-xxx
sub-base	Internal	<input type="radio"/> 82A-AB-EAA-TM-Dxxx-xxx	<input type="radio"/> 82A-BB-EAA-TM-Dxxx-xxx	<input type="radio"/> 82A-EB-EAA-TM-Dxxx-xxx	<input type="radio"/> 82A-FB-EAA-TM-Dxxx-xxx	<input type="radio"/> 82A-GB-EAA-TM-Dxxx-xxx
G1/4"	External	<input type="radio"/> 82A-AB-EAD-TM-Dxxx-xxx	<input type="radio"/> 82A-BB-EAD-TM-Dxxx-xxx	<input type="radio"/> 82A-EB-EAD-TM-Dxxx-xxx	<input type="radio"/> 82A-FB-EAD-TM-Dxxx-xxx	<input type="radio"/> 82A-GB-EAD-TM-Dxxx-xxx
sub-base	Internal	<input type="radio"/> 82A-AB-FAA-TM-Dxxx-xxx	<input type="radio"/> 82A-BB-FAA-TM-Dxxx-xxx	<input type="radio"/> 82A-EB-FAA-TM-Dxxx-xxx	<input type="radio"/> 82A-FB-FAA-TM-Dxxx-xxx	<input type="radio"/> 82A-GB-FAA-TM-Dxxx-xxx
G3/8"	External	<input type="radio"/> 82A-AB-FAD-TM-Dxxx-xxx	<input type="radio"/> 82A-BB-FAD-TM-Dxxx-xxx	<input type="radio"/> 82A-EB-FAD-TM-Dxxx-xxx	<input type="radio"/> 82A-FB-FAD-TM-Dxxx-xxx	<input type="radio"/> 82A-GB-FAD-TM-Dxxx-xxx

SOLENOID OPERATOR >
D XX X- X XX*

XX	Voltage	X	Wire length	X	Manual operator	XX	Electrical connection
<input type="radio"/> AB	220V~/50Hz	<input type="radio"/> A	45 cm (Flying leads)	<input type="radio"/> 1	Non-locking	<input type="radio"/> KA	Square connector
<input type="radio"/> AA	110V~/50Hz	<input type="radio"/> J	Connector	<input type="radio"/> 2	Locking	<input type="radio"/> KD	Square connector with light
<input type="radio"/> AC	24V~/50Hz	<input type="radio"/> x	Other Options	<input type="radio"/> x	Other Options	<input type="radio"/> JB	Rectangular connector
<input type="radio"/> FB	24V=/1,8W					<input type="radio"/> JD	Rectangular connector with light
<input type="radio"/> DA	24V=/5,4W					<input type="radio"/> BA	Flying leads
<input type="radio"/> DF	24V=/12,7W					<input type="radio"/> xx	Other Options
<input type="radio"/> xx	Other Options						

OPTIONS
 82A-AB-000-TMDxxx-xxx

 click for dual pressure valves (replace A by C, B by D, E by M, F by L, G by H).

**TECHNICAL
DATA**

Fluid :	Compressed air, vacuum, inert gases	
Pressure range :	Internal pilot : single operator and 3 positions : 1.8 to 10 bar	double operator : 0.7 to 10 bar
	External pilot : vacuum to 10 bar	
Pilot pressure :	Single operator and 3 positions : 1.8 to 10 bar Double operator : 0.7 to 10 bar	
Lubrication :	Not required, if used select a medium aniline point lubricant (between 80°C and 100°C)	
Filtration :	40 µ	
Temperature range :	-18°C to +50°C	
Orifice :	7 mm	
Flow (at 6 bar, ΔP=1bar) :	G1/4" : 1300 NI/min (C _v 1.3) - G3/8" : 1350 NI/min (C _v 1.35)	
Leak rate :	100 cm ³ /min	
Coil :	Epoxy encapsulated - class A wires - 100% ED (specify mod 0449)	
Voltage range :	-15% to +10% of nominal voltage	
Protection :	IP 65	
Power :	~ Inrush : 10.9 VA Holding : 7.7 VA = 1.8 to 12.7 W	
Response times :	24 V=5.4 W Energize : 9 ms De-energize : 6ms	50Hz/6 W Energize : 5-12 ms De-energize : 6-13 ms

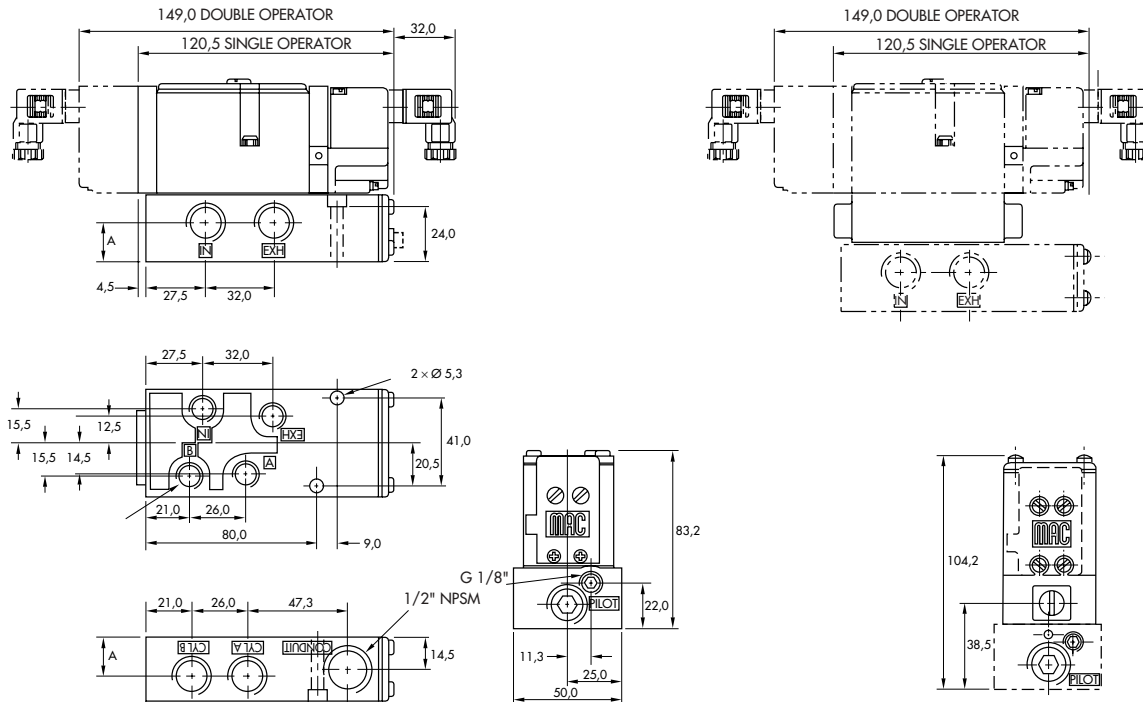
Spare parts :

- Solenoid operator (power ≥ 5.4 W) : 35A-000-DXXX-XXX, including mounting screws 35013.
- Seal between solenoid and pilot body : 16402. • Pilot valve : TM-DXXX-XXX, including seal 16447.
- Mounting screw pilot to main valve : 35023. • Pressure seal between valve and base : 16446.
- Mounting screw valve to base (x2) : 35211.

Options :

- NPTF threads. • Flow controls. • Explosion-proof model.

DIMENSIONS



Function	Port size	Flow [Max]	Individual mounting
4/2 - 4/3	G1/8" - G1/4" - G3/8"	1350 NI/min	sub-base "plug-in"

OPERATIONAL BENEFITS

- Balanced spool, immune to variations of pressure.
- Short stroke with high flow.
- The piston (booster) provides maximum shifting forces.
- Powerful return force thanks to the combination of mechanical and air springs.
- Bonded spool with minimum friction, shifting in a glass-like finished bore.
- Wiping effect eliminates sticking.
- Pilot valve with balanced poppet, high flow, short and consistent response times.
- Long service life.


HOW TO ORDER
Reset
82A-xx-xxx-TM-DxxP-yDA

Port size	Pilot air	4/2 Single operator	4/2 Double operator	4/3 Closed centre	4/3 Open centre	4/3 Pressure centre
Valve less base		<input type="radio"/> 82A-AA-000-TM-DxxP-yDA	<input type="radio"/> 82A-BA-000-TM-DxxP-yDA	<input type="radio"/> 82A-EA-000-TM-DxxP-yDA	<input type="radio"/> 82A-FA-000-TM-DxxP-yDA	<input type="radio"/> 82A-GA-000-TM-DxxP-yDA
sub-base	Internal	<input type="radio"/> 82A-AA-DAA-TM-DxxP-yDA	<input type="radio"/> 82A-BA-DAA-TM-DxxP-yDA	<input type="radio"/> 82A-EA-DAA-TM-DxxP-yDA	<input type="radio"/> 82A-FA-DAA-TM-DxxP-yDA	<input type="radio"/> 82A-GA-DAA-TM-DxxP-yDA
G1/8"	External	<input type="radio"/> 82A-AA-DAD-TM-DxxP-yDA	<input type="radio"/> 82A-BA-DAD-TM-DxxP-yDA	<input type="radio"/> 82A-EA-DAD-TM-DxxP-yDA	<input type="radio"/> 82A-FA-DAD-TM-DxxP-yDA	<input type="radio"/> 82A-GA-DAD-TM-DxxP-yDA
sub-base	Internal	<input type="radio"/> 82A-AA-EAA-TM-DxxP-yDA	<input type="radio"/> 82A-BA-EAA-TM-DxxP-yDA	<input type="radio"/> 82A-EA-EAA-TM-DxxP-yDA	<input type="radio"/> 82A-FA-EAA-TM-DxxP-yDA	<input type="radio"/> 82A-GA-EAA-TM-DxxP-yDA
G1/4"	External	<input type="radio"/> 82A-AA-EAD-TM-DxxP-yDA	<input type="radio"/> 82A-BA-EAD-TM-DxxP-yDA	<input type="radio"/> 82A-EA-EAD-TM-DxxP-yDA	<input type="radio"/> 82A-FA-EAD-TM-DxxP-yDA	<input type="radio"/> 82A-GA-EAD-TM-DxxP-yDA
sub-base	Internal	<input type="radio"/> 82A-AB-FAA-TM-DxxP-yDA	<input type="radio"/> 82A-BA-FAA-TM-DxxP-yDA	<input type="radio"/> 82A-EA-FAA-TM-DxxP-yDA	<input type="radio"/> 82A-FA-FAA-TM-DxxP-yDA	<input type="radio"/> 82A-GA-FAA-TM-DxxP-yDA
G3/8"	External	<input type="radio"/> 82A-AA-FAD-TM-DxxP-yDA	<input type="radio"/> 82A-BA-FAD-TM-DxxP-yDA	<input type="radio"/> 82A-EA-FAD-TM-DxxP-yDA	<input type="radio"/> 82A-FA-FAD-TM-DxxP-yDA	<input type="radio"/> 82A-GA-FAD-TM-DxxP-yDA

SOLENOID OPERATOR >
D xx P- Y DA*

XX Voltage	Y Manual operator
<input type="radio"/> AB 220V~/50Hz	<input type="radio"/> 1 Non-locking
<input type="radio"/> AA 110V~/50Hz	<input type="radio"/> 2 Locking
<input type="radio"/> AC 24V~/50Hz	<input type="radio"/> y Other Options
<input type="radio"/> FB 24V=/1,8W	
<input type="radio"/> DA 24V=/5,4W	
<input type="radio"/> DF 24V=/12,7W	
<input type="radio"/> xx Other Options	

OPTIONS
 82A-AA-000-TM-Dxxx-yDA

 click for dual pressure valves (replace A by C, B by D, E by M, F by L, G by H).

**TECHNICAL
 DATA**

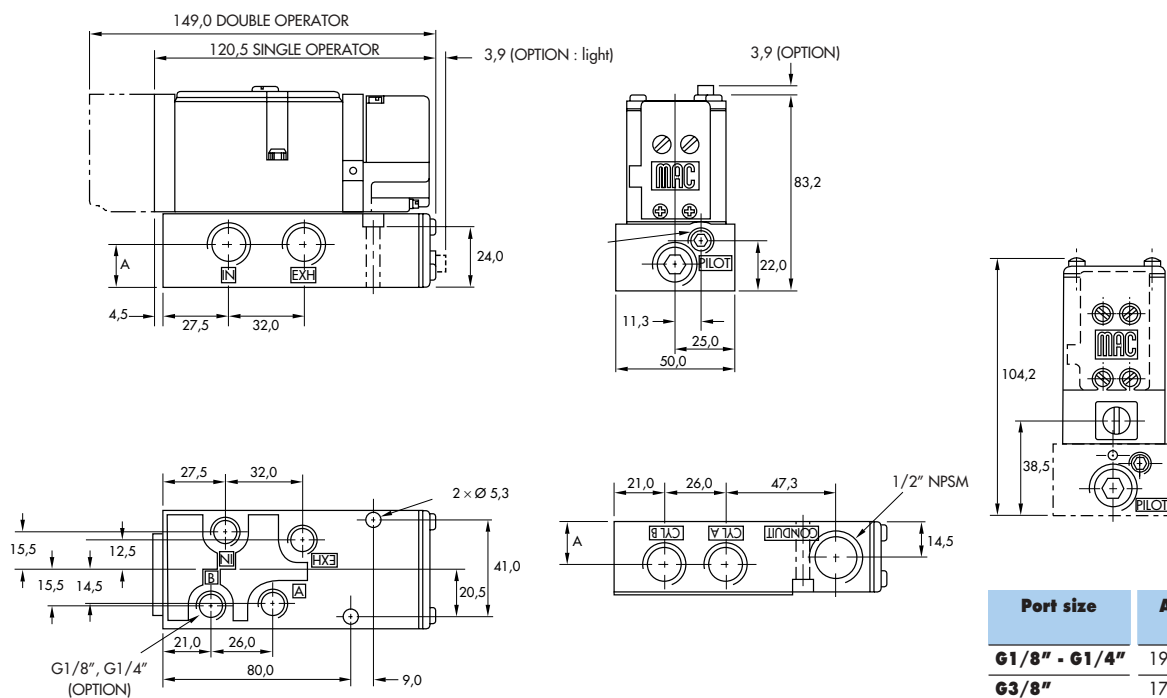
Fluid :	Compressed air, vacuum, inert gases	
Pressure range :	Internal pilot : single operator and 3 positions : 1.8 to 10 bar	double operator : 0.7 to 10 bar
	External pilot : vacuum to 10 bar	
Pilot pressure :	Single operator and 3 positions : 1.8 to 10 bar	Double operator : 0.7 to 10 bar
Lubrication :	Not required, if used select a medium aniline point lubricant (between 80°C and 100°C)	
Filtration :	40 µ	
Temperature range :	-18°C to +50°C	
Orifice :	7 mm	
Flow (at 6 bar, ΔP=1bar) :	G1/8" : 900 Nl/min (C _v 0.9) - G1/4" : 1300 Nl/min (C _v 1.3) - G3/8" : 1350 Nl/min (C _v 1.35)	
Leak rate :	100 cm ³ /min	
Coil :	Epoxy encapsulated - class A wires - 100% ED (specify mod 0449)	
Voltage range :	-15% to +10% of nominal voltage	
Protection :	IP 65	
Power :	~ Inrush : 10.9 VA	Holding : 7.7 VA
	= 1.8 to 12.7 W	
Response times :	24 V=5.4 W	Energize : 9 ms De-energize : 6ms
	50Hz/6 W	Energize : 5-12 ms De-energize : 6-13 ms

Spare parts :

- Solenoid operator (power ≥ 5.4 W) : 35A-000-DXXP-YDA, including mounting screws 35013. • Seal between solenoid and pilot body : 16402.
- Pilot valve : TM-DXXP-YDA, including seal 16447. • Mounting screw pilot to main valve : 35023. • Pressure seal between valve and base : 16446.
- Mounting screw valve to base (x2) : 35211.

Options :

- NPTF threads. • Flow controls. • Explosion-proof model. • Lights in base or valve body.

DIMENSIONS


Function	Port size	Flow [Max]	Manifold mounting
4/2 - 4/3	G1/4" - G3/8"	1350 NI/min	sub-base

OPERATIONAL BENEFITS

- Balanced spool, immune to variations of pressure.
- Short stroke with high flow.
- The piston (booster) provides maximum shifting forces.
- Powerful return force thanks to the combination of mechanical and air springs.
- Bonded spool with minimum friction, shifting in a glass-like finished bore.
- Wiping effect eliminates sticking.
- Pilot valve with balanced poppet, high flow, short and consistent response times.
- Long service life.



HOW TO ORDER

Reset

82A-xx-xxx-TM-Dxxx-xxx

Port size	Pilot air	4/2 Single operator	4/2 Double operator	4/3 Closed centre	4/3 Open centre	4/3 Pressure centre
Valve less base		<input type="radio"/> 82A-AB-000-TM-Dxxx-xxx	<input type="radio"/> 82A-BB-000-TM-Dxxx-xxx	<input type="radio"/> 82A-EB-000-TM-Dxxx-xxx	<input type="radio"/> 82A-FB-000-TM-Dxxx-xxx	<input type="radio"/> 82A-GB-000-TM-Dxxx-xxx
sub-base	Internal	<input type="radio"/> 82A-AB-EKA-TM-Dxxx-xxx	<input type="radio"/> 82A-BB-EKA-TM-Dxxx-xxx	<input type="radio"/> 82A-EB-EKA-TM-Dxxx-xxx	<input type="radio"/> 82A-FB-EKA-TM-Dxxx-xxx	<input type="radio"/> 82A-GB-EKA-TM-Dxxx-xxx
G1/4"	External	<input type="radio"/> 82A-AB-EKD-TM-Dxxx-xxx	<input type="radio"/> 82A-BB-EKD-TM-Dxxx-xxx	<input type="radio"/> 82A-EB-EKD-TM-Dxxx-xxx	<input type="radio"/> 82A-FB-EKD-TM-Dxxx-xxx	<input type="radio"/> 82A-GB-EKD-TM-Dxxx-xxx
sub-base	Internal	<input type="radio"/> 82A-AB-FKA-TM-Dxxx-xxx	<input type="radio"/> 82A-BB-FKA-TM-Dxxx-xxx	<input type="radio"/> 82A-EB-FKA-TM-Dxxx-xxx	<input type="radio"/> 82A-FB-FKA-TM-Dxxx-xxx	<input type="radio"/> 82A-GB-FKA-TM-Dxxx-xxx
G3/8"	External	<input type="radio"/> 82A-AB-FKD-TM-Dxxx-xxx	<input type="radio"/> 82A-BB-FKD-TM-Dxxx-xxx	<input type="radio"/> 82A-EB-FKD-TM-Dxxx-xxx	<input type="radio"/> 82A-FB-FKD-TM-Dxxx-xxx	<input type="radio"/> 82A-GB-FKD-TM-Dxxx-xxx

SOLENOID OPERATOR >

D **XX X - X XX***

XX	Voltage	X	Wire length	X	Manual operator	XX	Electrical connection
<input type="radio"/> AB	220V~/50Hz	<input type="radio"/> A	45 cm (Flying leads)	<input type="radio"/> 1	Non-locking	<input type="radio"/> KA	Square connector
<input type="radio"/> AA	110V~/50Hz	<input type="radio"/> J	Connector	<input type="radio"/> 2	Locking	<input type="radio"/> KD	Square connector with light
<input type="radio"/> AC	24V~/50Hz	<input type="radio"/> x	Other Options	<input type="radio"/> x	Other Options	<input type="radio"/> JB	Rectangular connector
<input type="radio"/> FB	24V=/1,8W					<input type="radio"/> JD	Rectangular connector with light
<input type="radio"/> DA	24V=/5,4W					<input type="radio"/> BA	Flying leads
<input type="radio"/> DF	24V=/12,7W					<input type="radio"/> xx	Other Options
<input type="radio"/> xx	Other Options						

OPTIONS

82A-AB-000-TM-Dxxx-xxx

click for dual pressure valves (replace A by C, B by D, E by M, F by L, G by H).

TECHNICAL DATA

Fluid :	Compressed air, vacuum, inert gases	
Pressure range :	Internal pilot : single operator and 3 positions : 1.8 to 10 bar	double operator : 0.7 to 10 bar
	External pilot : vacuum to 10 bar	
Pilot pressure :	Single operator and 3 positions : 1.8 to 10 bar Double operator : 0.7 to 10 bar	
Lubrication :	Not required, if used select a medium aniline point lubricant (between 80°C and 100°C)	
Filtration :	40 µ	
Temperature range :	-18°C to +50°C	
Orifice :	7 mm	
Flow (at 6 bar, ΔP=1bar) :	G1/4" : 1300 Nl/min (C _v 1.3) - G3/8" : 1350 Nl/min (C _v 1.35)	
Leak rate :	100 cm ³ /min	
Coil :	Epoxy encapsulated - class A wires - 100% ED (specify mod 0449)	
Voltage range :	-15% to +10% of nominal voltage	
Protection :	IP 65	
Power :	~ Inrush : 10.9 VA Holding : 7.7 VA = 1.8 to 12.7 W	
Response times :	24 V=5.4 W Energize : 9 ms De-energize : 6ms	50Hz/6 W Energize : 5-12 ms De-energize : 6-13 ms

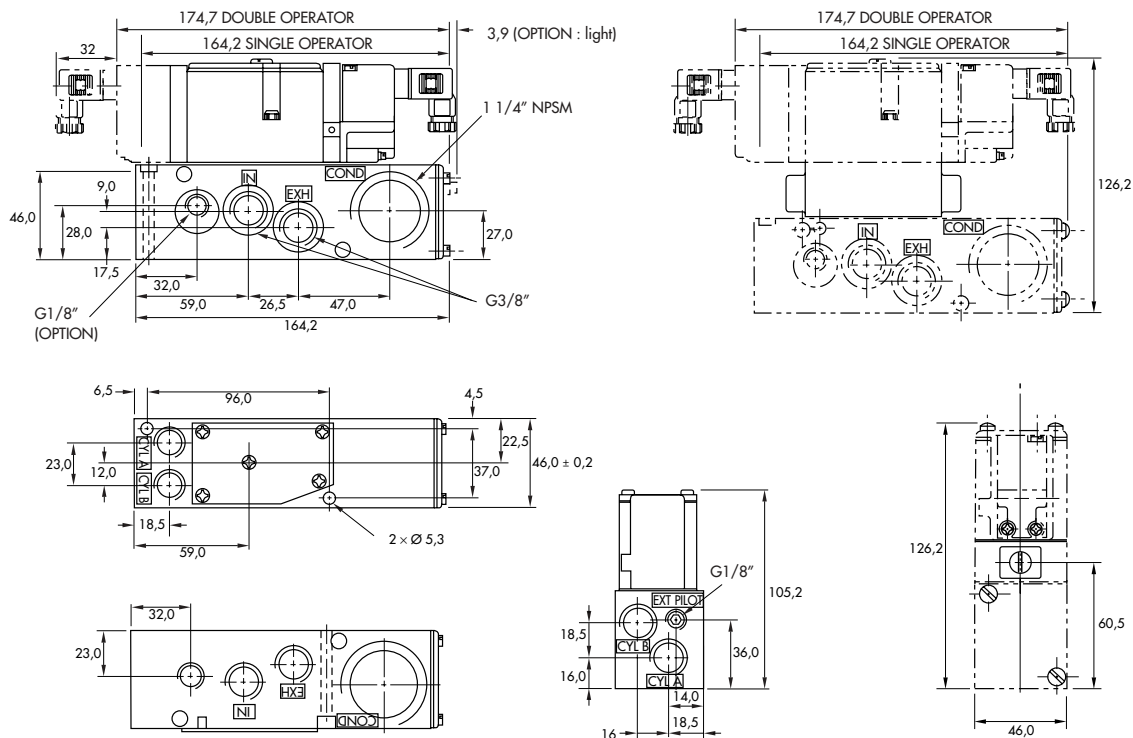
Spare parts :

- Solenoid operator (power ≥ 5.4 W) : 35A-000-DXXX-XXX, including mounting screws 35013.
- Seal between solenoid and pilot body : 16402. • Pilot valve : TM-DXXX-XXX, including seal 16447.
- Mounting screw pilot to main valve : 35023. • Pressure seal between valve and base : 16446.
- Mounting screw valve to base (x2) : 35211. • Tie-rod (x2) : 19731.

Options :

- NPTF threads. • Flow controls. • Explosion-proof model.

DIMENSIONS



Function	Port size	Flow [Max]	Manifold mounting
4/2 - 4/3	G1/4" - G3/8"	1350 NI/min	sub-base "plug-in"

OPERATIONAL BENEFITS

- Balanced spool, immune to variations of pressure.
- Short stroke with high flow.
- The piston (booster) provides maximum shifting forces.
- Powerful return force thanks to the combination of mechanical and air springs.
- Bonded spool with minimum friction, shifting in a glass-like finished bore.
- Wiping effect eliminates sticking.
- Pilot valve with balanced poppet, high flow, short and consistent response times.
- Long service life.


HOW TO ORDER
Reset
82A-xx-xxx-TM-DxxP-xDA

Port size	Pilot air	4/2 Single operator	4/2 Double operator	4/3 centro chiuso	4/3 Open centre	4/3 Pressure centre
Valve less base		<input type="radio"/> 82A-AA-000-TM-DxxP-xDA	<input type="radio"/> 82A-BA-000-TM-DxxP-xDA	<input type="radio"/> 82A-EA-000-TM-DxxP-xDA	<input type="radio"/> 82A-FA-000-TM-DxxP-xDA	<input type="radio"/> 82A-GA-000-TM-DxxP-xDA
sub-base	Internal	<input type="radio"/> 82A-AA-EKA-TM-DxxP-xDA	<input type="radio"/> 82A-BA-EKA-TM-DxxP-xDA	<input type="radio"/> 82A-EA-EKA-TM-DxxP-xDA	<input type="radio"/> 82A-FA-EKA-TM-DxxP-xDA	<input type="radio"/> 82A-GA-EKA-TM-DxxP-xDA
G1/4"	External	<input type="radio"/> 82A-AA-EKD-TM-DxxP-xDA	<input type="radio"/> 82A-BA-EKD-TM-DxxP-xDA	<input type="radio"/> 82A-EA-EKD-TM-DxxP-xDA	<input type="radio"/> 82A-FA-EKD-TM-DxxP-xDA	<input type="radio"/> 82A-GA-EKD-TM-DxxP-xDA
sub-base	Internal	<input type="radio"/> 82A-AA-FKA-TM-DxxP-xDA	<input type="radio"/> 82A-BA-FKA-TM-DxxP-xDA	<input type="radio"/> 82A-EA-FKA-TM-DxxP-xDA	<input type="radio"/> 82A-FA-FKA-TM-DxxP-xDA	<input type="radio"/> 82A-GA-FKA-TM-DxxP-xDA
G3/8"	External	<input type="radio"/> 82A-AA-FKD-TM-DxxP-xDA	<input type="radio"/> 82A-BA-FKD-TM-DxxP-xDA	<input type="radio"/> 82A-EA-FKD-TM-DxxP-xDA	<input type="radio"/> 82A-FA-FKD-TM-DxxP-xDA	<input type="radio"/> 82A-GA-FKD-TM-DxxP-xDA

SOLENOID OPERATOR >
D xx P- x DA*

XX	Voltage	X	Manual operator
<input type="radio"/> AB	220V~/50Hz	<input type="radio"/> 1	Non-locking
<input type="radio"/> AA	110V~/50Hz	<input type="radio"/> 2	Locking
<input type="radio"/> AC	24V~/50Hz	<input type="radio"/> y	Other Options
<input type="radio"/> FB	24V=/1,8W		
<input type="radio"/> DA	24V=/5,4W		
<input type="radio"/> DF	24V=/12,7W		
<input type="radio"/> xx	Other Options		

OPTIONS
 82A-AA-000-TM-DxxP-xDA

 click for dual pressure valves (replace A by C, B by D, E by M, F by L, G by H).

TECHNICAL DATA

Fluid :	Compressed air, vacuum, inert gases	
Pressure range :	Internal pilot : single operator and 3 positions : 1.8 to 10 bar	double operator : 0.7 to 10 bar
	External pilot : vacuum to 10 bar	
Pilot pressure :	Single operator and 3 positions : 1.8 to 10 bar Double operator : 0.7 to 10 bar	
Lubrication :	Not required, if used select a medium aniline point lubricant (between 80°C and 100°C)	
Filtration :	40 µ	
Temperature range :	-18°C to +50°C	
Orifice :	7 mm	
Flow (at 6 bar, ΔP=1 bar) :	G1/4" : 1300 Nl/min (C _v 1.3) - G3/8" : 1350 Nl/min (C _v 1.35)	
Leak rate :	100 cm ³ /min	
Coil :	Epoxy encapsulated - class A wires - 100% ED (specify mod 0449)	
Voltage range :	-15% to +10% of nominal voltage	
Protection :	IP 65	
Power :	~ Inrush : 10.9 VA Holding : 7.7 VA = 1.8 to 12.7 W	
Response times :	24 V=5.4 W Energize : 9 ms De-energize : 6ms	
	50Hz/6 W Energize : 5-12 ms De-energize : 6-13 ms	

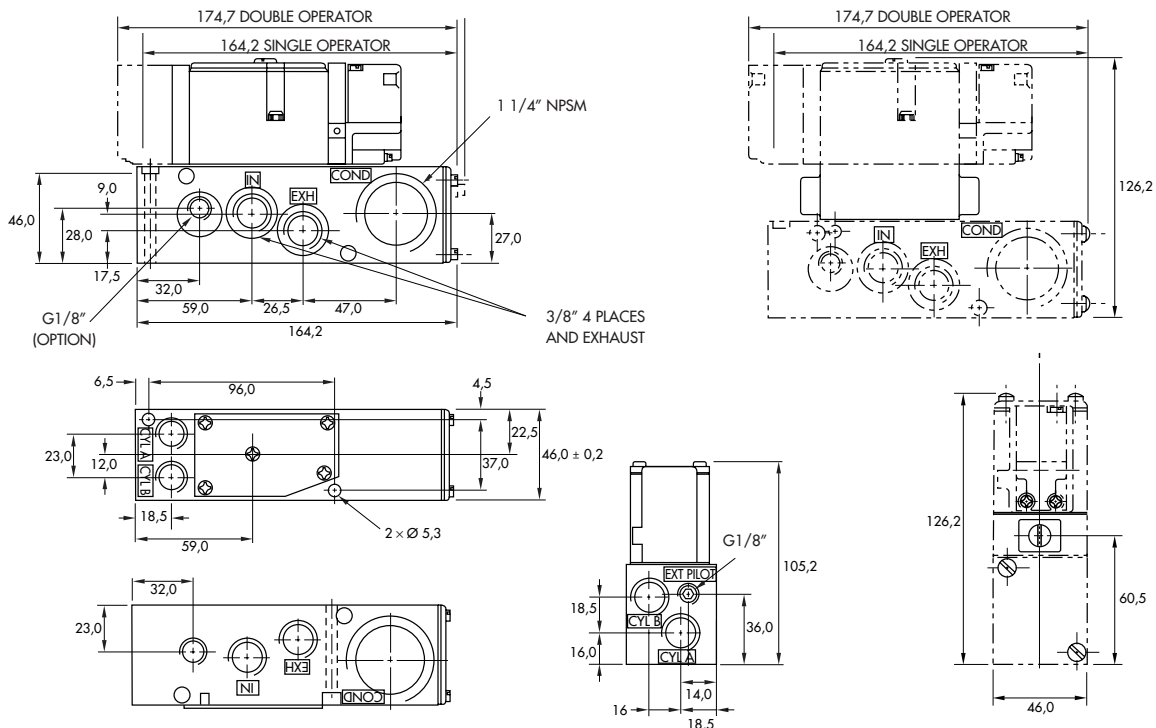
Spare parts :

- Solenoid operator (power ≥ 5.4 W) : 35A-000-DXXP-YDA, including mounting screws 35013.
- Seal between solenoid and pilot body : 16402. • Pilot valve : TM-DXXP-YDA, including seal 16447.
- Mounting screw pilot to main valve : 35023. • Pressure seal between valve and base : 16446.
- Mounting screw valve to base (x2) : 35211. • Tie-rod (x2) : 19731.

Options :

- NPTF threads. • Flow controls. • Explosion-proof model. • Lights in base or valve body.

DIMENSIONS





0 p t i o n s

Codification table for voltages / Wire length / Manual operators / Electrical connections

VALVE CODE >

-D X X X - X X X
1 2 3 4

OPTIONS AVAILABLE FOR

- Solenoid valves 35 & 45 Series

- Pilot operated valves with pilots type 35 Series
Series : 82

1. VOLTAGE

- D XX X - X XX	VOLTAGE
AA	120 V~/60 Hz - 110 V/50 Hz
AB	240 V~/60 Hz - 220 V/50 Hz
AC	24 V~/60 Hz - 24 V/50 Hz
AD	24 V~/60 Hz
AE	200 V~/60 Hz
AF	240 V~/50 Hz
AG	240 V~/50 Hz
DA	24 V=/5,4 W
DB	12 V=/5,4 W
DC	12 V=/7,5 W
DD	24 V=/7,3 W
DE	12 V=/12,7 W CLSF
DF	24 V=/12,7 W CLSF
DK	110 V=/4,7 W
DL	64 V=/6 W
DM	36 V=/5,3 W
DN	6 V=/6 W
DP	48 V=/5,8 W
DU	24 V=/6 W
EA	12 V=/6 W
FA	12 V=/1,8 W
FB	24 V=/1,8 W
FE	12 V=/2,4 W
FF	24 V=/2,4 W

2. WIRE LENGTH

- D XX X - X XX	WIRE LENGTH
A	45 cm - 18"
B	60 cm - 24"
C	90 cm - 36"
D	120 cm - 48"
E	180 cm - 72"
F	240 cm - 96"
J	For external plug-in connector
P	For plug-in valves (82 Series only)

3. MANUAL OPERATOR

- D XX X - X XX MANUAL OPERATOR

0	No operator
1	Non-locking recessed
2	Locking recessed
3	Non-locking extended
4	Locking extended

4. ELECTRICAL CONNECTION

- D XX X - X XX ELECTRICAL CONNECTION

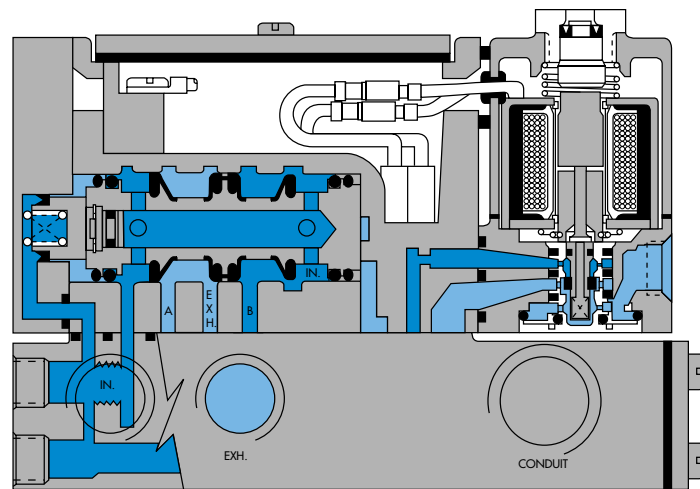
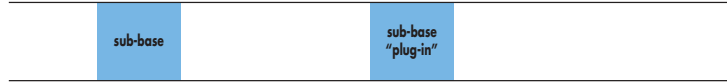
BA	Flying leads
BK	BA with protection diode
BL	BA with protection varistor
CA	1/2" NPS conduit
JB	Rectangular connector
JD	Rectangular connector with light
JM	Rectangular connector, male only
KA	Square connector
KB	Square connector with protection diode
KC	Square connector with protection varistor
KD	Square connector with light
KE	Square connector with light and protection diode
KF	Square connector with light and protection varistor
KJ	Square connector (male only)
KK	Square connector with protection diode (male only)
KL	Square connector with protection varistor (male only)
MA	Electrical common conduit
TA	Dual tabs
TB	TA with protection diode
TD	TA with light
TE	TA with light and protection diode
TJ	Dual tabs (male only)
TK	TJ with protection diode
TM	TJ with light
TN	TJ with light and protection diode
DA*	Plug-in connector
DK*	DA with protection diode
DL*	DA with protection varistor

* To be used with 82 Series only

Individual mounting



Manifold mounting



Function	Port size	Flow [Max]	Individual mounting
4/2 - 4/3	G1/4" - G3/8"	1600 NI/min	sub-base

OPERATIONAL BENEFITS

- Balanced spool, immune to variations of pressure.
- Short stroke with high flow.
- High shifting forces.
- Powerful return force thanks to the combination of mechanical and air springs.
- Bonded spool with minimum friction, shifting in a glass-like finished bore.
- Wiping effect eliminates sticking.
- Pilot valve with balanced poppet, high flow, short and consistent response times.
- Long service life.



HOW TO ORDER

Reset

xxxxx-xxx-PM-xyzz

Port size	Pilot air	4/2 Single operator	4/2 Double operator	4/3 Closed centre	4/3 Open centre
Valve less base		<input type="radio"/> 6212C-000-PM- xyzz	<input type="radio"/> 6222C-000-PM- xyzz	<input type="radio"/> 6232C-000-PM- xyzz	<input type="radio"/> 6242C-000-PM- xyzz
sub-base G1/4"	Internal	<input type="radio"/> 6212C-171-PM- xyzz	<input type="radio"/> 6222C-171-PM- xyzz	<input type="radio"/> 6232C-171-PM- xyzz	<input type="radio"/> 6242C-171-PM- xyzz
	External	<input type="radio"/> 6212C-181-PM- xyzz	<input type="radio"/> 6222C-181-PM- xyzz	<input type="radio"/> 6232C-181-PM- xyzz	<input type="radio"/> 6242C-181-PM- xyzz
sub-base G3/8"	Internal	<input type="radio"/> 6212C-271-PM- xyzz	<input type="radio"/> 6222C-271-PM- xyzz	<input type="radio"/> 6232C-271-PM- xyzz	<input type="radio"/> 6242C-271-PM- xyzz
	External	<input type="radio"/> 6212C-281-PM- xyzz	<input type="radio"/> 6222C-281-PM- xyzz	<input type="radio"/> 6232C-281-PM- xyzz	<input type="radio"/> 6242C-281-PM- xyzz

SOLENOID OPERATOR >

XX Y ZZ*

XX Voltage	Y Manual operator	ZZ Electrical connection
<input type="radio"/> 11 110V~/50Hz	<input type="radio"/> 1 Non-locking	<input type="radio"/> JB Rectangular connector
<input type="radio"/> 12 220V~/50Hz	<input type="radio"/> 2 Locking	<input type="radio"/> JD Rectangular connector with light
<input type="radio"/> 22 24V~/50Hz	<input type="radio"/> y Other Options	<input type="radio"/> JA Square connector
<input type="radio"/> 59 24V=/2,5W		<input type="radio"/> JC Square connector with light
<input type="radio"/> 87 24V=/17,1W		<input type="radio"/> BA Flying leads (45 cm)
<input type="radio"/> 61 24V=/8,5W		<input type="radio"/> zz Other Options
<input type="radio"/> xx Other Options		

OPTIONS

6212C-000-PM-**xyzz**

click for bottom cylinder ports (replace by 4).

TECHNICAL
DATA

Fluid :	Compressed air, vacuum, inert gases	
Pressure range :	Internal pilot : single operator and 3 positions : 1.8 to 10 bar	double operator : 0.7 to 10 bar
	External pilot : vacuum to 10 bar	
Pilot pressure :	Single operator and 3 positions : 1,8 to 10 bar Double operator : 0,7 to 10 bar	
Lubrication :	Not required, if used select a medium aniline point lubricant (between 80°C and 100°C)	
Filtration :	40 µ	
Temperature range :	-18°C to +50°C	
Orifice :	7 mm	
Flow (at 6 bar, ΔP=1bar) :	G1/4" : 1500 Nl/min (C _v 1.5) - G3/8" : 1600 Nl/min (C _v 1.6)	
Leak rate :	100 cm ³ /min	
Coil :	Epoxy encapsulated - class A wires - 100% ED (specify mod 0449)	
Voltage range :	-15% to +10% of nominal voltage	
Protection :	IP 65	
Power :	~ Inrush : 14.8 VA Holding : 10.9 VA = 1 to 17.1 W	
Response times :	24 V=8.5 W	Energize : 10 ms De-energize : 9ms
	50Hz/6 W	Energize : 7-13 ms De-energize : 8-15 ms

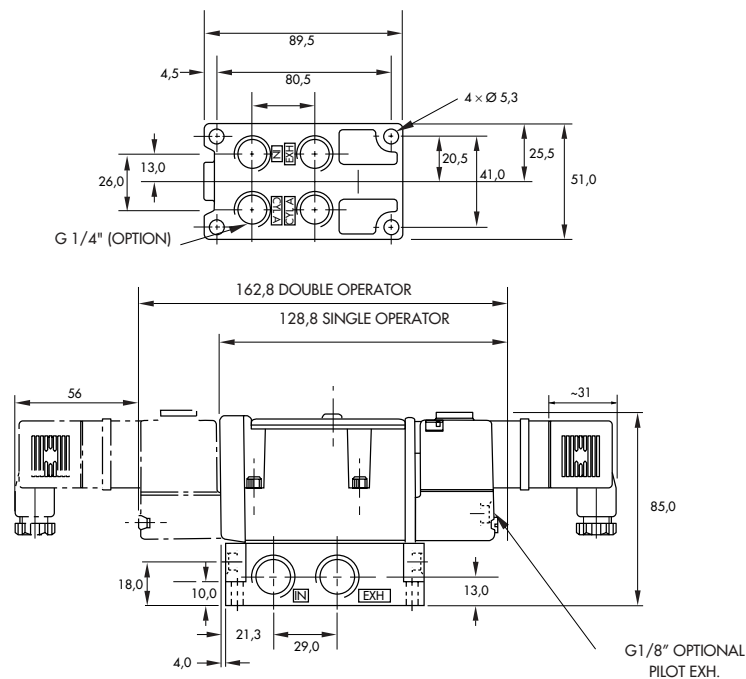
Spare parts :

- Solenoid operator (power ≥ 4 W) : D1-XXYZZ1, including mounting screws 35206 and seal 16234.
- Pilot valve : PME-XXYZZ, including seal 16337. • Pressure seal between valve and base : 16386.
- Mounting screw valve to base (x4) : 35211.

Options :

- NPTF threads.

DIMENSIONS



Function	Port size	Flow [Max]	Individual mounting
4/2 - 4/3	G1/4" - G3/8"	1600 NI/min	sub-base "plug-in"

OPERATIONAL BENEFITS

- Balanced spool, immune to variations of pressure.
- Short stroke with high flow.
- High shifting forces.
- Powerful return force thanks to the combination of mechanical and air springs.
- Bonded spool with minimum friction, shifting in a glass-like finished bore.
- Wiping effect eliminates sticking.
- Pilot valve with balanced poppet, high flow, short and consistent response times.
- Long service life.



HOW TO ORDER

Reset

xxxxx-xxx-PM-xyyDA

Port size	Pilot air	4/2 Single operator	4/2 Double operator	4/3 Closed centre	4/3 Open centre
Valve less base		6211C-000-PM-xyyDA	6221C-000-PM-xyyDA	6231C-000-PM-xyyDA	6241C-000-PM-xyyDA
sub-base G1/4"	Internal	6211C-151-PM-xyyDA	6221C-151-PM-xyyDA	6231C-151-PM-xyyDA	6241C-151-PM-xyyDA
	External	6211C-161-PM-xyyDA	6221C-161-PM-xyyDA	6231C-161-PM-xyyDA	6241C-161-PM-xyyDA
sub-base G3/8"	Internal	6211C-251-PM-xyyDA	6221C-251-PM-xyyDA	6231C-251-PM-xyyDA	6241C-251-PM-xyyDA
	External	6211C-261-PM-xyyDA	6221C-261-PM-xyyDA	6231C-261-PM-xyyDA	6241C-261-PM-xyyDA

SOLENOID OPERATOR >

XX Y DA*

XX Voltage	Y Manual operator
<input type="radio"/> 11 110V~/50Hz	<input type="radio"/> 1 Non-locking
<input type="radio"/> 12 220V~/50Hz	<input type="radio"/> 2 Locking
<input type="radio"/> 22 24V=/50Hz	<input type="radio"/> y Other Options
<input type="radio"/> 59 24V=/2,5W	
<input type="radio"/> 87 24V=/17,1W	
<input type="radio"/> 61 24V=/8,5W	
<input type="radio"/> xx Other Options	

OPTIONS

6211C-000-PM-xyyDA

- click for bottom cylinder ports (replace by 4).
- click for lights on valve (replace by 3).

TECHNICAL
DATA

Fluid :	Compressed air, vacuum, inert gases
Pressure range :	Internal pilot : single operator and 3 positions : 1,8 to 10 bar double operator : 0.7 to 10 bar External pilot : vacuum to 10 bar
Pilot pressure :	Single operator and 3 positions : 1.8 to 10 bar Double operator : 0.7 to 10 bar
Lubrication :	Not required, if used select a medium aniline point lubricant (between 80°C and 100°C)
Filtration :	40 µ
Temperature range :	-18°C to +50°C
Orifice :	7 mm
Flow (at 6 bar, ΔP=1 bar) :	G1/4" : 1500 Nl/min (C _v 1.5) - G3/8" : 1600 Nl/min (C _v 1.6)
Leak rate :	100 cm ³ /min
Coil :	Epoxy encapsulated - class A wires - 100% ED (specify mod 0449)
Voltage range :	-15% to +10% of nominal voltage
Protection :	IP 65
Power :	~ Inrush : 14.8 VA Holding : 10.9 VA = 1 to 17.1 W
Response times :	24 V=8.5 W Energize : 10 ms De-energize : 9ms 50Hz/6 W Energize : 7-13 ms De-energize : 8-15 ms

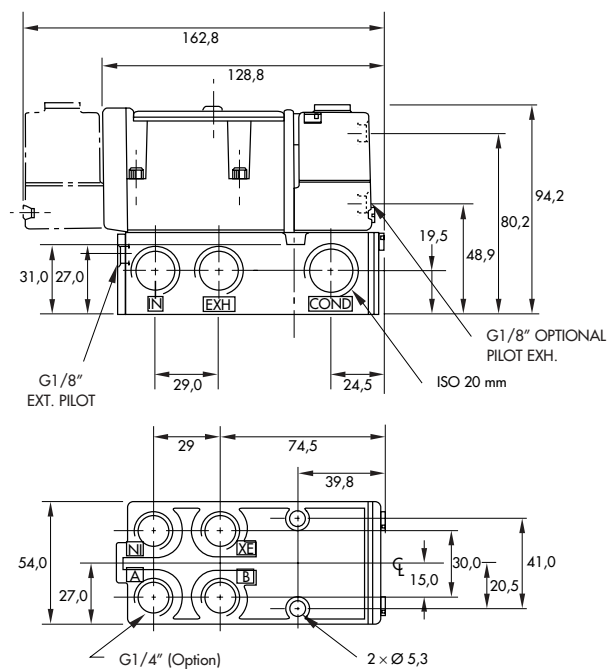
Spare parts :

- Solenoid operator (power ≥4 W) : D1-XXYDA1-BE, including mounting screws 35206 and seal 16234.
- Pilot valve : PME-XXYDA-BE, including seal 16337. • Pressure seal between valve and base : 16386.
- Mounting screw valve to base (x4) : 35211.

Options :

- NPTF threads. • Lights in base.

DIMENSIONS



Function	Port size	Flow [Max]	Manifold mounting
4/2 - 4/3	G1/4" - G3/8"	1600 NI/min	sub-base

OPERATIONAL BENEFITS

- Balanced spool, immune to variations of pressure.
- Short stroke with high flow.
- High shifting forces.
- Powerful return force thanks to the combination of mechanical and air springs.
- Bonded spool with minimum friction, shifting in a glass-like finished bore.
- Wiping effect eliminates sticking.
- Pilot valve with balanced poppet, high flow, short and consistent response times.
- Long service life.



HOW TO ORDER

Reset

xxxxx-xxx-PM-xyzz

Port size	Pilot air	4/2 Single operator	4/2 Double operator	4/3 Closed centre	4/3 Open centre
Valve less base		<input type="radio"/> 6212C-000-PM- xyzz	<input type="radio"/> 6222C-000-PM- xyzz	<input type="radio"/> 6232C-000-PM- xyzz	<input type="radio"/> 6242C-000-PM- xyzz
sub-base G1/4"	Internal	<input type="radio"/> 6212C-471-PM- xyzz	<input type="radio"/> 6222C-471-PM- xyzz	<input type="radio"/> 6232C-471-PM- xyzz	<input type="radio"/> 6242C-471-PM- xyzz
	External	<input type="radio"/> 6212C-481-PM- xyzz	<input type="radio"/> 6222C-481-PM- xyzz	<input type="radio"/> 6232C-481-PM- xyzz	<input type="radio"/> 6242C-481-PM- xyzz
sub-base G3/8"	Internal	<input type="radio"/> 6212C-571-PM- xyzz	<input type="radio"/> 6222C-571-PM- xyzz	<input type="radio"/> 6232C-571-PM- xyzz	<input type="radio"/> 6242C-571-PM- xyzz
	External	<input type="radio"/> 6212C-581-PM- xyzz	<input type="radio"/> 6222C-581-PM- xyzz	<input type="radio"/> 6232C-581-PM- xyzz	<input type="radio"/> 6242C-581-PM- xyzz

SOLENOID OPERATOR >

XX Y ZZ*

XX Voltage	Y Manual operator	ZZ Electrical connection
<input type="radio"/> 11 110V~/50Hz	<input type="radio"/> 1 Non-locking	<input type="radio"/> JB Rectangular connector
<input type="radio"/> 12 220V~/50Hz	<input type="radio"/> 2 Locking	<input type="radio"/> JD Rectangular connector with light
<input type="radio"/> 22 24V~/50Hz	<input type="radio"/> y Other Options	<input type="radio"/> JA Square connector
<input type="radio"/> 59 24V=/2,5W		<input type="radio"/> JC Square connector with light
<input type="radio"/> 87 24V=/17,1W		<input type="radio"/> BA Flying leads (45 cm)
<input type="radio"/> 61 24V=/8,5W		<input type="radio"/> zz Other Options
<input type="radio"/> xx Other Options		

OPTIONS

6212C-000-PM-**xyzz**

click for bottom cylinder ports (replace by 4).

TECHNICAL
DATA

Fluid :	Compressed air, vacuum, inert gases	
Pressure range :	Internal pilot : single operator and 3 positions : 1.8 to 10 bar	double operator : 0.7 to 10 bar
	External pilot : vacuum to 10 bar	
Pilot pressure :	Single operator and 3 positions : 1.8 to 10 bar	Double operator : 0.7 to 10 bar
Lubrication :	Not required, if used select a medium aniline point lubricant (between 80°C and 100°C)	
Filtration :	40 µ	
Temperature range :	-18°C to +50°C	
Orifice :	7 mm	
Flow (at 6 bar, ΔP=1bar) :	G1/4" : 1500 Nl/min (C _v 1.5) - G3/8" : 1600 Nl/min (C _v 1.6)	
Leak rate :	100 cm ³ /min	
Coil :	Epoxy encapsulated - class A wires - 100% ED (specify mod 0449)	
Voltage range :	-15% to +10% of nominal voltage	
Protection :	IP 65	
Power :	~ Inrush : 14.8 VA	Holding : 10.9 VA
	= 1 to 17.1 W	
Response times :	24 V=8.5 W	Energize : 10 ms De-energize : 9ms
	50Hz/6 W	Energize : 7-13 ms De-energize : 8-15 ms

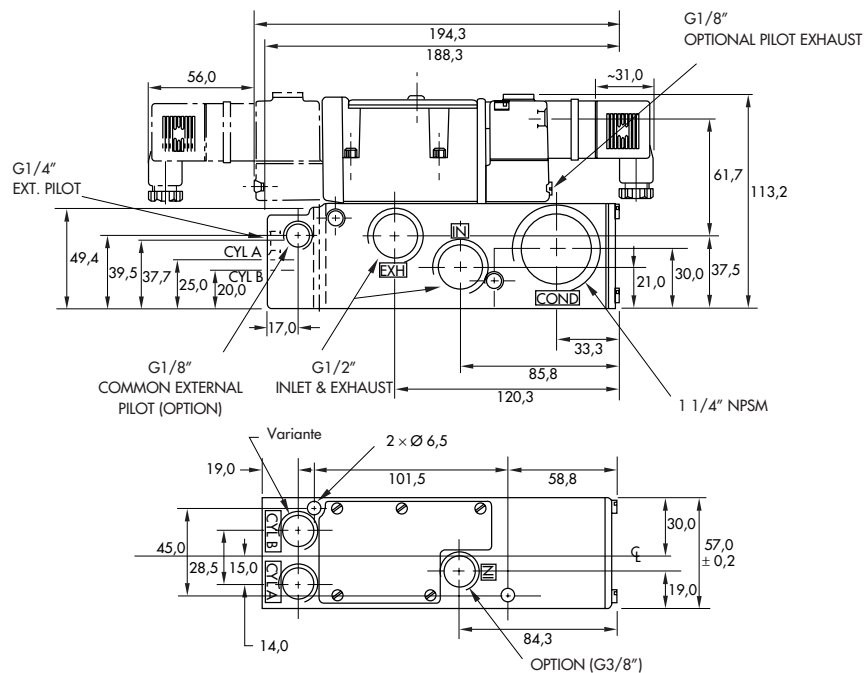
Spare parts :

- Solenoid operator (power ≥ 4 W) : D1-XXYZZ1, including mounting screws 35206 and seal 16234.
- Pilot valve : PME-XXYZZ, including seal 16337. • Pressure seal between valve and base : 16386.
- Mounting screw valve to base (x4) : 35211. • Tie rod (x2) : 19696

Options :

- NPTF threads.

DIMENSIONS



Function	Port size	Flow [Max]	Manifold mounting
4/2 - 4/3	G1/4" - G3/8"	1600 NI/min	sub-base "plug-in"

OPERATIONAL BENEFITS

- Balanced spool, immune to variations of pressure.
- Short stroke with high flow.
- High shifting forces.
- Powerful return force thanks to the combination of mechanical and air springs.
- Bonded spool with minimum friction, shifting in a glass-like finished bore.
- Wiping effect eliminates sticking.
- Pilot valve with balanced poppet, high flow, short and consistent response times.
- Long service life.



HOW TO ORDER

Reset

xxxxx-xxx-PM-xyyDA

Port size	Pilot air	4/2 Single operator	4/2 Double operator	4/3 Closed centre	4/3 Open centre
Valve less base		<input type="radio"/> 6211C-000-PM-xyyDA	<input type="radio"/> 6221C-000-PM-xyyDA	<input type="radio"/> 6231C-000-PM-xyyDA	<input type="radio"/> 6241C-000-PM-xyyDA
sub-base G1/4"	Internal	<input type="radio"/> 6211C-451-PM-xyyDA	<input type="radio"/> 6221C-451-PM-xyyDA	<input type="radio"/> 6231C-451-PM-xyyDA	<input type="radio"/> 6241C-451-PM-xyyDA
	External	<input type="radio"/> 6211C-461-PM-xyyDA	<input type="radio"/> 6221C-461-PM-xyyDA	<input type="radio"/> 6231C-461-PM-xyyDA	<input type="radio"/> 6241C-461-PM-xyyDA
sub-base G3/8"	Internal	<input type="radio"/> 6211C-551-PM-xyyDA	<input type="radio"/> 6221C-551-PM-xyyDA	<input type="radio"/> 6231C-551-PM-xyyDA	<input type="radio"/> 6241C-551-PM-xyyDA
	External	<input type="radio"/> 6211C-561-PM-xyyDA	<input type="radio"/> 6221C-561-PM-xyyDA	<input type="radio"/> 6231C-561-PM-xyyDA	<input type="radio"/> 6241C-561-PM-xyyDA

SOLENOID OPERATOR >

XX Y DA*

XX Voltage	Y Manual operator
<input type="radio"/> 11 110V~/50Hz	<input type="radio"/> 1 Non-locking
<input type="radio"/> 12 220V~/50Hz	<input type="radio"/> 2 Locking
<input type="radio"/> 22 24V~/50Hz	<input type="radio"/> y Other Options
<input type="radio"/> 59 24V=/2,5W	
<input type="radio"/> 87 24V=/17,1W	
<input type="radio"/> 61 24V=/8,5W	
<input type="radio"/> xx Other Options	

OPTIONS

6211C-000-PM-xyyDA

- click for bottom cylinder ports (replace by 4).
- click for lights on valve (replace by 3).

TECHNICAL
DATA

Fluid :	Compressed air, vacuum, inert gases
Pressure range :	Internal pilot : single operator and 3 positions : 1.8 to 10 bar double operator : 0.7 to 10 bar External pilot : vacuum to 10 bar
Pilot pressure :	Single operator and 3 positions : 1.8 to 10 bar Double operator : 0.7 to 10 bar
Lubrication :	Not required, if used select a medium aniline point lubricant (between 80°C and 100°C)
Filtration :	40 µ
Temperature range :	-18°C to +50°C
Orifice :	7 mm
Flow (at 6 bar, ΔP=1 bar) :	G1/4" : 1500 Nl/min (C _v 1.5) - G3/8" : 1600 Nl/min (C _v 1.6)
Leak rate :	100 cm ³ /min
Coil :	Epoxy encapsulated - class A wires - 100% ED (specify mod 0449)
Voltage range :	-15% to +10% of nominal voltage
Protection :	IP 65
Power :	~ Inrush : 14.8 VA Holding : 10.9 VA = 1 to 17.1 W
Response times :	24 V=8.5 W Energize : 10 ms De-energize : 9ms 50Hz/6 W Energize : 7-13 ms De-energize : 8-15 ms

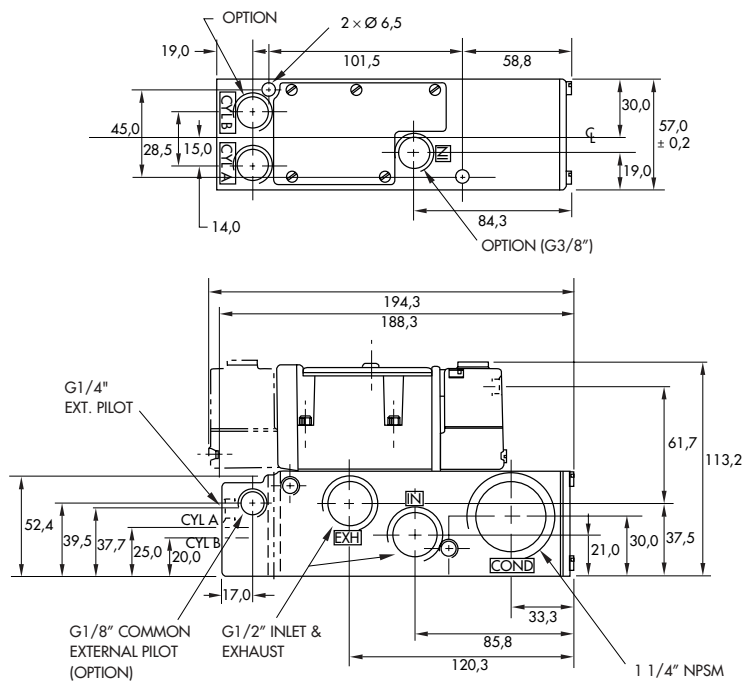
Spare parts :

- Solenoid operator (power ≥ 4 W) : D1-XXYDA1-BE, including mounting screws 35206 and seal 16234.
- Pilot valve : PME-XXYDA-BE, including seal 16337. • Pressure seal between valve and base : 16386.
- Mounting screw valve to base (x4) : 35211. • Tie rod (x2) : 19696.

Options :

- NPTF threads. • Lights in base.

DIMENSIONS





Codification table for voltages / Manual operator / Electrical connection / Wire length

VALVE CODE >

-XX Y ZZ (-VV)
1 2 3 4

OPTIONS AVAILABLE FOR	OPTIONS AVAILABLE FOR
- valves type 100 Series - pilot valves "CNOMO"	- valves type 200 Series
- Pilot operated valves with pilots type 100 Series Series : 55 - 56 - 700 - 800 - 900 - 6200 - 6300 - 6500 - 6600 - 1300 - ISO 1 - ISO 2 - ISO 3.	- pilot operated valves with pilots type 200 Series Series : 200 - 57 - 58 - 59.
- Pilot operated valves with pilots "CNOMO" Series : ISO1 - ISO2 - ISO3	

1. VOLTAGE (type 100 Series)		1. VOLTAGE (type 200 Series)	
- XX Y ZZ	VOLTAGE	- XX Y ZZ	VOLTAGE
11	120 V~/60 Hz - 110 V~/50 Hz	11	120 V~/60 Hz - 110 V~/50 Hz - 24 V=
12	240 V~/60 Hz - 220 V~/50 Hz	12	240 V~/60 Hz - 220 V~/50 Hz
13	100 V~/60 Hz - 100 V~/50 Hz	13	100 V~/60 Hz - 100 V~/50 Hz
15	200 V~/60 Hz - 200 V~/50 Hz	14	200 V~/60 Hz - 200 V~/50 Hz
16	10 V~/60 Hz	20	6 V~/60 Hz
20	6 V~/60 Hz	21	12 V~/60 Hz
21	12 V~/50 Hz - 12 V~/60 Hz	22	24 V~/60 Hz - 24 V~/50 Hz
22	24 V~/60 Hz - 24 V~/50 Hz	23	32 V~/60 Hz - 32 V~/50 Hz
23	32 V~/60 Hz - 32 V~/50 Hz	24	48 V~/60 Hz - 42 V~/50 Hz
24	48 V~/60 Hz - 42 V~/50 Hz	25	240 V~/50 Hz
26	380 V~/50 Hz, 440 V~/50 Hz -440 V~/60 Hz, 480 V~/60 Hz-CLSF	26	480 V~/60 Hz - 440 V~/50 Hz
29	200 V~/60 Hz	27	127 V~/60 Hz
34	127 V~/50 Hz - 120 V~/50 Hz	28	415 V~/50 Hz
35	48 V~/50 Hz	29	200 V~/60 Hz
36	16 V~/60 Hz	30	380 V~/50 Hz
B1	24 V~/50 Hz	31	550 V~/60 Hz - 550 V~/50 Hz
50	24 V=/6 W	32	120 V~/60 Hz - 110 V~/50 Hz
51	24 V=/4 W	33	600 V~/60 Hz
54	12 V=/4 W	34	127 V~/50 Hz
55	12 V=/6 W	35	48 V~/50 Hz
57	12 V=/2,5 W	50	24 V=/6 W
59	24 V=/2,5 W	51	24 V=/4,5 W
60	12 V=/8,5 W	52	24 V=/2,5 W
61	24 V=/8,5 W	53	24 V=/1 W
64	6 V=/6 W	55	12 V=/6 W
65	32 V=/7 W	57	12 V=/2,5 W
66	48 V=/5,8 W	58	48 V=/2,5 W
67	64 V=/7,5 W	60	12 V=/9,5 W
68	120 V=/6,4 W	61	24 V=/8,5 W
69	220 V=/8,7 W - 250 V=/11,2 W CLSF	64	6 V=/8,5 W
75	90 V=/8,8 W CLSF	65	32 V=/10 W
76	100 V=/6,9 W CLSF	66	48 V=/11,5 W
84	125 V=/10,9 W CLSF	67	64 V=/10,5 W
87	24 V=/17,1 W CLSF	68	120 V=/12,3 W
88	12 V=/17,4 W CLSF	69	250 V=/9,2 W
89	36 V=/18,8 W CLSF	71	8 V=/8,2 W
90	28 V=/8,2 W	72	24 V=/12 W
91	6 V=/10,6 W CLSF	73	198 V=/10 W
92	190 V=/6,5 W	74	72 V=/11,3 W
94	3 V=/7 W	75	90 V=/11,3 W
95	38 V=/6,4 W	76	100 V=/9 W
A1	24 V=/1 W	77	220 V=/10 W - 230 V=/1,6 W
A2	12 V=/1 W	78	24 V=/24 W CLSF
A3	9 V=/1 W	80	55 V=/10,6 W CLSF
MOD. DD01 : Protection diode (DC)		82	179 V=/11,1 W
MOD. MOV1 : Protection varistor (AC)		83	15 V=/8,1 W
MOD. DD01 : max. 8,5 W		84	125 V=/10 W
MOD. MOV1 : max. 8,5 W		86	36 V=/11 W
		93	12 V=/24 W CLSF

2. MANUAL OPERATOR (Common options for 100 & 200 Series)

- XX Y ZZ	MANUAL OPERATOR
0	No operator
1	Non-locking recessed
2	Locking recessed
3	Non-locking extended
4	Locking extended

3. ELECTRICAL CONNECTION (type 100 Series)

- XX Y ZZ	ELECTRICAL CONNECTION
AA	Wiring box with 1/2" NPS conduit
BA	Flying leads
CA	1/2" NPS conduit
CC	1/2" NPS conduit
FA	Military type 2 PIN
GA	Military type 3 PIN
HA	AA with ground wire
JA*	Square connector
JB	Rectangular connector
JC*	Square connector with light
JD	Rectangular connector with light
JE	Square connector on top (ISO2, ISO3)
JF	Rectangular connector on top (ISO1, ISO2, ISO3)
JG	JE with light
JH	JF with light
JJ	Square connector, male only
JM	Rectangular connector, male only
MA	Electrical common conduit
MB	Electrical common conduit
NA	CA with ground wire
NC	CC with ground wire
RA	3/8" NPS conduit
AD	Wiring box 20 mm
AH	Wiring box PG 13,5 with ground wire
CD	20 mm conduit
CG	PG 11 conduit
HH	Wiring box PG 13,5 with ground wire
ND	20 mm conduit with ground wire
NG	PG11 conduit with ground wire
HD	20 mm wiring box with ground wire

3. ELECTRICAL CONNECTION (type 200 Series)

- XX Y ZZ	ELECTRICAL CONNECTION
AA	Wiring box with 1/2" NPS conduit
BA	Flying leads
CA	1/2" NPS conduit
CC	1/2" NPS conduit
EA	Explosion proof (200 Series)
EA	Explosion proof (57, 58 & 59 Series)
EE	Explosion proof (CENELEC)
EN	Explosion proof with ground wire
FA	Military type 2 PIN
GA	Military type 3 PIN
HA	AA with ground wire
JA*	Square connector
JC	Square connector with light
JJ	Square connector, male only
NA	CA with ground wire
NC	CC with ground wire
AD	Wiring box 20 mm
AK	PG 16 wiring box
CD	20 mm conduit
CK	PG 16 conduit
HD	20 mm wiring box with ground wire
HK	PG16 wiring box with ground wire
ND	20 mm conduit with ground wire
NK	PG16 wiring box with ground wire

* Not to be used with 100, 800 and 900 Series manifold mounting

4. WIRE LENGTH (Common options for 100 & 200 Series)

- XX Y ZZ (-VV)	WIRE LENGTH
AA	45 cm - 18"
AB	60 cm - 24"
AD	90 cm - 36"
AE	120 cm - 48"
AF	180 cm - 72"
AG	15 cm - 6"
AR	30 cm - 12"
AU	305 cm - 120"
BA	152 cm - 60"
BB	366 cm - 144"

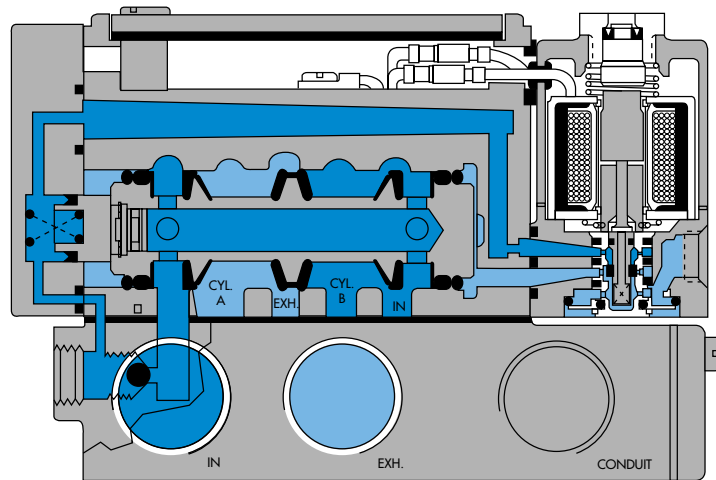
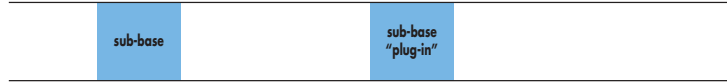
Series 6000 : wire length, delivered with the base

MOD L024	60 cm - 24"
MOD L036	91 cm - 36"
MOD L048	122 cm - 48"
MOD L060	152 cm - 60"
MOD L072	180 cm - 72"
MOD L120	305 cm - 120"

Individual mounting



Manifold mounting



Function	Port size	Flow [Max]	Individual mounting
4/2 - 4/3	G1/4" - G3/8" - G1/2"	3000 NI/min	sub-base

OPERATIONAL BENEFITS

- Balanced spool, immune to variations of pressure.
- Short stroke with high flow.
- High shifting forces.
- Checked accumulator guarantees maximum pilot pressure.
- Powerful return force thanks to the combination of mechanical and air springs.
- Bonded spool with minimum friction, shifting in a glass-like finished bore.
- Wiping effect eliminates sticking.
- Pilot valve with balanced poppet, high flow, short and consistent response times.



HOW TO ORDER

Reset

xxxxx-xxx-PM-xyzz

Port size	Pilot air	4/2 Single operator	4/2 Double operator	4/3 Closed centre	4/3 Open centre
Valve less base		<input type="radio"/> 6312D-000-PM-xyzz	<input type="radio"/> 6322D-000-PM-xyzz	<input type="radio"/> 6332D-000-PM-xyzz	<input type="radio"/> 6342D-000-PM-xyzz
sub-base	Internal	<input type="radio"/> 6312D-171-PM-xyzz	<input type="radio"/> 6322D-171-PM-xyzz	<input type="radio"/> 6332D-171-PM-xyzz	<input type="radio"/> 6342D-171-PM-xyzz
G1/4"	External	<input type="radio"/> 6312D-181-PM-xyzz	<input type="radio"/> 6322D-181-PM-xyzz	<input type="radio"/> 6332D-181-PM-xyzz	<input type="radio"/> 6342D-181-PM-xyzz
sub-base	Internal	<input type="radio"/> 6312D-271-PM-xyzz	<input type="radio"/> 6322D-271-PM-xyzz	<input type="radio"/> 6332D-271-PM-xyzz	<input type="radio"/> 6342D-271-PM-xyzz
G3/8"	External	<input type="radio"/> 6312D-281-PM-xyzz	<input type="radio"/> 6322D-281-PM-xyzz	<input type="radio"/> 6332D-281-PM-xyzz	<input type="radio"/> 6342D-281-PM-xyzz
sub-base	Internal	<input type="radio"/> 6312D-371-PM-xyzz	<input type="radio"/> 6322D-371-PM-xyzz	<input type="radio"/> 6332D-371-PM-xyzz	<input type="radio"/> 6342D-371-PM-xyzz
G1/2"	External	<input type="radio"/> 6312D-381-PM-xyzz	<input type="radio"/> 6322D-381-PM-xyzz	<input type="radio"/> 6332D-381-PM-xyzz	<input type="radio"/> 6342D-381-PM-xyzz

SOLENOID OPERATOR >

XX Y ZZ

XX	Voltage	Y	Manual operator	ZZ	Electrical connection
<input type="radio"/> 11	110V~/50Hz	<input type="radio"/> 1	Non-locking	<input type="radio"/> JB	Rectangular connector
<input type="radio"/> 12	220V~/50Hz	<input type="radio"/> 2	Locking	<input type="radio"/> JD	Rectangular connector with light
<input type="radio"/> 22	24V~/50Hz	<input type="radio"/> y	Other Options	<input type="radio"/> JA	Square connector
<input type="radio"/> 59	24V=/2,5W			<input type="radio"/> JC	Square connector with light
<input type="radio"/> 87	24V=/17,1W			<input type="radio"/> BA	Flying leads (45 cm)
<input type="radio"/> 61	24V=/8,5W			<input type="radio"/> zz	Other Options
<input type="radio"/> xx	Other Options				

OPTIONS

6312D-000-PM-xyzz

- click for bottom cylinder ports (excluding G 1/2") (replace by 4).
- click for dual pressure valves (replace by 5).

**TECHNICAL
DATA**

Fluid :	Compressed air, vacuum, inert gases	
Pressure range :	Internal pilot : single operator and 3 positions : 1.8 to 10 bar	double operator : 0.7 to 10 bar
	External pilot : vacuum to 10 bar	
Pilot pressure :	Single operator and 3 positions : 1.8 to 10 bar	Double operator : 0.7 to 10 bar
Lubrication :	Not required, if used select a medium aniline point lubricant (between 80°C and 100°C)	
Filtration :	40 µ	
Temperature range :	-18°C to +50°C	
Orifice :	9 to 11 mm	
Flow (at 6 bar, ΔP=1 bar) :	G1/4" : 2000 Nl/min (C _v 2.0) - G3/8" : 2600 Nl/min (C _v 2.6) - G1/2" : 3000 Nl/min (C _v 3.0)	
Leak rate :	100 cm ³ /min	
Coil :	Epoxy encapsulated - class A wires - 100% ED (specify mod 0449)	
Voltage range :	-15% to +10% of nominal voltage	
Protection :	IP 65	
Power :	~ Inrush : 14.8 VA	Holding : 10.9 VA
	= 1 to 17.1 W	
Response times :	24 V=8.5 W	Energize : 10 ms De-energize : 11 ms
	50Hz/6 W	Energize : 4-13 ms De-energize : 10-17 ms

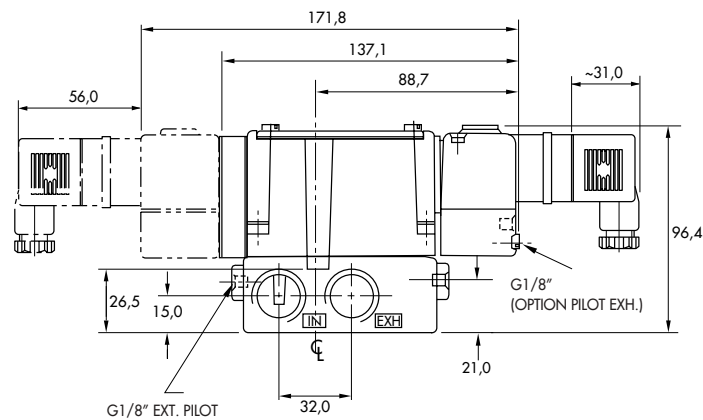
Spare parts :

- Solenoid operator (power ≥ 4 W) : D1-XXYZZ1, including mounting screws 35206 and seal 16234.
- Pilot valve : PME-XXYZZ, including seal 16337. • Pressure seal between valve and base : 16298.
- Mounting screw valve to base (x4) : 35303.

Options :

- NPTF threads.

DIMENSIONS



Function	Port size	Flow [Max]	Individual mounting
4/2 - 4/3	G1/4" - G3/8" - G1/2"	3000 NI/min	sub-base "plug-in"

OPERATIONAL BENEFITS

- Balanced spool, immune to variations of pressure.
- Short stroke with high flow.
- High shifting forces.
- Checked accumulator guarantees maximum pilot pressure.
- Powerful return force thanks to the combination of mechanical and air springs.
- Bonded spool with minimum friction, shifting in a glass-like finished bore.
- Wiping effect eliminates sticking.
- Pilot valve with balanced poppet, high flow, short and consistent response times.



HOW TO ORDER

Reset

xxxxx-xxx-PM-xyyDA

Port size	Pilot air	4/2 Single operator	4/2 Double operator	4/3 Closed centre	4/3 Open centre
Valve less base		<input type="radio"/> 6311D-000-PM-xyyDA	<input type="radio"/> 6321D-000-PM-xyyDA	<input type="radio"/> 6331D-000-PM-xyyDA	<input type="radio"/> 6341D-000-PM-xyyDA
sub-base	Internal	<input type="radio"/> 6311D-151-PM-xyyDA	<input type="radio"/> 6321D-151-PM-xyyDA	<input type="radio"/> 6331D-151-PM-xyyDA	<input type="radio"/> 6341D-151-PM-xyyDA
G1/4"	External	<input type="radio"/> 6311D-161-PM-xyyDA	<input type="radio"/> 6321D-161-PM-xyyDA	<input type="radio"/> 6331D-161-PM-xyyDA	<input type="radio"/> 6341D-161-PM-xyyDA
sub-base	Internal	<input type="radio"/> 6311D-251-PM-xyyDA	<input type="radio"/> 6321D-251-PM-xyyDA	<input type="radio"/> 6331D-251-PM-xyyDA	<input type="radio"/> 6341D-251-PM-xyyDA
G3/8"	External	<input type="radio"/> 6311D-261-PM-xyyDA	<input type="radio"/> 6321D-261-PM-xyyDA	<input type="radio"/> 6331D-261-PM-xyyDA	<input type="radio"/> 6341D-261-PM-xyyDA
sub-base	Internal	<input type="radio"/> 6311D-351-PM-xyyDA	<input type="radio"/> 6321D-351-PM-xyyDA	<input type="radio"/> 6331D-351-PM-xyyDA	<input type="radio"/> 6341D-351-PM-xyyDA
G1/2"	External	<input type="radio"/> 6311D-361-PM-xyyDA	<input type="radio"/> 6321D-361-PM-xyyDA	<input type="radio"/> 6331D-361-PM-xyyDA	<input type="radio"/> 6341D-361-PM-xyyDA

SOLENOID OPERATOR >

XX Y DA*

XX Voltage	Y Manual operator
<input type="radio"/> 11 110V~/50Hz	<input type="radio"/> 1 Non-locking
<input type="radio"/> 12 220V~/50Hz	<input type="radio"/> 2 Locking
<input type="radio"/> 22 24V~/50Hz	<input type="radio"/> y Other Options
<input type="radio"/> 59 24V=/2,5W	
<input type="radio"/> 87 24V=/17,1W	
<input type="radio"/> 61 24V=/8,5W	
<input type="radio"/> xx Other Options	

OPTIONS

6311D-000-PM-xyyDA

- click for bottom cylinder ports (excluding G 1/2") (replace by 4).
- click for lights on valve (replace by 3).
- click for dual pressure valves with lights on valve (replace by 6).

TECHNICAL
DATA

Fluid :	Compressed air, vacuum, inert gases
Pressure range :	Internal pilot : single operator and 3 positions : 1.8 to 10 bar double operator : 0.7 to 10 bar External pilot : vacuum to 10 bar
Pilot pressure :	Single operator and 3 positions : 1.8 to 10 bar Double operator : 0.7 to 10 bar
Lubrication :	Not required, if used select a medium aniline point lubricant (between 80°C and 100°C)
Filtration :	40 µ
Temperature range :	-18°C to +50°C
Orifice :	9 to 11 mm
Flow (at 6 bar, ΔP=1 bar) :	G1/4" : 2000 Nl/min (C _v 2.0) - G3/8" : 2600 Nl/min (C _v 2.6) - G1/2" : 3000 Nl/min (C _v 3.0)
Leak rate :	100 cm ³ /min
Coil :	Epoxy encapsulated - class A wires - 100% ED (specify mod 0449)
Voltage range :	-15% to +10% of nominal voltage
Protection :	IP 65
Power :	~ Inrush : 14.8 VA Holding : 10.9 VA = 1 to 17.1 W
Response times :	24 V=/8.5 W Energize : 10 ms De-energize : 11 ms 50Hz/6 W Energize : 4-13 ms De-energize : 10-17 ms

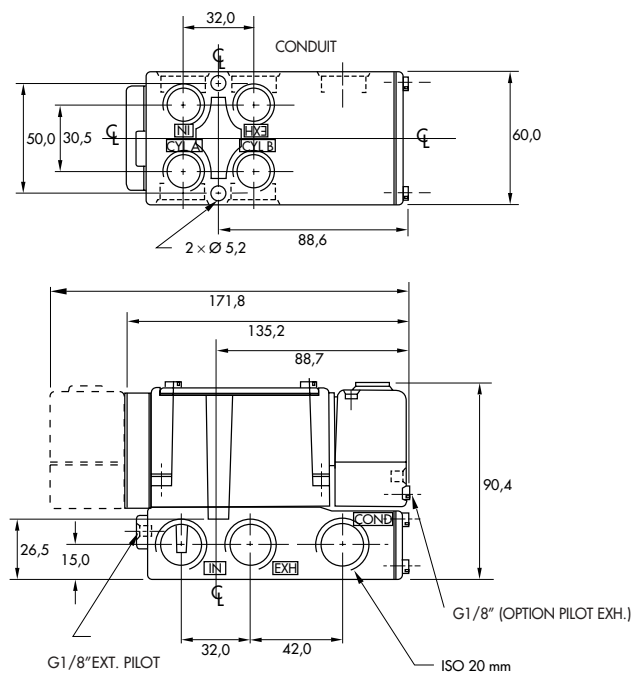
Spare parts :

- Solenoid operator (power ≥ 4 W) : D1-XXYDA1-BE, including mounting screws 35206 and seal 16234.
- Pilot valve : PME-XXYDA-BE, including seal 16337. • Pressure seal between valve and base : 16298.
- Mounting screw valve to base (x4) : 35303.

Options :

- NPTF threads. • Lights in base.

DIMENSIONS



Function	Port size	Flow [Max]	Manifold mounting
4/2 - 4/3	G3/8" - G1/2"	3000 NI/min	sub-base

OPERATIONAL BENEFITS

- Balanced spool, immune to variations of pressure.
- Short stroke with high flow.
- High shifting forces.
- Checked accumulator guarantees maximum pilot pressure.
- Powerful return force thanks to the combination of mechanical and air springs.
- Bonded spool with minimum friction, shifting in a glass-like finished bore.
- Wiping effect eliminates sticking.
- Pilot valve with balanced poppet, high flow, short and consistent response times.



HOW TO ORDER

Reset

xxxxx-xxx-PM-xyzz

Port size	Pilot air	4/2 Single operator	4/2 Double operator	4/3 Closed centre	4/3 Open centre	4/3 Pressure centre
Valve less base		<input type="radio"/> 6312D-000-PM-xyzz	<input type="radio"/> 6322D-000-PM-xyzz	<input type="radio"/> 6332D-000-PM-xyzz	<input type="radio"/> 6342D-000-PM-xyzz	<input type="radio"/> 6352D-000-PM-xyzz
sub-base	Internal	<input type="radio"/> 6312D-571-PM-xyzz	<input type="radio"/> 6322D-571-PM-xyzz	<input type="radio"/> 6332D-571-PM-xyzz	<input type="radio"/> 6342D-571-PM-xyzz	<input type="radio"/> 6352D-571-PM-xyzz
G3/8"	External	<input type="radio"/> 6312D-581-PM-xyzz	<input type="radio"/> 6322D-581-PM-xyzz	<input type="radio"/> 6332D-581-PM-xyzz	<input type="radio"/> 6342D-581-PM-xyzz	<input type="radio"/> 6352D-581-PM-xyzz
Sur embase	Internal	<input type="radio"/> 6312D-671-PM-xyzz	<input type="radio"/> 6322D-671-PM-xyzz	<input type="radio"/> 6332D-671-PM-xyzz	<input type="radio"/> 6342D-671-PM-xyzz	<input type="radio"/> 6352D-671-PM-xyzz
G1/2"	External	<input type="radio"/> 6312D-681-PM-xyzz	<input type="radio"/> 6322D-681-PM-xyzz	<input type="radio"/> 6332D-681-PM-xyzz	<input type="radio"/> 6342D-681-PM-xyzz	<input type="radio"/> 6352D-681-PM-xyzz

SOLENOID OPERATOR >

XX Y ZZ*

XX	Voltage	Y	Manual operator	ZZ	Electrical connection
<input type="radio"/> 11	110V~/50Hz	<input type="radio"/> 1	Non-locking	<input type="radio"/> JB	Rectangular connector
<input type="radio"/> 12	220V~/50Hz	<input type="radio"/> 2	Locking	<input type="radio"/> JD	Rectangular connector with light
<input type="radio"/> 22	24V~/50Hz	<input type="radio"/> y	Other Options	<input type="radio"/> JA	Square connector
<input type="radio"/> 59	24V=/2,5W			<input type="radio"/> JC	Square connector with light
<input type="radio"/> 87	24V=/17,1W			<input type="radio"/> BA	Flying leads (45 cm)
<input type="radio"/> 61	24V=/8,5W			<input type="radio"/> zz	Other Options
<input type="radio"/> xx	Other Options				

OPTIONS

6312D-000-PM-xyzz

- click for bottom cylinder ports (replace by 4).
- click for dual pressure valves (replace by 5).

TECHNICAL
DATA

Fluid :	Compressed air, vacuum, inert gases	
Pressure range :	Internal pilot : single operator and 3 positions : 1.8 to 10 bar	double operator : 0.7 to 10 bar
	External pilot : vacuum to 10 bar	
Pilot pressure :	Single operator and 3 positions : 1.8 to 10 bar Double operator : 0,7 to 10 bar	
Lubrication :	Not required, if used select a medium aniline point lubricant (between 80°C and 100°C)	
Filtration :	40 µ	
Temperature range :	-18°C to +50°C	
Orifice :	9 to 11 mm	
Flow (at 6 bar, ΔP=1bar) :	G3/8" : 2600 Nl/min (C _v 2.6) - G1/2" : 3000 Nl/min (C _v 3.0)	
Leak rate :	100 cm ³ /min	
Coil :	Epoxy encapsulated - class A wires - 100% ED (specify mod 0449)	
Voltage range :	-15% to +10% of nominal voltage	
Protection :	IP 65	
Power :	~ Inrush : 14.8 VA Holding : 10.9 VA = 1 to 17.1 W	
Response times :	24 V=8.5 W	Energize : 10 ms De-energize : 11 ms
	50Hz/6 W	Energize : 4-13 ms De-energize : 10-17 ms

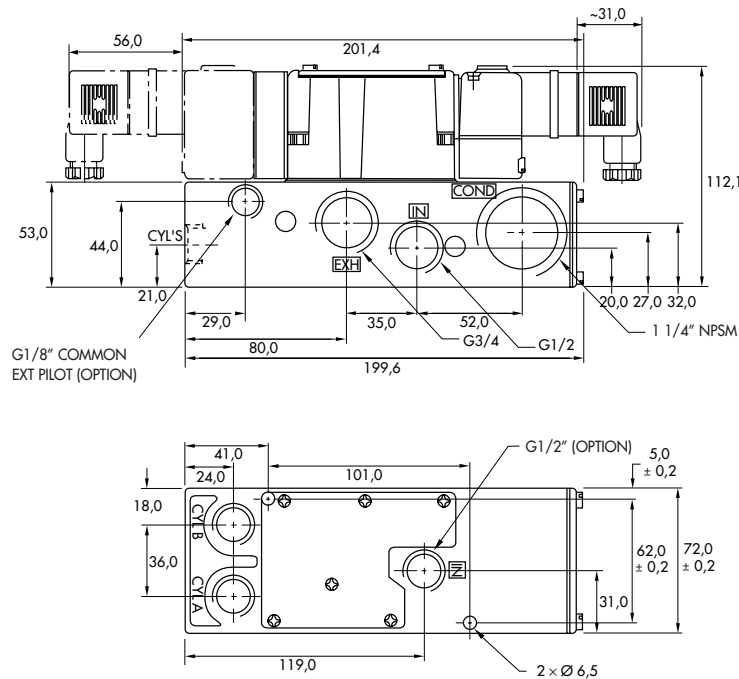
Spare parts :

- Solenoid operator (power ≥ 4 W) : D1-XXYZZ1, including mounting screws 35206 and seal 16234.
- Pilot valve : PME-XXYZZ, including seal 16337. • Pressure seal between valve and base : 16396.
- Mounting screw valve to base (x4) : 35303. • Tie-rod (x2) : 19624 .

Options :

- NPTF threads.

DIMENSIONS



Function	Port size	Flow [Max]	Manifold mounting
4/2 - 4/3	G3/8" - G1/2"	3000 NI/min	sub-base "plug-in"

OPERATIONAL BENEFITS

- Balanced spool, immune to variations of pressure.
- Short stroke with high flow.
- High shifting forces.
- Checked accumulator guarantees maximum pilot pressure.
- Powerful return force thanks to the combination of mechanical and air springs.
- Bonded spool with minimum friction, shifting in a glass-like finished bore.
- Wiping effect eliminates sticking.
- Pilot valve with balanced poppet, high flow, short and consistent response times.



HOW TO ORDER

Reset

xxxxx-xxx-PM-xyyDA

Port size	Pilot air	4/2 Single operator	4/2 Double operator	4/3 Closed centre	4/3 Open centre	4/3 Pressure centre
Valve less base		<input type="radio"/> 6311D-000-PM-xyyDA	<input type="radio"/> 6321D-000-PM-xyyDA	<input type="radio"/> 6331D-000-PM-xyyDA	<input type="radio"/> 6341D-000-PM-xyyDA	<input type="radio"/> 6351D-000-PM-xyyDA
sub-base	Internal	<input type="radio"/> 6311D-551-PM-xyyDA	<input type="radio"/> 6321D-551-PM-xyyDA	<input type="radio"/> 6331D-551-PM-xyyDA	<input type="radio"/> 6341D-551-PM-xyyDA	<input type="radio"/> 6351D-551-PM-xyyDA
	External	<input type="radio"/> 6311D-561-PM-xyyDA	<input type="radio"/> 6321D-561-PM-xyyDA	<input type="radio"/> 6331D-561-PM-xyyDA	<input type="radio"/> 6341D-561-PM-xyyDA	<input type="radio"/> 6351D-561-PM-xyyDA
Sur embase	Internal	<input type="radio"/> 6311D-651-PM-xyyDA	<input type="radio"/> 6321D-651-PM-xyyDA	<input type="radio"/> 6331D-651-PM-xyyDA	<input type="radio"/> 6341D-651-PM-xyyDA	<input type="radio"/> 6351D-651-PM-xyyDA
	External	<input type="radio"/> 6311D-661-PM-xyyDA	<input type="radio"/> 6321D-661-PM-xyyDA	<input type="radio"/> 6331D-661-PM-xyyDA	<input type="radio"/> 6341D-661-PM-xyyDA	<input type="radio"/> 6351D-661-PM-xyyDA

SOLENOID OPERATOR >

XX Y DA*

Voltage	Manual operator
<input type="radio"/> 11 110V~/50Hz	<input type="radio"/> 1 Non-locking
<input type="radio"/> 12 220V~/50Hz	<input type="radio"/> 2 Locking
<input type="radio"/> 22 24V~/50Hz	<input type="radio"/> y Other Options
<input type="radio"/> 87 24V=/17,1W	
<input type="radio"/> 59 24V=/2,5W	
<input type="radio"/> 61 24V=/8,5W	
<input type="radio"/> xx Other Options	

OPTIONS

6311D-000-PM-xyyDA

- click for bottom cylinder ports (replace by 4).
- click for lights on valve (replace by 3).
- click for dual pressure valves with lights on valve (replace by 6).

TECHNICAL DATA

Fluid :	Compressed air, vacuum, inert gases
Pressure range :	Internal pilot : single operator and 3 positions : 1.8 to 10 bar double operator : 0,7 to 10 bar External pilot : vacuum to 10 bar
Pilot pressure :	Single operator and 3positions : 1.8 to 10 bar Double operator : 0.7 to 10 bar
Lubrication :	Not required, if used select a medium aniline point lubricant (between 80°C and 100°C)
Filtration :	40 µ
Temperature range :	-18°C to +50°C
Orifice :	9 to 11 mm
Flow (at 6 bar, ΔP=1bar) :	G3/8" : 2600 Nl/min (C _v 2.6) - G1/2" : 3000 Nl/min (C _v 3.0)
Leak rate :	100 cm ³ /min
Coil :	Epoxy encapsulated - class A wires - 100% ED (specify mod 0449)
Voltage range :	-15% to +10% of nominal voltage
Protection :	IP 65
Power :	~ Inrush : 14.8 VA Holding : 10.9 VA = 1 to 17.1 W
Response times :	24 V=8.5 W Energize : 10 ms De-energize : 11 ms 50Hz/6 W Energize : 4-13 ms De-energize : 10-17 ms

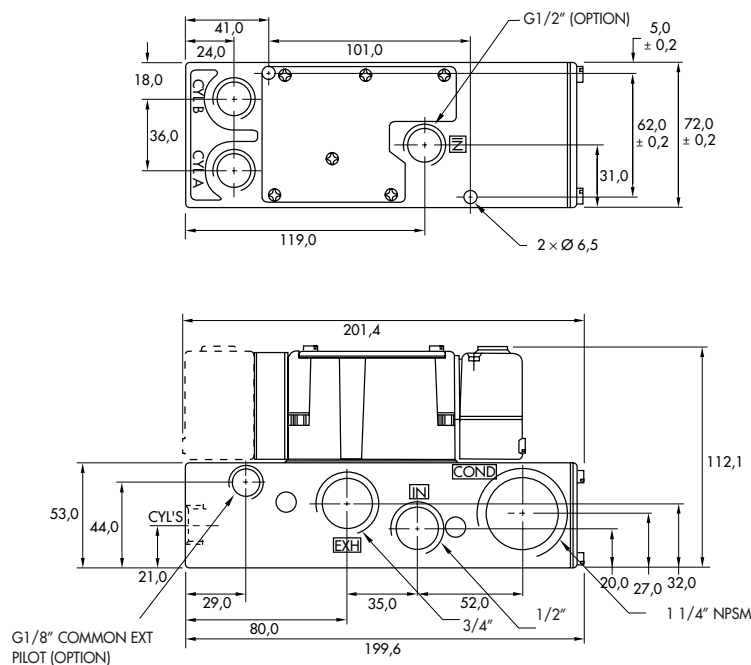
Spare parts :

- Solenoid operator (power ≥ 4 W) : D1-XXYDA1-BE, including mounting screws 35206 and seal 16234.
- Pilot valve : PME-XXYDA-BE, including seal 16337. • Pressure seal between valve and base : 16396.
- Mounting screw valve to base (x4) : 35303. • Tie-rod (x2) : 19624.

Options :

- NPTF threads. • Lights in base.

DIMENSIONS





Codification table for voltages / Manual operator / Electrical connection / Wire length

VALVE CODE >

-XX Y ZZ (-VV)
1 2 3 4

OPTIONS AVAILABLE FOR	OPTIONS AVAILABLE FOR
- valves type 100 Series - pilot valves "CNOMO"	- valves type 200 Series
- Pilot operated valves with pilots type 100 Series Series : 55 - 56 - 700 - 800 - 900 - 6200 - 6300 - 6500 - 6600 - 1300 - ISO 1 - ISO 2 - ISO 3.	- pilot operated valves with pilots type 200 Series Series : 200 - 57 - 58 - 59.
- Pilot operated valves with pilots "CNOMO" Series : ISO1 - ISO2 - ISO3	

1. VOLTAGE (type 100 Series)		1. VOLTAGE (type 200 Series)	
- XX Y ZZ	VOLTAGE	- XX Y ZZ	VOLTAGE
11	120 V~/60 Hz - 110 V~/50 Hz	11	120 V~/60 Hz - 110 V~/50 Hz - 24 V=
12	240 V~/60 Hz - 220 V~/50 Hz	12	240 V~/60 Hz - 220 V~/50 Hz
13	100 V~/60 Hz - 100 V~/50 Hz	13	100 V~/60 Hz - 100 V~/50 Hz
15	200 V~/60 Hz - 200 V~/50 Hz	14	200 V~/60 Hz - 200 V~/50 Hz
16	10 V~/60 Hz	20	6 V~/60 Hz
20	6 V~/60 Hz	21	12 V~/60 Hz
21	12 V~/50 Hz - 12 V~/60 Hz	22	24 V~/60 Hz - 24 V~/50 Hz
22	24 V~/60 Hz - 24 V~/50 Hz	23	32 V~/60 Hz - 32 V~/50 Hz
23	32 V~/60 Hz - 32 V~/50 Hz	24	48 V~/60 Hz - 42 V~/50 Hz
24	48 V~/60 Hz - 42 V~/50 Hz	25	240 V~/50 Hz
26	380 V~/50 Hz, 440 V~/50 Hz -440 V~/60 Hz, 480 V~/60 Hz-CLSF	26	480 V~/60 Hz - 440 V~/50 Hz
29	200 V~/60 Hz	27	127 V~/60 Hz
34	127 V~/50 Hz - 120 V~/50 Hz	28	415 V~/50 Hz
35	48 V~/50 Hz	29	200 V~/60 Hz
36	16 V~/60 Hz	30	380 V~/50 Hz
B1	24 V~/50 Hz	31	550 V~/60 Hz - 550 V~/50 Hz
50	24 V=/6 W	32	120 V~/60 Hz - 110 V~/50 Hz
51	24 V=/4 W	33	600 V~/60 Hz
54	12 V=/4 W	34	127 V~/50 Hz
55	12 V=/6 W	35	48 V~/50 Hz
57	12 V=/2,5 W	50	24 V=/6 W
59	24 V=/2,5 W	51	24 V=/4,5 W
60	12 V=/8,5 W	52	24 V=/2,5 W
61	24 V=/8,5 W	53	24 V=/1 W
64	6 V=/6 W	55	12 V=/6 W
65	32 V=/7 W	57	12 V=/2,5 W
66	48 V=/5,8 W	58	48 V=/2,5 W
67	64 V=/7,5 W	60	12 V=/9,5 W
68	120 V=/6,4 W	61	24 V=/8,5 W
69	220 V=/8,7 W - 250 V=/11,2 W CLSF	64	6 V=/8,5 W
75	90 V=/8,8 W CLSF	65	32 V=/10 W
76	100 V=/6,9 W CLSF	66	48 V=/11,5 W
84	125 V=/10,9 W CLSF	67	64 V=/10,5 W
87	24 V=/17,1 W CLSF	68	120 V=/12,3 W
88	12 V=/17,4 W CLSF	69	250 V=/9,2 W
89	36 V=/18,8 W CLSF	71	8 V=/8,2 W
90	28 V=/8,2 W	72	24 V=/12 W
91	6 V=/10,6 W CLSF	73	198 V=/10 W
92	190 V=/6,5 W	74	72 V=/11,3 W
94	3 V=/7 W	75	90 V=/11,3 W
95	38 V=/6,4 W	76	100 V=/9 W
A1	24 V=/1 W	77	220 V=/10 W - 230 V=/1,6 W
A2	12 V=/1 W	78	24 V=/24 W CLSF
A3	9 V=/1 W	80	55 V=/10,6 W CLSF
MOD. DD01 : Protection diode (DC)		82	179 V=/11,1 W
MOD. MOV1 : Protection varistor (AC)		83	15 V=/8,1 W
MOD. DD01 : max. 8,5 W		84	125 V=/10 W
MOD. MOV1 : max. 8,5 W		86	36 V=/11 W
		93	12 V=/24 W CLSF

2. MANUAL OPERATOR (Common options for 100 & 200 Series)

- XX Y ZZ	MANUAL OPERATOR
0	No operator
1	Non-locking recessed
2	Locking recessed
3	Non-locking extended
4	Locking extended

3. ELECTRICAL CONNECTION (type 100 Series)

- XX Y ZZ	ELECTRICAL CONNECTION
AA	Wiring box with 1/2" NPS conduit
BA	Flying leads
CA	1/2" NPS conduit
CC	1/2" NPS conduit
FA	Military type 2 PIN
GA	Military type 3 PIN
HA	AA with ground wire
JA*	Square connector
JB	Rectangular connector
JC*	Square connector with light
JD	Rectangular connector with light
JE	Square connector on top (ISO2, ISO3)
JF	Rectangular connector on top (ISO1, ISO2, ISO3)
JG	JE with light
JH	JF with light
JJ	Square connector, male only
JM	Rectangular connector, male only
MA	Electrical common conduit
MB	Electrical common conduit
NA	CA with ground wire
NC	CC with ground wire
RA	3/8" NPS conduit
AD	Wiring box 20 mm
AH	Wiring box PG 13,5 with ground wire
CD	20 mm conduit
CG	PG 11 conduit
HH	Wiring box PG 13,5 with ground wire
ND	20 mm conduit with ground wire
NG	PG11 conduit with ground wire
HD	20 mm wiring box with ground wire

3. ELECTRICAL CONNECTION (type 200 Series)

- XX Y ZZ	ELECTRICAL CONNECTION
AA	Wiring box with 1/2" NPS conduit
BA	Flying leads
CA	1/2" NPS conduit
CC	1/2" NPS conduit
EA	Explosion proof (200 Series)
EA	Explosion proof (57, 58 & 59 Series)
EE	Explosion proof (CENELEC)
EN	Explosion proof with ground wire
FA	Military type 2 PIN
GA	Military type 3 PIN
HA	AA with ground wire
JA*	Square connector
JC	Square connector with light
JJ	Square connector, male only
NA	CA with ground wire
NC	CC with ground wire
AD	Wiring box 20 mm
AK	PG 16 wiring box
CD	20 mm conduit
CK	PG 16 conduit
HD	20 mm wiring box with ground wire
HK	PG16 wiring box with ground wire
ND	20 mm conduit with ground wire
NK	PG16 wiring box with ground wire

* Not to be used with 100, 800 and 900 Series manifold mounting

4. WIRE LENGTH (Common options for 100 & 200 Series)

- XX Y ZZ (-VV)	WIRE LENGTH
AA	45 cm - 18"
AB	60 cm - 24"
AD	90 cm - 36"
AE	120 cm - 48"
AF	180 cm - 72"
AG	15 cm - 6"
AR	30 cm - 12"
AU	305 cm - 120"
BA	152 cm - 60"
BB	366 cm - 144"

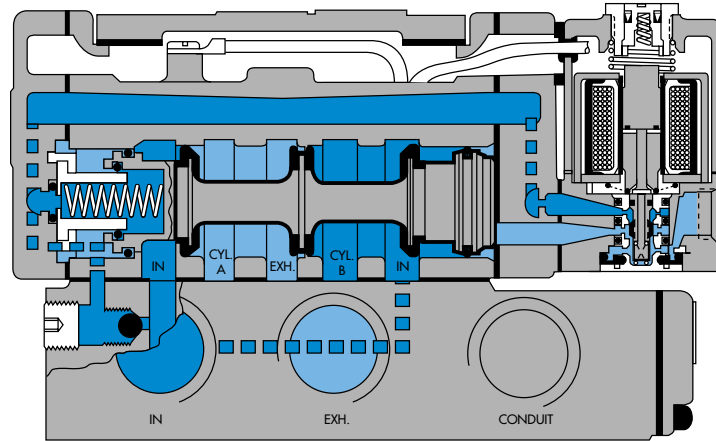
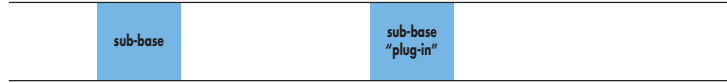
Series 6000 : wire length, delivered with the base

MOD L024	60 cm - 24"
MOD L036	91 cm - 36"
MOD L048	122 cm - 48"
MOD L060	152 cm - 60"
MOD L072	180 cm - 72"
MOD L120	305 cm - 120"

Individual mounting



Manifold mounting



Function	Port size	Flow [Max]	Individual mounting
4/2 - 4/3	G3/8" - G1/2" - G3/4"	5100 NI/min	sub-base

OPERATIONAL BENEFITS

- Balanced spool, immune to variations of pressure.
- Short stroke with high flow.
- High shifting forces.
- Checked accumulator guarantees maximum pilot pressure.
- Powerful return force thanks to the combination of mechanical and air springs.
- Bonded spool with minimum friction, shifting in a glass-like finished bore.
- Wiping effect eliminates sticking.
- Pilot valve with balanced poppet, high flow, short and consistent response times.



HOW TO ORDER

Reset

XXXXX-XXX-PM-xyzz

Port size	Pilot air	4/2 Single operator	4/2 Double operator	4/3 Closed centre	4/3 Open centre	4/3 Pressure centre
Valve less base		<input type="radio"/> 6512B-000-PM-xyzz	<input type="radio"/> 6522B-000-PM-xyzz	<input type="radio"/> 6532B-000-PM-xyzz	<input type="radio"/> 6542B-000-PM-xyzz	<input type="radio"/> 6552B-000-PM-xyzz
sub-base	Internal	<input type="radio"/> 6512B-171-PM-xyzz	<input type="radio"/> 6522B-171-PM-xyzz	<input type="radio"/> 6532B-171-PM-xyzz	<input type="radio"/> 6542B-171-PM-xyzz	<input type="radio"/> 6552B-171-PM-xyzz
G3/8"	External	<input type="radio"/> 6512B-181-PM-xyzz	<input type="radio"/> 6522B-181-PM-xyzz	<input type="radio"/> 6532B-181-PM-xyzz	<input type="radio"/> 6542B-181-PM-xyzz	<input type="radio"/> 6552B-181-PM-xyzz
sub-base	Internal	<input type="radio"/> 6512B-271-PM-xyzz	<input type="radio"/> 6522B-271-PM-xyzz	<input type="radio"/> 6532B-271-PM-xyzz	<input type="radio"/> 6542B-271-PM-xyzz	<input type="radio"/> 6552B-271-PM-xyzz
G1/2"	External	<input type="radio"/> 6512B-281-PM-xyzz	<input type="radio"/> 6522B-281-PM-xyzz	<input type="radio"/> 6532B-281-PM-xyzz	<input type="radio"/> 6542B-281-PM-xyzz	<input type="radio"/> 6552B-281-PM-xyzz
sub-base	Internal	<input type="radio"/> 6512B-371-PM-xyzz	<input type="radio"/> 6522B-371-PM-xyzz	<input type="radio"/> 6532B-371-PM-xyzz	<input type="radio"/> 6542B-371-PM-xyzz	<input type="radio"/> 6552B-371-PM-xyzz
G3/4"	External	<input type="radio"/> 6512B-381-PM-xyzz	<input type="radio"/> 6522B-381-PM-xyzz	<input type="radio"/> 6532B-381-PM-xyzz	<input type="radio"/> 6542B-381-PM-xyzz	<input type="radio"/> 6552B-381-PM-xyzz

SOLENOID OPERATOR >

XX Y ZZ

XX	Voltage	Y	Manual operator	ZZ	Electrical connection
<input type="radio"/> 11	110V~/50Hz	<input type="radio"/> 1	Non-locking	<input type="radio"/> JB	Rectangular connector
<input type="radio"/> 12	220V~/50Hz	<input type="radio"/> 2	Locking	<input type="radio"/> JD	Rectangular connector with light
<input type="radio"/> 22	24V~/50Hz	<input type="radio"/> y	Other Options	<input type="radio"/> JA	Square connector
<input type="radio"/> 59	24V=/2,5W			<input type="radio"/> JC	Square connector with light
<input type="radio"/> 87	24V=/17,1W			<input type="radio"/> BA	Flying leads (45 cm)
<input type="radio"/> 61	24V=/8,5W			<input type="radio"/> zz	Other Options
<input type="radio"/> xx	Other Options				

OPTIONS

6512B-000-PM-xyzz

click for dual pressure valve (replace by 4).

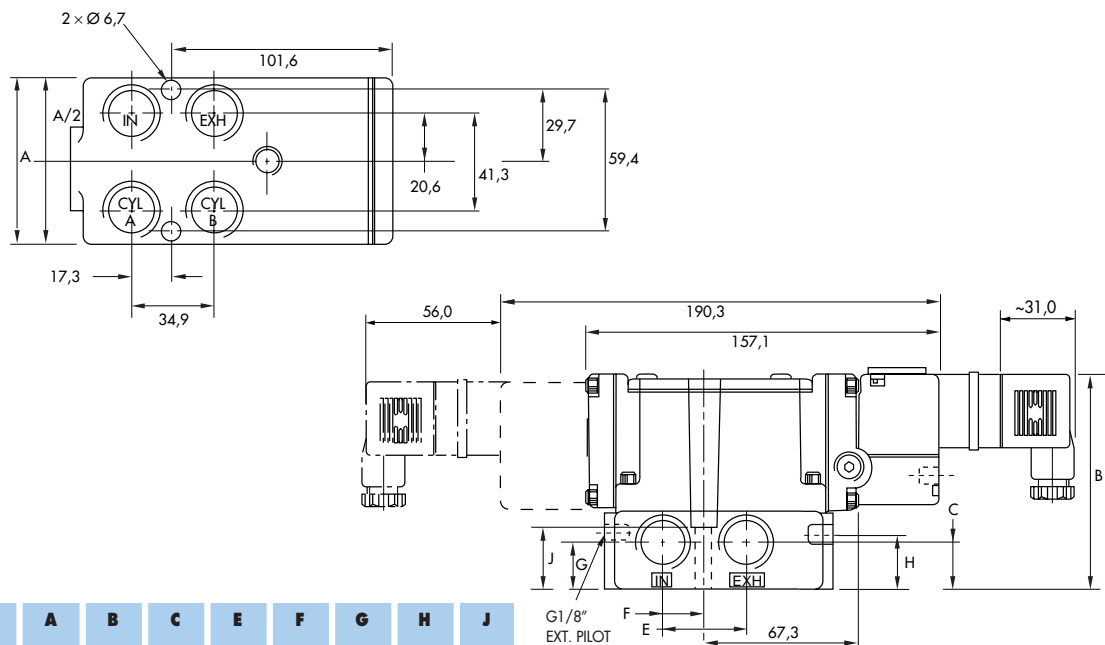
TECHNICAL
DATA

Fluid :	Compressed air, vacuum, inert gases	
Pressure range :	Internal pilot : single operator and 3 positions : 1.8 to 10 bar	double operator : 0.7 to bar
	External pilot : vacuum to 10 bar	
Pilot pressure :	Single operator and 3 positions : 1.8 to 10 bar Double operator : 0.7 to 10 bar	
Lubrication :	Not required, if used select a medium aniline point lubricant (between 80°C and 100°C)	
Filtration :	40 µ	
Temperature range :	-18°C to +50°C	
Orifice :	19 mm	
Flow (at 6 bar, ΔP=1bar) :	G3/8" : 4500 Nl/min (C _v 4.5) - G1/2" : 5000 Nl/min (C _v 5.0) - G3/4" : 5100 Nl/min (C _v 5.1)	
Leak rate :	100 cm ³ /min	
Coil :	Epoxy encapsulated - class A wires - 100% ED (specify mod 0449)	
Voltage range :	-15% to +10% of nominal voltage	
Protection :	IP 65	
Power :	~ Inrush : 14.8 VA Holding : 10.9 VA = 1 to 17.1 W	
Response times :	24 V = /8,5 W	Energize : 12 ms De-energize : 12 ms
	50 Hz / 6 W	Energize : 9-14 ms De-energize : 11-18 ms

Spare parts : Solenoid operator (power ≥ 4 W) : D1-XXYZZ1, including mounting screws 35206 and seal 16234.
 • Pilot valve : PME-XXYZZ, including seal 16337. • Pressure seal between valve and base : 16246.
 • Mounting screw valve to base (x4) : 32201.

Options : • NPTF threads.

DIMENSIONS



Port size	A	B	C	E	F	G	H	J
G3/8" - G1/2"	69,6	97,4	18,3	36,0	17,9	19,0	23,6	25,4
G3/4"	94,5	109,3	17,3	40,1	19,2	20,8	35,9	36,6

Function	Port size	Flow [Max]	Individual mounting
4/2 - 4/3	G3/8" - G1/2" - G3/4"	5100 NI/min	sub-base "plug-in"

OPERATIONAL BENEFITS

- Balanced spool, immune to variations of pressure.
- Short stroke with high flow.
- High shifting forces.
- Checked accumulator guarantees maximum pilot pressure.
- Powerful return force thanks to the combination of mechanical and air springs.
- Bonded spool with minimum friction, shifting in a glass-like finished bore.
- Wiping effect eliminates sticking.
- Pilot valve with balanced poppet, high flow, short and consistent response times.



HOW TO ORDER

Reset

xxxxx-xxx-PM-xyyDA

Port size	Pilot air	4/2 Single operator	4/2 Double operator	4/3 Closed centre	4/3 Open centre	4/3 Pressure centre
Valve less base		<input type="radio"/> 6511B-000-PM-xyyDA	<input type="radio"/> 6521B-000-PM-xyyDA	<input type="radio"/> 6531B-000-PM-xyyDA	<input type="radio"/> 6541B-000-PM-xyyDA	<input type="radio"/> 6551B-000-PM-xyyDA
sub-base	Internal	<input type="radio"/> 6511B-151-PM-xyyDA	<input type="radio"/> 6521B-151-PM-xyyDA	<input type="radio"/> 6531B-151-PM-xyyDA	<input type="radio"/> 6541B-151-PM-xyyDA	<input type="radio"/> 6551B-151-PM-xyyDA
G3/8"	External	<input type="radio"/> 6511B-161-PM-xyyDA	<input type="radio"/> 6521B-161-PM-xyyDA	<input type="radio"/> 6531B-161-PM-xyyDA	<input type="radio"/> 6541B-161-PM-xyyDA	<input type="radio"/> 6551B-161-PM-xyyDA
sub-base	Internal	<input type="radio"/> 6511B-251-PM-xyyDA	<input type="radio"/> 6521B-251-PM-xyyDA	<input type="radio"/> 6531B-251-PM-xyyDA	<input type="radio"/> 6541B-251-PM-xyyDA	<input type="radio"/> 6551B-251-PM-xyyDA
G1/2"	External	<input type="radio"/> 6511B-261-PM-xyyDA	<input type="radio"/> 6521B-261-PM-xyyDA	<input type="radio"/> 6531B-261-PM-xyyDA	<input type="radio"/> 6541B-261-PM-xyyDA	<input type="radio"/> 6551B-261-PM-xyyDA
sub-base	Internal	<input type="radio"/> 6511B-351-PM-xyyDA	<input type="radio"/> 6521B-351-PM-xyyDA	<input type="radio"/> 6531B-351-PM-xyyDA	<input type="radio"/> 6541B-351-PM-xyyDA	<input type="radio"/> 6551B-351-PM-xyyDA
G3/4"	External	<input type="radio"/> 6511B-361-PM-xyyDA	<input type="radio"/> 6521B-361-PM-xyyDA	<input type="radio"/> 6531B-361-PM-xyyDA	<input type="radio"/> 6541B-361-PM-xyyDA	<input type="radio"/> 6551B-361-PM-xyyDA

SOLENOID OPERATOR >

XX Y DA*

XX	Voltage	Y	Manual operator
<input type="radio"/> 11	110V~/50Hz	<input type="radio"/> 1	Non-locking
<input type="radio"/> 12	220V~/50Hz	<input type="radio"/> 2	Locking
<input type="radio"/> 22	24V~/50Hz	<input type="radio"/> y	Other Options
<input type="radio"/> 59	24V=/2,5W		
<input type="radio"/> 87	24V=/17,1W		
<input type="radio"/> 61	24V=/8,5W		
<input type="radio"/> xx	Other Options		

OPTIONS

6511B-000-PM-xyyDA

- click for dual pressure valve (replace by 4).
- click for lights on valve (replace by 3).

**TECHNICAL
DATA**

Fluid :	Compressed air, vacuum, inert gases	
Pressure range :	Internal pilot : single operator and 3 positions : 1.8 to 10 bar	double operator : 0.7 to 10 bar
	External pilot : vacuum to 10 bar	
Pilot pressure :	Single operator and 3 positions : 1.8 to 10 bar Double operator : 0.7 to 10 bar	
Lubrication :	Not required, if used select a medium aniline point lubricant (between 80°C and 100°C)	
Filtration :	40 µ	
Temperature range :	-18°C to +50°C	
Orifice :	19 mm	
Flow (at 6 bar, ΔP=1bar) :	G3/8" : 4500 Nl/min (C _v 4.5) - G1/2" : 5000 Nl/min (C _v 5.0) - G3/4" : 5100 Nl/min (C _v 5.1)	
Leak rate :	100 cm ³ /min	
Coil :	Epoxy encapsulated - class A wires - 100% ED (specify mod 0449)	
Voltage range :	-15% to +10% of nominal voltage	
Protection :	IP 65	
Power :	~ Inrush : 14.8 VA Holding : 10.9 VA = 1 to 17.1 W	
Response times :	24 V=8.5 W Energize : 12 ms De-energize : 12ms	
	50Hz/6 W Energize : 9-14 ms De-energize : 11-18 ms	

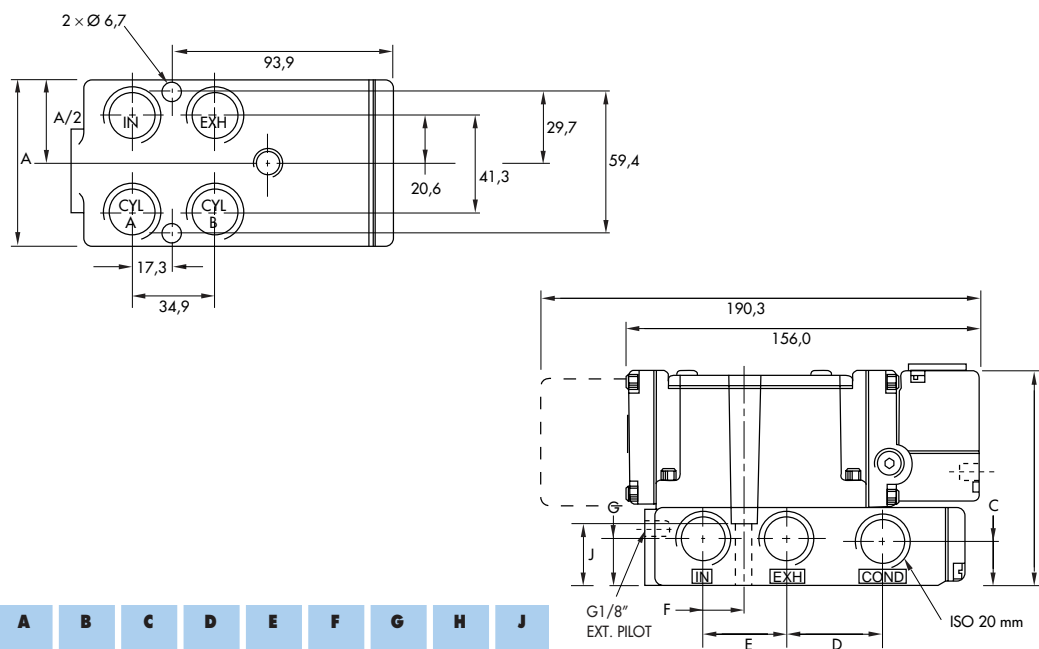
Spare parts :

- Solenoid operator (power ≥ 4 W) : D1-XXYDA1-BE, including mounting screws 35206 and seal 16234.
- Pilot valve : PME-XXYDA-BE, including seal 16337. • Pressure seal between valve and base : 16246.
- Mounting screw valve to base (x4) : 32201.

Options :

- NPTF threads. • Lights in base.

DIMENSIONS



Port size	A	B	C	D	E	F	G	H	J
G3/8" - G1/2"	69,6	97,4	18,3	40,6	36,0	17,9	19,0	23,6	25,4
G3/4"	94,5	109,3	17,3	46,7	40,1	19,2	20,8	35,9	36,6

Function	Port size	Flow [Max]	Manifold mounting
4/2 - 4/3	G3/8" - G1/2" - G3/4"	5100 NI/min	sub-base

OPERATIONAL BENEFITS

- Balanced spool, immune to variations of pressure.
- Short stroke with high flow.
- High shifting forces.
- Checked accumulator guarantees maximum pilot pressure.
- Powerful return force thanks to the combination of mechanical and air springs.
- Bonded spool with minimum friction, shifting in a glass-like finished bore.
- Wiping effect eliminates sticking.
- Pilot valve with balanced poppet, high flow, short and consistent response times.



HOW TO ORDER

Reset

XXXXX-XXX-PM-xyzz

Port size	Pilot air	4/2 Single operator	4/2 Double operator	4/3 Closed centre	4/3 Open centre	4/3 Pressure centre
Valve less base		<input type="radio"/> 6512B-000-PM-xyzz	<input type="radio"/> 6522B-000-PM-xyzz	<input type="radio"/> 6532B-000-PM-xyzz	<input type="radio"/> 6542B-000-PM-xyzz	<input type="radio"/> 6552B-000-PM-xyzz
sub-base	Internal	<input type="radio"/> 6512B-471-PM-xyzz	<input type="radio"/> 6522B-471-PM-xyzz	<input type="radio"/> 6532B-471-PM-xyzz	<input type="radio"/> 6542B-471-PM-xyzz	<input type="radio"/> 6552B-471-PM-xyzz
G3/8"	External	<input type="radio"/> 6512B-481-PM-xyzz	<input type="radio"/> 6522B-481-PM-xyzz	<input type="radio"/> 6532B-481-PM-xyzz	<input type="radio"/> 6542B-481-PM-xyzz	<input type="radio"/> 6552B-481-PM-xyzz
sub-base	Internal	<input type="radio"/> 6512B-571-PM-xyzz	<input type="radio"/> 6522B-571-PM-xyzz	<input type="radio"/> 6532B-571-PM-xyzz	<input type="radio"/> 6542B-571-PM-xyzz	<input type="radio"/> 6552B-571-PM-xyzz
G1/2"	External	<input type="radio"/> 6512B-581-PM-xyzz	<input type="radio"/> 6522B-581-PM-xyzz	<input type="radio"/> 6532B-581-PM-xyzz	<input type="radio"/> 6542B-581-PM-xyzz	<input type="radio"/> 6552B-581-PM-xyzz
sub-base	Internal	<input type="radio"/> 6512B-671-PM-xyzz	<input type="radio"/> 6522B-671-PM-xyzz	<input type="radio"/> 6532B-671-PM-xyzz	<input type="radio"/> 6542B-671-PM-xyzz	<input type="radio"/> 6552B-671-PM-xyzz
G3/4"	External	<input type="radio"/> 6512B-681-PM-xyzz	<input type="radio"/> 6522B-681-PM-xyzz	<input type="radio"/> 6532B-681-PM-xyzz	<input type="radio"/> 6542B-681-PM-xyzz	<input type="radio"/> 6552B-681-PM-xyzz

SOLENOID OPERATOR >

XX Y ZZ

XX	Voltage	Y	Manual operator	ZZ	Electrical connection
<input type="radio"/> 11	110V~/50Hz	<input type="radio"/> 1	Non-locking	<input type="radio"/> JB	Rectangular connector
<input type="radio"/> 12	220V~/50Hz	<input type="radio"/> 2	Locking	<input type="radio"/> JD	Rectangular connector with light
<input type="radio"/> 22	24V~/50Hz	<input type="radio"/> y	Other Options	<input type="radio"/> JA	Square connector
<input type="radio"/> 59	24V=/2,5W			<input type="radio"/> JC	Square connector with light
<input type="radio"/> 87	24V=/17,1W			<input type="radio"/> BA	Flying leads (45 cm)
<input type="radio"/> 61	24V=/8,5W			<input type="radio"/> zz	Other Options
<input type="radio"/> xx	Other Options				

OPTIONS

6512B-000-PM-xyzz

click for dual pressure valve (replace by 4).

TECHNICAL
DATA

Fluid :	Compressed air, vacuum, inert gases
Pressure range :	Internal pilot : single operator and 3 positions : 1.8 to 10 bar double operator : 0.7 to 10 bar External pilot : vacuum to 10 bar
Pilot pressure :	Single operator and 3 positions : 1.8 to 10 bar Double operator : 0.7 to 10 bar
Lubrication :	Not required, if used select a medium aniline point lubricant (between 80°C and 100°C)
Filtration :	40 µ
Temperature range :	-18°C to +50°C
Orifice :	19 mm
Flow (at 6 bar, ΔP=1 bar) :	G3/8" : 4500 Nl/min (C _v 4.5) - G1/2" : 5000 Nl/min (C _v 5.0) - G3/4" : 5100 Nl/min (C _v 5.1)
Leak rate :	100 cm ³ /min
Coil :	Epoxy encapsulated - class A wires - 100% ED (specify mod 0449)
Voltage range :	-15% to +10% of nominal voltage
Protection :	IP 65
Power :	~ Inrush : 14.8 VA Holding : 10.9 VA = 1 to 17.1 W
Response times :	24 V=8.5 W Energize : 12 ms De-energize : 12 ms 50Hz/6 W Energize : 9-14 ms De-energize : 11-18 ms

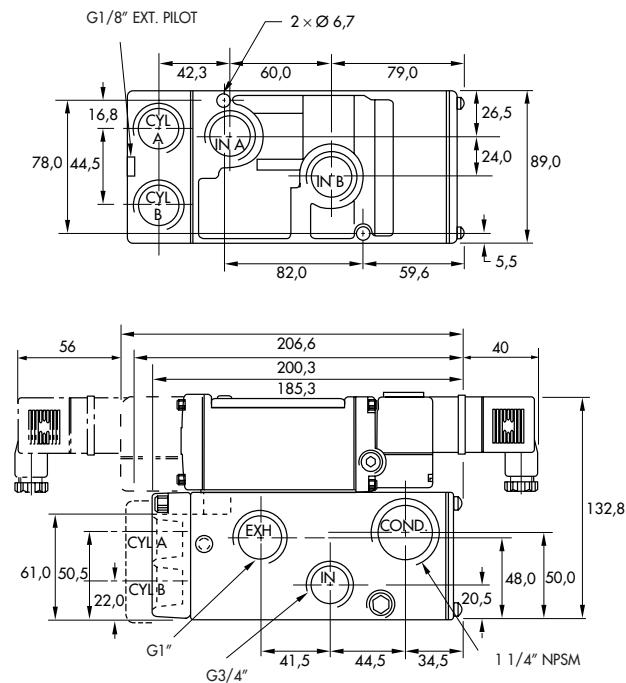
Spare parts :

- Solenoid operator (power ≥ 4 W) : D1-XXYZZ1, including mounting screws 35206 and seal 16234.
- Pilot valve : PME-XXYZZ, including seal 16337. • Pressure seal between valve and base : 16246.
- Mounting screw valve to base (x4) : 32201. • Tie-rod (x2) : 19540.

Options :

- NPTF threads.

DIMENSIONS



Function	Port size	Flow [Max]	Manifold mounting
4/2 - 4/3	G3/8" - G1/2" - G3/4"	5100 NI/min	sub-base "plug-in"

OPERATIONAL BENEFITS

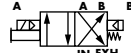
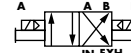

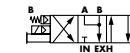
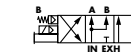
- Balanced spool, immune to variations of pressure.
- Short stroke with high flow.
- High shifting forces.
- Checked accumulator guarantees maximum pilot pressure.
- Powerful return force thanks to the combination of mechanical and air springs.
- Bonded spool with minimum friction, shifting in a glass-like finished bore.
- Wiping effect eliminates sticking.
- Pilot valve with balanced poppet, high flow, short and consistent response times.



HOW TO ORDER

Reset

xxxxx-xxx-PM-xyyDA

Port size	Pilot air	4/2 Single operator	4/2 Double operator	4/3 Closed centre	4/3 Open centre	4/3 Pressure centre
						
Valve less base		<input type="radio"/> 6511B-000-PM-xyyDA	<input type="radio"/> 6521B-000-PM-xyyDA	<input type="radio"/> 6531B-000-PM-xyyDA	<input type="radio"/> 6541B-000-PM-xyyDA	<input type="radio"/> 6551B-000-PM-xyyDA
sub-base	Internal	<input type="radio"/> 6511B-451-PM-xyyDA	<input type="radio"/> 6521B-451-PM-xyyDA	<input type="radio"/> 6531B-451-PM-xyyDA	<input type="radio"/> 6541B-451-PM-xyyDA	<input type="radio"/> 6551B-451-PM-xyyDA
G3/8"	External	<input type="radio"/> 6511B-461-PM-xyyDA	<input type="radio"/> 6521B-461-PM-xyyDA	<input type="radio"/> 6531B-461-PM-xyyDA	<input type="radio"/> 6541B-461-PM-xyyDA	<input type="radio"/> 6551B-461-PM-xyyDA
sub-base	Internal	<input type="radio"/> 6511B-551-PM-xyyDA	<input type="radio"/> 6521B-551-PM-xyyDA	<input type="radio"/> 6531B-551-PM-xyyDA	<input type="radio"/> 6541B-551-PM-xyyDA	<input type="radio"/> 6551B-551-PM-xyyDA
G1/2"	External	<input type="radio"/> 6511B-561-PM-xyyDA	<input type="radio"/> 6521B-561-PM-xyyDA	<input type="radio"/> 6531B-561-PM-xyyDA	<input type="radio"/> 6541B-561-PM-xyyDA	<input type="radio"/> 6551B-561-PM-xyyDA
sub-base	Internal	<input type="radio"/> 6511B-651-PM-xyyDA	<input type="radio"/> 6521B-651-PM-xyyDA	<input type="radio"/> 6531B-651-PM-xyyDA	<input type="radio"/> 6541B-651-PM-xyyDA	<input type="radio"/> 6551B-651-PM-xyyDA
G3/4"	External	<input type="radio"/> 6511B-661-PM-xyyDA	<input type="radio"/> 6521B-661-PM-xyyDA	<input type="radio"/> 6531B-661-PM-xyyDA	<input type="radio"/> 6541B-661-PM-xyyDA	<input type="radio"/> 6551B-661-PM-xyyDA

SOLENOID OPERATOR >

XX Y DA*

XX Voltage	Y Manual operator
<input type="radio"/> 11 110V~/50Hz	<input type="radio"/> 1 Non-locking
<input type="radio"/> 12 220V~/50Hz	<input type="radio"/> 2 Locking
<input type="radio"/> 22 24V~/50Hz	<input type="radio"/> y Other Options
<input type="radio"/> 59 24V=/2,5W	
<input type="radio"/> 87 24V=/17,1W	
<input type="radio"/> 61 24V=/8,5W	
<input type="radio"/> xx Other Options	

OPTIONS

6511B-000-PM-xyyDA

- click for dual pressure valve (replace by 4).
- click for lights on valve (replace by 3).

TECHNICAL
DATA

Fluid :	Compressed air, vacuum, inert gases
Pressure range :	Internal pilot : single operator and 3 positions : 1.8 to 10 bar double operator : 0.7 to 10 bar External pilot : vacuum to 10 bar
Pilot pressure :	Single operator and 3 positons : 1.8 to 10 bar Double operator : 0.7 to 10 bar
Lubrication :	Not required, if used select a medium aniline point lubricant (between 80°C and 100°C)
Filtration :	40 µ
Temperature range :	-18°C to +50°C
Orifice :	19 mm
Flow (at 6 bar, ΔP=1 bar) :	G3/8" : 4500 Nl/min (C _v 4.5) - G1/2" : 5000 Nl/min (C _v 5.0) - G3/4" : 5100 Nl/min (C _v 5.1)
Leak rate :	100 cm ³ /min
Coil :	Epoxy encapsulated - class A wires - 100% ED (specify mod 0449)
Voltage range :	-15% to +10% of nominal voltage
Protection :	IP 65
Power :	~ Inrush : 14.8 VA Holding : 10.9 VA = 1 to 17.1 W
Response times :	24 V=8.5 W Energize : 12 ms De-energize : 12 ms 50Hz/6 W Energize : 9-14 ms De-energize : 11-18 ms

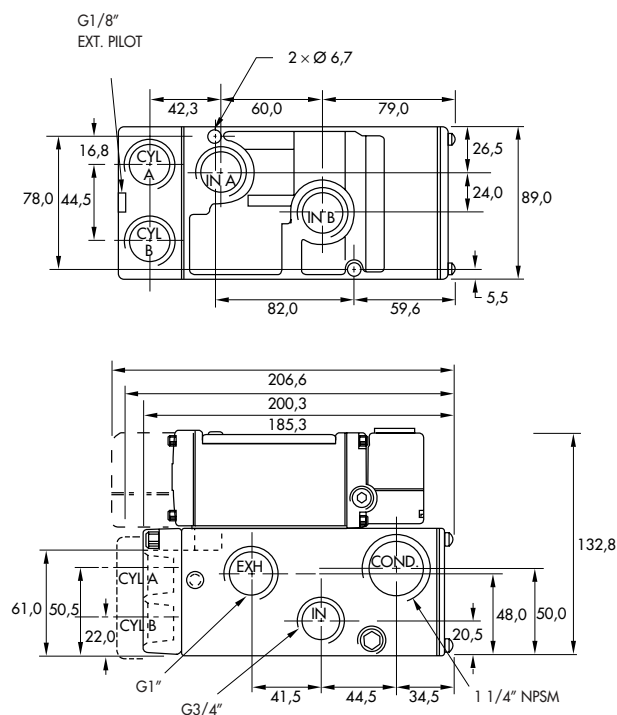
Spare parts :

- Solenoid operator (power ≥ 4 W) : D1-XXYDA1-BE, including mounting screws 35206 and seal 16234.
- Pilot valve : PME-XXYDA-BE, including seal 16337. • Pressure seal between valve and base : 16246.
- Mounting screw valve to base (x4) : 32201. • Tie-rod (x2) : 19540 .

Options :

- NPTF threads. • Lights in base.

DIMENSIONS





Codification table for voltages / Manual operator / Electrical connection / Wire length

VALVE CODE >

-XX Y ZZ (-VV)
1 2 3 4

OPTIONS AVAILABLE FOR	OPTIONS AVAILABLE FOR
- valves type 100 Series - pilot valves "CNOMO"	- valves type 200 Series
- Pilot operated valves with pilots type 100 Series Series : 55 - 56 - 700 - 800 - 900 - 6200 - 6300 - 6500 - 6600 - 1300 - ISO 1 - ISO 2 - ISO 3.	- pilot operated valves with pilots type 200 Series Series : 200 - 57 - 58 - 59.
- Pilot operated valves with pilots "CNOMO" Series : ISO1 - ISO2 - ISO3	

1. VOLTAGE (type 100 Series)		1. VOLTAGE (type 200 Series)	
- XX Y ZZ	VOLTAGE	- XX Y ZZ	VOLTAGE
11	120 V~/60 Hz - 110 V~/50 Hz	11	120 V~/60 Hz - 110 V~/50 Hz - 24 V=
12	240 V~/60 Hz - 220 V~/50 Hz	12	240 V~/60 Hz - 220 V~/50 Hz
13	100 V~/60 Hz - 100 V~/50 Hz	13	100 V~/60 Hz - 100 V~/50 Hz
15	200 V~/60 Hz - 200 V~/50 Hz	14	200 V~/60 Hz - 200 V~/50 Hz
16	10 V~/60 Hz	20	6 V~/60 Hz
20	6 V~/60 Hz	21	12 V~/60 Hz
21	12 V~/50 Hz - 12 V~/60 Hz	22	24 V~/60 Hz - 24 V~/50 Hz
22	24 V~/60 Hz - 24 V~/50 Hz	23	32 V~/60 Hz - 32 V~/50 Hz
23	32 V~/60 Hz - 32 V~/50 Hz	24	48 V~/60 Hz - 42 V~/50 Hz
24	48 V~/60 Hz - 42 V~/50 Hz	25	240 V~/50 Hz
26	380 V~/50 Hz, 440 V~/50 Hz -440 V~/60 Hz, 480 V~/60 Hz-CLSF	26	480 V~/60 Hz - 440 V~/50 Hz
29	200 V~/60 Hz	27	127 V~/60 Hz
34	127 V~/50 Hz - 120 V~/50 Hz	28	415 V~/50 Hz
35	48 V~/50 Hz	29	200 V~/60 Hz
36	16 V~/60 Hz	30	380 V~/50 Hz
B1	24 V~/50 Hz	31	550 V~/60 Hz - 550 V~/50 Hz
50	24 V=/6 W	32	120 V~/60 Hz - 110 V~/50 Hz
51	24 V=/4 W	33	600 V~/60 Hz
54	12 V=/4 W	34	127 V~/50 Hz
55	12 V=/6 W	35	48 V~/50 Hz
57	12 V=/2,5 W	50	24 V=/6 W
59	24 V=/2,5 W	51	24 V=/4,5 W
60	12 V=/8,5 W	52	24 V=/2,5 W
61	24 V=/8,5 W	53	24 V=/1 W
64	6 V=/6 W	55	12 V=/6 W
65	32 V=/7 W	57	12 V=/2,5 W
66	48 V=/5,8 W	58	48 V=/2,5 W
67	64 V=/7,5 W	60	12 V=/9,5 W
68	120 V=/6,4 W	61	24 V=/8,5 W
69	220 V=/8,7 W - 250 V=/11,2 W CLSF	64	6 V=/8,5 W
75	90 V=/8,8 W CLSF	65	32 V=/10 W
76	100 V=/6,9 W CLSF	66	48 V=/11,5 W
84	125 V=/10,9 W CLSF	67	64 V=/10,5 W
87	24 V=/17,1 W CLSF	68	120 V=/12,3 W
88	12 V=/17,4 W CLSF	69	250 V=/9,2 W
89	36 V=/18,8 W CLSF	71	8 V=/8,2 W
90	28 V=/8,2 W	72	24 V=/12 W
91	6 V=/10,6 W CLSF	73	198 V=/10 W
92	190 V=/6,5 W	74	72 V=/11,3 W
94	3 V=/7 W	75	90 V=/11,3 W
95	38 V=/6,4 W	76	100 V=/9 W
A1	24 V=/1 W	77	220 V=/10 W - 230 V=/1,6 W
A2	12 V=/1 W	78	24 V=/24 W CLSF
A3	9 V=/1 W	80	55 V=/10,6 W CLSF
MOD. DD01 : Protection diode (DC)		82	179 V=/11,1 W
MOD. MOV1 : Protection varistor (AC)		83	15 V=/8,1 W
MOD. DD01 : max. 8,5 W		84	125 V=/10 W
MOD. MOV1 : max. 8,5 W		86	36 V=/11 W
		93	12 V=/24 W CLSF

2. MANUAL OPERATOR (Common options for 100 & 200 Series)

- XX Y ZZ	MANUAL OPERATOR
0	No operator
1	Non-locking recessed
2	Locking recessed
3	Non-locking extended
4	Locking extended

3. ELECTRICAL CONNECTION (type 100 Series)

- XX Y ZZ	ELECTRICAL CONNECTION
AA	Wiring box with 1/2" NPS conduit
BA	Flying leads
CA	1/2" NPS conduit
CC	1/2" NPS conduit
FA	Military type 2 PIN
GA	Military type 3 PIN
HA	AA with ground wire
JA*	Square connector
JB	Rectangular connector
JC*	Square connector with light
JD	Rectangular connector with light
JE	Square connector on top (ISO2, ISO3)
JF	Rectangular connector on top (ISO1, ISO2, ISO3)
JG	JE with light
JH	JF with light
JJ	Square connector, male only
JM	Rectangular connector, male only
MA	Electrical common conduit
MB	Electrical common conduit
NA	CA with ground wire
NC	CC with ground wire
RA	3/8" NPS conduit
AD	Wiring box 20 mm
AH	Wiring box PG 13,5 with ground wire
CD	20 mm conduit
CG	PG 11 conduit
HH	Wiring box PG 13,5 with ground wire
ND	20 mm conduit with ground wire
NG	PG11 conduit with ground wire
HD	20 mm wiring box with ground wire

3. ELECTRICAL CONNECTION (type 200 Series)

- XX Y ZZ	ELECTRICAL CONNECTION
AA	Wiring box with 1/2" NPS conduit
BA	Flying leads
CA	1/2" NPS conduit
CC	1/2" NPS conduit
EA	Explosion proof (200 Series)
EA	Explosion proof (57, 58 & 59 Series)
EE	Explosion proof (CENELEC)
EN	Explosion proof with ground wire
FA	Military type 2 PIN
GA	Military type 3 PIN
HA	AA with ground wire
JA*	Square connector
JC	Square connector with light
JJ	Square connector, male only
NA	CA with ground wire
NC	CC with ground wire
AD	Wiring box 20 mm
AK	PG 16 wiring box
CD	20 mm conduit
CK	PG 16 conduit
HD	20 mm wiring box with ground wire
HK	PG16 wiring box with ground wire
ND	20 mm conduit with ground wire
NK	PG16 wiring box with ground wire

* Not to be used with 100, 800 and 900 Series manifold mounting

4. WIRE LENGTH (Common options for 100 & 200 Series)

- XX Y ZZ (-VV)	WIRE LENGTH
AA	45 cm - 18"
AB	60 cm - 24"
AD	90 cm - 36"
AE	120 cm - 48"
AF	180 cm - 72"
AG	15 cm - 6"
AR	30 cm - 12"
AU	305 cm - 120"
BA	152 cm - 60"
BB	366 cm - 144"

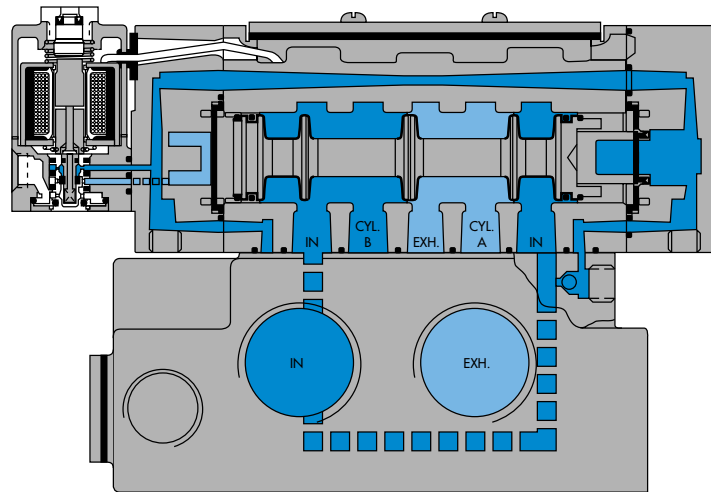
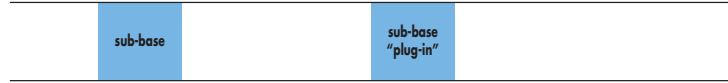
Series 6000 : wire length, delivered with the base

MOD L024	60 cm - 24"
MOD L036	91 cm - 36"
MOD L048	122 cm - 48"
MOD L060	152 cm - 60"
MOD L072	180 cm - 72"
MOD L120	305 cm - 120"

Individual mounting



Manifold mounting



Function	Port size	Flow [Max]	Individual mounting
4/2 - 4/3	G3/4" - G1"	9600 NI/min	sub-base

OPERATIONAL BENEFITS

- Balanced spool, immune to variations of pressure.
- Short stroke with high flow.
- High shifting forces.
- Checked accumulator guarantees maximum pilot pressure.
- Powerful return force thanks to the combination of mechanical and air springs.
- Bonded spool with minimum friction, shifting in a glass-like finished bore.
- Wiping effect eliminates sticking.
- Pilot valve with balanced poppet, high flow, short and consistent response times.



HOW TO ORDER

Reset

XXXXX-XXX-PM-xyzz

Port size	Pilot air	4/2 Single operator	4/2 Double operator	4/3 Closed centre	4/3 Open centre	4/3 Pressure centre
Valve less base		<input type="radio"/> 6612A-000-PM-xyzz	<input type="radio"/> 6622A-000-PM-xyzz	<input type="radio"/> 6632A-000-PM-xyzz	<input type="radio"/> 6642A-000-PM-xyzz	<input type="radio"/> 6652A-000-PM-xyzz
sub-base	Internal	<input type="radio"/> 6612A-271-PM-xyzz	<input type="radio"/> 6622A-271-PM-xyzz	<input type="radio"/> 6632A-271-PM-xyzz	<input type="radio"/> 6642A-271-PM-xyzz	<input type="radio"/> 6652A-271-PM-xyzz
G3/4"	External	<input type="radio"/> 6612A-281-PM-xyzz	<input type="radio"/> 6622A-281-PM-xyzz	<input type="radio"/> 6632A-281-PM-xyzz	<input type="radio"/> 6642A-281-PM-xyzz	<input type="radio"/> 6652A-281-PM-xyzz
sub-base	Internal	<input type="radio"/> 6612A-371-PM-xyzz	<input type="radio"/> 6622A-371-PM-xyzz	<input type="radio"/> 6632A-371-PM-xyzz	<input type="radio"/> 6642A-371-PM-xyzz	<input type="radio"/> 6652A-371-PM-xyzz
G1"	External	<input type="radio"/> 6612A-381-PM-xyzz	<input type="radio"/> 6622A-381-PM-xyzz	<input type="radio"/> 6632A-381-PM-xyzz	<input type="radio"/> 6642A-381-PM-xyzz	<input type="radio"/> 6652A-381-PM-xyzz

SOLENOID OPERATOR >

XX Y ZZ*

XX	Voltage	Y	Manual operator	ZZ	Electrical connection
<input type="radio"/> 11	110V~/50Hz	<input type="radio"/> 1	Non-locking	<input type="radio"/> JB	Rectangular connector
<input type="radio"/> 12	220V~/50Hz	<input type="radio"/> 2	Locking	<input type="radio"/> JD	Rectangular connector with light
<input type="radio"/> 22	24V~/50Hz	<input type="radio"/> y	Other Options	<input type="radio"/> JA	Square connector
<input type="radio"/> 59	24V=/2,5W			<input type="radio"/> JC	Square connector with light
<input type="radio"/> 87	24V=/17,1W			<input type="radio"/> BA	Flying leads (45 cm)
<input type="radio"/> 61	24V=/8,5W			<input type="radio"/> zz	Other Options
<input type="radio"/> xx	Other Options				

TECHNICAL
DATA

Fluid :	Compressed air, vacuum, inert gases	
Pressure range :	Internal pilot : single operator and 3 positions : 1.8 to 10 bar	double operator : 0.7 to 10 bar
	External pilot : vacuum to 10 bar	
Pilot pressure :	Single operator and 3 positions : 1.8 to 10 bar	Double operator : 0.7 to 10 bar
Lubrication :	Not required, if used select a medium aniline point lubricant (between 80°C and 100°C)	
Filtration :	40 µ	
Temperature range :	-18°C to +50°C	
Orifice :	24 mm	
Flow (at 6 bar, ΔP=1 bar) :	G3/4" : 9000 NI/min (C _v 9.0) - G1" : 9600 NI/min (C _v 9.6)	
Leak rate :	100 cm ³ /min	
Coil :	Epoxy encapsulated - class A wires - 100% ED (specify mod 0449)	
Voltage range :	-15% to +10% of nominal voltage	
Protection :	IP 65	
Power :	~ Inrush : 14.8 VA	Holding : 10.9 VA
	= 1 to 17.1 W	
Response times :	24 V=8.5 W	Energize : 18 ms De-energize : 20 ms
	50Hz/6 W	Energize : 15-25 ms De-energize : 19-28 ms

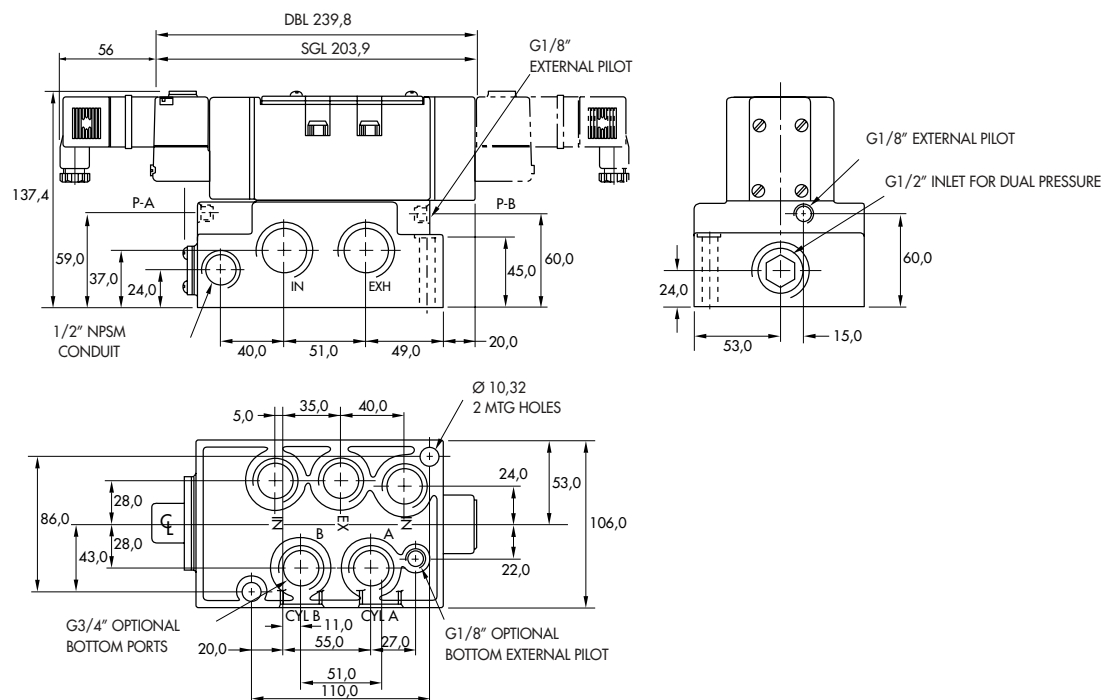
Spare parts :

- Solenoid operator (power ≥ 4 W) : D1-XXYZZ1, including mounting screws 35206 and seal 16234.
- Pilot valve : PME-XXYZZ, including seal 16337. • Pressure seal between valve and base : 16436.
- Mounting screw valve to base (x4) : 35416.

Options :

- NPTF threads.

DIMENSIONS



Function	Port size	Flow [Max]	Individual mounting
4/2 - 4/3	G3/4" - G1"	9600 NI/min	sub-base "plug-in"

OPERATIONAL BENEFITS

- Balanced spool, immune to variations of pressure.
- Short stroke with high flow.
- High shifting forces.
- Checked accumulator guarantees maximum pilot pressure.
- Powerful return force thanks to the combination of mechanical and air springs.
- Bonded spool with minimum friction, shifting in a glass-like finished bore.
- Wiping effect eliminates sticking.
- Pilot valve with balanced poppet, high flow, short and consistent response times.



HOW TO ORDER

Reset

xxxxx-xxx-PM-xyyDA

Port size	Pilot air	4/2 Single operator	4/2 Double operator	4/3 Closed centre	4/3 Open centre	4/3 Pressure centre
Valve less base		<input type="radio"/> 6611A-000-PM-xyyDA	<input type="radio"/> 6621A-000-PM-xyyDA	<input type="radio"/> 6631A-000-PM-xyyDA	<input type="radio"/> 6641A-000-PM-xyyDA	<input type="radio"/> 6651A-000-PM-xyyDA
sub-base	Internal	<input type="radio"/> 6611A-251-PM-xyyDA	<input type="radio"/> 6621A-251-PM-xyyDA	<input type="radio"/> 6631A-251-PM-xyyDA	<input type="radio"/> 6641A-251-PM-xyyDA	<input type="radio"/> 6651A-251-PM-xyyDA
G3/4"	External	<input type="radio"/> 6611A-261-PM-xyyDA	<input type="radio"/> 6621A-261-PM-xyyDA	<input type="radio"/> 6631A-261-PM-xyyDA	<input type="radio"/> 6641A-261-PM-xyyDA	<input type="radio"/> 6651A-261-PM-xyyDA
sub-base	Internal	<input type="radio"/> 6611A-351-PM-xyyDA	<input type="radio"/> 6621A-351-PM-xyyDA	<input type="radio"/> 6631A-351-PM-xyyDA	<input type="radio"/> 6641A-351-PM-xyyDA	<input type="radio"/> 6651A-351-PM-xyyDA
G1"	External	<input type="radio"/> 6611A-361-PM-xyyDA	<input type="radio"/> 6621A-361-PM-xyyDA	<input type="radio"/> 6631A-361-PM-xyyDA	<input type="radio"/> 6641A-361-PM-xyyDA	<input type="radio"/> 6651A-361-PM-xyyDA

SOLENOID OPERATOR >

XX Y DA*

XX Voltage	Y Manual operator
<input type="radio"/> 11 110V~/50Hz	<input type="radio"/> 1 Non-locking
<input type="radio"/> 12 220V~/50Hz	<input type="radio"/> 2 Locking
<input type="radio"/> 22 24V~/50Hz	<input type="radio"/> y Other Options
<input type="radio"/> 59 24V=/2,5W	
<input type="radio"/> 87 24V=/17,1W	
<input type="radio"/> 61 24V=/8,5W	
<input type="radio"/> xx Other Options	

OPTIONS

6611A-000-PM-xyyDA

click for lights on valve (replace by 3).

**TECHNICAL
DATA**

Fluid :	Compressed air, vacuum, inert gases	
Pressure range :	Internal pilot : single operator and 3 positions : 1.8 to 10 bar	double operator : 0.7 to 10 bar
	External pilot : vacuum to 10 bar	
Pilot pressure :	Single operator and 3 positions : 1.8 to 10 bar	Double operator : 0.7 to 10 bar
Lubrication :	Not required, if used select a medium aniline point lubricant (between 80°C and 100°C)	
Filtration :	40 µ	
Temperature range :	-18°C to +50°C	
Orifice :	24 mm	
Flow (at 6 bar, ΔP=1bar) :	G3/4" : 9000 NI/min (C _v 9.0) - G1" : 9600 NI/min (C _v 9.6)	
Leak rate :	100 cm ³ /min	
Coil :	Epoxy encapsulated - class A wires - 100% ED (specify mod 0449)	
Voltage range :	-15% to +10% of nominal voltage	
Protection :	IP 65	
Power :	~ Inrush : 14.8 VA	Holding : 10.9 VA
	= 1 to 17.1 W	
Response times :	24 V=8.5 W	Energize : 18 ms De-energize : 20 ms
	50Hz/6 W	Energize : 15-25 ms De-energize : 19-28 ms

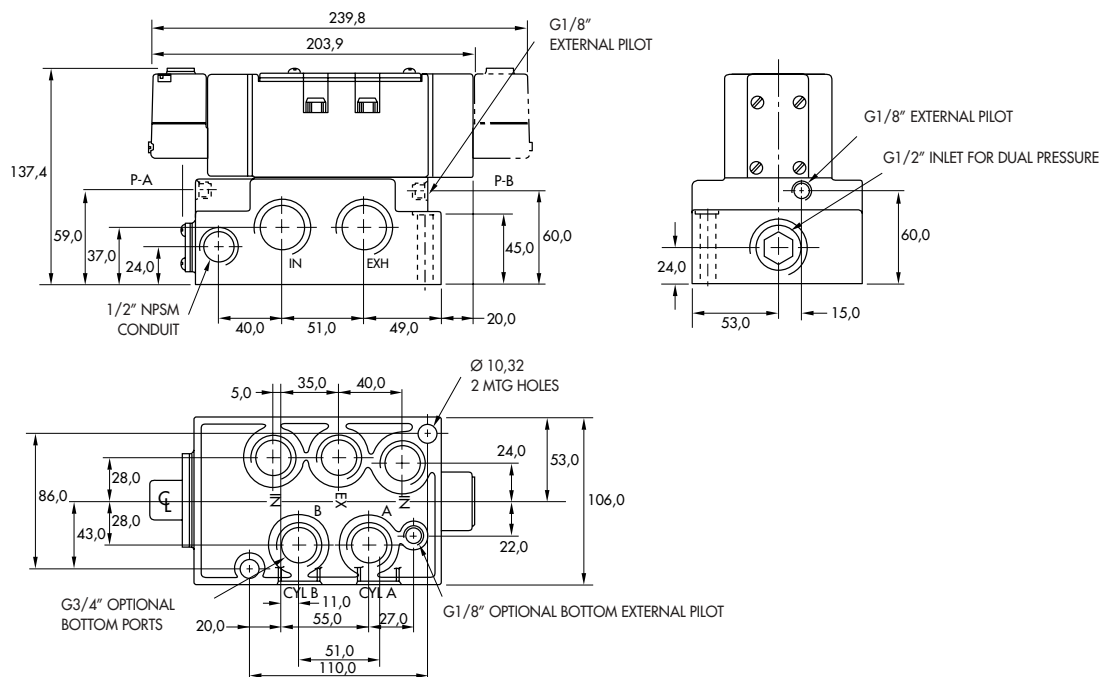
Spare parts :

- Solenoid operator (power ≥ 4 W) : D1-XXYDA1-BE, including mounting screws 35206 and seal 16234.
- Pilot valve : PME-XXYDA-BE, including seal 16337. • Pressure seal between valve and base : 16436.
- Mounting screw valve to base (x4) : 35416.

Options :

- NPTF threads. • Lights in base.

DIMENSIONS



Function	Port size	Flow [Max]	Manifold mounting
4/2 - 4/3	G3/4" - G1" - G1 1/4"	9600 NI/min	sub-base

OPERATIONAL BENEFITS

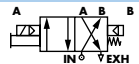
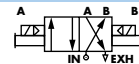
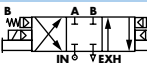

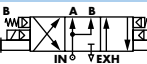
- Balanced spool, immune to variations of pressure.
- Short stroke with high flow.
- High shifting forces.
- Checked accumulator guarantees maximum pilot pressure.
- Powerful return force thanks to the combination of mechanical and air springs.
- Bonded spool with minimum friction, shifting in a glass-like finished bore.
- Wiping effect eliminates sticking.
- Pilot valve with balanced poppet, high flow, short and consistent response times.



HOW TO ORDER

Reset

XXXXX-XXX-PM-xyzz

Port size	Pilot air	4/2 Single operator	4/2 Double operator	4/3 Closed centre	4/3 Open centre	4/3 Pressure centre
						
Valve less base		<input type="radio"/> 6612A-000-PM-xyzz	<input type="radio"/> 6622A-000-PM-xyzz	<input type="radio"/> 6632A-000-PM-xyzz	<input type="radio"/> 6642A-000-PM-xyzz	<input type="radio"/> 6652A-000-PM-xyzz
sub-base	Internal	<input type="radio"/> 6612A-471-PM-xyzz	<input type="radio"/> 6622A-471-PM-xyzz	<input type="radio"/> 6632A-471-PM-xyzz	<input type="radio"/> 6642A-471-PM-xyzz	<input type="radio"/> 6652A-471-PM-xyzz
G3/4"	External	<input type="radio"/> 6612A-481-PM-xyzz	<input type="radio"/> 6622A-481-PM-xyzz	<input type="radio"/> 6632A-481-PM-xyzz	<input type="radio"/> 6642A-481-PM-xyzz	<input type="radio"/> 6652A-481-PM-xyzz
sub-base	Internal	<input type="radio"/> 6612A-571-PM-xyzz	<input type="radio"/> 6622A-571-PM-xyzz	<input type="radio"/> 6632A-571-PM-xyzz	<input type="radio"/> 6642A-571-PM-xyzz	<input type="radio"/> 6652A-571-PM-xyzz
G1"	External	<input type="radio"/> 6612A-581-PM-xyzz	<input type="radio"/> 6622A-581-PM-xyzz	<input type="radio"/> 6632A-581-PM-xyzz	<input type="radio"/> 6642A-581-PM-xyzz	<input type="radio"/> 6652A-581-PM-xyzz
sub-base	Internal	<input type="radio"/> 6612A-671-PM-xyzz	<input type="radio"/> 6622A-671-PM-xyzz	<input type="radio"/> 6632A-671-PM-xyzz	<input type="radio"/> 6642A-671-PM-xyzz	<input type="radio"/> 6652A-671-PM-xyzz
G1 1/4"	External	<input type="radio"/> 6612A-681-PM-xyzz	<input type="radio"/> 6622A-681-PM-xyzz	<input type="radio"/> 6632A-681-PM-xyzz	<input type="radio"/> 6642A-681-PM-xyzz	<input type="radio"/> 6652A-681-PM-xyzz

SOLENOID OPERATOR >

XX Y ZZ

XX	Voltage	Y	Manual operator	ZZ	Electrical connection
<input type="radio"/> 11	110V~/50Hz	<input type="radio"/> 1	Non-locking	<input type="radio"/> JB	Rectangular connector
<input type="radio"/> 12	220V~/50Hz	<input type="radio"/> 2	Locking	<input type="radio"/> JD	Rectangular connector with light
<input type="radio"/> 22	24V~/50Hz	<input type="radio"/> y	Other Options	<input type="radio"/> JA	Square connector
<input type="radio"/> 59	24V=/2,5W			<input type="radio"/> JC	Square connector with light
<input type="radio"/> 87	24V=/17,1W			<input type="radio"/> BA	Flying leads (45 cm)
<input type="radio"/> 61	24V=/8,5W			<input type="radio"/> zz	Other Options
<input type="radio"/> xx	Other Options				

TECHNICAL
DATA

Fluid :	Compressed air, vacuum, inert gases	
Pressure range :	Internal pilot : single operator and 3 positions : 1.8 to 10 bar	double operator : 0.7 to 10 bar
	External pilot : vacuum to 10 bar	
Pilot pressure :	Single operator and 3 positions : 1.8 to 10 bar	Double operator : 0.7 to 10 bar
Lubrication :	Not required, if used select a medium aniline point lubricant (between 80°C and 100°C)	
Filtration :	40 µ	
Temperature range :	-18°C to +50°C	
Orifice :	24 mm	
Flow (at 6 bar, ΔP=1 bar) :	G3/4" : 9000 NI/min (C _v 9.0) - G1" : 9600 NI/min (C _v 9.6) - G1 1/4" : 9600 NI/min (C _v 9.6)	
Leak rate :	100 cm ³ /min	
Coil :	Epoxy encapsulated - class A wires - 100% ED (specify mod 0449)	
Voltage range :	-15% to +10% of nominal voltage	
Protection :	IP 65	
Power :	~ Inrush : 14.8 VA	Holding : 10.9 VA
	= 1 to 17.1 W	
Response times :	24 V=8.5 W	Energize : 18 ms De-energize : 20 ms
	50 Hz/6 W	Energize : 15-25 ms De-energize : 19-28 ms

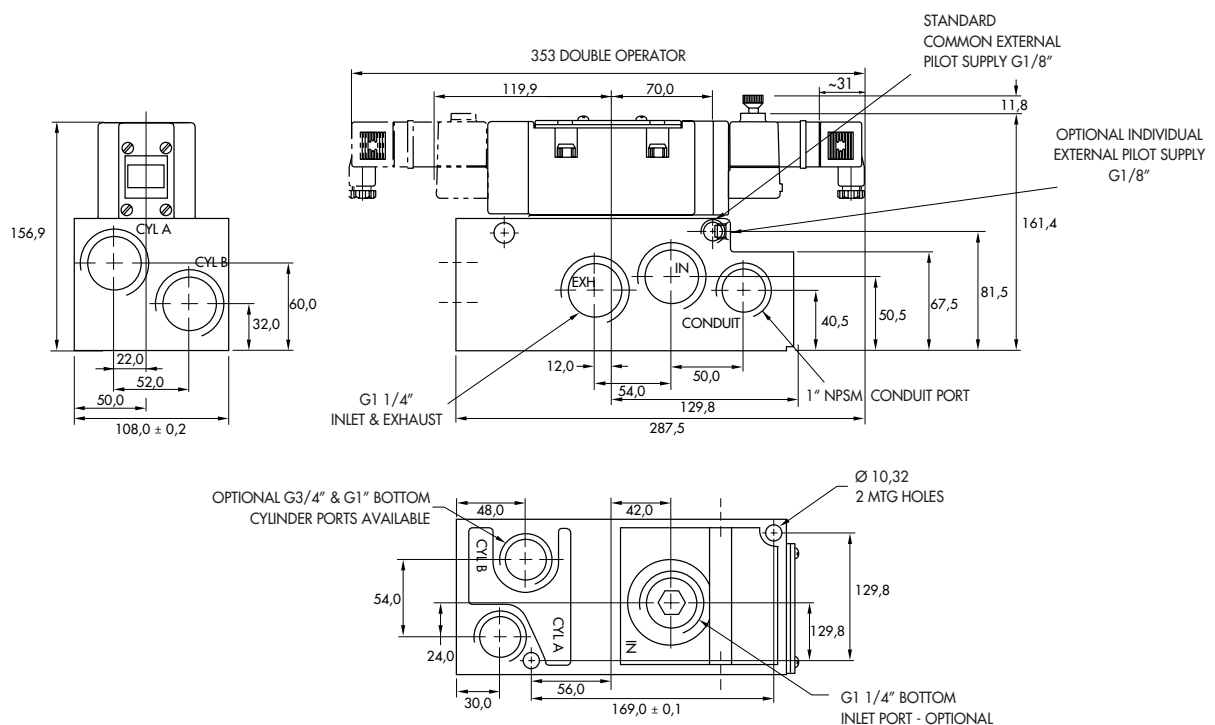
Spare parts :

- Solenoid operator (power ≥ 4 W) : D1-XXYZZ1, including mounting screws 35206 and seal 16234.
- Pilot valve : PME-XXYZZ, including seal 16337. • Pressure seal between valve and base : 16436.
- Mounting screw valve to base (x4) : 35416. • Tie-rod (x2) : 19789.

Options :

- NPTF threads.

DIMENSIONS



Function	Port size	Flow [Max]	Manifold mounting
4/2 - 4/3	G3/4" - G1" - G1 1/4"	9600 NI/min	sub-base "plug-in"

OPERATIONAL BENEFITS

- Balanced spool, immune to variations of pressure.
- Short stroke with high flow.
- High shifting forces.
- Checked accumulator guarantees maximum pilot pressure.
- Powerful return force thanks to the combination of mechanical and air springs.
- Bonded spool with minimum friction, shifting in a glass-like finished bore.
- Wiping effect eliminates sticking.
- Pilot valve with balanced poppet, high flow, short and consistent response times.



HOW TO ORDER

Reset

xxxxx-xxx-PM-xyyDA

Port size	Pilot air	4/2 Single operator	4/2 Double operator	4/3 Closed centre	4/3 Open centre	4/3 Pressure centre
Valve less base		<input type="radio"/> 6611A-000-PM-xyyDA	<input type="radio"/> 6621A-000-PM-xyyDA	<input type="radio"/> 6631A-000-PM-xyyDA	<input type="radio"/> 6641A-000-PM-xyyDA	<input type="radio"/> 6651A-000-PM-xyyDA
sub-base	Internal	<input type="radio"/> 6611A-451-PM-xyyDA	<input type="radio"/> 6621A-451-PM-xyyDA	<input type="radio"/> 6631A-451-PM-xyyDA	<input type="radio"/> 6641A-451-PM-xyyDA	<input type="radio"/> 6651A-451-PM-xyyDA
G3/4"	External	<input type="radio"/> 6611A-461-PM-xyyDA	<input type="radio"/> 6621A-461-PM-xyyDA	<input type="radio"/> 6631A-461-PM-xyyDA	<input type="radio"/> 6641A-461-PM-xyyDA	<input type="radio"/> 6651A-461-PM-xyyDA
sub-base	Internal	<input type="radio"/> 6611A-551-PM-xyyDA	<input type="radio"/> 6621A-551-PM-xyyDA	<input type="radio"/> 6631A-551-PM-xyyDA	<input type="radio"/> 6641A-551-PM-xyyDA	<input type="radio"/> 6651A-551-PM-xyyDA
G1"	External	<input type="radio"/> 6611A-561-PM-xyyDA	<input type="radio"/> 6621A-561-PM-xyyDA	<input type="radio"/> 6631A-561-PM-xyyDA	<input type="radio"/> 6641A-561-PM-xyyDA	<input type="radio"/> 6651A-561-PM-xyyDA
sub-base	Internal	<input type="radio"/> 6611A-651-PM-xyyDA	<input type="radio"/> 6621A-651-PM-xyyDA	<input type="radio"/> 6631A-651-PM-xyyDA	<input type="radio"/> 6641A-651-PM-xyyDA	<input type="radio"/> 6651A-651-PM-xyyDA
G1 1/4"	External	<input type="radio"/> 6611A-661-PM-xyyDA	<input type="radio"/> 6621A-661-PM-xyyDA	<input type="radio"/> 6631A-661-PM-xyyDA	<input type="radio"/> 6641A-661-PM-xyyDA	<input type="radio"/> 6651A-661-PM-xyyDA

SOLENOID OPERATOR >

XX Y DA*

XX	Voltage	Y	Manual operator
<input type="radio"/> 11	110V~/50Hz	<input type="radio"/> 1	Non-locking
<input type="radio"/> 12	220V~/50Hz	<input type="radio"/> 2	Locking
<input type="radio"/> 22	24V~/50Hz	<input type="radio"/> y	Other Options
<input type="radio"/> 59	24V=/2,5W		
<input type="radio"/> 87	24V=/17,1W		
<input type="radio"/> 61	24V=/8,5W		
<input type="radio"/> xx	Other Options		

OPTIONS

6611A-000-PM-xyyDA

click for lights on valve (replace by 3).

TECHNICAL
DATA

Fluid :	Compressed air, vacuum, inert gases
Pressure range :	Internal pilot : single operator and 3 positions : 1.8 to 10 bar double operator : 0.7 to 10 bar External pilot : vacuum to 10 bar
Pilot pressure :	Single operator and 3 positions: 1.8 to 10 bar Double operator : 0.7 to 10 bar
Lubrication :	Not required, if used select a medium aniline point lubricant (between 80°C and 100°C)
Filtration :	40 µ
Temperature range :	-18°C to +50°C
Orifice :	24 mm
Flow (at 6 bar, ΔP=1bar) :	G3/4" : 9000 NI/min (Cv9.0) - G1" : 9600 NI/min (Cv9.6) - G1 1/4" : 9600 NI/min (Cv9.6)
Leak rate :	100 cm ³ /min
Coil :	Epoxy encapsulated - class A wires - 100% ED (specify mod 0449)
Voltage range :	-15% to +10% of nominal voltage
Protection :	IP 65
Power :	~ Inrush : 14.8 VA Holding : 10.9 VA = 1 to 17.1 W
Response times :	24 V=8.5 W Energize : 18 ms De-energize : 20 ms 50Hz/6 W Energize : 15-25 ms De-energize : 19-28 ms

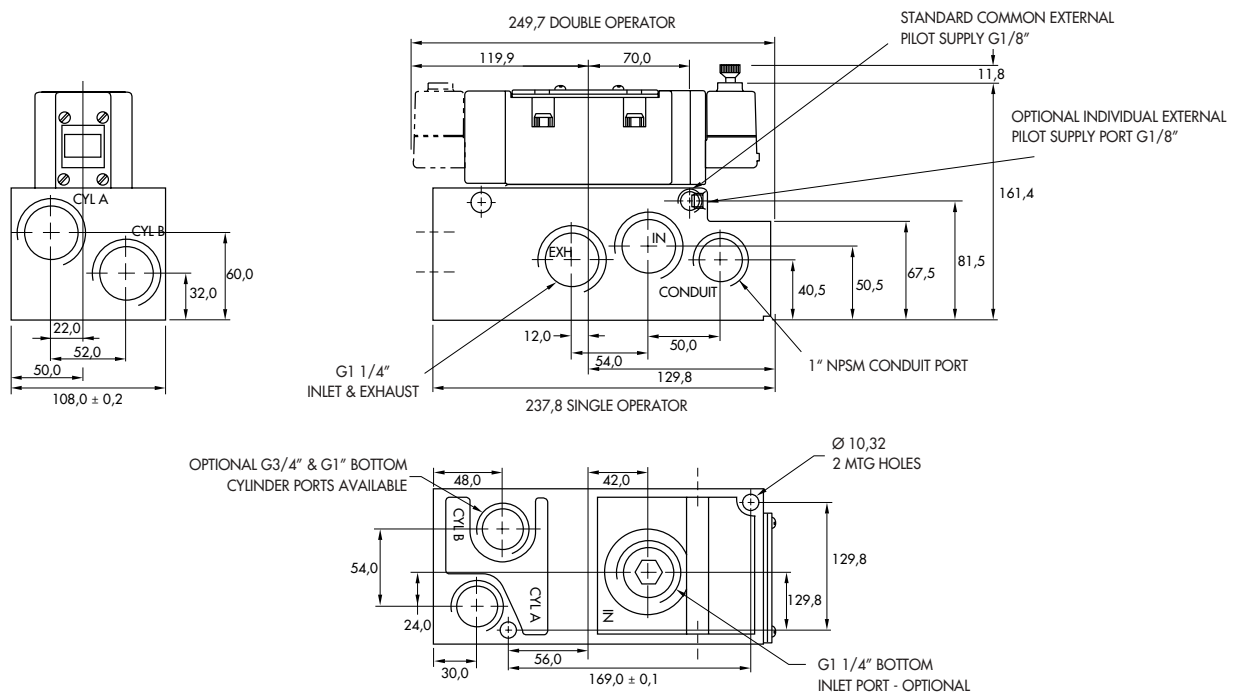
Spare parts :

- Solenoid operator (power ≥ 4 W) : D1-XXYDA1-BE, including mounting screws 35206 and seal 16234.
- Pilot valve : PME-XXYDA-BE, including seal 16337. • Pressure seal between valve and base : 16436.
- Mounting screw valve to base (x4) : 35416. • Tie-rod (x2) : 19789.

Options :

- NPTF threads. • Lights in base.

DIMENSIONS





Codification table for voltages / Manual operator / Electrical connection / Wire length

VALVE CODE >

-XX Y ZZ (-VV)
1 2 3 4

OPTIONS AVAILABLE FOR	OPTIONS AVAILABLE FOR
- valves type 100 Series - pilot valves "CNOMO"	- valves type 200 Series
- Pilot operated valves with pilots type 100 Series Series : 55 - 56 - 700 - 800 - 900 - 6200 - 6300 - 6500 - 6600 - 1300 - ISO 1 - ISO 2 - ISO 3.	- pilot operated valves with pilots type 200 Series Series : 200 - 57 - 58 - 59.
- Pilot operated valves with pilots "CNOMO" Series : ISO1 - ISO2 - ISO3	

1. VOLTAGE (type 100 Series)		1. VOLTAGE (type 200 Series)	
- XX Y ZZ	VOLTAGE	- XX Y ZZ	VOLTAGE
11	120 V~/60 Hz - 110 V~/50 Hz	11	120 V~/60 Hz - 110 V~/50 Hz - 24 V=
12	240 V~/60 Hz - 220 V~/50 Hz	12	240 V~/60 Hz - 220 V~/50 Hz
13	100 V~/60 Hz - 100 V~/50 Hz	13	100 V~/60 Hz - 100 V~/50 Hz
15	200 V~/60 Hz - 200 V~/50 Hz	14	200 V~/60 Hz - 200 V~/50 Hz
16	10 V~/60 Hz	20	6 V~/60 Hz
20	6 V~/60 Hz	21	12 V~/60 Hz
21	12 V~/50 Hz - 12 V~/60 Hz	22	24 V~/60 Hz - 24 V~/50 Hz
22	24 V~/60 Hz - 24 V~/50 Hz	23	32 V~/60 Hz - 32 V~/50 Hz
23	32 V~/60 Hz - 32 V~/50 Hz	24	48 V~/60 Hz - 42 V~/50 Hz
24	48 V~/60 Hz - 42 V~/50 Hz	25	240 V~/50 Hz
26	380 V~/50 Hz, 440 V~/50 Hz -440 V~/60 Hz, 480 V~/60 Hz-CLSF	26	480 V~/60 Hz - 440 V~/50 Hz
29	200 V~/60 Hz	27	127 V~/60 Hz
34	127 V~/50 Hz - 120 V~/50 Hz	28	415 V~/50 Hz
35	48 V~/50 Hz	29	200 V~/60 Hz
36	16 V~/60 Hz	30	380 V~/50 Hz
B1	24 V~/50 Hz	31	550 V~/60 Hz - 550 V~/50 Hz
50	24 V=/6 W	32	120 V~/60 Hz - 110 V~/50 Hz
51	24 V=/4 W	33	600 V~/60 Hz
54	12 V=/4 W	34	127 V~/50 Hz
55	12 V=/6 W	35	48 V~/50 Hz
57	12 V=/2,5 W	50	24 V=/6 W
59	24 V=/2,5 W	51	24 V=/4,5 W
60	12 V=/8,5 W	52	24 V=/2,5 W
61	24 V=/8,5 W	53	24 V=/1 W
64	6 V=/6 W	55	12 V=/6 W
65	32 V=/7 W	57	12 V=/2,5 W
66	48 V=/5,8 W	58	48 V=/2,5 W
67	64 V=/7,5 W	60	12 V=/9,5 W
68	120 V=/6,4 W	61	24 V=/8,5 W
69	220 V=/8,7 W - 250 V=/11,2 W CLSF	64	6 V=/8,5 W
75	90 V=/8,8 W CLSF	65	32 V=/10 W
76	100 V=/6,9 W CLSF	66	48 V=/11,5 W
84	125 V=/10,9 W CLSF	67	64 V=/10,5 W
87	24 V=/17,1 W CLSF	68	120 V=/12,3 W
88	12 V=/17,4 W CLSF	69	250 V=/9,2 W
89	36 V=/18,8 W CLSF	71	8 V=/8,2 W
90	28 V=/8,2 W	72	24 V=/12 W
91	6 V=/10,6 W CLSF	73	198 V=/10 W
92	190 V=/6,5 W	74	72 V=/11,3 W
94	3 V=/7 W	75	90 V=/11,3 W
95	38 V=/6,4 W	76	100 V=/9 W
A1	24 V=/1 W	77	220 V=/10 W - 230 V=/1,6 W
A2	12 V=/1 W	78	24 V=/24 W CLSF
A3	9 V=/1 W	80	55 V=/10,6 W CLSF
MOD. DD01 : Protection diode (DC)		82	179 V=/11,1 W
MOD. MOV1 : Protection varistor (AC)		83	15 V=/8,1 W
MOD. DD01 : max. 8,5 W		84	125 V=/10 W
MOD. MOV1 : max. 8,5 W		86	36 V=/11 W
		93	12 V=/24 W CLSF

2. MANUAL OPERATOR (Common options for 100 & 200 Series)

- XX Y ZZ	MANUAL OPERATOR
0	No operator
1	Non-locking recessed
2	Locking recessed
3	Non-locking extended
4	Locking extended

3. ELECTRICAL CONNECTION (type 100 Series)

- XX Y ZZ	ELECTRICAL CONNECTION
AA	Wiring box with 1/2" NPS conduit
BA	Flying leads
CA	1/2" NPS conduit
CC	1/2" NPS conduit
FA	Military type 2 PIN
GA	Military type 3 PIN
HA	AA with ground wire
JA*	Square connector
JB	Rectangular connector
JC*	Square connector with light
JD	Rectangular connector with light
JE	Square connector on top (ISO2, ISO3)
JF	Rectangular connector on top (ISO1, ISO2, ISO3)
JG	JE with light
JH	JF with light
JJ	Square connector, male only
JM	Rectangular connector, male only
MA	Electrical common conduit
MB	Electrical common conduit
NA	CA with ground wire
NC	CC with ground wire
RA	3/8" NPS conduit
AD	Wiring box 20 mm
AH	Wiring box PG 13,5 with ground wire
CD	20 mm conduit
CG	PG 11 conduit
HH	Wiring box PG 13,5 with ground wire
ND	20 mm conduit with ground wire
NG	PG11 conduit with ground wire
HD	20 mm wiring box with ground wire

3. ELECTRICAL CONNECTION (type 200 Series)

- XX Y ZZ	ELECTRICAL CONNECTION
AA	Wiring box with 1/2" NPS conduit
BA	Flying leads
CA	1/2" NPS conduit
CC	1/2" NPS conduit
EA	Explosion proof (200 Series)
EA	Explosion proof (57, 58 & 59 Series)
EE	Explosion proof (CENELEC)
EN	Explosion proof with ground wire
FA	Military type 2 PIN
GA	Military type 3 PIN
HA	AA with ground wire
JA*	Square connector
JC	Square connector with light
JJ	Square connector, male only
NA	CA with ground wire
NC	CC with ground wire
AD	Wiring box 20 mm
AK	PG 16 wiring box
CD	20 mm conduit
CK	PG 16 conduit
HD	20 mm wiring box with ground wire
HK	PG16 wiring box with ground wire
ND	20 mm conduit with ground wire
NK	PG16 wiring box with ground wire

* Not to be used with 100, 800 and 900 Series manifold mounting

4. WIRE LENGTH (Common options for 100 & 200 Series)

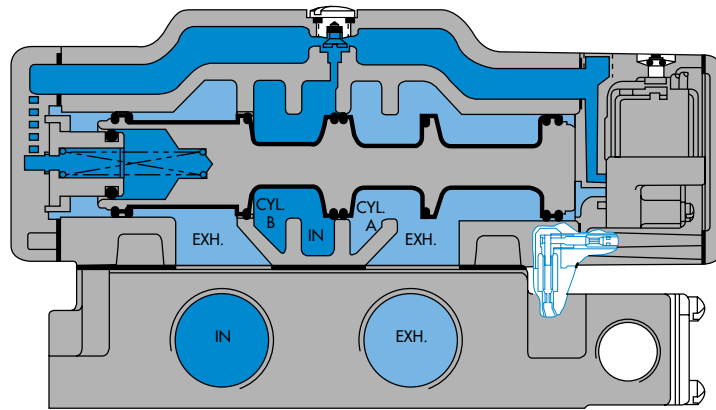
- XX Y ZZ (-VV)	WIRE LENGTH
AA	45 cm - 18"
AB	60 cm - 24"
AD	90 cm - 36"
AE	120 cm - 48"
AF	180 cm - 72"
AG	15 cm - 6"
AR	30 cm - 12"
AU	305 cm - 120"
BA	152 cm - 60"
BB	366 cm - 144"

Series 6000 : wire length, delivered with the base

MOD L024	60 cm - 24"
MOD L036	91 cm - 36"
MOD L048	122 cm - 48"
MOD L060	152 cm - 60"
MOD L072	180 cm - 72"
MOD L120	305 cm - 120"

Individual mounting

sub-base
"plug-in"



Function	Port size	Flow [Max]	Individual mounting
4/2 - 4/3	G3/4" - G1" - G1 1/4" - G1 1/2"	15900 NI/min	sub-base "plug-in"

OPERATIONAL BENEFITS

- Balanced spool, immune to variations of pressure.
- Short stroke with high flow.
- High shifting forces.
- Checked accumulator guarantees maximum pilot pressure.
- Powerful return force thanks to the combination of mechanical and air springs.
- Bonded spool with minimum friction, shifting in a glass-like finished bore.
- Wiping effect eliminates sticking.
- Pilot valve with balanced poppet, high flow, short and consistent response times.



HOW TO ORDER

Reset

xxxxG-xyDA-xx

Port size	4/2 Single operator	4/2 Double operator	4/3 Closed centre	4/3 Open centre
Valve less base	<input type="radio"/> 1301G-xyDA-xx	<input type="radio"/> 1303G-xyDA-xx	<input type="radio"/> 1307G-xyDA-xx	<input type="radio"/> 1308G-xyDA-xx
Su base G 3/4"	<input type="radio"/> 1321G-xyDA-xx	<input type="radio"/> 1323G-xyDA-xx	<input type="radio"/> 1327G-xyDA-xx	<input type="radio"/> 1328G-xyDA-xx
Su base G 1"	<input type="radio"/> 1331G-xyDA-xx	<input type="radio"/> 1333G-xyDA-xx	<input type="radio"/> 1337G-xyDA-xx	<input type="radio"/> 1338G-xyDA-xx
Su base G1 1/4"	<input type="radio"/> 1351G-xyDA-xx	<input type="radio"/> 1353G-xyDA-xx	<input type="radio"/> 1357G-xyDA-xx	<input type="radio"/> 1358G-xyDA-xx
Su base G1 1/2"	<input type="radio"/> 1361G-xyDA-xx	<input type="radio"/> 1363G-xyDA-xx	<input type="radio"/> 1367G-xyDA-xx	<input type="radio"/> 1368G-xyDA-xx

SOLENOID OPERATOR >

XX		Y		X		X	
Voltage		Manual operator		Pilot air		Indicator light	
<input type="radio"/> 11	110V~/50Hz	<input type="radio"/> 1	Non-locking	<input type="radio"/> 3	Internal	<input type="radio"/> 5	With light in base
<input type="radio"/> 12	220V~/50Hz	<input type="radio"/> 2	Locking	<input type="radio"/> 4	External		
<input type="radio"/> 22	24V~/50Hz	<input type="radio"/> y	Other Options				
<input type="radio"/> 87	24V=/17,1W						
<input type="radio"/> 59	24V=/2,5W						
<input type="radio"/> 61	24V=/8,5W						
<input type="radio"/> xx	Other Options						

**TECHNICAL
DATA**

Fluid :	Compressed air, vacuum, inert gases
Pressure range :	Internal pilot : single operator and 3 positions : 1.8 to 10 bar double operator : 0.7 to 10 bar External pilot : vacuum to 10 bar
Pilot pressure :	Single operator and 3 positions : 1.8 to 10 bar Double operator : 0.7 to 10 bar.
Lubrication :	Not required, if used select a medium aniline point lubricant (between 80°C and 100°C)
Filtration :	40 µ
Temperature range :	-18°C to +50°C
Orifice :	35 mm
Flow (at 6 bar, ΔP=1bar) :	G3/4" : 11500 NI/min (C _v 11.5) - G1" : 13700 NI/min (C _v 13.7) - G1 1/4" : 15400 NI/min (C _v 15.4) - G1 1/2" : 15900 NI/min (C _v 15.9)
Leak rate :	100 cm ³ /min
Coil :	Epoxy encapsulated - class A wires - 100% ED (specify mod 0449)
Voltage range :	-15% to +10% of nominal voltage
Protection :	IP 65
Power :	~ Inrush : 14.8 VA Holding : 10.9 VA = 1 to 17.1 W
Response times :	24 V=8.5 W Energize : 20 ms De-energize : 28ms 50Hz/6 W Energize : 17-23 ms De-energize : 29-35 ms

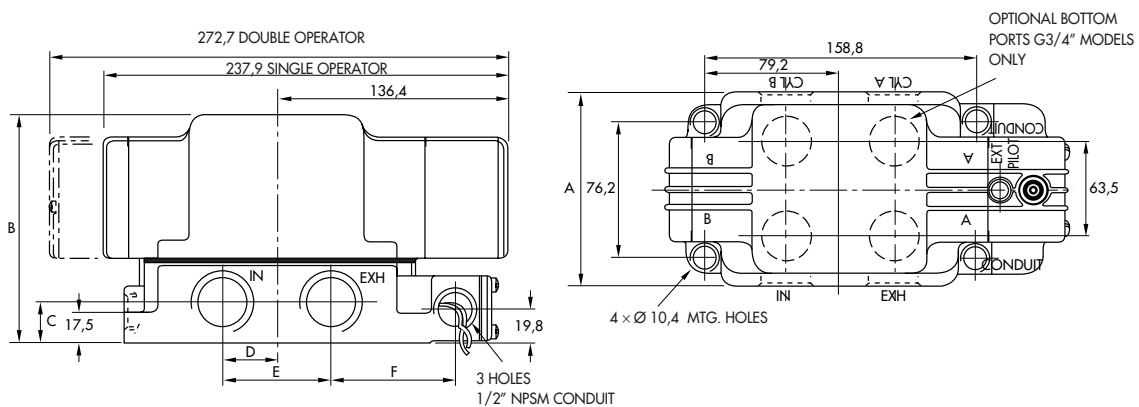
Spare parts :

- Solenoid operator (power ≥ 4 W) : D1-XXBD.
- Pressure seal between valve and base : 16083.
- Pilot valve : 150B-XXBD, including mounting screws 32180 and adaptor plate N-03001.
- Mounting screw valve to base (x4) : 32396.

Options :

- NPTF threads.
- Lights in base.

DIMENSIONS



Port size	A	B	C	D	E	F
G3/4"	111,3	132,4	23,8	31,7	63,5	71,4
G1 1/4"	114,3	148,3	30,2	38,1	76,2	65,0
G1 1/2"				35,0	69,9	68,0



Codification table for voltages / Manual operator / Electrical connection / Wire length

VALVE CODE >

-XX Y ZZ (-VV)
1 2 3 4

OPTIONS AVAILABLE FOR	OPTIONS AVAILABLE FOR
- valves type 100 Series - pilot valves "CNOMO"	- valves type 200 Series
- Pilot operated valves with pilots type 100 Series Series : 55 - 56 - 700 - 800 - 900 - 6200 - 6300 - 6500 - 6600 - 1300 - ISO 1 - ISO 2 - ISO 3.	- pilot operated valves with pilots type 200 Series Series : 200 - 57 - 58 - 59.
- Pilot operated valves with pilots "CNOMO" Series : ISO1 - ISO2 - ISO3	

1. VOLTAGE (type 100 Series)		1. VOLTAGE (type 200 Series)	
- XX Y ZZ	VOLTAGE	- XX Y ZZ	VOLTAGE
11	120 V~/60 Hz - 110 V~/50 Hz	11	120 V~/60 Hz - 110 V~/50 Hz - 24 V=
12	240 V~/60 Hz - 220 V~/50 Hz	12	240 V~/60 Hz - 220 V~/50 Hz
13	100 V~/60 Hz - 100 V~/50 Hz	13	100 V~/60 Hz - 100 V~/50 Hz
15	200 V~/60 Hz - 200 V~/50 Hz	14	200 V~/60 Hz - 200 V~/50 Hz
16	10 V~/60 Hz	20	6 V~/60 Hz
20	6 V~/60 Hz	21	12 V~/60 Hz
21	12 V~/50 Hz - 12 V~/60 Hz	22	24 V~/60 Hz - 24 V~/50 Hz
22	24 V~/60 Hz - 24 V~/50 Hz	23	32 V~/60 Hz - 32 V~/50 Hz
23	32 V~/60 Hz - 32 V~/50 Hz	24	48 V~/60 Hz - 42 V~/50 Hz
24	48 V~/60 Hz - 42 V~/50 Hz	25	240 V~/50 Hz
26	380 V~/50 Hz, 440 V~/50 Hz -440 V~/60 Hz, 480 V~/60 Hz-CLSF	26	480 V~/60 Hz - 440 V~/50 Hz
29	200 V~/60 Hz	27	127 V~/60 Hz
34	127 V~/50 Hz - 120 V~/50 Hz	28	415 V~/50 Hz
35	48 V~/50 Hz	29	200 V~/60 Hz
36	16 V~/60 Hz	30	380 V~/50 Hz
B1	24 V~/50 Hz	31	550 V~/60 Hz - 550 V~/50 Hz
50	24 V=/6 W	32	120 V~/60 Hz - 110 V~/50 Hz
51	24 V=/4 W	33	600 V~/60 Hz
54	12 V=/4 W	34	127 V~/50 Hz
55	12 V=/6 W	35	48 V~/50 Hz
57	12 V=/2,5 W	50	24 V=/6 W
59	24 V=/2,5 W	51	24 V=/4,5 W
60	12 V=/8,5 W	52	24 V=/2,5 W
61	24 V=/8,5 W	53	24 V=/1 W
64	6 V=/6 W	55	12 V=/6 W
65	32 V=/7 W	57	12 V=/2,5 W
66	48 V=/5,8 W	58	48 V=/2,5 W
67	64 V=/7,5 W	60	12 V=/9,5 W
68	120 V=/6,4 W	61	24 V=/8,5 W
69	220 V=/8,7 W - 250 V=/11,2 W CLSF	64	6 V=/8,5 W
75	90 V=/8,8 W CLSF	65	32 V=/10 W
76	100 V=/6,9 W CLSF	66	48 V=/11,5 W
84	125 V=/10,9 W CLSF	67	64 V=/10,5 W
87	24 V=/17,1 W CLSF	68	120 V=/12,3 W
88	12 V=/17,4 W CLSF	69	250 V=/9,2 W
89	36 V=/18,8 W CLSF	71	8 V=/8,2 W
90	28 V=/8,2 W	72	24 V=/12 W
91	6 V=/10,6 W CLSF	73	198 V=/10 W
92	190 V=/6,5 W	74	72 V=/11,3 W
94	3 V=/7 W	75	90 V=/11,3 W
95	38 V=/6,4 W	76	100 V=/9 W
A1	24 V=/1 W	77	220 V=/10 W - 230 V=/1,6 W
A2	12 V=/1 W	78	24 V=/24 W CLSF
A3	9 V=/1 W	80	55 V=/10,6 W CLSF
MOD. DD01 : Protection diode (DC)		82	179 V=/11,1 W
MOD. MOV1 : Protection varistor (AC)		83	15 V=/8,1 W
MOD. DD01 : max. 8,5 W		84	125 V=/10 W
MOD. MOV1 : max. 8,5 W		86	36 V=/11 W
		93	12 V=/24 W CLSF

2. MANUAL OPERATOR (Common options for 100 & 200 Series)

- XX Y ZZ	MANUAL OPERATOR
0	No operator
1	Non-locking recessed
2	Locking recessed
3	Non-locking extended
4	Locking extended

3. ELECTRICAL CONNECTION (type 100 Series)

- XX Y ZZ	ELECTRICAL CONNECTION
AA	Wiring box with 1/2" NPS conduit
BA	Flying leads
CA	1/2" NPS conduit
CC	1/2" NPS conduit
FA	Military type 2 PIN
GA	Military type 3 PIN
HA	AA with ground wire
JA*	Square connector
JB	Rectangular connector
JC*	Square connector with light
JD	Rectangular connector with light
JE	Square connector on top (ISO2, ISO3)
JF	Rectangular connector on top (ISO1, ISO2, ISO3)
JG	JE with light
JH	JF with light
JJ	Square connector, male only
JM	Rectangular connector, male only
MA	Electrical common conduit
MB	Electrical common conduit
NA	CA with ground wire
NC	CC with ground wire
RA	3/8" NPS conduit
AD	Wiring box 20 mm
AH	Wiring box PG 13,5 with ground wire
CD	20 mm conduit
CG	PG 11 conduit
HH	Wiring box PG 13,5 with ground wire
ND	20 mm conduit with ground wire
NG	PG11 conduit with ground wire
HD	20 mm wiring box with ground wire

3. ELECTRICAL CONNECTION (type 200 Series)

- XX Y ZZ	ELECTRICAL CONNECTION
AA	Wiring box with 1/2" NPS conduit
BA	Flying leads
CA	1/2" NPS conduit
CC	1/2" NPS conduit
EA	Explosion proof (200 Series)
EA	Explosion proof (57, 58 & 59 Series)
EE	Explosion proof (CENELEC)
EN	Explosion proof with ground wire
FA	Military type 2 PIN
GA	Military type 3 PIN
HA	AA with ground wire
JA*	Square connector
JC	Square connector with light
JJ	Square connector, male only
NA	CA with ground wire
NC	CC with ground wire
AD	Wiring box 20 mm
AK	PG 16 wiring box
CD	20 mm conduit
CK	PG 16 conduit
HD	20 mm wiring box with ground wire
HK	PG16 wiring box with ground wire
ND	20 mm conduit with ground wire
NK	PG16 wiring box with ground wire

* Not to be used with 100, 800 and 900 Series manifold mounting

4. WIRE LENGTH (Common options for 100 & 200 Series)

- XX Y ZZ (-VV)	WIRE LENGTH
AA	45 cm - 18"
AB	60 cm - 24"
AD	90 cm - 36"
AE	120 cm - 48"
AF	180 cm - 72"
AG	15 cm - 6"
AR	30 cm - 12"
AU	305 cm - 120"
BA	152 cm - 60"
BB	366 cm - 144"

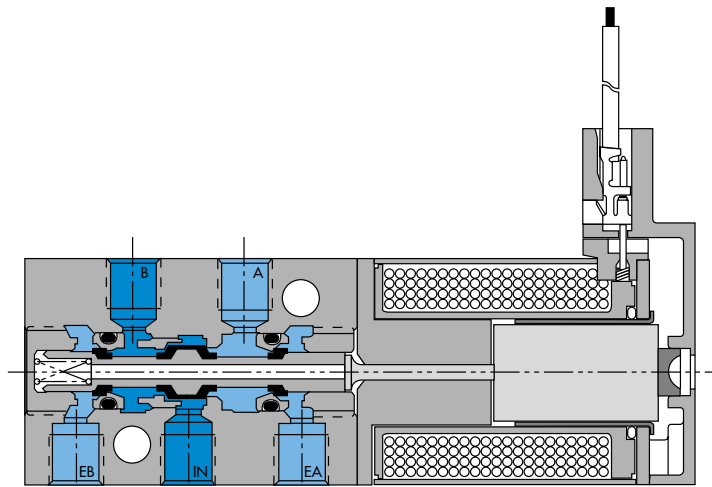
Series 6000 : wire length, delivered with the base

MOD L024	60 cm - 24"
MOD L036	91 cm - 36"
MOD L048	122 cm - 48"
MOD L060	152 cm - 60"
MOD L072	180 cm - 72"
MOD L120	305 cm - 120"

Individual mounting



Circuit bar mounting



Function	Port size	Flow [Max]	Individual mounting
5/2	M5	100 NI/min	inline

OPERATIONAL BENEFITS

1. 10 mm valve, direct solenoid operated.
2. Balanced poppet, immune to variations of pressure.
3. Short stroke with high flow.
4. The patented solenoid develops high shifting forces.
5. Powerful return spring.
6. Flow is specifically adjusted on each valve.
7. Manual operator standard on all valves.



HOW TO ORDER

Reset

44A-xxx-Gxxx-xxx

PRESSURE RANGE : 0 TO 8.5 BAR

Port size	Universal valve	For use with external flow regulators
M5	 <input type="radio"/> 44A-ABA-Gxxx-xxx	 <input type="radio"/> 44A-BBA-Gxxx-xxx

SOLENOID OPERATOR >

G **XX X- X XX**

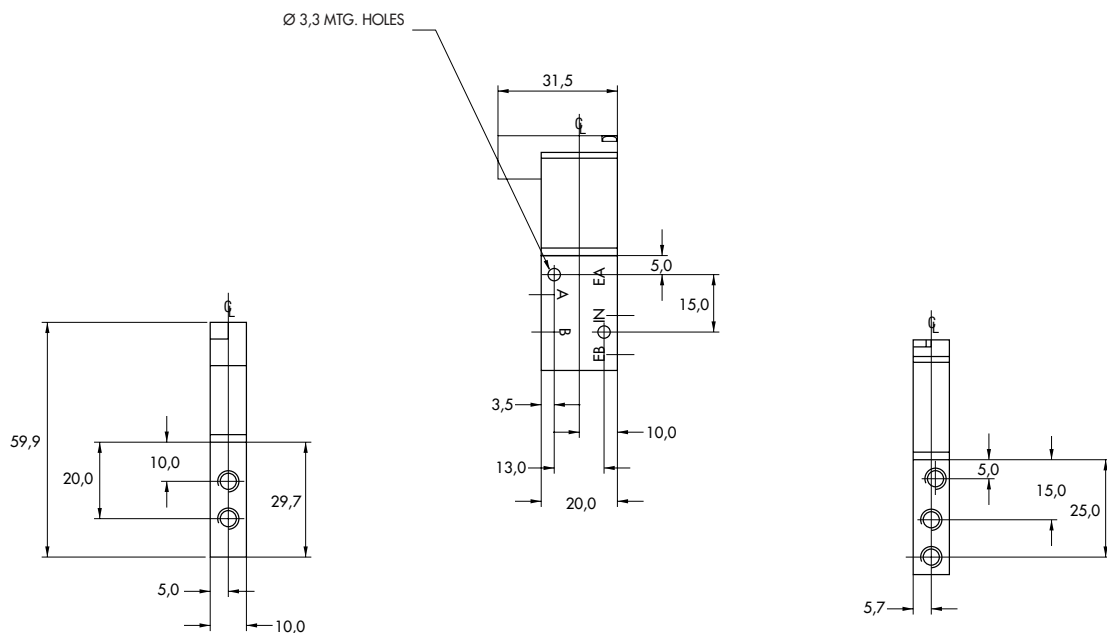
XX Voltage	X Wire length	X Manual operator	XX Electrical connection
<input type="radio"/> DA 24V=/1W	<input type="radio"/> A 45 cm	<input type="radio"/> 1 Non-locking	<input type="radio"/> BA Flying leads
<input type="radio"/> DC 24V=/1,8W	<input type="radio"/> c 92 cm		<input type="radio"/> BT Flying leads with light
<input type="radio"/> DD 24V=/2,5W	<input type="radio"/> x Other Options		<input type="radio"/> KA Mini connector
<input type="radio"/> DF 24V=/4W			<input type="radio"/> KT Mini connector with light
<input type="radio"/> xx Other Options			<input type="radio"/> xx Other Options

**TECHNICAL
DATA**

Fluid :	Compressed air, vacuum, inert gases
Pressure range :	Vacuum to 8.5 bar
Lubrication :	Not required, if used select a medium aniline point lubricant (between 80°C and 100°C)
Filtration :	40 µ
Temperature range :	-18°C to +50°C
Orifice :	1.8 mm
Flow (at 6 bar, ΔP=1 bar) :	4 W : 100NL/min (C _v 0.1) - 2.5 W : 80 NL/min (C _v 0.08) - 1.8 W : 60 NL/min (C _v 0.06) - 1.0 W: 50 NL/min (C _v 0.05)
Leak rate :	50 cm ³ /min
Coil :	Epoxy encapsulated - class A wires - 100% ED
Voltage range :	-15% to +10% of nominal voltage
Protection :	IP 54
Power :	4 W - 2.5 W - 1.8 W - 1.0 W
Response times :	Energize : 3.5 ms
(with 4 W coil)	De-energize : 1.5 ms

Note : • Valve and coil are not interchangeable.

DIMENSIONS



Function	Port size	Flow [Max]	Circuit bar mounting
5/2	M5	80 NI/min	cylinder ports in base

OPERATIONAL BENEFITS

1. 10 mm valve, direct solenoid operated.
2. Balanced poppet, immune to variations of pressure.
3. Short stroke with high flow.
4. The patented solenoid develops high shifting forces.
5. Powerful return spring.
6. Flow is specifically adjusted on each valve.
7. Manual operator standard on all valves.

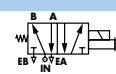
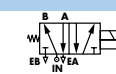


HOW TO ORDER

Reset

44A-xxx-Gxxx-xxx

HOW TO ORDER VALVE FOR CIRCUIT BAR MOUNTING

Port size (see base)	Universal valve	For use with external flow regulators
		
Valve less base	<input type="radio"/> 44A-LOO-Gxxx-xxx	<input type="radio"/> 44A-MOO-Gxxx-xxx

SOLENOID OPERATOR >

G **XX X- X XX**

XX Voltage	X Wire length	X Manual operator	XX Electrical connection
<input type="radio"/> DA 24V=/1W	<input type="radio"/> A 45 cm	<input type="radio"/> 1 Non-locking	<input type="radio"/> BA Flying leads
<input type="radio"/> DC 24V=/1,8W	<input type="radio"/> c 92 cm		<input type="radio"/> BT Flying leads with light
<input type="radio"/> DD 24V=/2,5W	<input type="radio"/> x Other Options		<input type="radio"/> KA Mini connector
<input type="radio"/> DF 24V=/4W			<input type="radio"/> KT Mini connector with light
<input type="radio"/> xx Other Options			<input type="radio"/> xx Other Options

HOW TO ORDER CIRCUIT BAR**

EBP44A-xxxx-xx

Port size	Side cylinder ports	Bottom cylinder ports
M5	<input type="radio"/> EBP44A-001D-xx	<input type="radio"/> EBP44A-002D-xx

** Other options available. Consult factory.

Number of stations (03=3 stations)

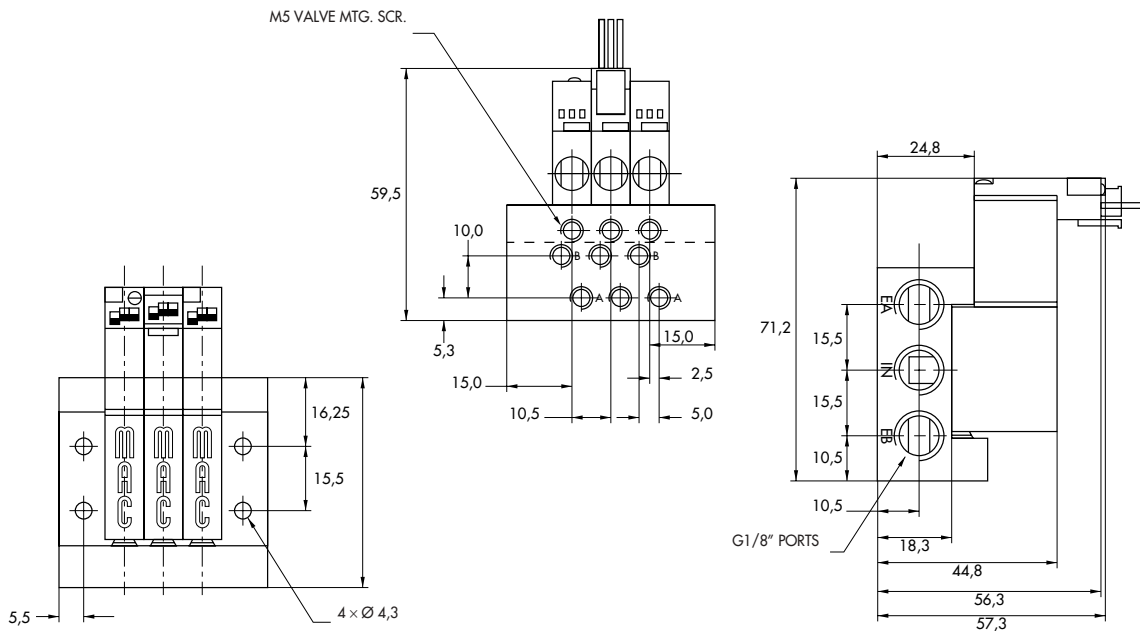
Note click for valves mounted on base at the factory (add - 9 to the model number).

TECHNICAL
DATA

Fluid :	Compressed air, vacuum, inert gases
Pressure range :	Vacuum to 8.5 bar
Lubrication :	Not required, if used select a medium aniline point lubricant (between 80°C and 100°C)
Filtration :	40 µ
Temperature range :	-18°C to +50°C
Orifice :	1.8 mm
Flow (at 6 bar, ΔP=1 bar) :	4 W : 80NI/min (C _v 0.08) - 2.5 W : 60 NI/min (C _v 0.06) - 1.8 W : 40 NI/min (C _v 0.04) - 1.0 W : 30 NI/min (C _v 0.03)
Leak rate :	50 cm ³ /min
Coil :	Epoxy encapsulated - class A wires - 100% ED
Voltage range :	-15% to +10% of nominal voltage
Protection :	IP 54
Power :	4 W - 2.5 W - 1.8 W - 1.0 W
Response times :	Energize : 3.4 ms
(with 4 W coil)	De-energize : 1.5 ms

- Note :
- Valve and coil are not interchangeable.
- Spare parts :
- Valve mounting kit : N-44001. • Blanking plate : 30428-A.
- Options :
- Isolation of inlet and/or exhaust.

DIMENSIONS



Function	Port size	Flow [Max]	Circuit bar mounting
5/2	M5	80 NI/min	cylinder ports in valve

OPERATIONAL BENEFITS

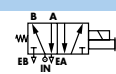
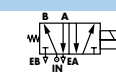
1. 10 mm valve, direct solenoid operated.
2. Balanced poppet, immune to variations of pressure.
3. Short stroke with high flow.
4. The patented solenoid develops high shifting forces.
5. Powerful return spring.
6. Flow is specifically adjusted on each valve.
7. Manual operator standard on all valves.



HOW TO ORDER

Reset **44A-xxx-Gxxx-xxx**

HOW TO ORDER VALVE FOR CIRCUIT BAR MOUNTING

Port size M5	Universal valve	For use with external flow regulators
		
Valve less base	<input type="radio"/> 44A-ABA-Gxxx-xxx	<input type="radio"/> 44A-BBA-Gxxx-xxx

SOLENOID OPERATOR >

G **XX X- X XX**

XX Voltage	X Wire length	X Manual operator	XX Electrical connection
<input type="radio"/> DA 24V=/1W	<input type="radio"/> A 45 cm	<input type="radio"/> 1 Non-locking	<input type="radio"/> BA Flying leads
<input type="radio"/> DC 24V=/1,8W	<input type="radio"/> c 92 cm		<input type="radio"/> BT Flying leads with light
<input type="radio"/> DD 24V=/2,5W	<input type="radio"/> x Other Options		<input type="radio"/> KA Mini connector
<input type="radio"/> DF 24V=/4W			<input type="radio"/> KT Mini connector with light
<input type="radio"/> xx Other Options			<input type="radio"/> xx Other Options

HOW TO ORDER CIRCUIT BAR**

EBM44A-xxxx-xx

Port size	
M5	<input type="radio"/> EBM44A-001D-xx
G1/8"	<input type="radio"/> EBM44A-002C-xx

** Other options available. Consult factory.

Note click for valves mounted on base at the factory (add - 9 to the model number).

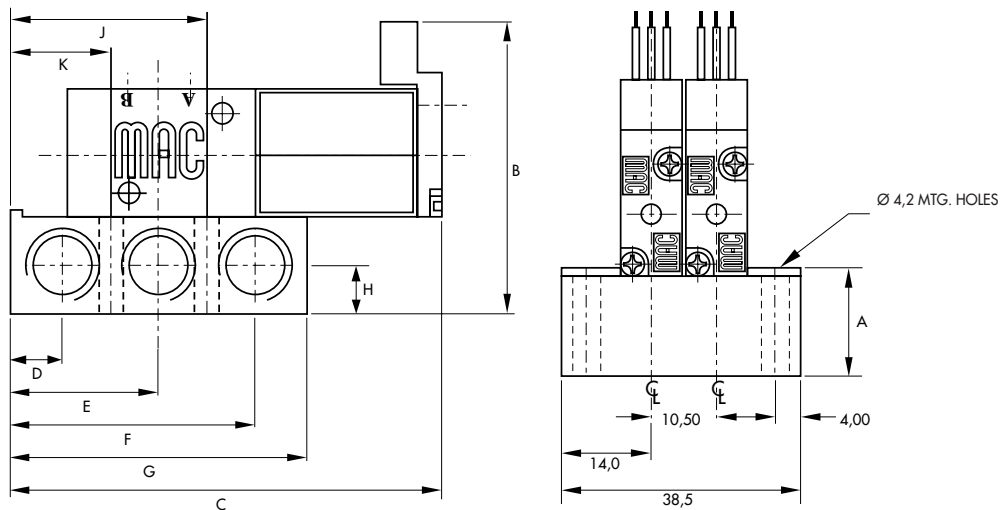
Number of stations (03=3 stations)

**TECHNICAL
DATA**

Fluid :	Compressed air, vacuum, inert gases
Pressure range :	Vacuum to 8.5 bar
Lubrication :	Not required, if used select a medium aniline point lubricant (between 80°C and 100°C)
Filtration :	40 µ
Temperature range :	-18°C to +50°C
Orifice :	1.8 mm
Flow (at 6 bar, ΔP=1 bar) :	4 W : 80NI/min (C _v 0.08) - 2.5 W : 60 NI/min (C _v 0.06) - 1.8 W : 40 NI/min (C _v 0.04) - 1.0 W : 30 NI/min (C _v 0.03)
Leak rate :	50 cm ³ /min
Coil :	Epoxy encapsulated - class A wires - 100% ED
Voltage range :	-15% to +10% of nominal voltage
Protection :	IP 54
Power :	4 W - 2.5 W - 1.8 W - 1.0 W
Response times :	Energize : 3.5 ms
(with 4 W coil)	De-energize : 1.5 ms

- Note : • Valve and coil are not interchangeable.
- Spare parts : • Valve mounting kit (M5) : M-44001-21. • Valve mounting kit (G1/8") : M-44001-01.
- Options : • Isolation of inlet and/or exhaust.

DIMENSIONS



Port size	A	B	C	D	E	F	G	H	J	K
G1/8"	16,0	47,5	69,2	8,5	24,0	39,5	48,0	8,0	31,85	16,15
M5	12,0	43,5	63,2	5,0	17,0	29,0	34,0	6,0	23,00	11,00



0 p t i o n s

Codification table for voltages / Manual operator / Electrical connection

VALVE CODE >

-G XX X - 1 XX
1 2 3 4

OPTIONS AVAILABLE FOR

- solenoid valves 34 & 44 Series

1. VOLTAGE (type 34 Series)		1. VOLTAGE (type 44 Series)	
-G XX X - I XX	VOLTAGE	-G XX X - I XX	VOLTAGE
DC	24 V=/1,8 W	DA	24 V=/1,0 W
DD	24 V=/2,5 W	DC	24 V=/1,8 W
DE	24 V=/3,0 W	DD	24 V=/2,5 W
DF	24 V=/4,0 W	DF	24 V=/4,0 W
DJ	12 V=/1,8 W	DG	12 V=/1,0 W
DK	12 V=/2,5 W	DJ	12 V=/1,8 W
DM	12 V=/3,0 W	DK	12 V=/2,5 W
DN	12 V=/4,0 W	DN	12 V=/4,0 W
ED	120 V~/50 Hz (2,5 W)	ED	120 V~/50 Hz (2,5 W)

2. WIRE LENGTH (Common options for 34 & 44 Series)	
-G XX X - I XX	WIRE LENGTH
A	45 cm - 18"
B	60 cm - 24"
C	90 cm - 36"
D	120 cm - 48"
E	180 cm - 72"
F	240 cm - 96"
G	305 cm - 120"
H	366 cm - 144"

3. MANUAL OPERATOR

-G XX X - 1 XX	MANUAL OPERATOR
1	Non-locking recessed

4. ELECTRICAL CONNECTION

-G XX X - 1 XX	NO CONNECTOR
BA	Flying leads
BB	BA with ground wire
BC	BA with light
BD	BA with light and ground wire
BE	BA with suppression diode
BF	BA with suppression diode and ground wire
BG	BA with suppression diode and light
BH	BA with suppression diode, light and ground wire
BN	BA with suppression diode and blocking diode
BP	BA with suppression diode, blocking diode and ground wire
BR	BA with suppression diode, blocking diode and light
BS	BA with suppression diode, blocking diode, light and ground wire
BT	BA with light
BU	BA with light and ground wire
BV	BA with suppression diode and light
BW	BA with suppression diode, light and ground wire
BX	BA with suppression diode, blocking diode and light
BY	BA with suppression diode, blocking diode, light and ground wire

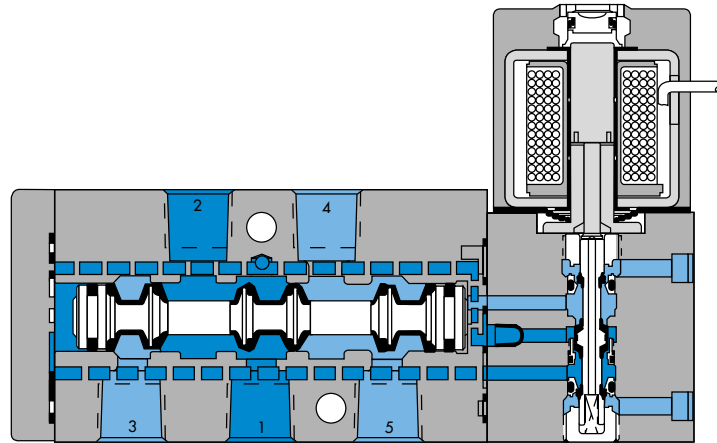
-G XX X - 1 XX	PLUG-IN CONNECTOR
KA	Mini connector with flying leads
KB	KA with ground wire
KE	KA with suppression diode
KF	KA with suppression diode and ground wire
KJ	Mini connector for KA option
KM	Mini connector for KB option
KN	KA with suppression diode and blocking diode
KP	KA with suppression diode, blocking diode and ground wire
KT	KA with light
KU	KA with light and ground wire
KV	KA with suppression diode and light
KW	KA with suppression diode, light and ground wire
KX	KA with suppression diode, blocking diode and light
KY	KA with suppression diode, blocking diode, light and ground wire

Individual mounting

inline	
--------	--

Circuit bar mounting

cylinder ports in base		cylinder ports in valve
---------------------------	--	----------------------------



Function	Port size	Flow [Max]	Individual mounting
5/2 - 5/3	G1/8" - G1/4"	1000 NI/min	inline

OPERATIONAL BENEFITS

1. The 4-way pilot develops maximum shifting forces both ways.
2. Memory spring available.
3. Balanced spool, immune to variations of pressure, also provides high flow.
4. Short stroke with high flow.
5. Bonded spool with minimum friction, shifting in a glass-like finished bore.
6. Pilot with balanced poppet, high flow, short and consistent response times.
7. Wiping effect eliminates sticking.
8. Long service life.



HOW TO ORDER

Reset

xxxx-xxx-DM-Dxxx-xxx

SINGLE PRESSURE VALVES

Port size	Pilot air	5/2 Single operator	5/2 Double operator	5/3 Closed centre	5/3 Open centre	5/3 Pressure centre
G1/8"	Internal	<input type="radio"/> 411A-COA-DM-Dxxx-xxx	<input type="radio"/> 421A-COA-DM-Dxxx-xxx	<input type="radio"/> 451A-COA-DM-Dxxx-xxx	<input type="radio"/> 461A-COA-DM-Dxxx-xxx	<input type="radio"/> 471A-COA-DM-Dxxx-xxx
G1/4"	Internal	<input type="radio"/> 411A-DOA-DM-Dxxx-xxx	<input type="radio"/> 421A-DOA-DM-Dxxx-xxx	<input type="radio"/> 451A-DOA-DM-Dxxx-xxx	<input type="radio"/> 461A-DOA-DM-Dxxx-xxx	<input type="radio"/> 471A-DOA-DM-Dxxx-xxx
G1/8"	External	<input type="radio"/> 411A-COB-DM-Dxxx-xxx	<input type="radio"/> 421A-COB-DM-Dxxx-xxx	<input type="radio"/> 451A-COB-DM-Dxxx-xxx	<input type="radio"/> 461A-COB-DM-Dxxx-xxx	<input type="radio"/> 471A-COB-DM-Dxxx-xxx
G1/4"	External	<input type="radio"/> 411A-DOB-DM-Dxxx-xxx	<input type="radio"/> 421A-DOB-DM-Dxxx-xxx	<input type="radio"/> 451A-DOB-DM-Dxxx-xxx	<input type="radio"/> 461A-DOB-DM-Dxxx-xxx	<input type="radio"/> 471A-DOB-DM-Dxxx-xxx

DUAL PRESSURE VALVES

Port size	Pilot air	5/2 Single operator	5/2 Double operator	5/3 Closed centre	5/3 Open centre	5/3 Pressure centre
G1/8"	Internal	<input type="radio"/> 431A-COA-DM-Dxxx-xxx	<input type="radio"/> 441A-COA-DM-Dxxx-xxx			<input type="radio"/> 481A-COA-DM-Dxxx-xxx
G1/4"	Internal	<input type="radio"/> 431A-DOA-DM-Dxxx-xxx	<input type="radio"/> 441A-DOA-DM-Dxxx-xxx	Not available	Not available	<input type="radio"/> 481A-DOA-DM-Dxxx-xxx
G1/8"	External	<input type="radio"/> 431A-COB-DM-Dxxx-xxx	<input type="radio"/> 441A-COB-DM-Dxxx-xxx	Not available	Not available	<input type="radio"/> 481A-COB-DM-Dxxx-xxx
G1/4"	External	<input type="radio"/> 431A-DOB-DM-Dxxx-xxx	<input type="radio"/> 441A-DOB-DM-Dxxx-xxx	Not available	Not available	<input type="radio"/> 481A-DOB-DM-Dxxx-xxx

SOLENOID OPERATOR ➤

D **XX X- X XX**

XX	Voltage	X	Wire length	X	Manual operator	XX	Electrical connection
<input type="radio"/> JB	220V~/50HZ	<input type="radio"/> A	45 cm (Flying leads)	<input type="radio"/> 1	Non-locking	<input type="radio"/> KA	Square connector
<input type="radio"/> JA	110V~/50HZ	<input type="radio"/> J	Connector	<input type="radio"/> 2	Locking	<input type="radio"/> KD	Square connector with light
<input type="radio"/> JC	24V~/50HZ	<input type="radio"/> x	Other Options	<input type="radio"/> x	Other Options	<input type="radio"/> JB	Rectangular connector
<input type="radio"/> FB	24V=/1,8W					<input type="radio"/> JD	Rectangular connector with light
<input type="radio"/> DA	24V=/5,4W					<input type="radio"/> BA	Flying leads
<input type="radio"/> DF	24V=/12,7W					<input type="radio"/> xx	Other Options
<input type="radio"/> xx	Other Options						

OPTIONS

411A-COA-DM-Dxxx-xxx

431A-COA-DM-Dxxx-xxx

click for memory spring (replace by 4).

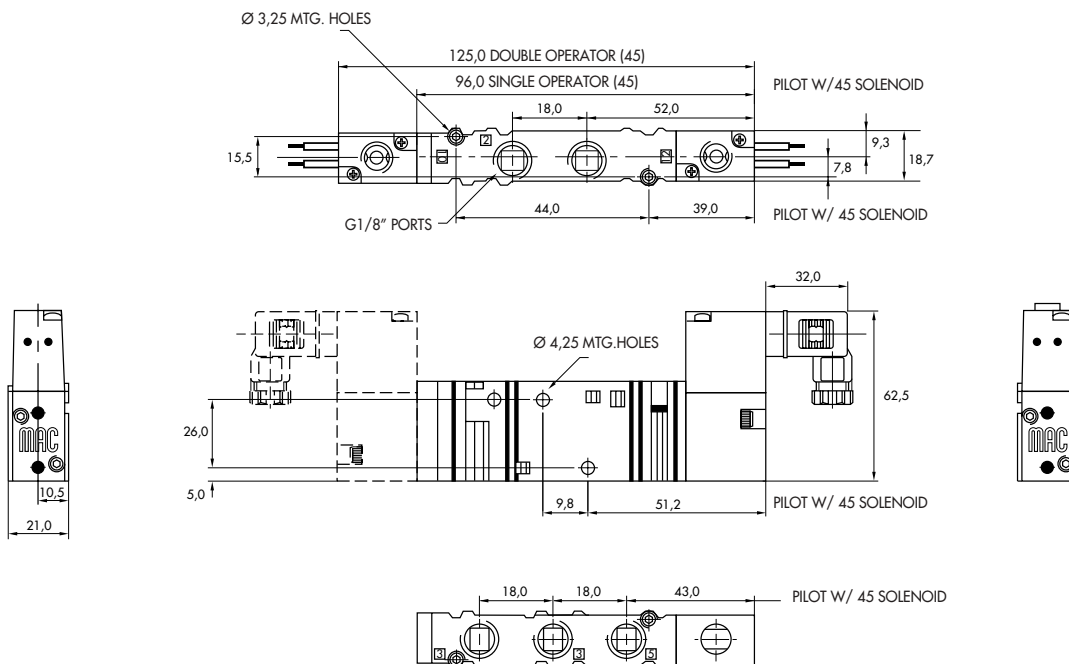
**TECHNICAL
DATA**

Fluid :	Compressed air, vacuum, inert gases
Pressure range :	Internal pilot : 1.4 to 8.5 bar External pilot : vacuum to 8.5 bar
Pilot pressure :	1.4 to 8.5 bar
Lubrication :	Not required, if used select a medium aniline point lubricant (between 80°C and 100°C)
Filtration :	40 µ
Temperature range :	-18°C to +50°C
Orifice :	6.2 mm
Flow (at 6 bar, ΔP=1 bar) :	1000 Nl/min (C _v 1.0)
Leak rate :	50 cm ³ /min
Coil :	Epoxy encapsulated - class A wires - 100% ED (specify mod 0449)
Voltage range :	-15% to +10% of nominal voltage
Protection :	IP 65
Power :	~ Inrush : 10.9 VA Holding : 7.7 VA = 1.8 to 12.7 W
Response times :	24 V=5.4 W Energize : 7.3 ms De-energize : 5.3ms 50Hz/6 W Energize : 8-12 ms De-energize : 7-11 ms

Spare parts : • Pilot valve : DM-DXXX-XXX, including mounting screws 35043 and seal 16524.

Options : • NPTF threads.

DIMENSIONS



Function	Port size	Flow [Max]	Circuit bar mounting
5/2 - 5/3	G1/8" - G1/4"	800 NI/min	cylinder ports in base

OPERATIONAL BENEFITS

1. The 4-way pilot develops maximum shifting forces both ways.
2. Memory spring available.
3. Balanced spool, immune to variations of pressure, also provides high flow.
4. Short stroke with high flow.
5. Bonded spool with minimum friction, shifting in a glass-like finished bore.
6. Pilot with balanced poppet, high flow, short and consistent response times.
7. Wiping effect eliminates sticking.
8. Long service life.



HOW TO ORDER

Reset

xxxx-xxx-DM-Dxxx-xxx

HOW TO ORDER VALVE FOR CIRCUIT BAR MOUNTING

Pilot air	5/2 Single operator	5/2 Double operator	5/3 Closed centre	5/3 Open centre	5/3 Pressure centre
Internal	<input type="radio"/> 413A-OOA-DM-Dxxx-xxx	<input type="radio"/> 423A-OOA-DM-Dxxx-xxx	<input type="radio"/> 453A-OOA-DM-Dxxx-xxx	<input type="radio"/> 463A-OOA-DM-Dxxx-xxx	<input type="radio"/> 473A-OOA-DM-Dxxx-xxx

SOLENOID OPERATOR ▶

D **XX X- X XX**

XX Voltage	X Wire length	X Manual operator	XX Electrical connection
<input type="radio"/> JB 220V~/50HZ	<input type="radio"/> A 45 cm (Flying leads)	<input type="radio"/> 1 Non-locking	<input type="radio"/> KA Square connector
<input type="radio"/> JA 110V~/50HZ	<input type="radio"/> J Connector	<input type="radio"/> 2 Locking	<input type="radio"/> KD Square connector with light
<input type="radio"/> JC 24V~/50HZ	<input type="radio"/> x Other Options	<input type="radio"/> x Other Options	<input type="radio"/> JB Rectangular connector
<input type="radio"/> FB 24V=/1,8W			<input type="radio"/> JD Rectangular connector with light
<input type="radio"/> DA 24V=/5,4W			<input type="radio"/> BA Flying leads
<input type="radio"/> DF 24V=/12,7W			<input type="radio"/> xx Other Options
<input type="radio"/> xx Other Options			

HOW TO ORDER CIRCUIT BAR (BOTTOM CYLINDER PORTS) **

CBM404A-xxxxx-xx

Port size	Pilot air	Spacing standard 19,5 mm		Spacing 26 mm (Rectangular connector)	
		w/o flow regulators	w/ flow regulators	w/o flow regulators	w/ flow regulators
G1/8"	Internal	<input type="radio"/> CBM404A-00AAB-xx	<input type="radio"/> CBM404A-00BAB-xx	<input type="radio"/> CBM404A-02AAB-xx	<input type="radio"/> CBM404A-02BAB-xx
G1/4"	Internal	<input type="radio"/> CBM404A-00AAE-xx	<input type="radio"/> CBM404A-00BAE-xx	<input type="radio"/> CBM404A-02AAE-xx	<input type="radio"/> CBM404A-02BAE-xx

** Other options available. Consult factory.

Number of stations (03=3 stations)

OPTIONS

413A-COA-DM-Dxxx-xxx

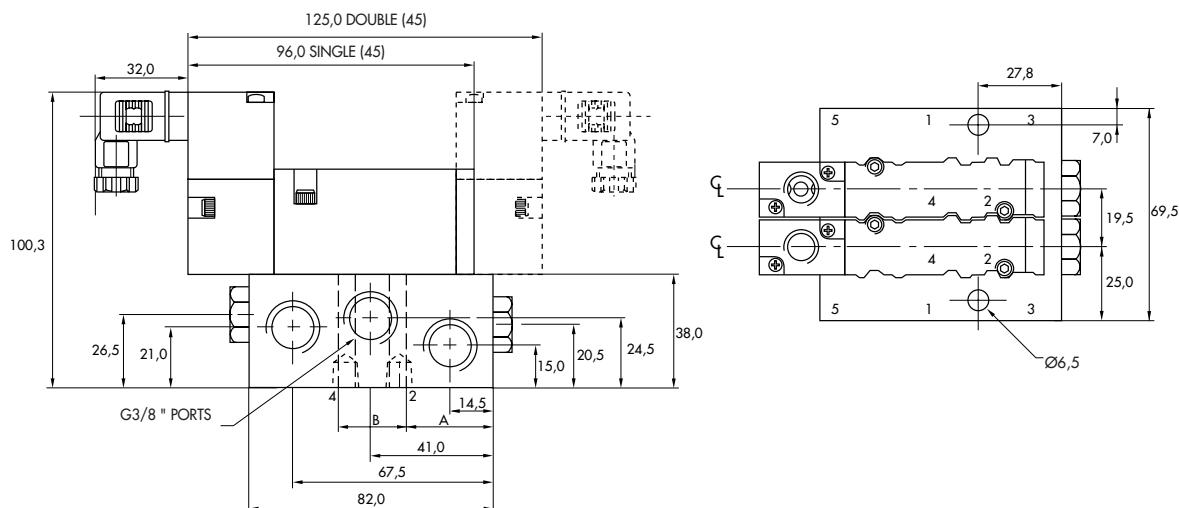
click for memory spring (replace by 6).

**TECHNICAL
DATA**

Fluid :	Compressed air, vacuum, inert gases		
Pressure range :	Internal pilot : 1.4 to 8.5 bar External pilot : vacuum to 8.5 bar		
Pilot pressure :	1.4 to 8.5 bar		
Lubrication :	Not required, if used select a medium aniline point lubricant (between 80°C and 100°C)		
Filtration :	40 µ		
Temperature range :	-18°C to +50°C		
Orifice :	6.2 mm		
Flow (at 6 bar, ΔP=1 bar) :	800 NI/min (C _v 0.8)		
Leak rate :	50 cm ³ /min		
Coil :	Epoxy encapsulated - class A wires - 100% ED (specify mod 0449)		
Voltage range :	-15% to +10% of nominal voltage		
Protection :	IP 65		
Power :	~ Inrush : 10.9 VA Holding : 7.7 VA = 1.8 to 12.7 W		
Response times :	24 V=5.4 W	Energize : 7.3 ms	De-energize : 5.3ms
	50Hz/6 W	Energize : 8-12 ms	De-energize : 7-11 ms

- Spare parts : • Pilot valve : DM-DXXX-XXX, including mounting screws 35043 and seal 16524.
- Accessories : • Blanking plate : M-04002. • Flow regulator : (x2) : N-04001. • Seal : 16525. • Mounting screw (x2) : 35043.
- Options : • NPTF threads. • Isolation of inlet and/or exhaust. • Individual external pilot.

DIMENSIONS



Port size	A	B
G1/8"	31,5	19,0
G1/4"	32,0	20,0

Function	Port size	Flow [Max]	Circuit bar mounting
5/2 - 5/3	G1/8" - G1/4"	800 NI/min	cylinder ports in base

OPERATIONAL BENEFITS

1. The 4-way pilot develops maximum shifting forces both ways.
2. Memory spring available.
3. Balanced spool, immune to variations of pressure, also provides high flow.
4. Short stroke with high flow.
5. Bonded spool with minimum friction, shifting in a glass-like finished bore.
6. Pilot with balanced poppet, high flow, short and consistent response times.
7. Wiping effect eliminates sticking.
8. Long service life.



HOW TO ORDER

Reset

xxxx-xxx-DM-Dxxx-xxx

HOW TO ORDER VALVE FOR CIRCUIT BAR MOUNTING

Pilot air	5/2 Single operator	5/2 Double operator	5/3 Closed centre	5/3 Open centre	5/3 Pressure centre
Internal	<input type="radio"/> 413A-OOA-DM-Dxxx-xxx	<input type="radio"/> 423A-OOA-DM-Dxxx-xxx	<input type="radio"/> 453A-OOA-DM-Dxxx-xxx	<input type="radio"/> 463A-OOA-DM-Dxxx-xxx	<input type="radio"/> 473A-OOA-DM-Dxxx-xxx
Common External	<input type="radio"/> 413A-OOD-DM-Dxxx-xxx	<input type="radio"/> 423A-OOD-DM-Dxxx-xxx	<input type="radio"/> 453A-OOD-DM-Dxxx-xxx	<input type="radio"/> 463A-OOD-DM-Dxxx-xxx	<input type="radio"/> 473A-OOD-DM-Dxxx-xxx

SOLENOID OPERATOR >

D **XX X- X XX'**

XX	Voltage	X	Wire length	X	Manual operator	XX	Electrical connection
<input type="radio"/> JB	220V~/50HZ	<input type="radio"/> A	45 cm (Flying leads)	<input type="radio"/> 1	Non-locking	<input type="radio"/> KA	Square connector
<input type="radio"/> JA	110V~/50HZ	<input type="radio"/> J	Connector	<input type="radio"/> 2	Locking	<input type="radio"/> KD	Square connector with light
<input type="radio"/> JC	24V~/50HZ	<input type="radio"/> x	Other Options	<input type="radio"/> x	Other Options	<input type="radio"/> JB	Rectangular connector
<input type="radio"/> FB	24V=/1,8W					<input type="radio"/> JD	Rectangular connector with light
<input type="radio"/> DA	24V=/5,4W					<input type="radio"/> BA	Flying leads
<input type="radio"/> DF	24V=/12,7W					<input type="radio"/> xx	Other Options
<input type="radio"/> xx	Other Options						

CBM405A-xxxxx-xx

HOW TO ORDER CIRCUIT BAR **

Port size	Pilot air	Spacing standard 19,5 mm	Spacing 26 mm (Rectangular connector)
G1/8"	Internal	<input type="radio"/> CBM405A-00AAB-xx	<input type="radio"/> CBM405A-02AAB-xx
	External comune	<input type="radio"/> CBM405A-00BAB-xx	<input type="radio"/> CBM405A-02BAB-xx
G1/4"	Internal	<input type="radio"/> CBM405A-00AAE-xx	<input type="radio"/> CBM405A-02AAE-xx
	External comune	<input type="radio"/> CBM405A-00BAE-xx	<input type="radio"/> CBM405A-02BAE-xx

** Other options available. Consult factory.

Number of stations (03=3 stations)

OPTIONS

413A-OOA-DM-Dxxx-xxx

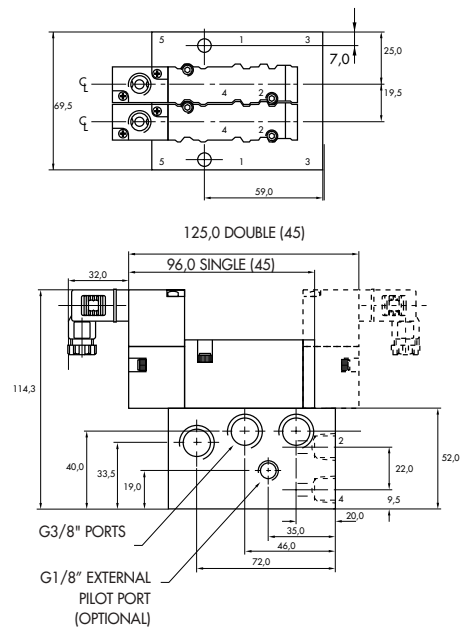
click for memory spring (replace by 6).

**TECHNICAL
DATA**

Fluid :	Compressed air, vacuum, inert gases
Pressure range :	Internal pilot : 1.4 to 8.5 bar External pilot : vacuum to 8.5 bar
Pilot pressure :	1.4 to 8.5 bar
Lubrication :	Not required, if used select a medium aniline point lubricant (between 80°C and 100°C)
Filtration :	40 µ
Temperature range :	-18°C to +50°C
Orifice :	6.2 mm
Flow (at 6 bar, ΔP=1 bar) :	800 NI/min (C _v 0.8)
Leak rate :	50 cm ³ /min
Coil :	Epoxy encapsulated - class A wires - 100% ED (specify mod 0449)
Voltage range :	-15% to +10% of nominal voltage
Protection :	IP 65
Power :	~ Inrush : 10.9 VA Holding : 7.7 VA = 1.8 to 12.7 W
Response times :	24 V=5.4 W Energize : 7.3 ms De-energize : 5.3ms 50Hz/6 W Energize : 8-12 ms De-energize : 7-11 ms

- Spare parts : • Pilot valve : DM-DXXX-XXX, including mounting screws 35043 and seal 16524.
- Accessories : • Blanking plate : M-04002. • Seal : 16525. • Mounting screw (x2) : 35043.
- Options : • NPTF threads. • Isolation of inlet and/or exhaust. • Individual external pilot.

DIMENSIONS



Function	Port size	Flow [Max]	Circuit bar mounting
5/2 - 5/3	G1/8" - G1/4"	1000 NI/min	cylinder ports in valve

OPERATIONAL BENEFITS

1. The 4-way pilot develops maximum shifting forces both ways.
2. Memory spring available.
3. Balanced spool, immune to variations of pressure, also provides high flow.
4. Short stroke with high flow.
5. Bonded spool with minimum friction, shifting in a glass-like finished bore.
6. Pilot with balanced poppet, high flow, short and consistent response times.
7. Wiping effect eliminates sticking.
8. Long service life.



HOW TO ORDER

Reset

xxxx-xxx-DM-Dxxx-xxx

HOW TO ORDER VALVE FOR CIRCUIT BAR MOUNTING

Port size	Pilot air	5/2 Single operator	5/2 Double operator	5/3 Closed centre	5/3 Open centre	5/3 Pressure centre
G1/8"	Internal	<input type="radio"/> 411A-COA-DM-Dxxx-xxx	<input type="radio"/> 421A-COA-DM-Dxxx-xxx	<input type="radio"/> 451A-COA-DM-Dxxx-xxx	<input type="radio"/> 461A-COA-DM-Dxxx-xxx	<input type="radio"/> 471A-COA-DM-Dxxx-xxx
G1/4"		<input type="radio"/> 411A-DOA-DM-Dxxx-xxx	<input type="radio"/> 421A-DOA-DM-Dxxx-xxx	<input type="radio"/> 451A-DOA-DM-Dxxx-xxx	<input type="radio"/> 461A-DOA-DM-Dxxx-xxx	<input type="radio"/> 471A-DOA-DM-Dxxx-xxx
G1/8"	Common	<input type="radio"/> 411A-COD-DM-Dxxx-xxx	<input type="radio"/> 421A-COD-DM-Dxxx-xxx	<input type="radio"/> 451A-COD-DM-Dxxx-xxx	<input type="radio"/> 461A-COD-DM-Dxxx-xxx	<input type="radio"/> 471A-COD-DM-Dxxx-xxx
G1/4"	External	<input type="radio"/> 411A-DOD-DM-Dxxx-xxx	<input type="radio"/> 421A-DOD-DM-Dxxx-xxx	<input type="radio"/> 451A-DOD-DM-Dxxx-xxx	<input type="radio"/> 461A-DOD-DM-Dxxx-xxx	<input type="radio"/> 471A-DOD-DM-Dxxx-xxx

SOLENOID OPERATOR >

D **XX X- X XX***

XX	Voltage	X	Wire length	X	Manual operator	XX	Electrical connection
<input type="radio"/> JB	220V~/50HZ	<input type="radio"/> A	45 cm (Flying leads)	<input type="radio"/> 1	Non-locking	<input type="radio"/> KA	Square connector
<input type="radio"/> JA	110V~/50HZ	<input type="radio"/> J	Connector	<input type="radio"/> 2	Locking	<input type="radio"/> KD	Square connector with light
<input type="radio"/> JC	24V~/50HZ	<input type="radio"/> x	Other Options	<input type="radio"/> x	Other Options	<input type="radio"/> JB	Rectangular connector
<input type="radio"/> FB	24V=/1,8W					<input type="radio"/> JD	Rectangular connector with light
<input type="radio"/> DA	24V=/5,4W					<input type="radio"/> BA	Flying leads
<input type="radio"/> DF	24V=/12,7W					<input type="radio"/> xx	Other Options
<input type="radio"/> xx	Other Options						

HOW TO ORDER CIRCUIT BAR **

CBM403A-xxxxx-xx

Port size	Pilot air	Spacing standard 19,5 mm		Spacing 26 mm (Rectangular connector)	
		w/o flow regulators	w/ flow regulators	w/o flow regulators	w/ flow regulators
G3/8"	Internal	<input type="radio"/> CBM403A-00AAB-xx	<input type="radio"/> CBM403A-00BAB-xx	<input type="radio"/> CBM403A-02AAB-xx	<input type="radio"/> CBM403A-02BAB-xx
	External comune	<input type="radio"/> CBM403A-00CAB-xx	<input type="radio"/> CBM403A-00DAB-xx	<input type="radio"/> CBM403A-02CAB-xx	<input type="radio"/> CBM403A-02DAB-xx

** Other options available. Consult factory.

Number of stations (03=3 stations)

OPTIONS

411A-COA-DM-Dxxx-xxx

click for memory spring (replace by 6).

**TECHNICAL
DATA**

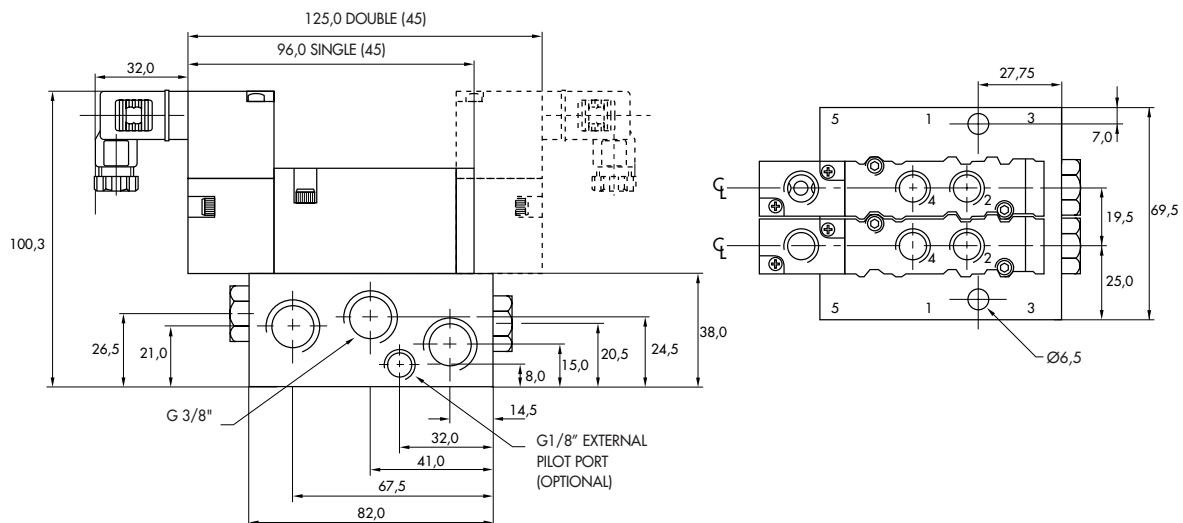
Fluid :	Compressed air, vacuum, inert gases
Pressure range :	Internal pilot : 1.4 to 8.5 bar External pilot : vacuum to 8.5 bar
Pilot pressure :	1.4 to 8.5 bar
Lubrication :	Not required, if used select a medium aniline point lubricant (between 80°C and 100°C)
Filtration :	40 µ
Temperature range :	-18°C to +50°C
Orifice :	6.2 mm
Flow (at 6 bar, ΔP=1bar) :	1000 Nl/min (C _v 1.0)
Leak rate :	50 cm ³ /min
Coil :	Epoxy encapsulated - class A wires - 100% ED (specify mod 0449)
Voltage range :	-15% to +10% of nominal voltage
Protection :	IP 65
Power :	~ Inrush : 10.9 VA Holding : 7.7 VA = 1.8 to 12.7 W
Response times :	24 V=5.4 W Energize : 7.3 ms De-energize : 5.3 ms 50Hz/6 W Energize : 8-12 ms De-energize : 7-11 ms

Spare parts : • Pilot valve : DM-DXXX-XXX, including mounting screws 35043 and seal 16524.

Accessories : • Blanking plate : M-04001. • Flow regulator (x2) : N-04001. • Seal : 17013-01 (x2), 17015-01(x1).
• Mounting screw (x2) : 35043.

Options : • NPTF threads. • Isolation of inlet and/or exhaust. • Individual external pilot.

DIMENSIONS





0 p t i o n s

Codification table for voltages / Wire length / Manual operator / Electrical connection

VALVE CODE >

DM- DXX X - X XX
1 2 3 4

OPTIONS AVAILABLE FOR

- pilot operated valves 400 & 52 Series

1. VOLTAGE

- D XX X - X XX	VOLTAGE
DA	24 V=/5,4 W
DB	12 V=/5,4 W
DC	12 V=/7,5 W
DD	24 V=/7,3 W
DE	12 V=/12,7 W
DF	24 V=/12,7 W
DK	110 V=/4,7 W
DJ	28 V=/5,2 W
DL	64 V=/6 W
DM	36 V=/5,3 W
DN	6 V=/6 W
DR	90 V=/6,6 W
DS	110 V=/7,3 W
DT	75 V=/5,6 W
DP	48 V=/5,8 W
FA	12 V=/1,8 W
FB	24 V=/1,8 W
FE	12 V=/2,4 W
FF	24 V=/2,4 W
JA	120V~/60 Hz, 110V~/50 Hz (2,9 W)
JB	240 V~/60 Hz, 220V~/50 Hz (2,9 W)
JC	24 V~/60 Hz, 24V~/50 Hz (3,7 W)
JD	100 V~/60 Hz, 100V~/50 Hz, 110V~/60 Hz (3,9 W)

2. WIRE LENGTH

- D XX X - X XX	WIRE LENGTH
A	45 cm - 18"
B	60 cm - 24"
C	90 cm - 36"
D	120 cm - 48"
E	180 cm - 72"
F	240 cm - 96"
J	For external plug-in connector

3. MANUAL OPERATOR

- D XX X - X XX	MANUAL OPERATOR
0	No operator
1	Non-locking recessed
2	Locking recessed
3	Non-locking extended
4	Locking extended

4. ELECTRICAL CONNECTION

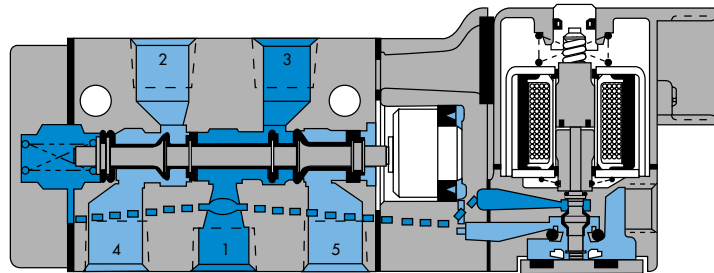
- D XX X - X XX	ELECTRICAL CONNECTION
BA	Flying leads
BK	BA with protection diode
BL	BA with protection varistor
CA	1/2" NPS conduit
JB	Rectangular connector
JD	Rectangular connector with light
JM	Rectangular connector, male only
KA	Square connector
KB	Square connector with protection diode
KC	Square connector with protection varistor
KD	Square connector with light
KE	Square connector with light and protection diode
KF	Square connector with light and protection varistor
KJ	Square connector (male only)
KK	Square connector with protection diode (male only)
KL	Square connector with protection varistor (male only)
TA	Dual tabs
TB	TA with protection diode
TD	TA with light
TE	TA with light and protection diode
TJ	Dual tabs (male only)
TK	TJ with protection diode
TM	TJ with light
TN	TJ with light and protection diode

Individual mounting

inline	
--------	--

Circuit bar mounting

	cylinder ports in valve	with shut-off valve
--	-------------------------	---------------------



Function	Port size	Flow [Max]	Individual mounting
5/2 - 5/3	G1/4"	1400 NI/min	inline

OPERATIONAL BENEFITS

- Balanced spool, immune to variations of pressure.
- Short stroke with high flow.
- The piston (booster) provides maximum shifting forces.
- Powerful return force thanks to the combination of mechanical and air springs.
- Bonded spool with minimum friction, shifting in a glass-like finished bore.
- Wiping effect eliminates sticking.
- Pilot valve with balanced poppet, high flow, short and consistent response times.
- Long service life.



HOW TO ORDER

Reset

xxxx-PM-xyzz-xxx

Port size	Pilot air	5/2 Single operator	5/2 Double operator	5/3 Closed centre	5/3 Open centre	5/3 Pressure centre
G1/4"	Internal	<input type="radio"/> 811C-PM-xyzz-155	<input type="radio"/> 821C-PM-xyzz-155	<input type="radio"/> 825C-PM-xyzz-555	<input type="radio"/> 825C-PM-xyzz-655	<input type="radio"/> 825C-PM-xyzz-855
	External	<input type="radio"/> 812C-PM-xyzz-115	<input type="radio"/> 822C-PM-xyzz-115	<input type="radio"/> 826C-PM-xyzz-515	<input type="radio"/> 826C-PM-xyzz-615	<input type="radio"/> 826C-PM-xyzz-815

SOLENOID OPERATOR >

XX Y ZZ'

Voltage	Manual operator	Electrical connection
<input type="radio"/> 11 110V~/50Hz	<input type="radio"/> 1 Non-locking	<input type="radio"/> JB Rectangular connector
<input type="radio"/> 12 220V~/50Hz	<input type="radio"/> 2 Locking	<input type="radio"/> JD Rectangular connector with light
<input type="radio"/> 22 24V~/50Hz	<input type="radio"/> y Other Options	<input type="radio"/> JA Square connector
<input type="radio"/> 59 24V=/2,5W		<input type="radio"/> JC Square connector with light
<input type="radio"/> 87 24V=/17,1W		<input type="radio"/> BA Flying leads (45 cm)
<input type="radio"/> 61 24V=/8,5W		<input type="radio"/> zz Other Options
<input type="radio"/> xx Other Options		

**TECHNICAL
DATA**

Fluid :	Compressed air, vacuum, inert gases	
Pressure range :	Internal pilot : single operator and 3 positions : 1.4 to 10 bar	double operator : 0.7 to 10 bar
	External pilot : vacuum to 14 bar	
Pilot pressure :	Single operator and 3 positions : 1.4 to 10 bar Double operator : 0.7 to 10 bar	
Lubrication :	Not required, if used select a medium aniline point lubricant (between 80°C and 100°C)	
Filtration :	40 µ	
Temperature range :	-18°C to +50°C	
Orifice :	7 mm	
Flow (at 6 bar, ΔP=1 bar) :	G 1/4" : 1400 NI/min (C _v 1.4)	
Leak rate :	50 cm ³ /min	
Coil :	Epoxy encapsulated - class A wires - 100% ED (specify mod 0449)	
Voltage range :	-15% to +10% of nominal voltage	
Protection :	IP 65	
Power :	~ Inrush : 14.8 VA	Holding : 10.9 VA
	= 1 to 17.1 W	
Response times :	24 V=8.5 W	Energize : 8 ms De-energize : 10ms
	50Hz/6 W	Energize : 5-11 ms De-energize : 9-16 ms

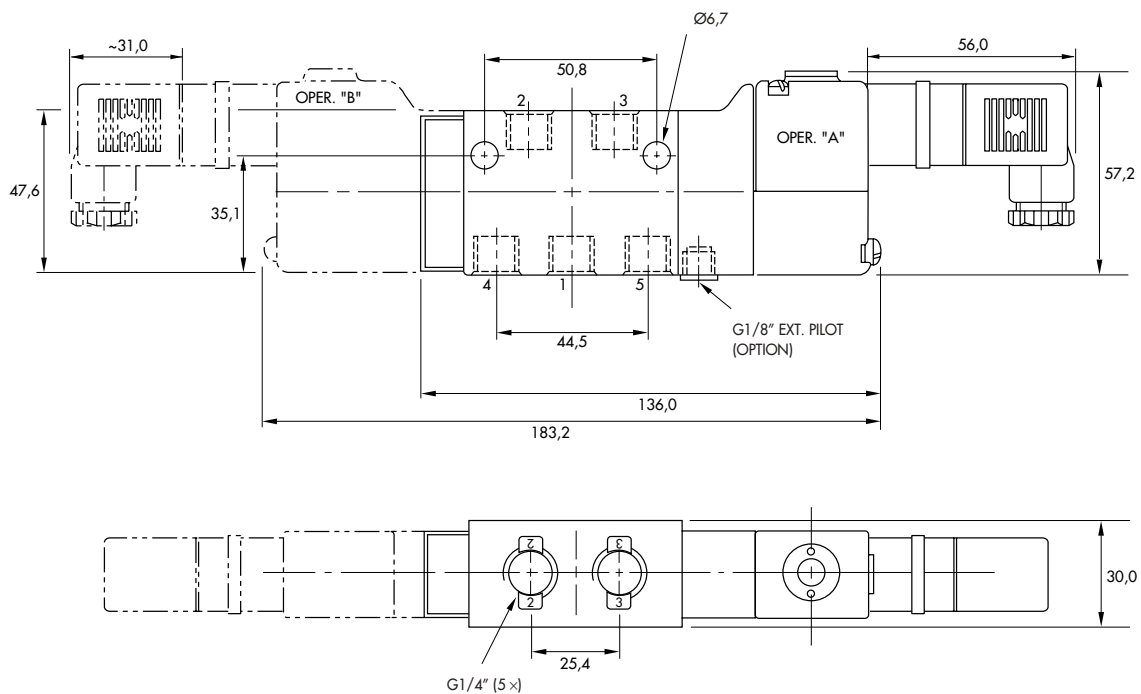
Spare parts :

- Solenoid operator (power ≥ 4 W) : D1-XXYZZ1, including mounting screws 35206 and seal 16234.
- Pilot valve : PME-XXYZZ, including seal 16337. • Mounting screw pilot to main valve : 34364.

Options :

- NPTF threads. • NAMUR interface . • Explosion-proof model.

DIMENSIONS



Function	Port size	Flow [Max]	Circuit bar mounting
5/2 - 5/3	G1/4"	1300 NI/min	cylinder ports in valve

OPERATIONAL BENEFITS

- Balanced spool, immune to variations of pressure.
- Short stroke with high flow.
- The piston (booster) provides maximum shifting forces.
- Powerful return force thanks to the combination of mechanical and air springs.
- Bonded spool with minimum friction, shifting in a glass-like finished bore.
- Wiping effect eliminates sticking.
- Pilot valve with balanced poppet, high flow, short and consistent response times.
- Long service life.



HOW TO ORDER

Reset

xxxx-PM-xyzz-xxx

HOW TO ORDER VALVE FOR CIRCUIT BAR MOUNTING

Port size	5/2 Single operator	5/2 Double operator	5/3 Closed centre	5/3 Open centre	5/3 Pressure centre
G1/4"	<input type="radio"/> 811C-PM-xyzz-175	<input type="radio"/> 821C-PM-xyzz-175	<input type="radio"/> 825C-PM-xyzz-575	<input type="radio"/> 825C-PM-xyzz-675	<input type="radio"/> 825C-PM-xyzz-875

SOLENOID OPERATOR >

XX Y ZZ'

Voltage	Manual operator	Electrical connection
<input type="radio"/> 11 110V~/50Hz	<input type="radio"/> 1 Non-locking	<input type="radio"/> JB Rectangular connector
<input type="radio"/> 12 220V~/50Hz	<input type="radio"/> 2 Locking	<input type="radio"/> JD Rectangular connector with light
<input type="radio"/> 22 24V~/50Hz	<input type="radio"/> y Other Options	<input type="radio"/> BA Flying leads (45 cm)
<input type="radio"/> 59 24V=/2,5W		<input type="radio"/> zz Other Options
<input type="radio"/> 87 24V=/17,1W		
<input type="radio"/> 61 24V=/8,5W		
<input type="radio"/> xx Other Options		

EBM800A-xxxx-xx

HOW TO ORDER CIRCUIT BAR**

Port size (Spacing 31 mm)	Standard circuit bar	Circuit bar with flow regulators (2 per station)
G3/8"	<input type="radio"/> EBM800A-001B-xx	<input type="radio"/> EBM800A-002B-xx

** Other options available. Consult factory.

Number of stations (03=3 stations)

Note click for valves mounted on base at the factory (add - 9 to the model number).

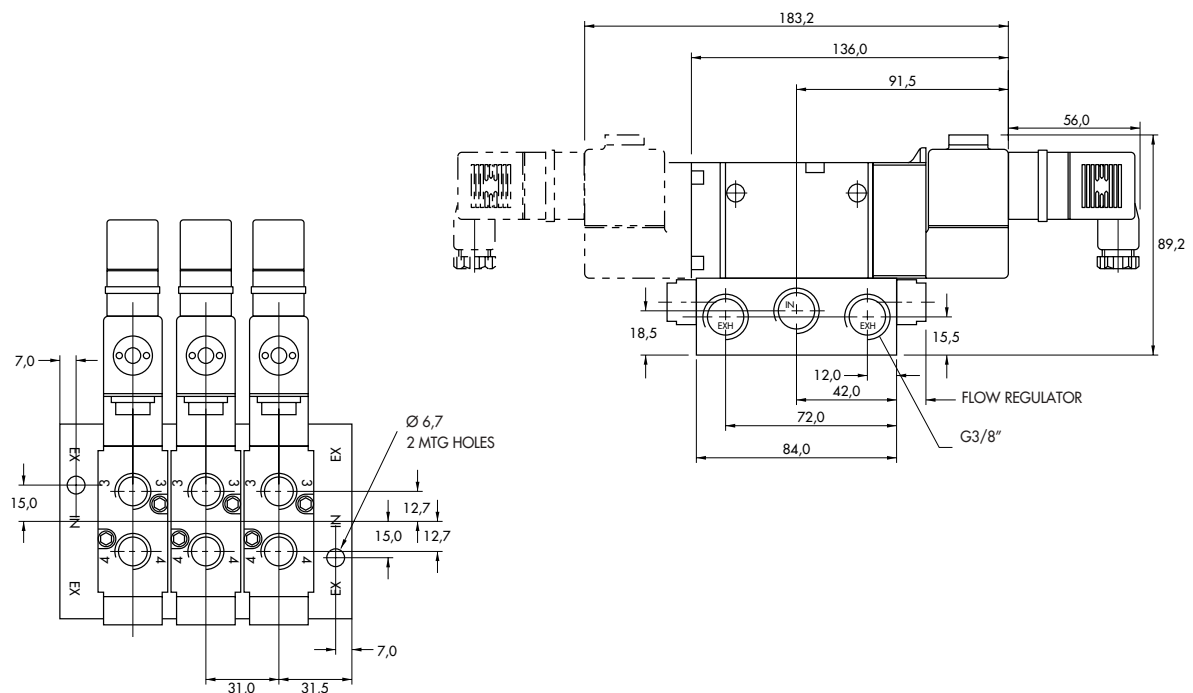
**TECHNICAL
DATA**

Fluid :	Compressed air, vacuum, inert gases	
Pressure range :	Internal pilot : single operator and 3 positions : 1.4 to 10 bar	double operator : 0.7 to 10 bar
	External pilot : vacuum to 14 bar	
Pilot pressure :	Single operator and 3 positions : 1.4 to 10 bar	Double operator : 0.7 to 10 bar
Lubrication :	Not required, if used select a medium aniline point lubricant (between 80°C and 100°C)	
Filtration :	40 µ	
Temperature range :	-18°C to +50°C	
Orifice :	7 mm	
Flow (at 6 bar, ΔP=1 bar) :	G 1/4" : 1300 NI/min (C _v 1.3)	
Leak rate :	50 cm ³ /min	
Coil :	Epoxy encapsulated - class A wires - 100% ED (specify mod 0449)	
Voltage range :	-15% to +10% of nominal voltage	
Protection :	IP 65	
Power :	~ Inrush : 14.8 VA	Holding : 10.9 VA
	= 1 to 17.1 W	
Response times :	24 V=8.5 W	Energize : 8 ms De-energize : 10ms
	50Hz/6 W	Energize : 5-11 ms De-energize : 9-16 ms

Spare parts : • Solenoid operator (power ≥ 4 W) : D1-XXYZZ1, including mounting screws 35206 and seal 16234. • Pilot valve : PME-XXYZZ, including seal 16337. • Mounting screw pilot to main valve : 34364. • Blanking plate : M-08008.

Options : • NPTF threads. • Isolation of inlet and/or exhaust. • Explosion-proof model.

DIMENSIONS



Function	Port size	Flow [Max]	Circuit bar mounting
5/2 - 5/3	G1/4"	1300 NI/min	with shut-off valve

OPERATIONAL BENEFITS

- Balanced spool, immune to variations of pressure.
- Short stroke with high flow.
- The piston (booster) provides maximum shifting forces.
- Powerful return force thanks to the combination of mechanical and air springs.
- Bonded spool with minimum friction, shifting in a glass-like finished bore.
- Wiping effect eliminates sticking.
- Pilot valve with balanced poppet, high flow, short and consistent response times.
- Long service life.



HOW TO ORDER

Reset

xxxx-PM-xyzz-xxx

HOW TO ORDER VALVE FOR CIRCUIT BAR MOUNTING

Port size	5/2 Single operator	5/2 Double operator	5/3 Closed centre	5/3 Open centre	5/3 Pressure centre
G1/4"	<input type="radio"/> 811C-PM-xyzz-175	<input type="radio"/> 821C-PM-xyzz-175	<input type="radio"/> 825C-PM-xyzz-575	<input type="radio"/> 825C-PM-xyzz-675	<input type="radio"/> 825C-PM-xyzz-875

SOLENOID OPERATOR >

XX Y ZZ'

Voltage	Manual operator	Electrical connection
<input type="radio"/> 11 110V~/50Hz	<input type="radio"/> 1 Non-locking	<input type="radio"/> JB Rectangular connector
<input type="radio"/> 12 220V~/50Hz	<input type="radio"/> 2 Locking	<input type="radio"/> JD Rectangular connector with light
<input type="radio"/> 22 24V~/50Hz	<input type="radio"/> y Other Options	<input type="radio"/> BA Flying leads (45 cm)
<input type="radio"/> 59 24V=/2,5W		<input type="radio"/> zz Other Options
<input type="radio"/> 87 24V=/17,1W		
<input type="radio"/> 61 24V=/8,5W		
<input type="radio"/> xx Other Options		

EBI800A-xxxx-xx

HOW TO ORDER CIRCUIT BAR**

Port size (Spacing 31 mm)	w/o inlet shut-off valve	w/ inlet shut-off valve
G3/8"	<input type="radio"/> EBI800A-001B-xx	<input type="radio"/> EBI800A-002B-xx

** Other options available. Consult factory.

Number of stations (03=3 stations)

Note click for valves mounted on base at the factory (add - 9 to the model number).

**TECHNICAL
DATA**

Fluid :	Compressed air, vacuum, inert gases	
Pressure range :	Internal pilot : single operator and 3 positions : 1.4 to 10 bar	double operator : 0.7 to 10 bar
	External pilot : vacuum to 14 bar	
Pilot pressure :	Single operator and 3 positions : 1.4 to 10 bar	Double operator : 0.7 to 10 bar
Lubrication :	Not required, if used select a medium aniline point lubricant (between 80°C and 100°C)	
Filtration :	40 µ	
Temperature range :	-18°C to +50°C	
Orifice :	7 mm	
Flow (at 6 bar, ΔP=1bar) :	G 1/4" : 1300 NI/min (C _v 1.3)	
Leak rate :	50 cm ³ /min	
Coil :	Epoxy encapsulated - class A wires - 100% ED (specify mod 0449)	
Voltage range :	-15% to +10% of nominal voltage	
Protection :	IP 65	
Power :	~ Inrush : 14.8 VA	Holding : 10.9 VA
	= 1 to 17.1 W	
Response times :	24 V=8.5 W	Energize : 8 ms De-energize : 10ms
	50Hz/6 W	Energize : 5-11 ms De-energize : 9-16 ms

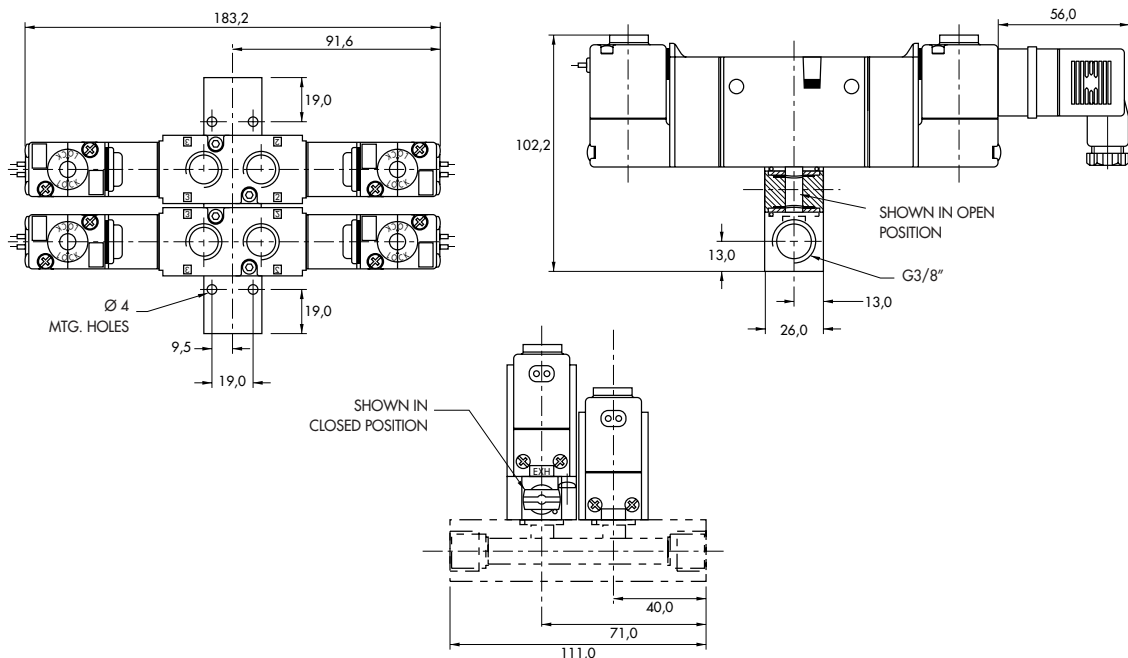
Spare parts :

- Solenoid operator (power ≥ 4 W) : D1-XXYZZ1, including mounting screws 35206 and seal 16234.
- Pilot valve : PME-XXYZZ, including seal 16337. • Mounting screw pilot to main valve : 34364. • Blanking plate : M-08011.
- Shut-off valve : M-08010.

Options :

- NPTF threads. • Isolation of inlet. • Explosion-proof model.

DIMENSIONS





Codification table for voltages / Manual operator / Electrical connection / Wire length

VALVE CODE >

-XX Y ZZ (-VV)
1 2 3 4

OPTIONS AVAILABLE FOR	OPTIONS AVAILABLE FOR
- valves type 100 Series - pilot valves "CNOMO"	- valves type 200 Series
- Pilot operated valves with pilots type 100 Series Series : 55 - 56 - 700 - 800 - 900 - 6200 - 6300 - 6500 - 6600 - 1300 - ISO 1 - ISO 2 - ISO 3.	- pilot operated valves with pilots type 200 Series Series : 200 - 57 - 58 - 59.
- Pilot operated valves with pilots "CNOMO" Series : ISO1 - ISO2 - ISO3	

1. VOLTAGE (type 100 Series)		1. VOLTAGE (type 200 Series)	
- XX Y ZZ	VOLTAGE	- XX Y ZZ	VOLTAGE
11	120 V~/60 Hz - 110 V~/50 Hz	11	120 V~/60 Hz - 110 V~/50 Hz - 24 V=
12	240 V~/60 Hz - 220 V~/50 Hz	12	240 V~/60 Hz - 220 V~/50 Hz
13	100 V~/60 Hz - 100 V~/50 Hz	13	100 V~/60 Hz - 100 V~/50 Hz
15	200 V~/60 Hz - 200 V~/50 Hz	14	200 V~/60 Hz - 200 V~/50 Hz
16	10 V~/60 Hz	20	6 V~/60 Hz
20	6 V~/60 Hz	21	12 V~/60 Hz
21	12 V~/50 Hz - 12 V~/60 Hz	22	24 V~/60 Hz - 24 V~/50 Hz
22	24 V~/60 Hz - 24 V~/50 Hz	23	32 V~/60 Hz - 32 V~/50 Hz
23	32 V~/60 Hz - 32 V~/50 Hz	24	48 V~/60 Hz - 42 V~/50 Hz
24	48 V~/60 Hz - 42 V~/50 Hz	25	240 V~/50 Hz
26	380 V~/50 Hz, 440 V~/50 Hz -440 V~/60 Hz, 480 V~/60 Hz-CLSF	26	480 V~/60 Hz - 440 V~/50 Hz
29	200 V~/60 Hz	27	127 V~/60 Hz
34	127 V~/50 Hz - 120 V~/50 Hz	28	415 V~/50 Hz
35	48 V~/50 Hz	29	200 V~/60 Hz
36	16 V~/60 Hz	30	380 V~/50 Hz
B1	24 V~/50 Hz	31	550 V~/60 Hz - 550 V~/50 Hz
50	24 V=/6 W	32	120 V~/60 Hz - 110 V~/50 Hz
51	24 V=/4 W	33	600 V~/60 Hz
54	12 V=/4 W	34	127 V~/50 Hz
55	12 V=/6 W	35	48 V~/50 Hz
57	12 V=/2,5 W	50	24 V=/6 W
59	24 V=/2,5 W	51	24 V=/4,5 W
60	12 V=/8,5 W	52	24 V=/2,5 W
61	24 V=/8,5 W	53	24 V=/1 W
64	6 V=/6 W	55	12 V=/6 W
65	32 V=/7 W	57	12 V=/2,5 W
66	48 V=/5,8 W	58	48 V=/2,5 W
67	64 V=/7,5 W	60	12 V=/9,5 W
68	120 V=/6,4 W	61	24 V=/8,5 W
69	220 V=/8,7 W - 250 V=/11,2 W CLSF	64	6 V=/8,5 W
75	90 V=/8,8 W CLSF	65	32 V=/10 W
76	100 V=/6,9 W CLSF	66	48 V=/11,5 W
84	125 V=/10,9 W CLSF	67	64 V=/10,5 W
87	24 V=/17,1 W CLSF	68	120 V=/12,3 W
88	12 V=/17,4 W CLSF	69	250 V=/9,2 W
89	36 V=/18,8 W CLSF	71	8 V=/8,2 W
90	28 V=/8,2 W	72	24 V=/12 W
91	6 V=/10,6 W CLSF	73	198 V=/10 W
92	190 V=/6,5 W	74	72 V=/11,3 W
94	3 V=/7 W	75	90 V=/11,3 W
95	38 V=/6,4 W	76	100 V=/9 W
A1	24 V=/1 W	77	220 V=/10 W - 230 V=/1,6 W
A2	12 V=/1 W	78	24 V=/24 W CLSF
A3	9 V=/1 W	80	55 V=/10,6 W CLSF
MOD. DD01 : Protection diode (DC)		82	179 V=/11,1 W
MOD. MOV1 : Protection varistor (AC)		83	15 V=/8,1 W
MOD. DD01 : max. 8,5 W		84	125 V=/10 W
MOD. MOV1 : max. 8,5 W		86	36 V=/11 W
		93	12 V=/24 W CLSF

2. MANUAL OPERATOR (Common options for 100 & 200 Series)

- XX Y ZZ	MANUAL OPERATOR
0	No operator
1	Non-locking recessed
2	Locking recessed
3	Non-locking extended
4	Locking extended

3. ELECTRICAL CONNECTION (type 100 Series)

- XX Y ZZ	ELECTRICAL CONNECTION
AA	Wiring box with 1/2" NPS conduit
BA	Flying leads
CA	1/2" NPS conduit
CC	1/2" NPS conduit
FA	Military type 2 PIN
GA	Military type 3 PIN
HA	AA with ground wire
JA*	Square connector
JB	Rectangular connector
JC*	Square connector with light
JD	Rectangular connector with light
JE	Square connector on top (ISO2, ISO3)
JF	Rectangular connector on top (ISO1, ISO2, ISO3)
JG	JE with light
JH	JF with light
JJ	Square connector, male only
JM	Rectangular connector, male only
MA	Electrical common conduit
MB	Electrical common conduit
NA	CA with ground wire
NC	CC with ground wire
RA	3/8" NPS conduit
AD	Wiring box 20 mm
AH	Wiring box PG 13,5 with ground wire
CD	20 mm conduit
CG	PG 11 conduit
HH	Wiring box PG 13,5 with ground wire
ND	20 mm conduit with ground wire
NG	PG11 conduit with ground wire
HD	20 mm wiring box with ground wire

3. ELECTRICAL CONNECTION (type 200 Series)

- XX Y ZZ	ELECTRICAL CONNECTION
AA	Wiring box with 1/2" NPS conduit
BA	Flying leads
CA	1/2" NPS conduit
CC	1/2" NPS conduit
EA	Explosion proof (200 Series)
EA	Explosion proof (57, 58 & 59 Series)
EE	Explosion proof (CENELEC)
EN	Explosion proof with ground wire
FA	Military type 2 PIN
GA	Military type 3 PIN
HA	AA with ground wire
JA*	Square connector
JC	Square connector with light
JJ	Square connector, male only
NA	CA with ground wire
NC	CC with ground wire
AD	Wiring box 20 mm
AK	PG 16 wiring box
CD	20 mm conduit
CK	PG 16 conduit
HD	20 mm wiring box with ground wire
HK	PG16 wiring box with ground wire
ND	20 mm conduit with ground wire
NK	PG16 wiring box with ground wire

* Not to be used with 100, 800 and 900 Series manifold mounting

4. WIRE LENGTH (Common options for 100 & 200 Series)

- XX Y ZZ (-VV)	WIRE LENGTH
AA	45 cm - 18"
AB	60 cm - 24"
AD	90 cm - 36"
AE	120 cm - 48"
AF	180 cm - 72"
AG	15 cm - 6"
AR	30 cm - 12"
AU	305 cm - 120"
BA	152 cm - 60"
BB	366 cm - 144"

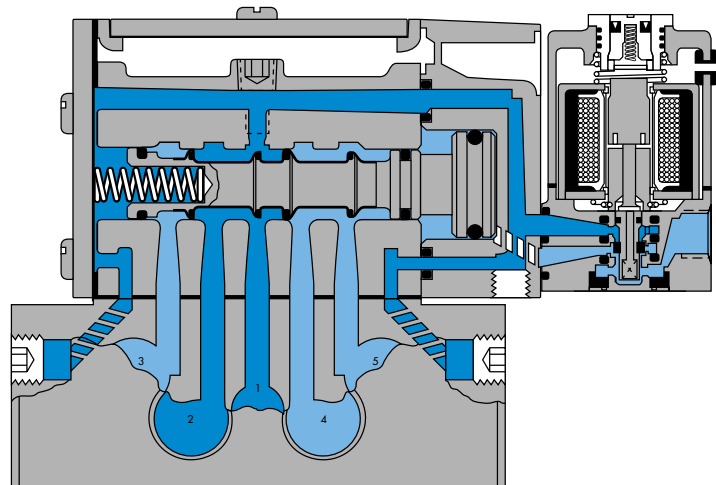
Series 6000 : wire length, delivered with the base

MOD L024	60 cm - 24"
MOD L036	91 cm - 36"
MOD L048	122 cm - 48"
MOD L060	152 cm - 60"
MOD L072	180 cm - 72"
MOD L120	305 cm - 120"

Individual mounting



Manifold mounting



Function	Port size	Flow [Max]	Individual mounting & Manifold mounting
5/2 - 5/3	G1/4" - G3/8"	1600 NI/min	sub-base

OPERATIONAL BENEFITS

- Balanced spool, immune to variations of pressure.
- Short stroke with high flow.
- The piston (booster) provides maximum shifting forces.
- Powerful return force thanks to the combination of mechanical and air springs.
- Bonded spool with minimum friction, shifting in a glass-like finished bore.
- Wiping effect eliminates sticking.
- Pilot valve with balanced poppet, high flow, short and consistent response times.
- Long service life.

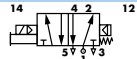

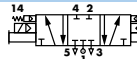
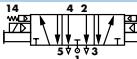


HOW TO ORDER

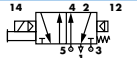
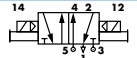
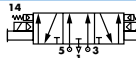
Reset

MV-A1C-xxxx-PM-xyzz

SINGLE PRESSURE VALVES

Pilot air	5/2 Single operator	5/2 Double operator	5/3 Closed centre	5/3 Open centre
Internal	 <input type="radio"/> MV-A1C-A111-PM- xyzz	 <input type="radio"/> MV-A1C-A211-PM- xyzz	 <input type="radio"/> MV-A1C-A312-PM- xyzz	 <input type="radio"/> MV-A1C-A311-PM- xyzz
External	<input type="radio"/> MV-A1C-A121-PM- xyzz	<input type="radio"/> MV-A1C-A221-PM- xyzz	<input type="radio"/> MV-A1C-A322-PM- xyzz	<input type="radio"/> MV-A1C-A321-PM- xyzz

DUAL PRESSURE VALVES

Pilot air	5/2 Single operator	5/2 Double operator	5/3 Pressure centre
Internal port 3	 <input type="radio"/> MV-A1C-A131-PM- xyzz	 <input type="radio"/> MV-A1C-A231-PM- xyzz	 <input type="radio"/> MV-A1C-A331-PM- xyzz
Internal port 5	<input type="radio"/> MV-A1C-A135-PM- xyzz	<input type="radio"/> MV-A1C-A232-PM- xyzz	<input type="radio"/> MV-A1C-A332-PM- xyzz
External	<input type="radio"/> MV-A1C-A141-PM- xyzz	<input type="radio"/> MV-A1C-A241-PM- xyzz	<input type="radio"/> MV-A1C-A341-PM- xyzz

SOLENOID OPERATOR >

XX Y ZZ*

Voltage	Manual operator	Electrical connection
<input type="radio"/> 11 110V~/50Hz	<input type="radio"/> 1 Non-locking	<input type="radio"/> JB Rectangular connector
<input type="radio"/> 12 220V~/50Hz	<input type="radio"/> 2 Locking	<input type="radio"/> JD Rectangular connector with light
<input type="radio"/> 22 24V~/50Hz	<input type="radio"/> y Other Options	<input type="radio"/> JA Square connector
<input type="radio"/> 59 24V=/2,5W		<input type="radio"/> JC Square connector with light
<input type="radio"/> 87 24V=/17,1W		<input type="radio"/> BA Flying leads (45 cm)
<input type="radio"/> 61 24V=/8,5W		<input type="radio"/> zz Other Options

Note : ISO valves are delivered w/o base.

xx Other Options

OPTIONS

MV-A1C-A111-PM-**xyzz**

click for CNOMO pilot (replace by CM).

**TECHNICAL
DATA**

Fluid :	Compressed air, vacuum, inert gases	
Pressure range :	Internal pilot : single operator and 3 positions : 1.8 to 10 bar	double operator : 0.7 to 10 bar
	External pilot : vacuum to 10 bar	
Pilot pressure :	Single operator and 3 positions : 1.8 to 10 bar Double operator : 0.7 to 10 bar	
Lubrication :	Not required, if used select a medium aniline point lubricant (between 80°C and 100°C)	
Filtration :	40 µ	
Temperature range :	-18°C to +50°C	
Orifice :	9-11 mm	
Flow (at 6 bar, ΔP=1bar) :	G 1/4" - G 3/8" : 1600 NI/min (C _v 1.6)	
Leak rate :	100 cm ³ /min	
Coil :	Epoxy encapsulated - class A wires - 100% ED (specify mod 0449)	
Voltage range :	-15% to +10% of nominal voltage	
Protection :	IP 65	
Power :	~ Inrush : 14.8 VA	Holding : 10.9 VA
	= 1 to 17.1 W	
Response times :	24 V =/8.5 W	Energize : 10ms De-energize : 11 ms
	50Hz/6 W	Energize : 7-13 ms De-energize : 10-17 ms

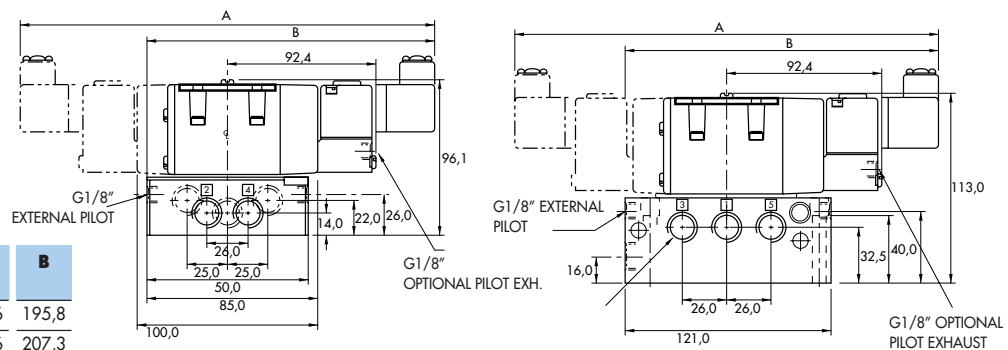
Spare parts :

- Solenoid operator (power ≥ 4 W) : D1-XXYZZ1, including mounting screws 35206 and seal 16234.
- Pilot valve : PME-XXYZZ, including seal 16337. • Pressure seal between valve and base : 16344.
- Mounting screw valve to base (x4) : 35304.

DIMENSIONS

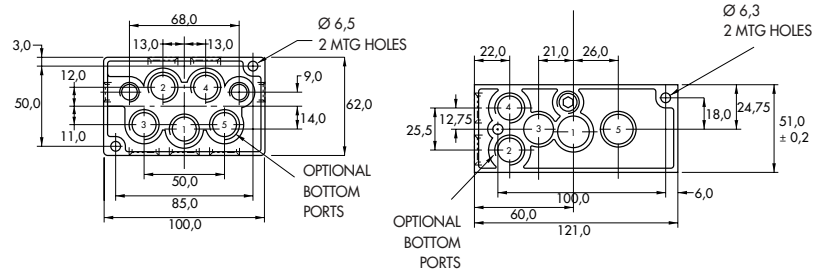
ISO 1 Manifold mounting

TYPE	A	B
JA & JC	271,6	195,8
JB & JD	294,6	207,3



ISO 1 Individual mounting

TYPE	A	B
JA & JC	271,6	185,8
JB & JD	294,6	197,3





Codification table for voltages / Manual operator / Electrical connection / Wire length

VALVE CODE >

-XX Y ZZ (-VV)
1 2 3 4

OPTIONS AVAILABLE FOR	OPTIONS AVAILABLE FOR
- valves type 100 Series - pilot valves "CNOMO"	- valves type 200 Series
- Pilot operated valves with pilots type 100 Series Series : 55 - 56 - 700 - 800 - 900 - 6200 - 6300 - 6500 - 6600 - 1300 - ISO 1 - ISO 2 - ISO 3.	- pilot operated valves with pilots type 200 Series Series : 200 - 57 - 58 - 59.
- Pilot operated valves with pilots "CNOMO" Series : ISO1 - ISO2 - ISO3	

1. VOLTAGE (type 100 Series)		1. VOLTAGE (type 200 Series)	
- XX Y ZZ	VOLTAGE	- XX Y ZZ	VOLTAGE
11	120 V~/60 Hz - 110 V~/50 Hz	11	120 V~/60 Hz - 110 V~/50 Hz - 24 V=
12	240 V~/60 Hz - 220 V~/50 Hz	12	240 V~/60 Hz - 220 V~/50 Hz
13	100 V~/60 Hz - 100 V~/50 Hz	13	100 V~/60 Hz - 100 V~/50 Hz
15	200 V~/60 Hz - 200 V~/50 Hz	14	200 V~/60 Hz - 200 V~/50 Hz
16	10 V~/60 Hz	20	6 V~/60 Hz
20	6 V~/60 Hz	21	12 V~/60 Hz
21	12 V~/50 Hz - 12 V~/60 Hz	22	24 V~/60 Hz - 24 V~/50 Hz
22	24 V~/60 Hz - 24 V~/50 Hz	23	32 V~/60 Hz - 32 V~/50 Hz
23	32 V~/60 Hz - 32 V~/50 Hz	24	48 V~/60 Hz - 42 V~/50 Hz
24	48 V~/60 Hz - 42 V~/50 Hz	25	240 V~/50 Hz
26	380 V~/50 Hz, 440 V~/50 Hz -440 V~/60 Hz, 480 V~/60 Hz-CLSF	26	480 V~/60 Hz - 440 V~/50 Hz
29	200 V~/60 Hz	27	127 V~/60 Hz
34	127 V~/50 Hz - 120 V~/50 Hz	28	415 V~/50 Hz
35	48 V~/50 Hz	29	200 V~/60 Hz
36	16 V~/60 Hz	30	380 V~/50 Hz
B1	24 V~/50 Hz	31	550 V~/60 Hz - 550 V~/50 Hz
50	24 V=/6 W	32	120 V~/60 Hz - 110 V~/50 Hz
51	24 V=/4 W	33	600 V~/60 Hz
54	12 V=/4 W	34	127 V~/50 Hz
55	12 V=/6 W	35	48 V~/50 Hz
57	12 V=/2,5 W	50	24 V=/6 W
59	24 V=/2,5 W	51	24 V=/4,5 W
60	12 V=/8,5 W	52	24 V=/2,5 W
61	24 V=/8,5 W	53	24 V=/1 W
64	6 V=/6 W	55	12 V=/6 W
65	32 V=/7 W	57	12 V=/2,5 W
66	48 V=/5,8 W	58	48 V=/2,5 W
67	64 V=/7,5 W	60	12 V=/9,5 W
68	120 V=/6,4 W	61	24 V=/8,5 W
69	220 V=/8,7 W - 250 V=/11,2 W CLSF	64	6 V=/8,5 W
75	90 V=/8,8 W CLSF	65	32 V=/10 W
76	100 V=/6,9 W CLSF	66	48 V=/11,5 W
84	125 V=/10,9 W CLSF	67	64 V=/10,5 W
87	24 V=/17,1 W CLSF	68	120 V=/12,3 W
88	12 V=/17,4 W CLSF	69	250 V=/9,2 W
89	36 V=/18,8 W CLSF	71	8 V=/8,2 W
90	28 V=/8,2 W	72	24 V=/12 W
91	6 V=/10,6 W CLSF	73	198 V=/10 W
92	190 V=/6,5 W	74	72 V=/11,3 W
94	3 V=/7 W	75	90 V=/11,3 W
95	38 V=/6,4 W	76	100 V=/9 W
A1	24 V=/1 W	77	220 V=/10 W - 230 V=/1,6 W
A2	12 V=/1 W	78	24 V=/24 W CLSF
A3	9 V=/1 W	80	55 V=/10,6 W CLSF
MOD. DD01 : Protection diode (DC)		82	179 V=/11,1 W
MOD. MOV1 : Protection varistor (AC)		83	15 V=/8,1 W
MOD. DD01 : max. 8,5 W		84	125 V=/10 W
MOD. MOV1 : max. 8,5 W		86	36 V=/11 W
		93	12 V=/24 W CLSF

2. MANUAL OPERATOR (Common options for 100 & 200 Series)

- XX Y ZZ	MANUAL OPERATOR
0	No operator
1	Non-locking recessed
2	Locking recessed
3	Non-locking extended
4	Locking extended

3. ELECTRICAL CONNECTION (type 100 Series)

- XX Y ZZ	ELECTRICAL CONNECTION
AA	Wiring box with 1/2" NPS conduit
BA	Flying leads
CA	1/2" NPS conduit
CC	1/2" NPS conduit
FA	Military type 2 PIN
GA	Military type 3 PIN
HA	AA with ground wire
JA*	Square connector
JB	Rectangular connector
JC*	Square connector with light
JD	Rectangular connector with light
JE	Square connector on top (ISO2, ISO3)
JF	Rectangular connector on top (ISO1, ISO2, ISO3)
JG	JE with light
JH	JF with light
JJ	Square connector, male only
JM	Rectangular connector, male only
MA	Electrical common conduit
MB	Electrical common conduit
NA	CA with ground wire
NC	CC with ground wire
RA	3/8" NPS conduit
AD	Wiring box 20 mm
AH	Wiring box PG 13,5 with ground wire
CD	20 mm conduit
CG	PG 11 conduit
HH	Wiring box PG 13,5 with ground wire
ND	20 mm conduit with ground wire
NG	PG11 conduit with ground wire
HD	20 mm wiring box with ground wire

3. ELECTRICAL CONNECTION (type 200 Series)

- XX Y ZZ	ELECTRICAL CONNECTION
AA	Wiring box with 1/2" NPS conduit
BA	Flying leads
CA	1/2" NPS conduit
CC	1/2" NPS conduit
EA	Explosion proof (200 Series)
EA	Explosion proof (57, 58 & 59 Series)
EE	Explosion proof (CENELEC)
EN	Explosion proof with ground wire
FA	Military type 2 PIN
GA	Military type 3 PIN
HA	AA with ground wire
JA*	Square connector
JC	Square connector with light
JJ	Square connector, male only
NA	CA with ground wire
NC	CC with ground wire
AD	Wiring box 20 mm
AK	PG 16 wiring box
CD	20 mm conduit
CK	PG 16 conduit
HD	20 mm wiring box with ground wire
HK	PG16 wiring box with ground wire
ND	20 mm conduit with ground wire
NK	PG16 wiring box with ground wire

* Not to be used with 100, 800 and 900 Series manifold mounting

4. WIRE LENGTH (Common options for 100 & 200 Series)

- XX Y ZZ (-VV)	WIRE LENGTH
AA	45 cm - 18"
AB	60 cm - 24"
AD	90 cm - 36"
AE	120 cm - 48"
AF	180 cm - 72"
AG	15 cm - 6"
AR	30 cm - 12"
AU	305 cm - 120"
BA	152 cm - 60"
BB	366 cm - 144"

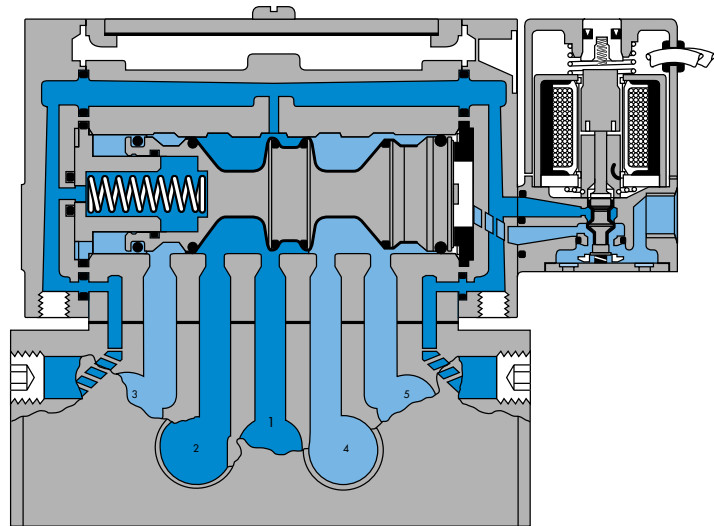
Series 6000 : wire length, delivered with the base

MOD L024	60 cm - 24"
MOD L036	91 cm - 36"
MOD L048	122 cm - 48"
MOD L060	152 cm - 60"
MOD L072	180 cm - 72"
MOD L120	305 cm - 120"

Individual mounting



Manifold mounting



Function	Port size	Flow [Max]	Individual mounting & Manifold mounting
5/2 - 5/3	G3/8" - G1/2"	3000 NI/min	sub-base

OPERATIONAL BENEFITS

- Balanced spool, immune to variations of pressure.
- Short stroke with high flow.
- The piston (booster) provides maximum shifting forces.
- Powerful return force thanks to the combination of mechanical and air springs.
- Bonded spool with minimum friction, shifting in a glass-like finished bore.
- Wiping effect eliminates sticking.
- Pilot valve with balanced poppet, high flow, short and consistent response times.
- Long service life.



HOW TO ORDER

Reset **MV-A2B-xxxx-PM-xyzz**

SINGLE PRESSURE VALVES

Pilot air	5/2 Single operator	5/2 Double operator	5/3 Closed centre	5/3 Open centre
Internal	<input type="radio"/> MV-A2B-A111-PM- xyzz	<input type="radio"/> MV-A2B-A211-PM- xyzz	<input type="radio"/> MV-A2B-A312-PM- xyzz	<input type="radio"/> MV-A2B-A311-PM- xyzz
External	<input type="radio"/> MV-A2B-A121-PM- xyzz	<input type="radio"/> MV-A2B-A221-PM- xyzz	<input type="radio"/> MV-A2B-A322-PM- xyzz	<input type="radio"/> MV-A2B-A321-PM- xyzz

DUAL PRESSURE VALVES

Pilot air	5/2 Single operator	5/2 Double operator	5/3 Pressure centre
Internal port 3	<input type="radio"/> MV-A2B-A131-PM- xyzz	<input type="radio"/> MV-A2B-A231-PM- xyzz	<input type="radio"/> MV-A2B-A331-PM- xyzz
Internal port 5	<input type="radio"/> MV-A2B-A135-PM- xyzz	<input type="radio"/> MV-A2B-A232-PM- xyzz	<input type="radio"/> MV-A2B-A332-PM- xyzz
External	<input type="radio"/> MV-A2B-A141-PM- xyzz	<input type="radio"/> MV-A2B-A241-PM- xyzz	<input type="radio"/> MV-A2B-A341-PM- xyzz

SOLENOID OPERATOR >

XX Y ZZ*

Voltage	Manual operator	Electrical connection
<input type="radio"/> 11 110V~/50Hz	<input type="radio"/> 1 Non-locking	<input type="radio"/> JB Rectangular connector
<input type="radio"/> 12 220V~/50Hz	<input type="radio"/> 2 Locking	<input type="radio"/> JD Rectangular connector with light
<input type="radio"/> 22 24V~/50Hz	<input type="radio"/> y Other Options	<input type="radio"/> JA Square connector
<input type="radio"/> 59 24V=/2,5W		<input type="radio"/> JC Square connector with light
<input type="radio"/> 87 24V=/17,1W		<input type="radio"/> BA Flying leads (45 cm)
<input type="radio"/> 61 24V=/8,5W		<input type="radio"/> zz Other Options

Note : ISO valves are delivered w/o base.

xx Other Options

OPTIONS

MV-A2B-A111-PM-**xyzz**

click for CNOMO pilot (replace by CM).

TECHNICAL
DATA

Fluid :	Compressed air, vacuum, inert gases	
Pressure range :	Internal pilot : single operator and 3 positions : 1.8 to 10 bar	double operator : 0.7 to 10 bar
	External pilot : vacuum to 10 bar	
Pilot pressure :	Single operator and 3 positions : 1.8 to 10 bar	Double operator : 0.7 to 10 bar
Lubrication :	Not required, if used select a medium aniline point lubricant (between 80°C and 100°C)	
Filtration :	40 μ	
Temperature range :	-18°C to +50°C	
Orifice :	15 mm	
Flow (at 6 bar, ΔP=1bar) :	G 3/8" - G 1/2" : 3000 NI/min (C _v 3.0)	
Leak rate :	100 cm ³ /min	
Coil :	Epoxy encapsulated - class A wires - 100% ED (specify mod 0449)	
Voltage range :	-15% to +10% of nominal voltage	
Protection :	IP 65	
Power :	~ Inrush : 14.8 VA	Holding : 10.9 VA
	= 1 to 17.1 W	
Response times :	24 V=8.5 w	Energize : 10ms De-energize : 15ms
	50Hz/6 W	Energize : 6-15 ms De-energize : 10-17 ms

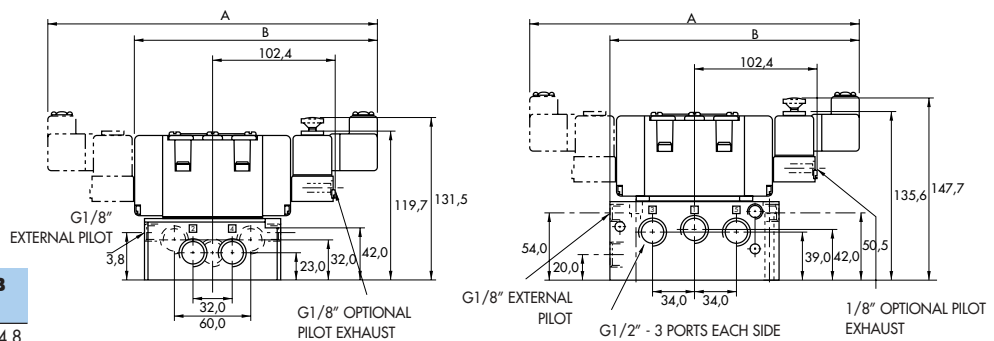
Spare parts :

- Solenoid operator (power ≥ 4 W) : D1-XXYZZ1, including mounting screws 35206 and seal 16234.
- Pilot valve : PME-XXYZZ, including seal 16337. • Pressure seal between valve and base : 16351.
- Mounting screw valve to base (x4) : 35412.

DIMENSIONS

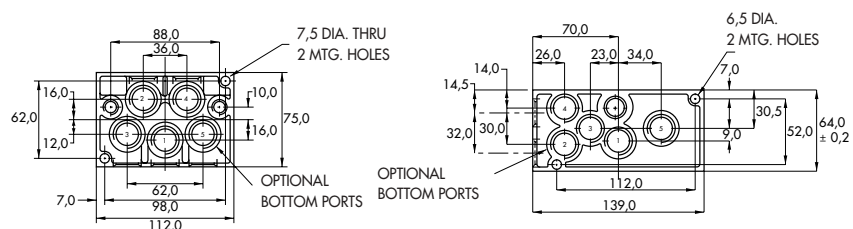
ISO 2 Manifold mounting

TYPE	A	B
JA & JC	291,6	214,8
JB & JD	314,6	226,3



ISO 2 Individual mounting

TYPE	A	B
JA & JC	291,6	212,3
JB & JD	314,6	223,8





Codification table for voltages / Manual operator / Electrical connection / Wire length

VALVE CODE >

-XX Y ZZ (-VV)
1 2 3 4

OPTIONS AVAILABLE FOR	OPTIONS AVAILABLE FOR
- valves type 100 Series - pilot valves "CNOMO"	- valves type 200 Series
- Pilot operated valves with pilots type 100 Series Series : 55 - 56 - 700 - 800 - 900 - 6200 - 6300 - 6500 - 6600 - 1300 - ISO 1 - ISO 2 - ISO 3.	- pilot operated valves with pilots type 200 Series Series : 200 - 57 - 58 - 59.
- Pilot operated valves with pilots "CNOMO" Series : ISO1 - ISO2 - ISO3	

1. VOLTAGE (type 100 Series)		1. VOLTAGE (type 200 Series)	
- XX Y ZZ	VOLTAGE	- XX Y ZZ	VOLTAGE
11	120 V~/60 Hz - 110 V~/50 Hz	11	120 V~/60 Hz - 110 V~/50 Hz - 24 V=
12	240 V~/60 Hz - 220 V~/50 Hz	12	240 V~/60 Hz - 220 V~/50 Hz
13	100 V~/60 Hz - 100 V~/50 Hz	13	100 V~/60 Hz - 100 V~/50 Hz
15	200 V~/60 Hz - 200 V~/50 Hz	14	200 V~/60 Hz - 200 V~/50 Hz
16	10 V~/60 Hz	20	6 V~/60 Hz
20	6 V~/60 Hz	21	12 V~/60 Hz
21	12 V~/50 Hz - 12 V~/60 Hz	22	24 V~/60 Hz - 24 V~/50 Hz
22	24 V~/60 Hz - 24 V~/50 Hz	23	32 V~/60 Hz - 32 V~/50 Hz
23	32 V~/60 Hz - 32 V~/50 Hz	24	48 V~/60 Hz - 42 V~/50 Hz
24	48 V~/60 Hz - 42 V~/50 Hz	25	240 V~/50 Hz
26	380 V~/50 Hz, 440 V~/50 Hz -440 V~/60 Hz, 480 V~/60 Hz-CLSF	26	480 V~/60 Hz - 440 V~/50 Hz
29	200 V~/60 Hz	27	127 V~/60 Hz
34	127 V~/50 Hz - 120 V~/50 Hz	28	415 V~/50 Hz
35	48 V~/50 Hz	29	200 V~/60 Hz
36	16 V~/60 Hz	30	380 V~/50 Hz
B1	24 V~/50 Hz	31	550 V~/60 Hz - 550 V~/50 Hz
50	24 V=/6 W	32	120 V~/60 Hz - 110 V~/50 Hz
51	24 V=/4 W	33	600 V~/60 Hz
54	12 V=/4 W	34	127 V~/50 Hz
55	12 V=/6 W	35	48 V~/50 Hz
57	12 V=/2,5 W	50	24 V=/6 W
59	24 V=/2,5 W	51	24 V=/4,5 W
60	12 V=/8,5 W	52	24 V=/2,5 W
61	24 V=/8,5 W	53	24 V=/1 W
64	6 V=/6 W	55	12 V=/6 W
65	32 V=/7 W	57	12 V=/2,5 W
66	48 V=/5,8 W	58	48 V=/2,5 W
67	64 V=/7,5 W	60	12 V=/9,5 W
68	120 V=/6,4 W	61	24 V=/8,5 W
69	220 V=/8,7 W - 250 V=/11,2 W CLSF	64	6 V=/8,5 W
75	90 V=/8,8 W CLSF	65	32 V=/10 W
76	100 V=/6,9 W CLSF	66	48 V=/11,5 W
84	125 V=/10,9 W CLSF	67	64 V=/10,5 W
87	24 V=/17,1 W CLSF	68	120 V=/12,3 W
88	12 V=/17,4 W CLSF	69	250 V=/9,2 W
89	36 V=/18,8 W CLSF	71	8 V=/8,2 W
90	28 V=/8,2 W	72	24 V=/12 W
91	6 V=/10,6 W CLSF	73	198 V=/10 W
92	190 V=/6,5 W	74	72 V=/11,3 W
94	3 V=/7 W	75	90 V=/11,3 W
95	38 V=/6,4 W	76	100 V=/9 W
A1	24 V=/1 W	77	220 V=/10 W - 230 V=/1,6 W
A2	12 V=/1 W	78	24 V=/24 W CLSF
A3	9 V=/1 W	80	55 V=/10,6 W CLSF
MOD. DD01 : Protection diode (DC)		82	179 V=/11,1 W
MOD. MOV1 : Protection varistor (AC)		83	15 V=/8,1 W
MOD. DD01 : max. 8,5 W		84	125 V=/10 W
MOD. MOV1 : max. 8,5 W		86	36 V=/11 W
		93	12 V=/24 W CLSF

2. MANUAL OPERATOR (Common options for 100 & 200 Series)

- XX Y ZZ	MANUAL OPERATOR
0	No operator
1	Non-locking recessed
2	Locking recessed
3	Non-locking extended
4	Locking extended

3. ELECTRICAL CONNECTION (type 100 Series)

- XX Y ZZ	ELECTRICAL CONNECTION
AA	Wiring box with 1/2" NPS conduit
BA	Flying leads
CA	1/2" NPS conduit
CC	1/2" NPS conduit
FA	Military type 2 PIN
GA	Military type 3 PIN
HA	AA with ground wire
JA*	Square connector
JB	Rectangular connector
JC*	Square connector with light
JD	Rectangular connector with light
JE	Square connector on top (ISO2, ISO3)
JF	Rectangular connector on top (ISO1, ISO2, ISO3)
JG	JE with light
JH	JF with light
JJ	Square connector, male only
JM	Rectangular connector, male only
MA	Electrical common conduit
MB	Electrical common conduit
NA	CA with ground wire
NC	CC with ground wire
RA	3/8" NPS conduit
AD	Wiring box 20 mm
AH	Wiring box PG 13,5 with ground wire
CD	20 mm conduit
CG	PG 11 conduit
HH	Wiring box PG 13,5 with ground wire
ND	20 mm conduit with ground wire
NG	PG11 conduit with ground wire
HD	20 mm wiring box with ground wire

* Not to be used with 100, 800 and 900 Series manifold mounting

3. ELECTRICAL CONNECTION (type 200 Series)

- XX Y ZZ	ELECTRICAL CONNECTION
AA	Wiring box with 1/2" NPS conduit
BA	Flying leads
CA	1/2" NPS conduit
CC	1/2" NPS conduit
EA	Explosion proof (200 Series)
EA	Explosion proof (57, 58 & 59 Series)
EE	Explosion proof (CENELEC)
EN	Explosion proof with ground wire
FA	Military type 2 PIN
GA	Military type 3 PIN
HA	AA with ground wire
JA*	Square connector
JC	Square connector with light
JJ	Square connector, male only
NA	CA with ground wire
NC	CC with ground wire
AD	Wiring box 20 mm
AK	PG 16 wiring box
CD	20 mm conduit
CK	PG 16 conduit
HD	20 mm wiring box with ground wire
HK	PG16 wiring box with ground wire
ND	20 mm conduit with ground wire
NK	PG16 wiring box with ground wire

4. WIRE LENGTH (Common options for 100 & 200 Series)

- XX Y ZZ (-VV)	WIRE LENGTH
AA	45 cm - 18"
AB	60 cm - 24"
AD	90 cm - 36"
AE	120 cm - 48"
AF	180 cm - 72"
AG	15 cm - 6"
AR	30 cm - 12"
AU	305 cm - 120"
BA	152 cm - 60"
BB	366 cm - 144"

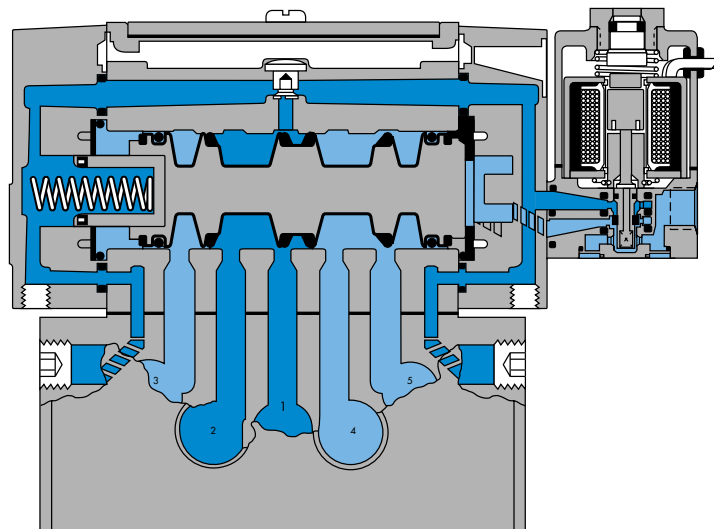
Series 6000 : wire length, delivered with the base

MOD L024	60 cm - 24"
MOD L036	91 cm - 36"
MOD L048	122 cm - 48"
MOD L060	152 cm - 60"
MOD L072	180 cm - 72"
MOD L120	305 cm - 120"

Individual mounting



Manifold mounting



Function	Port size	Flow [Max]	Individual mounting & Manifold mounting
5/2 - 5/3	G1/2" - G3/4"	6300 NI/min	sub-base

OPERATIONAL BENEFITS

- Balanced spool, immune to variations of pressure.
- Short stroke with high flow.
- The piston (booster) provides maximum shifting forces.
- Powerful return force thanks to the combination of mechanical and air springs.
- Bonded spool with minimum friction, shifting in a glass-like finished bore.
- Wiping effect eliminates sticking.
- Pilot valve with balanced poppet, high flow, short and consistent response times.
- Long service life.



HOW TO ORDER

Reset **MV-A3B-xxxx-PM-xyzz**

SINGLE PRESSURE VALVES

Pilot air	5/2 Single operator	5/2 Double operator	5/3 Closed centre	5/3 Open centre
Internal	<input type="radio"/> MV-A3B-A111-PM-xyzz	<input type="radio"/> MV-A3B-A211-PM-xyzz	<input type="radio"/> MV-A3B-A312-PM-xyzz	<input type="radio"/> MV-A3B-A311-PM-xyzz
External	<input type="radio"/> MV-A3B-A121-PM-xyzz	<input type="radio"/> MV-A3B-A221-PM-xyzz	<input type="radio"/> MV-A3B-A322-PM-xyzz	<input type="radio"/> MV-A3B-A321-PM-xyzz

DUAL PRESSURE VALVES

Pilot air	5/2 Single operator	5/2 Double operator	5/3 Pressure centre
Internal port 3	<input type="radio"/> MV-A3B-A131-PM-xyzz	<input type="radio"/> MV-A3B-A231-PM-xyzz	<input type="radio"/> MV-A3B-A331-PM-xyzz
Internal port 5	<input type="radio"/> MV-A3B-A135-PM-xyzz	<input type="radio"/> MV-A3B-A232-PM-xyzz	<input type="radio"/> MV-A3B-A332-PM-xyzz
External	<input type="radio"/> MV-A3B-A141-PM-xyzz	<input type="radio"/> MV-A3B-A241-PM-xyzz	<input type="radio"/> MV-A3B-A341-PM-xyzz

SOLENOID OPERATOR >

XX Y ZZ*

Voltage	Manual operator	Electrical connection
<input type="radio"/> 11 110V~/50Hz	<input type="radio"/> 1 Non-locking	<input type="radio"/> JB Rectangular connector
<input type="radio"/> 12 220V~/50Hz	<input type="radio"/> 2 Locking	<input type="radio"/> JD Rectangular connector with light
<input type="radio"/> 22 24V~/50Hz	<input type="radio"/> y Other Options	<input type="radio"/> JA Square connector
<input type="radio"/> 59 24V=/2,5W		<input type="radio"/> JC Square connector with light
<input type="radio"/> 87 24V=/17,1W		<input type="radio"/> BA Flying leads (45 cm)
<input type="radio"/> 61 24V=/8,5W		<input type="radio"/> zz Other Options
<input type="radio"/> xx Other Options		

Note : ISO valves are delivered w/o base.

OPTIONS

MV-A3B-A111-PM-xyzz click for CNOMO pilot (replace by CM).

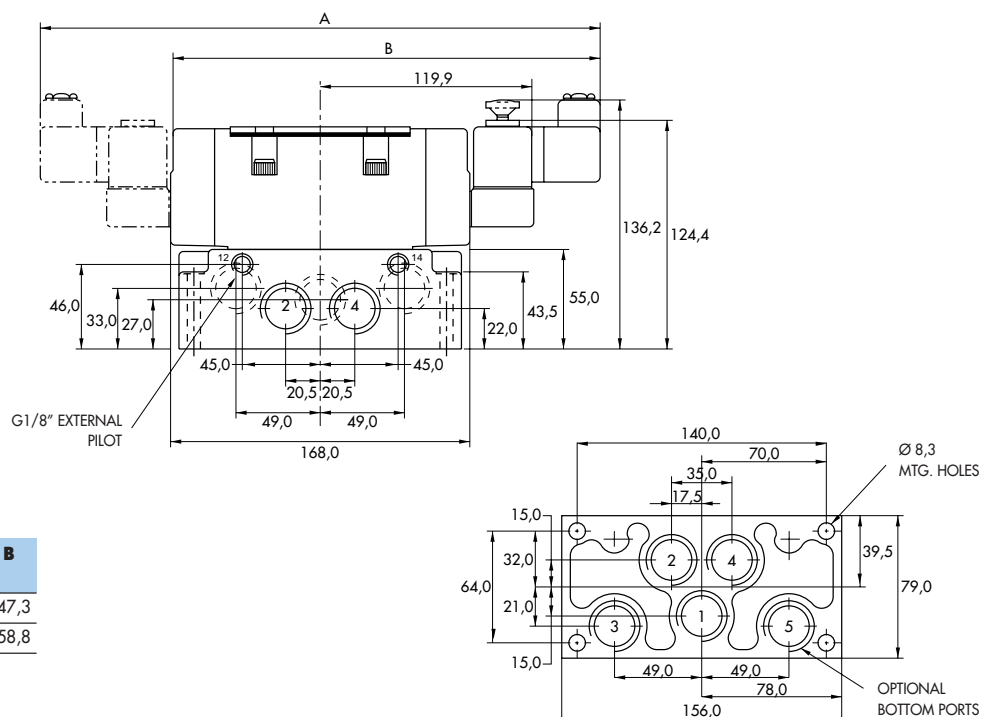
TECHNICAL
DATA

Fluid :	Compressed air, vacuum, inert gases	
Pressure range :	Internal pilot : single operator and 3 positions : 1.8 to 10 bar	double operator : 0.7 to 10 bar
	External pilot : vacuum to 10 bar	
Pilot pressure :	Single operator and 3 positions : 1.8 to 10 bar	Double operator : 0.7 to 10 bar
Lubrication :	Not required, if used select a medium aniline point lubricant (between 80°C and 100°C)	
Filtration :	40 µ	
Temperature range :	-18°C to +50°C	
Orifice :	24 mm	
Flow (at 6 bar, ΔP=1 bar) :	G 1/2" - G 3/4" : 6300 NI/min (C _v 6.3)	
Leak rate :	100 cm ³ /min	
Coil :	Epoxy encapsulated - class A wires - 100% ED (specify mod 0449)	
Voltage range :	-15% to +10% of nominal voltage	
Protection :	IP 65	
Power :	~ Inrush : 14.8 VA	Holding : 10.9 VA
	= 1 to 17.1 W	
Response times :	24 V=8.5 W	Energize : 18ms De-energize : 20 ms
	50Hz/6 W	Energize : 15-25ms De-energize : 19-28 ms

Spare parts :

- Solenoid operator (power ≥ 4 W) : D1-XXYZZ1, including mounting screws 35206 and seal 16234.
- Pilot valve : PME-XXYZZ, including seal 16337. • Pressure seal between valve and base : 16436.
- Mounting screw valve to base (x4) : 35416. • Check valve : 70002 (+M-00011).

DIMENSIONS



ISO 3 Individual mounting

TYPE	A	B
JA & JC	326,6	247,3
JB & JD	349,6	258,8



Codification table for voltages / Manual operator / Electrical connection / Wire length

VALVE CODE >

-XX Y ZZ (-VV)
1 2 3 4

OPTIONS AVAILABLE FOR	OPTIONS AVAILABLE FOR
- valves type 100 Series - pilot valves "CNOMO"	- valves type 200 Series
- Pilot operated valves with pilots type 100 Series Series : 55 - 56 - 700 - 800 - 900 - 6200 - 6300 - 6500 - 6600 - 1300 - ISO 1 - ISO 2 - ISO 3.	- pilot operated valves with pilots type 200 Series Series : 200 - 57 - 58 - 59.
- Pilot operated valves with pilots "CNOMO" Series : ISO1 - ISO2 - ISO3	

1. VOLTAGE (type 100 Series)		1. VOLTAGE (type 200 Series)	
- XX Y ZZ	VOLTAGE	- XX Y ZZ	VOLTAGE
11	120 V~/60 Hz - 110 V~/50 Hz	11	120 V~/60 Hz - 110 V~/50 Hz - 24 V=
12	240 V~/60 Hz - 220 V~/50 Hz	12	240 V~/60 Hz - 220 V~/50 Hz
13	100 V~/60 Hz - 100 V~/50 Hz	13	100 V~/60 Hz - 100 V~/50 Hz
15	200 V~/60 Hz - 200 V~/50 Hz	14	200 V~/60 Hz - 200 V~/50 Hz
16	10 V~/60 Hz	20	6 V~/60 Hz
20	6 V~/60 Hz	21	12 V~/60 Hz
21	12 V~/50 Hz - 12 V~/60 Hz	22	24 V~/60 Hz - 24 V~/50 Hz
22	24 V~/60 Hz - 24 V~/50 Hz	23	32 V~/60 Hz - 32 V~/50 Hz
23	32 V~/60 Hz - 32 V~/50 Hz	24	48 V~/60 Hz - 42 V~/50 Hz
24	48 V~/60 Hz - 42 V~/50 Hz	25	240 V~/50 Hz
26	380 V~/50 Hz, 440 V~/50 Hz -440 V~/60 Hz, 480 V~/60 Hz-CLSF	26	480 V~/60 Hz - 440 V~/50 Hz
29	200 V~/60 Hz	27	127 V~/60 Hz
34	127 V~/50 Hz - 120 V~/50 Hz	28	415 V~/50 Hz
35	48 V~/50 Hz	29	200 V~/60 Hz
36	16 V~/60 Hz	30	380 V~/50 Hz
B1	24 V~/50 Hz	31	550 V~/60 Hz - 550 V~/50 Hz
50	24 V=/6 W	32	120 V~/60 Hz - 110 V~/50 Hz
51	24 V=/4 W	33	600 V~/60 Hz
54	12 V=/4 W	34	127 V~/50 Hz
55	12 V=/6 W	35	48 V~/50 Hz
57	12 V=/2,5 W	50	24 V=/6 W
59	24 V=/2,5 W	51	24 V=/4,5 W
60	12 V=/8,5 W	52	24 V=/2,5 W
61	24 V=/8,5 W	53	24 V=/1 W
64	6 V=/6 W	55	12 V=/6 W
65	32 V=/7 W	57	12 V=/2,5 W
66	48 V=/5,8 W	58	48 V=/2,5 W
67	64 V=/7,5 W	60	12 V=/9,5 W
68	120 V=/6,4 W	61	24 V=/8,5 W
69	220 V=/8,7 W - 250 V=/11,2 W CLSF	64	6 V=/8,5 W
75	90 V=/8,8 W CLSF	65	32 V=/10 W
76	100 V=/6,9 W CLSF	66	48 V=/11,5 W
84	125 V=/10,9 W CLSF	67	64 V=/10,5 W
87	24 V=/17,1 W CLSF	68	120 V=/12,3 W
88	12 V=/17,4 W CLSF	69	250 V=/9,2 W
89	36 V=/18,8 W CLSF	71	8 V=/8,2 W
90	28 V=/8,2 W	72	24 V=/12 W
91	6 V=/10,6 W CLSF	73	198 V=/10 W
92	190 V=/6,5 W	74	72 V=/11,3 W
94	3 V=/7 W	75	90 V=/11,3 W
95	38 V=/6,4 W	76	100 V=/9 W
A1	24 V=/1 W	77	220 V=/10 W - 230 V=/1,6 W
A2	12 V=/1 W	78	24 V=/24 W CLSF
A3	9 V=/1 W	80	55 V=/10,6 W CLSF
MOD. DD01 : Protection diode (DC)		82	179 V=/11,1 W
MOD. MOV1 : Protection varistor (AC)		83	15 V=/8,1 W
MOD. DD01 : max. 8,5 W		84	125 V=/10 W
MOD. MOV1 : max. 8,5 W		86	36 V=/11 W
		93	12 V=/24 W CLSF

2. MANUAL OPERATOR (Common options for 100 & 200 Series)

- XX Y ZZ	MANUAL OPERATOR
0	No operator
1	Non-locking recessed
2	Locking recessed
3	Non-locking extended
4	Locking extended

3. ELECTRICAL CONNECTION (type 100 Series)

- XX Y ZZ	ELECTRICAL CONNECTION
AA	Wiring box with 1/2" NPS conduit
BA	Flying leads
CA	1/2" NPS conduit
CC	1/2" NPS conduit
FA	Military type 2 PIN
GA	Military type 3 PIN
HA	AA with ground wire
JA*	Square connector
JB	Rectangular connector
JC*	Square connector with light
JD	Rectangular connector with light
JE	Square connector on top (ISO2, ISO3)
JF	Rectangular connector on top (ISO1, ISO2, ISO3)
JG	JE with light
JH	JF with light
JJ	Square connector, male only
JM	Rectangular connector, male only
MA	Electrical common conduit
MB	Electrical common conduit
NA	CA with ground wire
NC	CC with ground wire
RA	3/8" NPS conduit
AD	Wiring box 20 mm
AH	Wiring box PG 13,5 with ground wire
CD	20 mm conduit
CG	PG 11 conduit
HH	Wiring box PG 13,5 with ground wire
ND	20 mm conduit with ground wire
NG	PG11 conduit with ground wire
HD	20 mm wiring box with ground wire

3. ELECTRICAL CONNECTION (type 200 Series)

- XX Y ZZ	ELECTRICAL CONNECTION
AA	Wiring box with 1/2" NPS conduit
BA	Flying leads
CA	1/2" NPS conduit
CC	1/2" NPS conduit
EA	Explosion proof (200 Series)
EA	Explosion proof (57, 58 & 59 Series)
EE	Explosion proof (CENELEC)
EN	Explosion proof with ground wire
FA	Military type 2 PIN
GA	Military type 3 PIN
HA	AA with ground wire
JA*	Square connector
JC	Square connector with light
JJ	Square connector, male only
NA	CA with ground wire
NC	CC with ground wire
AD	Wiring box 20 mm
AK	PG 16 wiring box
CD	20 mm conduit
CK	PG 16 conduit
HD	20 mm wiring box with ground wire
HK	PG16 wiring box with ground wire
ND	20 mm conduit with ground wire
NK	PG16 wiring box with ground wire

* Not to be used with 100, 800 and 900 Series manifold mounting

4. WIRE LENGTH (Common options for 100 & 200 Series)

- XX Y ZZ (-VV)	WIRE LENGTH
AA	45 cm - 18"
AB	60 cm - 24"
AD	90 cm - 36"
AE	120 cm - 48"
AF	180 cm - 72"
AG	15 cm - 6"
AR	30 cm - 12"
AU	305 cm - 120"
BA	152 cm - 60"
BB	366 cm - 144"

Series 6000 : wire length, delivered with the base

MOD L024	60 cm - 24"
MOD L036	91 cm - 36"
MOD L048	122 cm - 48"
MOD L060	152 cm - 60"
MOD L072	180 cm - 72"
MOD L120	305 cm - 120"



R e m o t e a i r v a l v e s

Individual mounting

inline

Manifold mounting

sub-base



R e m o t e a i r v a l v e s

Function	Port size	Flow [Max]	Individual mounting
3/2 NO-NC, 2/2 NO-NC	G1/8" - G1/4"	180 NI/Min	Inline

OPERATIONAL BENEFITS

1. Balanced poppet, immune to variations of pressure.
2. Short stroke with high flow.
3. Powerful return spring.
4. Maximum shifting forces.



HOW TO ORDER

Reset XXXXX-114

Port size	Universal valve	NC only valve
G1/8"	<input type="radio"/> 1116A-114	<input type="radio"/> 1166A-114
G1/4"	<input type="radio"/> 1117A-114	<input type="radio"/> 1167A-114

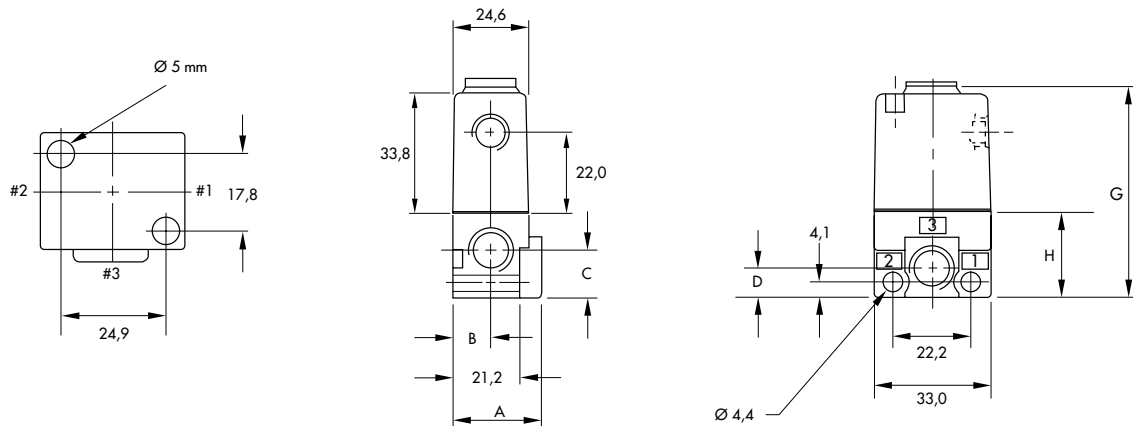
Air pilot port : G 1/8".

**TECHNICAL
DATA**

Fluid :	Compressed air, vacuum, inert gases
Pressure range :	Vacuum to 10 bar
Air signal pressure :	≥ 1.4 bar
Lubrication :	Not required, if used select a medium aniline point lubricant (between 80°C and 100°C)
Filtration :	40 µ
Temperature range :	-18°C to +50°C
Orifice :	2 mm
Flow (at 6 bar, ΔP=1bar) :	180 NI/min (C _v 0.18)
Leak rate :	50 cm ³ /min

Options : • NPTF threads.

DIMENSIONS



Port size	A	B	C	D	G	H
G1/8"	28,4	12,7	14,0	8,0	60,1	23,2
G1/4"	29,8	13,3	12,7	9,9	60,9	24,1

Function	Port size	Flow [Max]	Manifold mounting
3/2 NO-NC, 2/2 NO-NC	G 1/8"	140 NI/Min	sub-base

OPERATIONAL BENEFITS

1. Balanced poppet, immune to variations of pressure.
2. Short stroke with high flow.
3. Powerful return spring.
4. Maximum shifting forces.



HOW TO ORDER

Reset

XXXXX-114

Port size	Universal valve	NC only valve
Valve less base	○ 1130A-114	○ 1170A-114
Sub-base G 1/8"	○ 1136A-114	○ 1176A-114

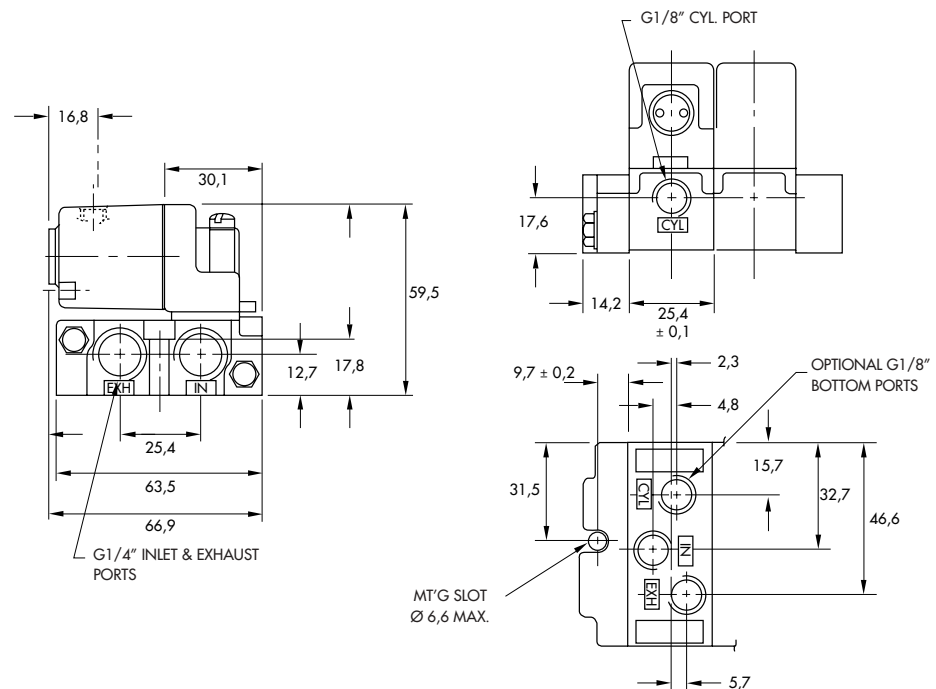
Air pilot port : G 1/8".
 End plate kit (G 1/4" ports) : A2-5004-01P.

TECHNICAL
DATA

Fluid :	Compressed air, vacuum, inert gases
Pressure range :	Vacuum to 10 bar
Air signal pressure :	≥ 1.4 bar
Lubrication :	Not required, if used select a medium aniline point lubricant (between 80°C and 100°C)
Filtration :	40 μ
Temperature range :	-18°C to +50°C
Orifice :	2 mm
Flow (at 6 bar, ΔP=1bar) :	G 1/8" : 140 NI/min (C _v 0.14)
Leak rate :	50 cm ³ /min

- Spare parts : • Function plate : A2-7009. • Pressure seal between bases : 16226. • Tie-rod (x2) : 19546.
- Options : • NPTF threads.

DIMENSIONS





R e m o t e a i r v a l v e s

Individual mounting

Inline

Function	Port size	Flow [Max]	Individual mounting
3/2 NO-NC, 2/2 NO-NC	G1/4" - G3/8"	2200 NI/Min	Inline

OPERATIONAL BENEFITS

1. Balanced spool, immune to variations of pressure.
2. Short stroke with high flow.
3. The piston (booster) provides maximum shifting forces.
4. Powerful return thanks to the combination of mechanical and air springs.
5. Bonded spool with minimum friction, shifting in a glass-like finished bore.
6. Wiping effect eliminates sticking.
7. Low leakage rate.



HOW TO ORDER

Reset

55B-xx-xx

Port size	Air spring	NC valve	NO valve
G1/4"	Internal	<input type="radio"/> 55B-13-RA	<input type="radio"/> 55B-23-RA
G3/8"	Internal	<input type="radio"/> 55B-14-RA	<input type="radio"/> 55B-24-RA
G1/4"	External	<input type="radio"/> 55B-13-RE	<input type="radio"/> 55B-23-RE
G3/8"	External	<input type="radio"/> 55B-14-RE	<input type="radio"/> 55B-24-RE

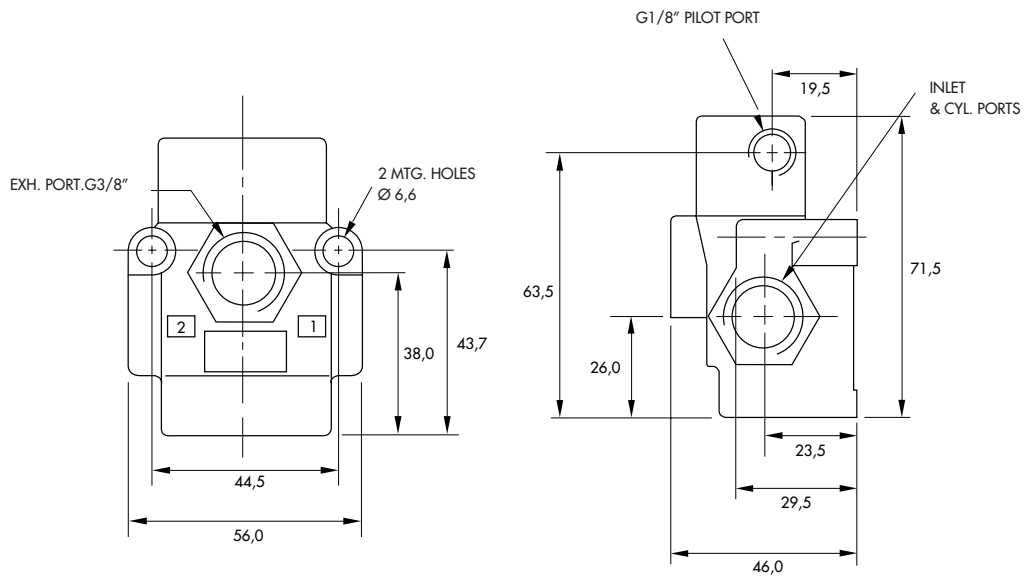
Air pilot port : G 1/8".

TECHNICAL
DATA

Fluid :	Compressed air, vacuum, inert gases
Pressure range :	Vacuum to 10 bar
Air signal pressure :	1.8 to 10 bar \geq main valve pressure
Lubrication :	Not required, if used select a medium aniline point lubricant (between 80°C and 100°C)
Filtration :	40 μ
Temperature range :	-18°C to +50°C
Orifice :	8 mm
Flow (at 6 bar, $\Delta P=1$ bar) :	G1/4" : 1400 Nl/min ($C_v 1.4$) - G 3/8" : 1600 Nl/min ($C_v 1.6$)
Leak rate :	50 cm ³ /min

- Spare parts : • Remote air operator : R-55001-01. • Check valve : 70061.
- Options : • NPTF threads.

DIMENSIONS





R e m o t e a i r v a l v e s

Individual mounting

Inline

Function	Port size	Flow [Max]	Individual mounting
3/2 NO-NC, 2/2 NO-NC	G3/8" - G1/2" - G3/4"	5700 NI/Min	Inline

OPERATIONAL BENEFITS

- Balanced spool, immune to variations of pressure.
- Short stroke with high flow.
- The piston (booster) provides maximum shifting forces.
- Powerful return thanks to the combination of mechanical and air springs.
- Bonded spool with minimum friction, shifting in a glass-like finished bore.
- Wiping effect eliminates sticking.
- Low leakage rate.



HOW TO ORDER

Reset

56C-xx-xx

Port size	Air spring	NC valve	NO valve
G3/8"	Internal	<input type="radio"/> 56C-55-RA	<input type="radio"/> 56C-85-RA
G1/2"		<input type="radio"/> 56C-56-RA	<input type="radio"/> 56C-86-RA
G3/4"		<input type="radio"/> 56C-58-RA	<input type="radio"/> 56C-88-RA
G3/8"	External	<input type="radio"/> 56C-55-RE	<input type="radio"/> 56C-85-RE
G1/2"		<input type="radio"/> 56C-56-RE	<input type="radio"/> 56C-86-RE
G3/4"		<input type="radio"/> 56C-58-RE	<input type="radio"/> 56C-88-RE

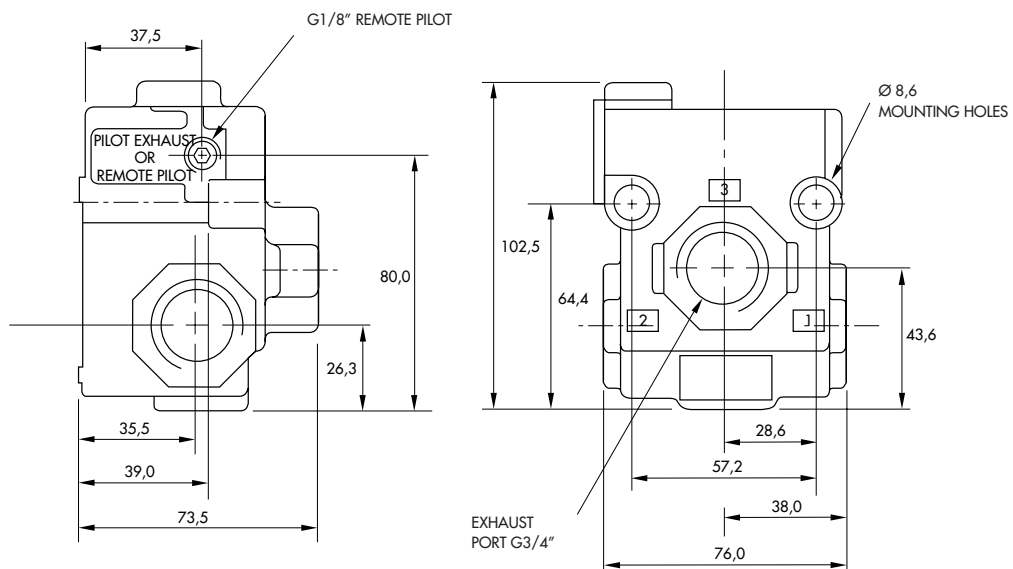
Air pilot port : G 1/8".

TECHNICAL
DATA

Fluid :	Compressed air, vacuum, inert gases
Pressure range :	Vacuum to 10 bar
Air signal pressure :	1.8 to 10 bar \geq main valve pressure
Lubrication :	Not required, if used select a medium aniline point lubricant (between 80°C and 100°C)
Filtration :	40 μ
Temperature range :	-18°C to +50°C
Orifice :	16 mm
Flow (at 6 bar, $\Delta P=1$ bar) :	G 3/8" : 4400 NI/min (C _v 4.4) - G 1/2" : 5000 NI/min (C _v 5.0) - G 3/4" : 5400 NI/min (C _v 5.4)
Leak rate :	70 cm ³ /min

- Spare parts : • Remote air operator : R-56001. • Check valve : 70063.
- Options : • NPTF threads.

DIMENSIONS





R e m o t e a i r v a l v e s

Individual mounting

Inline

Function	Port size	Flow [Max]	Individual mounting
3/2 NO-NC, 2/2 NO-NC	G1/2" - G3/4" - G1"	17400 NI/Min	Inline

OPERATIONAL BENEFITS

- Balanced spool, immune to variations of pressure.
- Short stroke with high flow.
- The piston (booster) provides maximum shifting forces.
- Powerful return thanks to the combination of mechanical and air springs.
- Bonded spool with minimum friction, shifting in a glass-like finished bore.
- Wiping effect eliminates sticking.
- Low leakage rate.



HOW TO ORDER

Reset

57C-xx-xx

Port size	Air spring	NC valve	NO valve
G1/2"	Internal	<input type="radio"/> 57C-54-RA	<input type="radio"/> 57C-84-RA
G3/4"		<input type="radio"/> 57C-55-RA	<input type="radio"/> 57C-85-RA
G1"		<input type="radio"/> 57C-56-RA	<input type="radio"/> 57C-86-RA
G1/2"	External	<input type="radio"/> 57C-54-RE	<input type="radio"/> 57C-84-RE
G3/4"		<input type="radio"/> 57C-55-RE	<input type="radio"/> 57C-85-RE
G1"		<input type="radio"/> 57C-56-RE	<input type="radio"/> 57C-86-RE

Air pilot port : G 1/8".

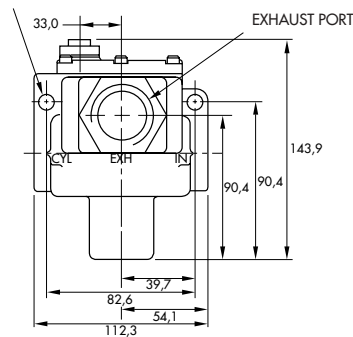
TECHNICAL
DATA

Fluid :	Compressed air, vacuum, inert gases
Pressure range :	Vacuum to 10 bar
Air signal pressure :	1.8 to 10 bar \geq main valve pressure
Lubrication :	Not required, if used select a medium aniline point lubricant (between 80°C and 100°C)
Filtration :	40 μ
Temperature range :	-18°C to +50°C
Orifice :	27 mm
Flow (at 6 bar, $\Delta P=1$ bar) :	G 1/2" : 9000 NI/min (C _v 9.0) - G 3/4" : 12700 NI/min (C _v 12.7) - G 1" : 15900 NI/min (C _v 15.9)
Leak rate :	100 cm ³ /min

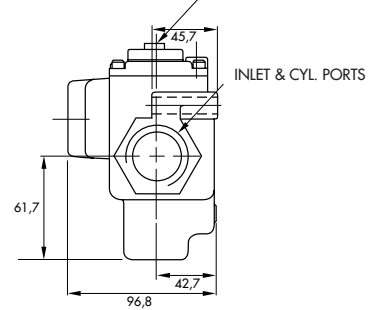
- Spare parts : • Remote air operator : R-59003. • Check valve : 70019.
- Options : • NPTF threads.

DIMENSIONS

Ø 8,6 MT'G HOLES



G1/8" REMOTE PILOT





R e m o t e a i r v a l v e s

Individual mounting

Inline

Function	Port size	Flow [Max]	Individual mounting
3/2 NO-NC, 2/2 NO-NC	G1" - G1 1/4" - G1 1/2"	24900 NI/Min	Inline

OPERATIONAL BENEFITS

1. Balanced spool, immune to variations of pressure.
2. Short stroke with high flow.
3. The piston (booster) provides maximum shifting forces.
4. Powerful return thanks to the combination of mechanical and air springs.
5. Bonded spool with minimum friction, shifting in a glass-like finished bore.
6. Wiping effect eliminates sticking.
7. Low leakage rate.



HOW TO ORDER

Reset

58C-xx-xx

Port size	Air spring	NC valve	NO valve
G1"	Internal	<input type="radio"/> 58C-54-RA	<input type="radio"/> 58C-84-RA
G1 1/4"		<input type="radio"/> 58C-55-RA	<input type="radio"/> 58C-85-RA
G1 1/2"		<input type="radio"/> 58C-56-RA	<input type="radio"/> 58C-86-RA
G1"	External	<input type="radio"/> 58C-54-RE	<input type="radio"/> 58C-84-RE
G1 1/4"		<input type="radio"/> 58C-55-RE	<input type="radio"/> 58C-85-RE
G1 1/2"		<input type="radio"/> 58C-56-RE	<input type="radio"/> 58C-86-RE

Air pilot port : G 1/8".

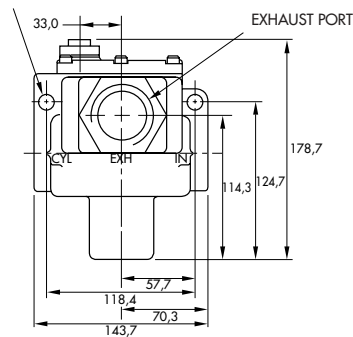
TECHNICAL
DATA

Fluid :	Compressed air, vacuum, inert gases
Pressure range :	Vacuum to 10 bar
Air signal pressure :	1.8 to 10 bar \geq main valve pressure
Lubrication :	Not required, if used select a medium aniline point lubricant (between 80°C and 100°C)
Filtration :	40 μ
Temperature range :	-18°C to +50°C
Orifice :	38 mm
Flow (at 6 bar, $\Delta P=1$bar) :	G 1" : 18700 NI/min (C _v 18.7) - G 1 1/4" : 23000 NI/min (C _v 23.0) - G 1 1/2" : 24900 NI/min (C _v 24.9)
Leak rate :	100 cm ³ /min

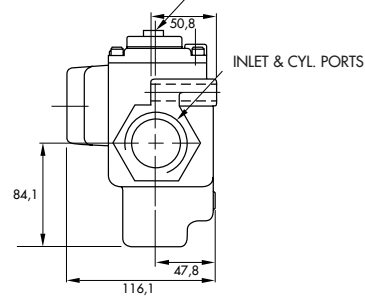
- Spare parts : • Remote air operator : R-59003. • Check valve : 70019.
- Options : • NPTF threads.

DIMENSIONS

Ø 13,5 MT'G HOLES



G1/8" REMOTE PILOT





R e m o t e a i r v a l v e s

Individual mounting

Inline

Function	Port size	Flow [Max]	Individual mounting
3/2 NO-NC, 2/2 NO-NC	G2" - G2 1/2"	60000 NI/Min	Inline

OPERATIONAL BENEFITS

1. Balanced spool, immune to variations of pressure.
2. Short stroke with high flow.
3. The piston (booster) provides maximum shifting forces.
4. Powerful return thanks to the combination of mechanical and air springs.
5. Bonded spool with minimum friction, shifting in a glass-like finished bore.
6. Wiping effect eliminates sticking.
7. Low leakage rate.



HOW TO ORDER

Reset

59B-xx-xx

Port size	Air spring	NC valve
G2"	Internal	 <input type="radio"/> 59B-55-RA <input type="radio"/> 59B-56-RA
G2 1/2"	External	<input type="radio"/> 59B-55-RE <input type="radio"/> 59B-56-RE

Air pilot port : G 1/8".

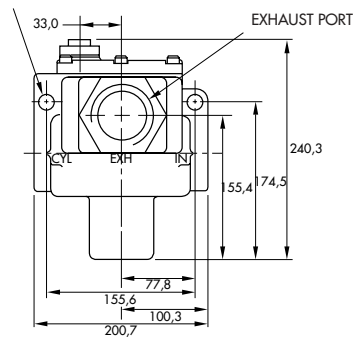
TECHNICAL
DATA

Fluid :	Compressed air, vacuum, inert gases
Pressure range :	Vacuum to 10 bar
Air signal pressure :	1.8 to 10 bar \geq main valve pressure
Lubrication :	Not required, if used select a medium aniline point lubricant (between 80°C and 100°C)
Filtration :	40 μ
Temperature range :	-18°C to +50°C
Orifice :	53 mm
Flow (at 6 bar, $\Delta P=1$ bar) :	G 2" : 55000 NI/min (C _v 55.0) - G 2 1/2" : 60000 NI/min (C _v 60.0)
Leak rate :	150 cm ³ /min

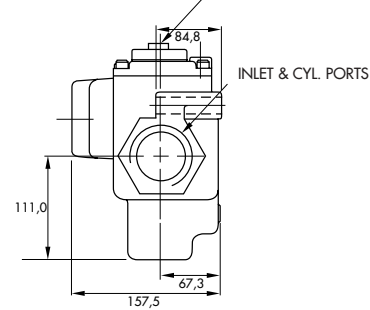
- Spare parts : • Remote air operator : R-59003. • Check valve : 70019.
- Options : • NPTF threads.

DIMENSIONS

Ø 13,5 MT'G HOLES



G1/8" REMOTE PILOT





R e m o t e a i r v a l v e s

Individual mounting

inline

Manifold mounting

stacking

Function	Port size	Flow [Max]	Individual mounting
4/2	G1/8" - G1/4"	700 NI/Min	Inline

OPERATIONAL BENEFITS

1. Balanced spool, immune to variations of pressure.
2. Short stroke with high flow.
3. The piston (booster) provides maximum shifting forces.
4. Powerful return thanks to the combination of mechanical and air springs.
5. Bonded spool with minimum friction, shifting in a glass-like finished bore.
6. Wiping effect eliminates sticking.
7. Low leakage rate.



HOW TO ORDER

Reset

XXXX-XX-XX

Port size	Single operator	Double operator
G1/8"	<input type="radio"/> 711C-13-RA	<input type="radio"/> 721C-13-RA
G1/4"	<input type="radio"/> 711C-14-RA	<input type="radio"/> 721C-14-RA

HOW TO ORDER VALVE WITH FLOW REGULATORS

Port size	Single operator	Double operator
G1/8"	<input type="radio"/> 712C-13-RA	<input type="radio"/> 722C-13-RA
G1/4"	<input type="radio"/> 712C-14-RA	<input type="radio"/> 722C-14-RA

Air pilot port : G 1/8".

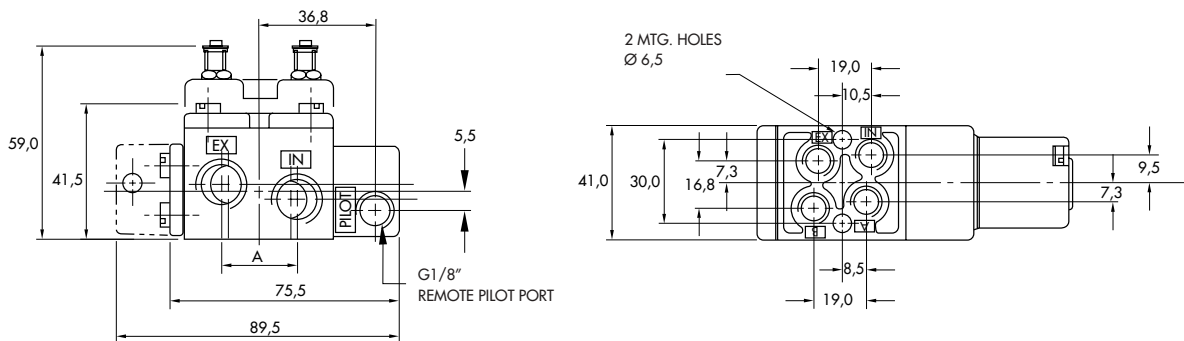
**TECHNICAL
DATA**

Fluid :	Compressed air, vacuum, inert gases
Pressure range :	Vacuum to 10 bar
Air signal pressure :	Single operator : 1.4 to 10 bar \geq main valve pressure Double operator : 0.7 to 10 bar
Lubrication :	Not required, if used select a medium aniline point lubricant (between 80°C and 100°C)
Filtration :	40 μ
Temperature range :	-18°C to +50°C
Orifice :	5.6 mm
Flow (at 6 bar, $\Delta P=1$ bar) :	G 1/8" : 600 Nl/min ($C_v 0.6$) - G 1/4" : 700 Nl/min ($C_v 0.7$)
Leak rate :	50 cm ³ /min

Spare parts : • Remote air operator : R-07002. • Valve cover plate with integral flow controls : N-07002.

Options : • NPTF threads.

DIMENSIONS



PORT SIZE	A
G1/8"	21,0
G1/4"	24,0

Function	Port size	Flow [Max]	Manifold mounting
4/2	G1/8" - G1/4"	800 NI/Min	stacking

OPERATIONAL BENEFITS

1. Balanced spool, immune to variations of pressure.
2. Short stroke with high flow.
3. The piston (booster) provides maximum shifting forces.
4. Powerful return thanks to the combination of mechanical and air springs.
5. Bonded spool with minimum friction, shifting in a glass-like finished bore.
6. Wiping effect eliminates sticking.
7. Low leakage rate.



HOW TO ORDER

Reset

XXXX-XX-XX

Port size	Single operator	Double operator
G1/8"	<input type="radio"/> 713C-13-RA	<input type="radio"/> 723C-13-RA
G1/4"	<input type="radio"/> 713C-14-RA	<input type="radio"/> 723C-14-RA

HOW TO ORDER VALVE WITH FLOW REGULATORS

Port size	Single operator	Double operator
G1/8"	<input type="radio"/> 714C-13-RA	<input type="radio"/> 724C-13-RA
G1/4"	<input type="radio"/> 714C-14-RA	<input type="radio"/> 724C-14-RA

End plate kit (Port size G1/4") : M-07001-01-01P, internal pilot.
M-07001-02-01P, External pilot.

Air pilot port : G 1/8".

**TECHNICAL
DATA**

Fluid :	Compressed air, vacuum, inert gases
Pressure range :	Vacuum to 10 bar
Air signal pressure :	Single operator : 1.4 to 10 bar \geq main valve pressure Double operator : 0.7 to 10 bar
Lubrication :	Not required, if used select a medium aniline point lubricant (between 80°C and 100°C)
Filtration :	40 μ
Temperature range :	-18°C to +50°C
Orifice :	5.6 mm
Flow (at 6 bar, $\Delta P=1$ bar) :	G 1/8" : 700 Nl/min ($C_v 0.7$) - G 1/4" : 800 Nl/min ($C_v 0.8$)
Leak rate :	50 cm ³ /min

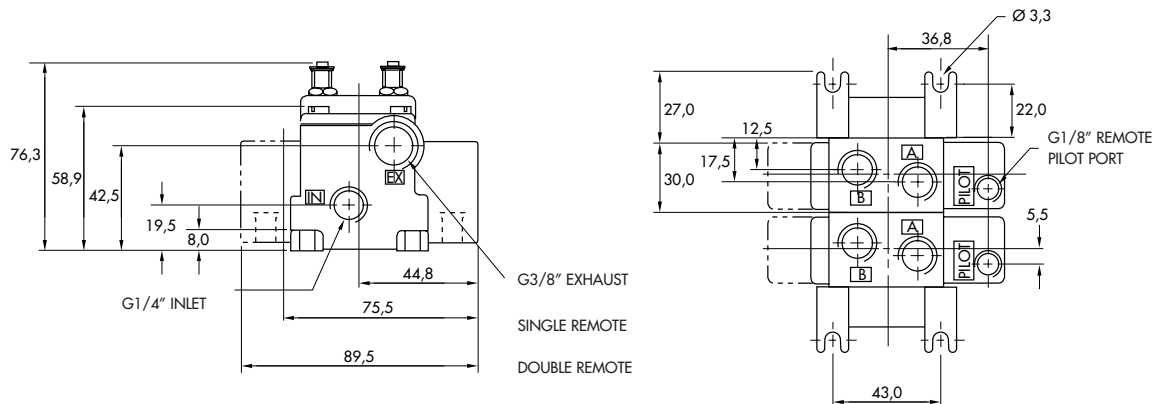
Spare parts :

- Remote air operator : R-07002. • Valve cover plate with integral flow controls : N-07004. • Pressure seal between valves : 16368. • Tie-rod (x2) : 19674.

Options :

- NPTF threads.

DIMENSIONS





R e m o t e a i r v a l v e s

Individual mounting

inline	
--------	--

Manifold mounting

stacking	
----------	--

Function	Port size	Flow [Max]	Individual mounting
4/2	G1/8" - G1/4"	1200 NI/Min	Inline

OPERATIONAL BENEFITS

1. Balanced spool, immune to variations of pressure.
2. Short stroke with high flow.
3. The piston (booster) provides maximum shifting forces.
4. Powerful return thanks to the combination of mechanical and air springs.
5. Bonded spool with minimum friction, shifting in a glass-like finished bore.
6. Wiping effect eliminates sticking.
7. Low leakage rate.



HOW TO ORDER

Reset

xxxx-RA

Port size	Single operator	Double operator
G1/8"	<input type="radio"/> 915B-RA	<input type="radio"/> 925B-RA
G1/4"	<input type="radio"/> 916B-RA	<input type="radio"/> 926B-RA

Air pilot port : G 1/8".

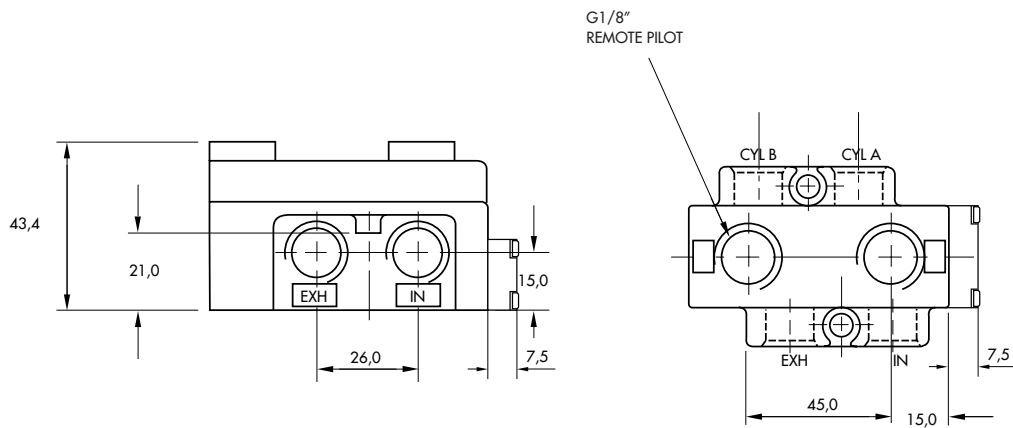
**TECHNICAL
DATA**

Fluid :	Compressed air, vacuum, inert gases
Pressure range :	Vacuum to 10 bar
Air signal pressure :	Single operator : 1.8 to 10 bar \geq main valve pressure Double operator : 0.7 to 10 bar
Lubrication :	Not required, if used select a medium aniline point lubricant (between 80°C and 100°C)
Filtration :	40 μ
Temperature range :	-18°C to +50°C
Orifice :	7 mm
Flow (at 6 bar, $\Delta P=1$ bar) :	G 1/8" : 800 NI/min ($C_v 0.8$) - G 1/4" : 1200 NI/min ($C_v 1.2$)
Leak rate :	50 cm ³ /min

Spare parts : • Remote air operator (single operator) : R-09002-01P. • Remote air operator (double operator) : R-09002-02P.

Options : • NPTF threads.

DIMENSIONS



Function	Port size	Flow [Max]	Manifold mounting
4/2	G1/8" - G1/4" - G3/8"	1200 NI/Min	stacking

OPERATIONAL BENEFITS

1. Balanced spool, immune to variations of pressure.
2. Short stroke with high flow.
3. The piston (booster) provides maximum shifting forces.
4. Powerful return thanks to the combination of mechanical and air springs.
5. Bonded spool with minimum friction, shifting in a glass-like finished bore.
6. Wiping effect eliminates sticking.
7. Low leakage rate.



HOW TO ORDER

Reset

xxxx-RA

Port size	Single operator	Double operator
G1/8"	<input type="radio"/> 917B-RA	<input type="radio"/> 927B-RA
G1/4"	<input type="radio"/> 918B-RA	<input type="radio"/> 928B-RA
G3/8"	<input type="radio"/> 919B-RA Mod 005	<input type="radio"/> 929B-RA Mod 005

Air pilot port : G 1/8".

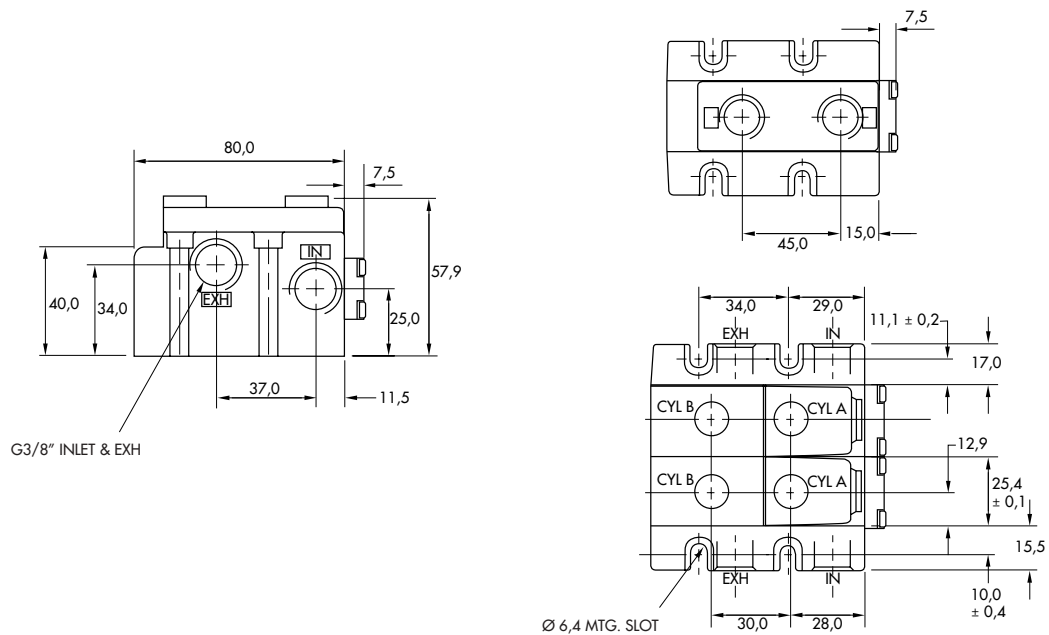
**TECHNICAL
DATA**

Fluid :	Compressed air, vacuum, inert gases
Pressure range :	Vacuum to 10 bar
Air signal pressure :	Single operator : 1.8 to 10 bar \geq main valve pressure Double operator : 0.7 to 10 bar
Lubrication :	Not required, if used select a medium aniline point lubricant (between 80°C and 100°C)
Filtration :	40 μ
Temperature range :	-18°C to +50°C
Orifice :	7 mm
Flow (at 6 bar, $\Delta P=1$ bar) :	G 1/8" : 800 NI/min ($C_v 0.8$) - G 1/4" - G 3/8" : 1200 NI/min ($C_v 1.2$)
Leak rate :	50 cm ³ /min

Spare parts :
 • Remote air operator (single operator) : R-09002-01P. • Remote air operator (double operator) : R-09002-02P.
 • Pressure seal between valves : 16358. • Tie-rod (x2) : 19615.

Options :
 • NPTF threads.

DIMENSIONS





R e m o t e a i r v a l v e s

Individual mounting



Manifold mounting



Function	Port size	Flow [Max]	Individual mounting
4/2 - 4/3	G1/8" - G1/4" - G3/8"	1350 NI/Min	sub-base

OPERATIONAL BENEFITS

- Balanced spool, immune to variations of pressure.
- Short stroke with high flow.
- The piston (booster) provides maximum shifting forces.
- Powerful return thanks to the combination of mechanical and air springs.
- Bonded spool with minimum friction, shifting in a glass-like finished bore.
- Wiping effect eliminates sticking.
- Low leakage rate.


HOW TO ORDER

Reset

82A-xx-xxx-RA

Port size	4/2 Single operator	4/2 Double operator	4/3 Closed centre	4/3 Open centre	4/3 Pressure centre
Valve less base	<input type="radio"/> 82A-AB-000-RA	<input type="radio"/> 82A-BB-000-RA	<input type="radio"/> 82A-EB-000-RA	<input type="radio"/> 82A-FB-000-RA	<input type="radio"/> 82A-GB-000-RA
Sub-base G1/8"	<input type="radio"/> 82A-AB-DAA-RA	<input type="radio"/> 82A-BB-DAD-RA	<input type="radio"/> 82A-EB-DAD-RA	<input type="radio"/> 82A-FB-DAD-RA	<input type="radio"/> 82A-GB-DAD-RA
Sub-base G1/4"	<input type="radio"/> 82A-AB-EAA-RA	<input type="radio"/> 82A-BB-EAD-RA	<input type="radio"/> 82A-EB-EAD-RA	<input type="radio"/> 82A-FB-EAD-RA	<input type="radio"/> 82A-GB-EAD-RA
Sub-base G3/8"	<input type="radio"/> 82A-AB-FAA-RA	<input type="radio"/> 82A-BB-FAD-RA	<input type="radio"/> 82A-EB-FAD-RA	<input type="radio"/> 82A-FB-FAD-RA	<input type="radio"/> 82A-GB-FAD-RA

OPTIONS

82A-AB-000-RA

 click for dual pressure valves (replace A by C, B by D, E by M, F by L, G by H).

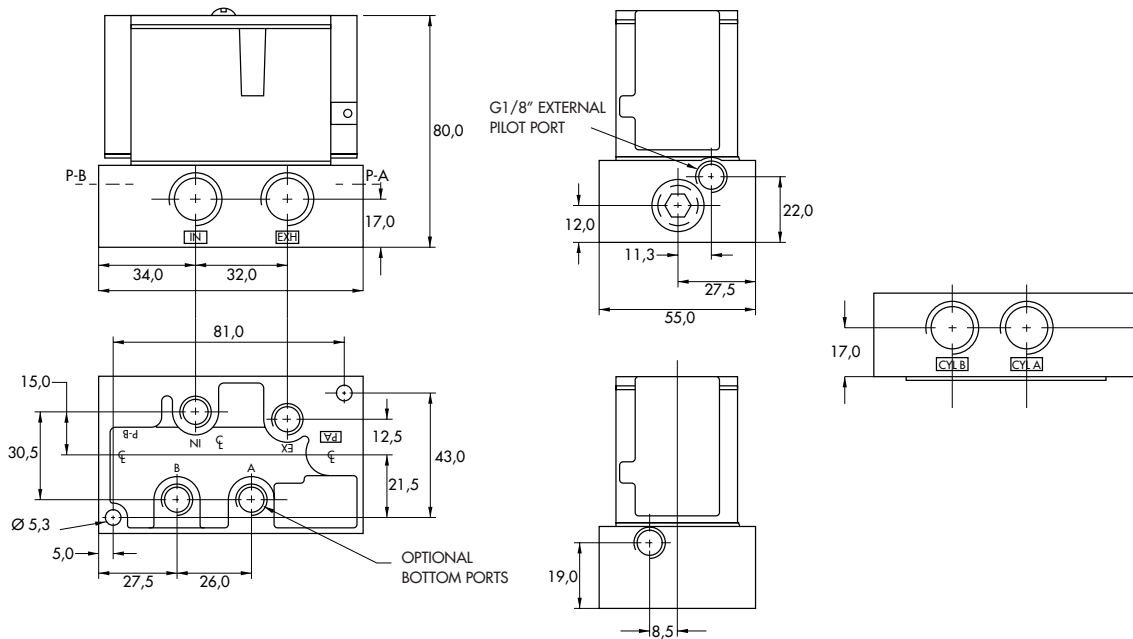
TECHNICAL DATA

Fluid :	Compressed air, vacuum, inert gases
Pressure range :	Vacuum to 10 bar
Air signal pressure :	Single operator and 3 positions : 1.8 to 10 bar \geq main valve pressure Double operator : 0.7 to 10 bar
Lubrication :	Not required, if used select a medium aniline point lubricant (between 80°C and 100°C)
Filtration :	40 μ
Temperature range :	-18°C to +50°C
Orifice :	7 mm
Flow (at 6 bar, $\Delta P=1$bar) :	G 1/8" : 900 NI/min (C_v 0.9) - G 1/4" : 1300 NI/min (C_v 1.3) - G 3/8" : 1350 NI/min (C_v 1.35)
Leak rate :	100 cm ³ /min

Spare parts : • Remote air operator : 30387.

Options : • NPTF threads.

DIMENSIONS



Function	Port size	Flow [Max]	Manifold mounting
4/2 - 4/3	G1/4" - G3/8"	1350 NI/Min	sub-base

OPERATIONAL BENEFITS

- Balanced spool, immune to variations of pressure.
- Short stroke with high flow.
- The piston (booster) provides maximum shifting forces.
- Powerful return thanks to the combination of mechanical and air springs.
- Bonded spool with minimum friction, shifting in a glass-like finished bore.
- Wiping effect eliminates sticking.
- Low leakage rate.


HOW TO ORDER

Reset

82A-xx-xxx-TM-RA14

Port size	Pilot air	4/2 Single operator	4/2 Double operator	4/3 Closed centre	4/3 Open centre	4/3 Pressure centre
Valve less base	Internal only	<input type="radio"/> 82A-AB-000-TM-RA14	<input type="radio"/> 82A-BB-000-TM-RA14	<input type="radio"/> 82A-EB-000-TM-RA14	<input type="radio"/> 82A-FB-000-TM-RA14	<input type="radio"/> 82A-GB-000-TM-RA14
Sub-base G1/4"	Internal	<input type="radio"/> 82A-AB-EKA-TM-RA14	<input type="radio"/> 82A-BB-EKA-TM-RA14	<input type="radio"/> 82A-EB-EKA-TM-RA14	<input type="radio"/> 82A-FB-EKA-TM-RA14	<input type="radio"/> 82A-GB-EKA-TM-RA14
	External	<input type="radio"/> 82A-AB-EKD-TM-RA14	<input type="radio"/> 82A-BB-EKD-TM-RA14	<input type="radio"/> 82A-EB-EKD-TM-RA14	<input type="radio"/> 82A-FB-EKD-TM-RA14	<input type="radio"/> 82A-GB-EKD-TM-RA14
Sub-base G3/8"	Internal	<input type="radio"/> 82A-AB-FKA-TM-RA14	<input type="radio"/> 82A-BB-FKA-TM-RA14	<input type="radio"/> 82A-EB-FKA-TM-RA14	<input type="radio"/> 82A-FB-FKA-TM-RA14	<input type="radio"/> 82A-GB-FKA-TM-RA14
	External	<input type="radio"/> 82A-AB-FKD-TM-RA14	<input type="radio"/> 82A-BB-FKD-TM-RA14	<input type="radio"/> 82A-EB-FKD-TM-RA14	<input type="radio"/> 82A-FB-FKD-TM-RA14	<input type="radio"/> 82A-GB-FKD-TM-RA14

OPTIONS

82A-AB-000-TM-RA14

 click for dual pressure valves (replace A by C, B by D, E by M, F by L, G by H).

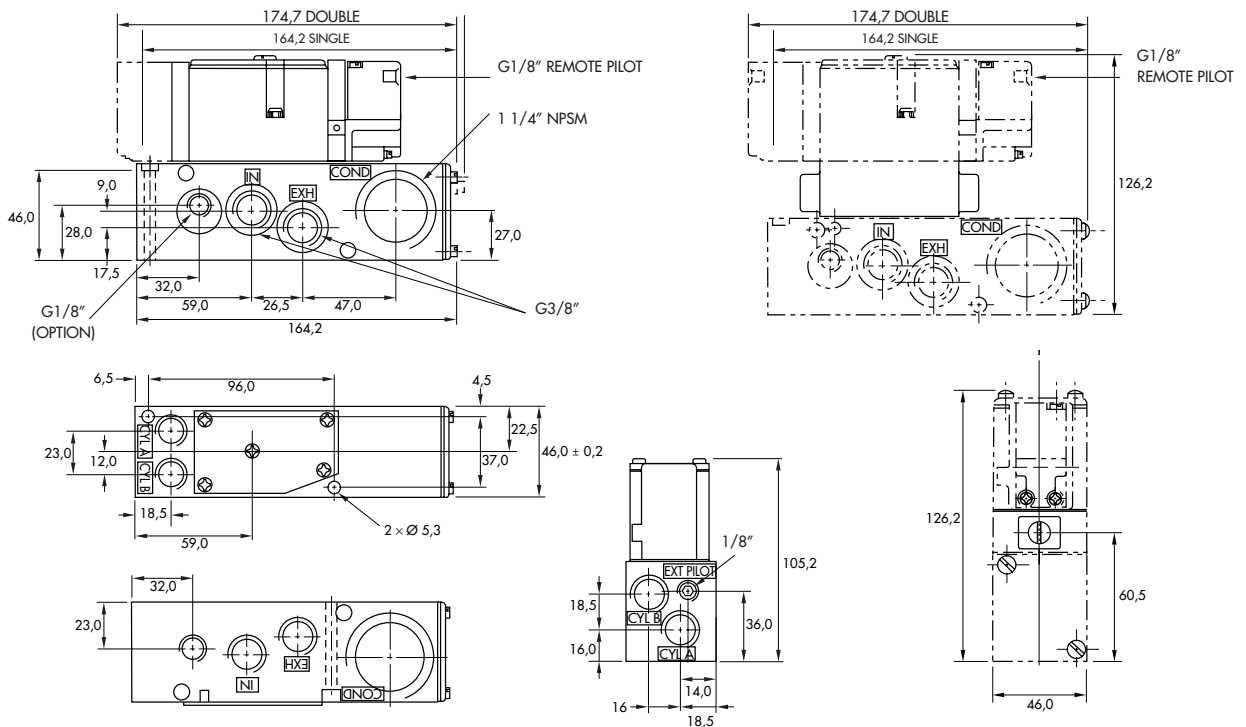
TECHNICAL DATA

Fluid :	Compressed air, vacuum, inert gases
Pressure range :	Vacuum to 10 bar
Air signal pressure :	Single operator and 3 positions : 1.8 to 10 bar \geq main valve pressure Double operator : 0.7 to 10 bar
Lubrication :	Not required, if used select a medium aniline point lubricant (between 80°C and 100°C)
Filtration :	40 μ
Temperature range :	-18°C to +50°C
Orifice :	7 mm
Flow (at 6 bar, $\Delta P=1$bar) :	G 1/4" : 1300 NI/min (C_v 1.3) - G 3/8" : 1350 NI/min (C_v 1.35)
Leak rate :	100 cm ³ /min

Spare parts : • Remote air operated pilot : TM-RA14.

Options : • NPTF threads.

DIMENSIONS





R e m o t e a i r v a l v e s

Individual mounting



Manifold mounting



Function	Port size	Flow [Max]	Individual mounting
4/2 - 4/3	G1/4" - G3/8"	1600 NI/Min	sub-base

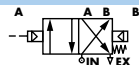
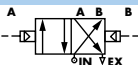
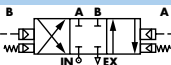
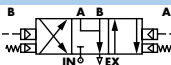
OPERATIONAL BENEFITS

1. Balanced spool, immune to variations of pressure.
2. Short stroke with high flow.
3. The piston (booster) provides maximum shifting forces.
4. Powerful return thanks to the combination of mechanical and air springs.
5. Bonded spool with minimum friction, shifting in a glass-like finished bore.
6. Wiping effect eliminates sticking.
7. Low leakage rate.



HOW TO ORDER

Reset **XXXXX-XXX-RA**

Port size	4/2 Single operator	4/2 Double operator	4/3 Closed centre	4/3 Open centre
				
Valve less base	<input type="radio"/> 6212C-000-RA	<input type="radio"/> 6222C-000-RA	<input type="radio"/> 6232C-000-RA	<input type="radio"/> 6242C-000-RA
Sub-base G1/4"	<input type="radio"/> 6212C-171-RA	<input type="radio"/> 6222C-181-RA	<input type="radio"/> 6232C-181-RA	<input type="radio"/> 6242C-181-RA
Sub-base G3/8"	<input type="radio"/> 6212C-271-RA	<input type="radio"/> 6222C-281-RA	<input type="radio"/> 6232C-281-RA	<input type="radio"/> 6242C-281-RA

OPTIONS

6212C-000-RA click for bottom cylinder ports (replace by 4).

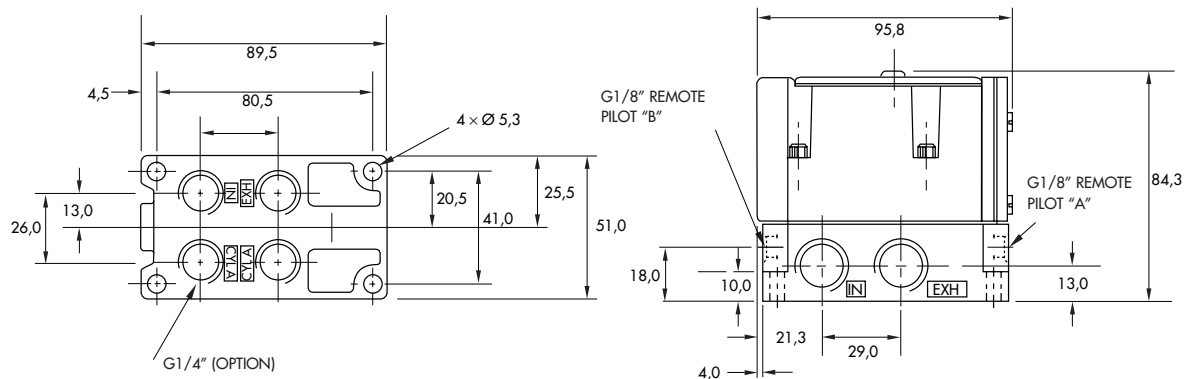
**TECHNICAL
DATA**

Fluid :	Compressed air, vacuum, inert gases
Pressure range :	Vacuum to 10 bar
Air signal pressure :	Single operator and 3 positions : 1.8 to 10 bar \geq main valve pressure Double operator : 0.7 to 10 bar
Lubrication :	Not required, if used select a medium aniline point lubricant (between 80°C and 100°C)
Filtration :	40 μ
Temperature range :	-18°C to +50°C
Orifice :	7 mm
Flow (at 6 bar, $\Delta P=1$bar) :	G 1/4" : 1500 Nl/min (C_v 1.5) - G 3/8" : 1600 Nl/min (C_v 1.6)
Leak rate :	100 cm ³ /min

Spare parts : • Remote air operator (A side) : R-62004A. • Remote air operator (B side) : R-62005A.
 • Seal between valve and base : 16316. • Mounting screw valve to base (x4) : 35211.

Options : • NPTF threads.

DIMENSIONS



Function	Port size	Flow [Max]	Manifold mounting
4/2 - 4/3	G1/4" - G3/8"	1600 NI/Min	sub-base

OPERATIONAL BENEFITS

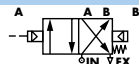
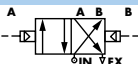
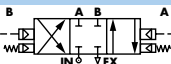

1. Balanced spool, immune to variations of pressure.
2. Short stroke with high flow.
3. The piston (booster) provides maximum shifting forces.
4. Powerful return thanks to the combination of mechanical and air springs.
5. Bonded spool with minimum friction, shifting in a glass-like finished bore.
6. Wiping effect eliminates sticking.
7. Low leakage rate.



HOW TO ORDER

Reset

XXXXX-XXX-RA

Port size	4/2 Single operator	4/2 Double operator	4/3 Closed centre	4/3 Open centre
				
Valve less base	<input checked="" type="radio"/> 6212C-000-RA	<input type="radio"/> 6222C-000-RA	<input type="radio"/> 6232C-000-RA	<input type="radio"/> 6242C-000-RA
Sub-base G1/4"	<input type="radio"/> 6212C-471-RA	<input type="radio"/> 6222C-481-RA	<input type="radio"/> 6232C-481-RA	<input type="radio"/> 6242C-481-RA
Sub-base G3/8"	<input type="radio"/> 6212C-571-RA	<input type="radio"/> 6222C-581-RA	<input type="radio"/> 6232C-581-RA	<input type="radio"/> 6242C-581-RA

OPTIONS

6212C-000-RA

click for bottom cylinder ports (replace by 4).

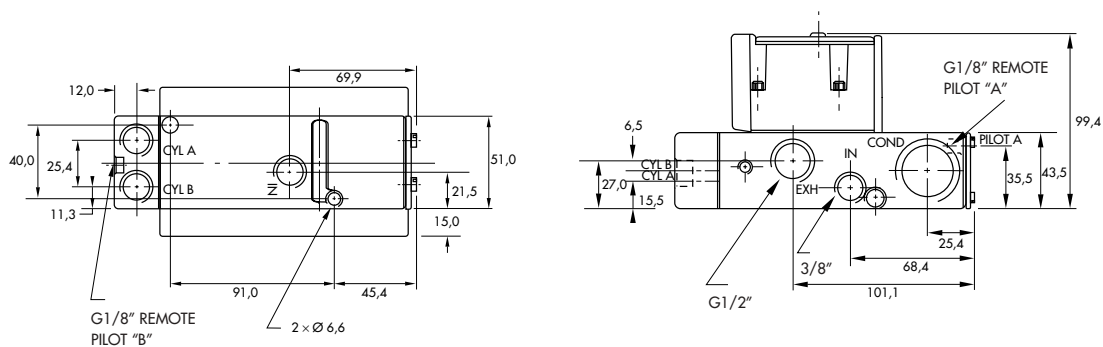
TECHNICAL
DATA

Fluid :	Compressed air, vacuum, inert gases
Pressure range :	Vacuum to 10 bar
Air signal pressure :	Single operator and 3 positions : 1.8 to 10 bar \geq main valve pressure Double operator : 0.7 to 10 bar
Lubrication :	Not required, if used select a medium aniline point lubricant (between 80°C and 100°C)
Filtration :	40 μ
Temperature range :	-18°C to +50°C
Orifice :	7 mm
Flow (at 6 bar, $\Delta P=1$ bar) :	G 1/4" : 1500 NI/min (C_v 1.5) - G 3/8" : 1600 NI/min (C_v 1.6)
Leak rate :	100 cm ³ /min

Spare parts : • Remote air operator (A side) : R-62004A. • Remote air operator (B side) : R-62005A. • Seal between valve and base : 16298.
 • Mounting screw valve to base (x4) : 35303. • Tie-rod (x2) : 19630.

Options : • NPTF threads.

DIMENSIONS





R e m o t e a i r v a l v e s

Individual mounting



Manifold mounting



Function	Port size	Flow [Max]	Individual mounting
4/2 - 4/3	G1/4" - G3/8" - G1/2"	3000 NI/Min	sub-base

OPERATIONAL BENEFITS

1. Balanced spool, immune to variations of pressure.
2. Short stroke with high flow.
3. The piston (booster) provides maximum shifting forces.
4. Powerful return thanks to the combination of mechanical and air springs.
5. Bonded spool with minimum friction, shifting in a glass-like finished bore.
6. Wiping effect eliminates sticking.
7. Low leakage rate.



HOW TO ORDER

Reset **XXXXX-XXX-RA**

Port size	4/2 Single operator	4/2 Double operator	4/3 Closed centre	4/3 Open centre
Valve less base	<input type="radio"/> 6312D-000-RA	<input type="radio"/> 6322D-000-RA	<input type="radio"/> 6332D-000-RA	<input type="radio"/> 6342D-000-RA
Sub-base G1/4"	<input type="radio"/> 6312D-171-RA	<input type="radio"/> 6322D-181-RA	<input type="radio"/> 6332D-181-RA	<input type="radio"/> 6342D-181-RA
Sub-base G3/8"	<input type="radio"/> 6312D-271-RA	<input type="radio"/> 6322D-281-RA	<input type="radio"/> 6332D-281-RA	<input type="radio"/> 6342D-281-RA
Sub-base G1/2"	<input type="radio"/> 6312D-371-RA	<input type="radio"/> 6322D-381-RA	<input type="radio"/> 6332D-381-RA	<input type="radio"/> 6342D-381-RA

OPTIONS

- 6312D-000-RA
- click for bottom cylinder ports (excluding G 1/2") (replace by 4).
 - click for dual pressure valves (replace by 5).

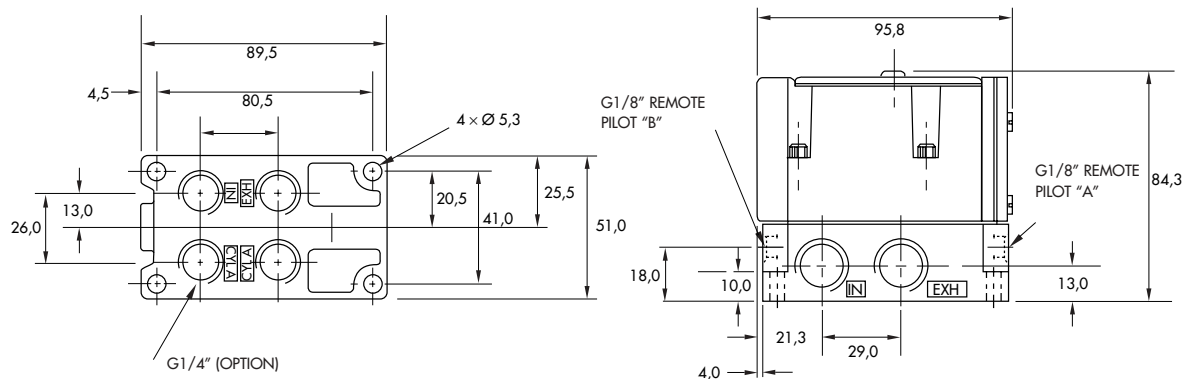
**TECHNICAL
DATA**

Fluid :	Compressed air, vacuum, inert gases
Pressure range :	Vacuum to 10 bar
Air signal pressure :	Single operator and 3 positions : 1.8 to 10 bar \geq main valve pressure Double operator . : 0.7 to 10 bar
Lubrication :	Not required, if used select a medium aniline point lubricant (between 80°C and 100°C)
Filtration :	40 μ
Temperature range :	-18°C to +50°C
Orifice :	11 mm
Flow (at 6 bar, $\Delta P=1$bar) :	G 1/4" : 2000 NI/min (C _v 2.0) - G 3/8" : 2600 NI/min (C _v 2.6) - G 1/2" : 3000 NI/min (C _v 3.0)
Leak rate :	100 cm ³ /min

Spare parts : • Remote air operator (A side) : R-63004A. • Remote air operator (B side) : R-63005A.
 • Seal between valve and base : 16298. • Mounting screw valve to base (x4) : 35303.

Options : • NPTF threads.

DIMENSIONS



Function	Port size	Flow [Max]	Manifold mounting
4/2 - 4/3	G1/4" - G3/8" - G1/2"	3000 NI/Min	sub-base

OPERATIONAL BENEFITS

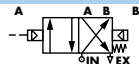
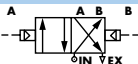
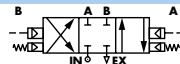
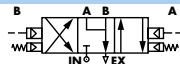
1. Balanced spool, immune to variations of pressure.
2. Short stroke with high flow.
3. The piston (booster) provides maximum shifting forces.
4. Powerful return thanks to the combination of mechanical and air springs.
5. Bonded spool with minimum friction, shifting in a glass-like finished bore.
6. Wiping effect eliminates sticking.
7. Low leakage rate.



HOW TO ORDER

Reset

xxxxx-xxx-RA

Port size	4/2 Single operator	4/2 Double operator	4/3 Closed centre	4/3 Open centre
				
Valve less base	<input checked="" type="radio"/> 6312D-000-RA	<input type="radio"/> 6322D-000-RA	<input type="radio"/> 6332D-000-RA	<input type="radio"/> 6342D-000-RA
Sub-base G1/4"	<input type="radio"/> 6312D-471-RA	<input type="radio"/> 6322D-481-RA	<input type="radio"/> 6332D-481-RA	<input type="radio"/> 6342D-481-RA
Sub-base G3/8"	<input type="radio"/> 6312D-571-RA	<input type="radio"/> 6322D-581-RA	<input type="radio"/> 6332D-581-RA	<input type="radio"/> 6342D-581-RA
Sub-base G1/2"	<input type="radio"/> 6312D-671-RA	<input type="radio"/> 6322D-681-RA	<input type="radio"/> 6332D-681-RA	<input type="radio"/> 6342D-681-RA

OPTIONS

6312D-000-RA

- click for bottom cylinder ports (excluding G 1/2") (replace by 4).
- click for dual pressure valves (replace by 5).

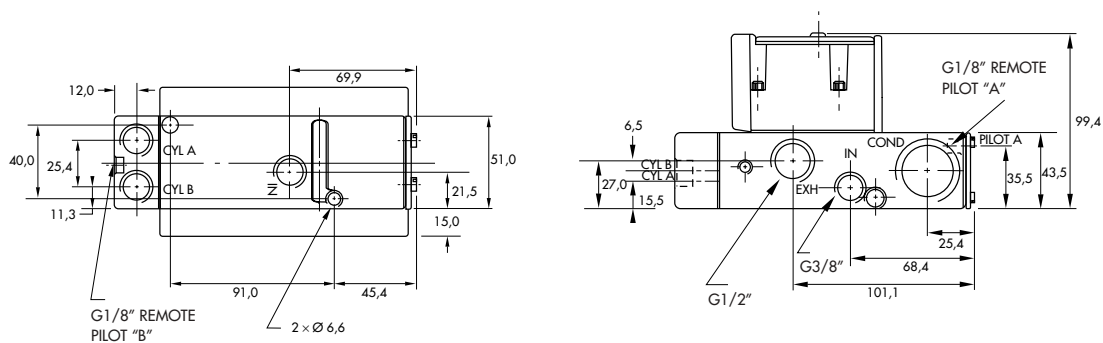
TECHNICAL
DATA

Fluid :	Compressed air, vacuum, inert gases
Pressure range :	Vacuum to 10 bar
Air signal pressure :	Single operator and 3 positions : 1.8 to 10 bar \geq main valve pressure Double operator : 0.7 to 10 bar
Lubrication :	Not required, if used select a medium aniline point lubricant (between 80°C and 100°C)
Filtration :	40 μ
Temperature range :	-18°C to +50°C
Orifice :	11 mm
Flow (at 6 bar, $\Delta P=1$ bar) :	G 1/4" : 2000 Nl/min (C _v 2.0) - G 3/8" : 2600 Nl/min (C _v 2.6) - G 1/2" : 3000 Nl/min (C _v 3.0)
Leak rate :	100 cm ³ /min

Spare parts : • Remote air operator (A side) : R-63004A. • Remote air operator (B side) : R-63005A. • Seal between valve and base : 16298.
 • Mounting screw valve to base (x4) : 35303. • Tie-rod (x2) : 19624.

Options : • NPTF threads.

DIMENSIONS





R e m o t e a i r v a l v e s

Individual mounting



Manifold mounting



Function	Port size	Flow [Max]	Individual mounting
4/2 - 4/3	G3/8" - G1/2" - G3/4"	5100 NI/Min	sub-base

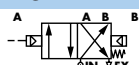
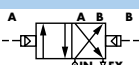


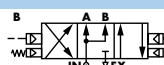
OPERATIONAL BENEFITS

1. Balanced spool, immune to variations of pressure.
2. Short stroke with high flow.
3. The piston (booster) provides maximum shifting forces.
4. Powerful return thanks to the combination of mechanical and air springs.
5. Bonded spool with minimum friction, shifting in a glass-like finished bore.
6. Wiping effect eliminates sticking.
7. Low leakage rate.



HOW TO ORDER

Reset **xxxxx-xxx-RA**

Port size	4/2 Single operator	4/2 Double operator	4/3 Closed centre	4/3 Open centre	4/3 Pressure centre
					
Valve less base	<input type="radio"/> 6512B-000-RA	<input type="radio"/> 6522B-000-RA	<input type="radio"/> 6532B-000-RA	<input type="radio"/> 6542B-000-RA	<input type="radio"/> 6552B-000-RA
Sub-base G3/8"	<input type="radio"/> 6512B-171-RA	<input type="radio"/> 6522B-181-RA	<input type="radio"/> 6532B-181-RA	<input type="radio"/> 6542B-181-RA	<input type="radio"/> 6552B-181-RA
Sub-base G1/2"	<input type="radio"/> 6512B-271-RA	<input type="radio"/> 6522B-281-RA	<input type="radio"/> 6532B-281-RA	<input type="radio"/> 6542B-281-RA	<input type="radio"/> 6552B-281-RA
Sub-base G3/4"	<input type="radio"/> 6512B-371-RA	<input type="radio"/> 6522B-381-RA	<input type="radio"/> 6532B-381-RA	<input type="radio"/> 6542B-381-RA	<input type="radio"/> 6552B-381-RA

OPTIONS

6512B-000-RA click for dual pressure valves (replace by 4).

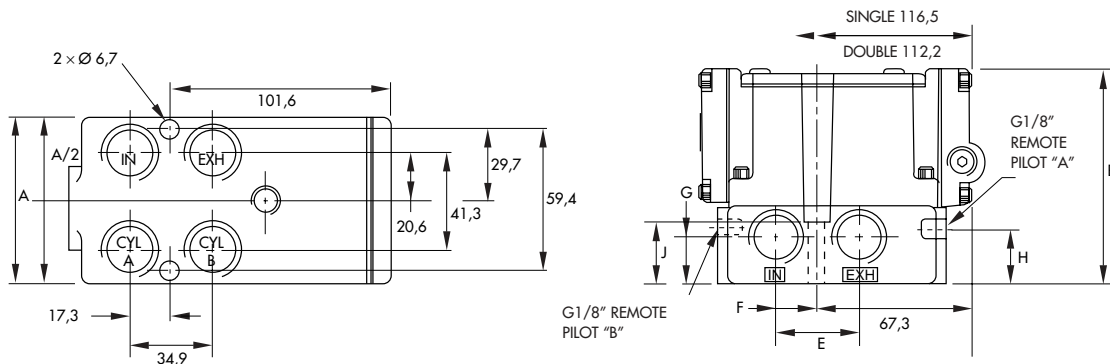
TECHNICAL
DATA

Fluid :	Compressed air, vacuum, inert gases
Pressure range :	Vacuum to 10 bar
Air signal pressure :	Single operator and 3 positions : 1.8 to 10 bar \geq main valve pressure Double operator : 0.7 to 10 bar
Lubrication :	Not required, if used select a medium aniline point lubricant (between 80°C and 100°C)
Filtration :	40 μ
Temperature range :	-18°C to +50°C
Orifice :	19 mm
Flow (at 6 bar, $\Delta P=1$ bar) :	G 3/8" : 4500 NI/min (C _v 4.5) - G 1/2" : 5000 NI/min (C _v 5.0) - G 3/4" : 5100 NI/min (C _v 5.1)
Leak rate :	100 cm ³ /min

Spare parts : • Remote air operator : R-00008. • Seal between valve and base : 16246. • Mounting screw valve to base (x4) : 32201.
• NPTF threads.

Options :

DIMENSIONS



PORT SIZE	A	B	E	F	G	H	J
G3/8" & G1/2"	69,6	97,4	36,0	17,9	19,0	23,6	25,4
G3/4"	94,5	109,3	40,1	19,2	20,8	35,9	36,6

Function	Port size	Flow [Max]	Manifold mounting
4/2 - 4/3	G3/8" - G1/2" - G3/4"	5100 NI/Min	sub-base

OPERATIONAL BENEFITS

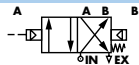
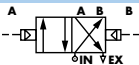
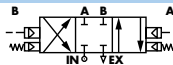
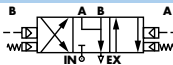

1. Balanced spool, immune to variations of pressure.
2. Short stroke with high flow.
3. The piston (booster) provides maximum shifting forces.
4. Powerful return thanks to the combination of mechanical and air springs.
5. Bonded spool with minimum friction, shifting in a glass-like finished bore.
6. Wiping effect eliminates sticking.
7. Low leakage rate.



HOW TO ORDER

Reset

XXXXX-XXX-RA

Port size	4/2 Single operator	4/2 Double operator	4/3 Closed centre	4/3 Open centre	4/3 Pressure centre
					
Valve less base	<input type="radio"/> 6512B-000-RA	<input type="radio"/> 6522B-000-RA	<input type="radio"/> 6532B-000-RA	<input type="radio"/> 6542B-000-RA	<input type="radio"/> 6552B-000-RA
Sub-base G3/8"	<input type="radio"/> 6512B-471-RA	<input type="radio"/> 6522B-481-RA	<input type="radio"/> 6532B-481-RA	<input type="radio"/> 6542B-481-RA	<input type="radio"/> 6552B-481-RA
Sub-base G1/2"	<input type="radio"/> 6512B-571-RA	<input type="radio"/> 6522B-581-RA	<input type="radio"/> 6532B-581-RA	<input type="radio"/> 6542B-581-RA	<input type="radio"/> 6552B-581-RA
Sub-base G3/4"	<input type="radio"/> 6512B-671-RA	<input type="radio"/> 6522B-681-RA	<input type="radio"/> 6532B-681-RA	<input type="radio"/> 6542B-681-RA	<input type="radio"/> 6552B-681-RA

OPTIONS

6512B-000-RA

click for dual pressure valves (excluding G 3/4") (replace by 4).

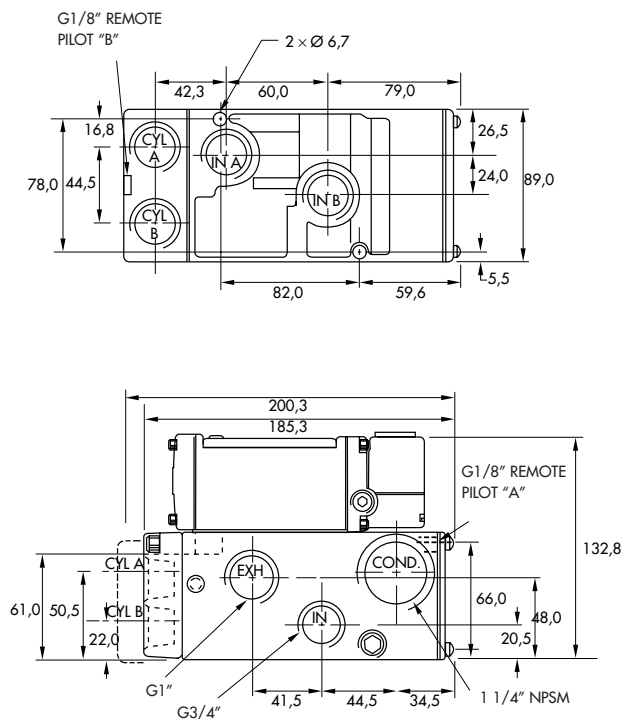
TECHNICAL
DATA

Fluid :	Compressed air, vacuum, inert gases
Pressure range :	Vacuum to 10 bar
Air signal pressure :	Single operator and 3 positions : 1.8 to 10 bar \geq main valve pressure Double operator : 0.7 to 10 bar
Lubrication :	Not required, if used select a medium aniline point lubricant (between 80°C and 100°C)
Filtration :	40 μ
Temperature range :	-18°C to +50°C
Orifice :	19 mm
Flow (at 6 bar, $\Delta P=1$bar) :	G 3/8" : 4500 NI/min (C _v 4.5) - G 1/2" : 5000 NI/min (C _v 5.0) - G 3/4" : 5100 NI/min (C _v 5.1)
Leak rate :	100 cm ³ /min

Spare parts : • Remote air operator : R-00008. • Seal between valve and base : 16246.
 • Mounting screw valve to base (x4) : 32201. • Tie-rod (x2) : 19540.

Options : • NPTF threads.

DIMENSIONS





R e m o t e a i r v a l v e s

Individual mounting



Manifold mounting



Function	Port size	Flow [Max]	Individual mounting
4/2 - 4/3	G3/4" - G1"	9600 NI/Min	sub-base

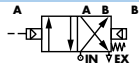
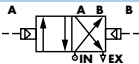
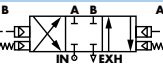


OPERATIONAL BENEFITS

1. Balanced spool, immune to variations of pressure.
2. Short stroke with high flow.
3. The piston (booster) provides maximum shifting forces.
4. Powerful return thanks to the combination of mechanical and air springs.
5. Bonded spool with minimum friction, shifting in a glass-like finished bore.
6. Wiping effect eliminates sticking.
7. Low leakage rate.



HOW TO ORDER

Reset XXXXX-xxx-RA

Port size	4/2 Single operator	4/2 Double operator	4/3 Closed centre	4/3 Open centre	4/3 Pressure centre
					
Valve less base	<input type="radio"/> 6612A-000-RA	<input type="radio"/> 6622A-000-RA	<input type="radio"/> 6632A-000-RA	<input type="radio"/> 6642A-000-RA	<input type="radio"/> 6652A-000-RA
Sub-base G3/4"	<input type="radio"/> 6612A-271-RA	<input type="radio"/> 6622A-281-RA	<input type="radio"/> 6632A-281-RA	<input type="radio"/> 6642A-281-RA	<input type="radio"/> 6652A-281-RA
Sub-base G1"	<input type="radio"/> 6612A-371-RA	<input type="radio"/> 6622A-381-RA	<input type="radio"/> 6632A-381-RA	<input type="radio"/> 6642A-381-RA	<input type="radio"/> 6652A-381-RA

OPTIONS

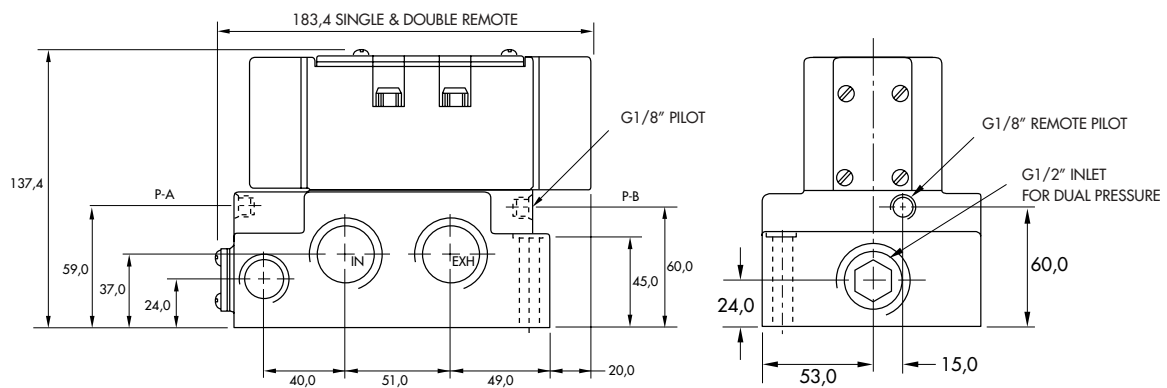
6612A-000-RA click for dual pressure valves (replace by 4).

TECHNICAL
DATA

Fluid :	Compressed air, vacuum, inert gases
Pressure range :	Vacuum to 10 bar
Air signal pressure :	Single operator and 3 positions : 1.8 to 10 bar \geq main valve pressure Double operator : 0.7 to 10 bar
Lubrication :	Not required, if used select a medium aniline point lubricant (between 80°C and 100°C)
Filtration :	40 μ
Temperature range :	-18°C to +50°C
Orifice :	24 mm
Flow (at 6 bar, $\Delta P=1$ bar) :	G 3/4" : 9000 NI/min (C _v 9.0) - G 1" : 9600 NI/min (C _v 9.6)
Leak rate :	100 cm ³ /min

- Spare parts : • Remote air operator : R-A3004. • Pressure seal between valve and base : 16436. • Mounting screw valve to base (x4) : 35416.
- Options : • NPTF threads.

DIMENSIONS



Function	Port size	Flow [Max]	Manifold mounting
4/2 - 4/3	G3/4" - G1"	9600 NI/Min	sub-base

OPERATIONAL BENEFITS

1. Balanced spool, immune to variations of pressure.
2. Short stroke with high flow.
3. The piston (booster) provides maximum shifting forces.
4. Powerful return thanks to the combination of mechanical and air springs.
5. Bonded spool with minimum friction, shifting in a glass-like finished bore.
6. Wiping effect eliminates sticking.
7. Low leakage rate.



HOW TO ORDER

Reset

XXXXX-XXX-PM-M0114

Port size	4/2 Single operator	4/2 Double operator	4/3 Closed centre	4/3 Open centre	4/3 Pressure centre
Valve less base	<input type="radio"/> 6612A-000-PM-M0114	<input type="radio"/> 6622A-000-PM-M0114	<input type="radio"/> 6632A-000-PM-M0114	<input type="radio"/> 6642A-000-PM-M0114	<input type="radio"/> 6652A-000-PM-M0114
Sub-base G3/4"	<input type="radio"/> 6612A-471-PM-M0114	<input type="radio"/> 6622A-481-PM-M0114	<input type="radio"/> 6632A-481-PM-M0114	<input type="radio"/> 6642A-481-PM-M0114	<input type="radio"/> 6652A-481-PM-M0114
Sub-base G1"	<input type="radio"/> 6612A-571-PM-M0114	<input type="radio"/> 6622A-581-PM-M0114	<input type="radio"/> 6632A-581-PM-M0114	<input type="radio"/> 6642A-581-PM-M0114	<input type="radio"/> 6652A-581-PM-M0114

OPTIONS

6612A-000-PM-M0114

click for dual pressure valves (excluding G 1") (replace by 4).

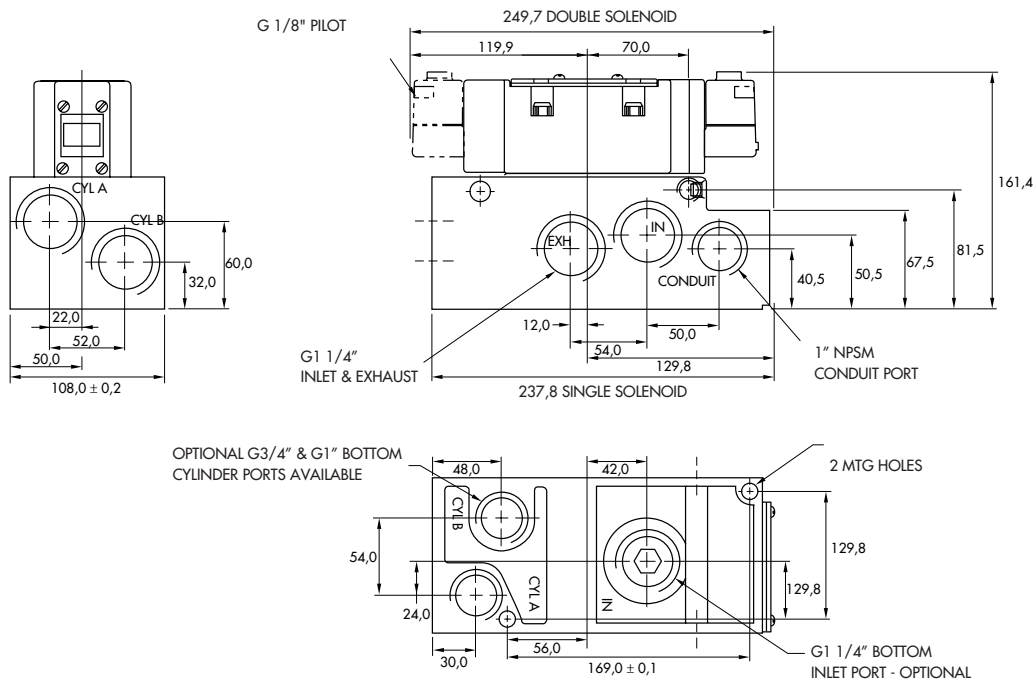
TECHNICAL
DATA

Fluid :	Compressed air, vacuum, inert gases
Pressure range :	Vacuum to 10 bar
Air signal pressure :	Single operator and 3 positions : 1.8 to 10 bar \geq main valve pressure Double operator : 0.7 to 10 bar
Lubrication :	Not required, if used select a medium aniline point lubricant (between 80°C and 100°C)
Filtration :	40 μ
Temperature range :	-18°C to +50°C
Orifice :	24 mm
Flow (at 6 bar, $\Delta P=1$ bar) :	G 3/4" : 9000 Nl/min (C _v 9.0) - G 1" : 9600 Nl/min (C _v 9.6)
Leak rate :	100 cm ³ /min

Spare parts : • Remote air operator : R-A3004. • Pressure seal between valve and base : 16436. • Mounting screw valve to base (x4) : 35416.
• Tie-rod (x2) : 19789. • Remote air pilot : PM-M0114.

Options : • NPTF threads.

DIMENSIONS





R e m o t e a i r v a l v e s

Individual mounting

sub-base

Function	Port size	Flow [Max]	Individual mounting
4/2 - 4/3	G3/4" - G1" - G1 1/4" - G1 1/2"	15900 NI/Min	sub-base

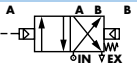
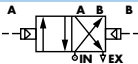
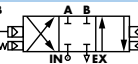

OPERATIONAL BENEFITS

1. Balanced spool, immune to variations of pressure.
2. Short stroke with high flow.
3. The piston (booster) provides maximum shifting forces.
4. Powerful return thanks to the combination of mechanical and air springs.
5. Bonded spool with minimum friction, shifting in a glass-like finished bore.
6. Wiping effect eliminates sticking.
7. Low leakage rate.



HOW TO ORDER

Reset XXXXX-X

Port size	Pilot air	4/2 Single operator	4/2 Double operator	4/3 Closed centre	4/3 Open centre
					
Valve					
less base		<input type="radio"/> 2701G-3	<input type="radio"/> 2703G-3	<input type="radio"/> 2707G-3	<input type="radio"/> 2708G-3
Sub-base G3/4"		<input type="radio"/> 2721G-3	<input type="radio"/> 2723G-3	<input type="radio"/> 2727G-3	<input type="radio"/> 2728G-3
Sub-base G1"	Internal	<input type="radio"/> 2731G-3	<input type="radio"/> 2733G-3	<input type="radio"/> 2737G-3	<input type="radio"/> 2738G-3
Sub-base G1 1/4"		<input type="radio"/> 2751G-3	<input type="radio"/> 2753G-3	<input type="radio"/> 2757G-3	<input type="radio"/> 2758G-3
Sub-base G1 1/2"		<input type="radio"/> 2761G-3	<input type="radio"/> 2763G-3	<input type="radio"/> 2767G-3	<input type="radio"/> 2768G-3
Valve					
less base		<input type="radio"/> 2701G-4	<input type="radio"/> 2703G-4	<input type="radio"/> 2707G-4	<input type="radio"/> 2708G-4
Sub-base G3/4"		<input type="radio"/> 2721G-4	<input type="radio"/> 2723G-4	<input type="radio"/> 2727G-4	<input type="radio"/> 2728G-4
Sub-base G1"	External	<input type="radio"/> 2731G-4	<input type="radio"/> 2733G-4	<input type="radio"/> 2737G-4	<input type="radio"/> 2738G-4
Sub-base G1 1/4"		<input type="radio"/> 2751G-4	<input type="radio"/> 2753G-4	<input type="radio"/> 2757G-4	<input type="radio"/> 2758G-4
Sub-base G1 1/2"		<input type="radio"/> 2761G-4	<input type="radio"/> 2763G-4	<input type="radio"/> 2767G-4	<input type="radio"/> 2768G-4



R e m o t e a i r v a l v e s

Individual mounting

inline	
--------	--

Manifold mounting

cylinder ports in valve	with shut-off valve	
----------------------------	------------------------	--

Function	Port size	Flow [Max]	Individual mounting
5/2 - 5/3	G1/4"	1400 NI/Min	Inline

OPERATIONAL BENEFITS


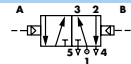
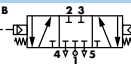
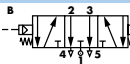
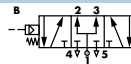
- Balanced spool, immune to variations of pressure.
- Short stroke with high flow.
- The piston (booster) provides maximum shifting forces.
- Powerful return thanks to the combination of mechanical and air springs.
- Bonded spool with minimum friction, shifting in a glass-like finished bore.
- Wiping effect eliminates sticking.
- Low leakage rate.



HOW TO ORDER

Reset

180xxx-xxx-xxxx

Port size	5/2 Single operator	5/2 Double operator	5/3 Closed centre	5/3 Open centre	5/3 Pressure centre
					
G1/4"	<input type="radio"/> 180001-115-0003	<input type="radio"/> 180003-115-0003	<input type="radio"/> 180304-515-0304	<input type="radio"/> 180304-615-0304	<input type="radio"/> 180304-815-0304

Air pilot port : G 1/8".

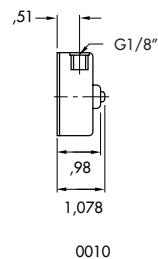
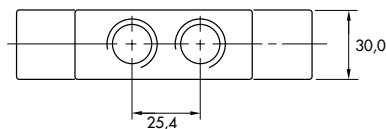
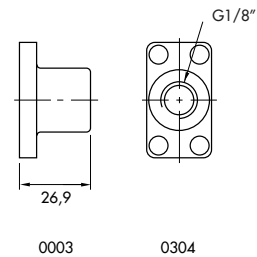
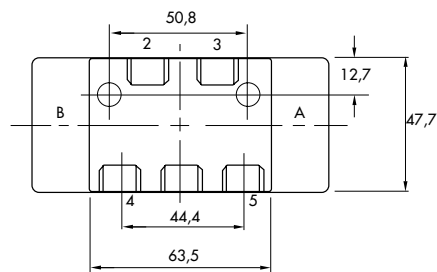
Options : click for side pilot port (replace code 0003 by 0010) (2 positions valves only).

TECHNICAL
DATA

Fluid :	Compressed air, vacuum, inert gases
Pressure range :	Vacuum to 14 bar
Air signal pressure :	Single operator and 3 positions : 1.4 to 10 bar Double operator : 0.7 to 10 bar
Lubrication :	Not required, if used select a medium aniline point lubricant (between 80°C and 100°C)
Filtration :	40 µ
Temperature range :	-18°C to +50°C
Orifice :	7 mm
Flow (at 6 bar, ΔP=1bar) :	G 1/4" - G 3/8" : 1400 NI/min (C _v 1.4)
Leak rate :	50 cm ³ /min

- Spare parts : • Remote air operator (2 positions) : 180003. • Remote air operator (3 positions) : 180304.
- Options : • NPTF threads. • G3/8" threads.

DIMENSIONS



Function	Port size	Flow [Max]	Circuit bar mounting
5/2 - 5/3	G1/4"	1300 NI/Min	cylinder ports in valve

OPERATIONAL BENEFITS

1. Balanced spool, immune to variations of pressure.
2. Short stroke with high flow.
3. The piston (booster) provides maximum shifting forces.
4. Powerful return thanks to the combination of mechanical and air springs.
5. Bonded spool with minimum friction, shifting in a glass-like finished bore.
6. Wiping effect eliminates sticking.
7. Low leakage rate.


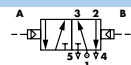
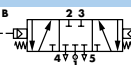

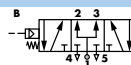


HOW TO ORDER

Reset

180xxx-xxx-xxxx

HOW TO ORDER VALVE FOR CIRCUIT BAR MOUNTING

Port size	5/2 Single operator	5/2 Double operator	5/3 Closed centre	5/3 Open centre	5/3 Pressure centre
					
G1/4"	<input type="radio"/> 180001-175-0003	<input type="radio"/> 180003-175-0003	<input type="radio"/> 180304-575-0304	<input type="radio"/> 180304-675-0304	<input type="radio"/> 180304-875-0304

Air pilot port : G 1/8".

HOW TO ORDER CIRCUIT BAR **

EBM800A-xxxx-xx

Port size (Spacing 31 mm)	Standard circuit bar	Circuit bar with flow regulators (two per station)
G3/8"	<input type="radio"/> EBM800A-001B-xx	<input type="radio"/> EBM800A-002B-xx

** Other options available. Consult factory.

Number of stations (03=3 stations)

Options click for side pilot port (replace code 0003 by 0010) (2 positions valves only).

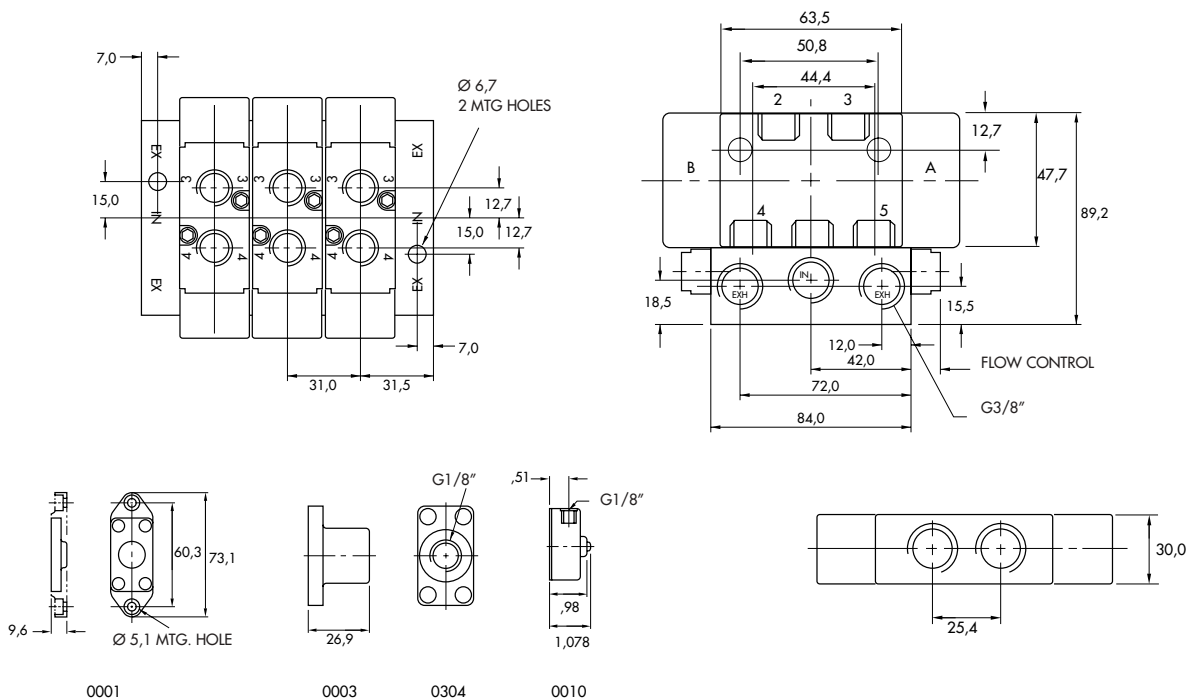
Note click for valves mounted on base at the factory (add -9 to the model number).

TECHNICAL
DATA

Fluid :	Compressed air, vacuum, inert gases
Pressure range :	Vacuum to 14 bar
Air signal pressure :	Single operator and 3 positions : 1.4 to 10 bar Double operator : 0.7 to 10 bar
Lubrication :	Not required, if used select a medium aniline point lubricant (between 80°C and 100°C)
Filtration :	40 µ
Temperature range :	-18°C to +50°C
Orifice :	7 mm
Flow (at 6 bar, ΔP=1bar) :	G 1/4" - G 3/8" : 1300 NI/min (C _v 1.3)
Leak rate :	50 cm ³ /min

- Spare parts : • Remote air operator (2 positions) : 180003. • Remote air operator (3 positions) : 180304. • Blanking plate : M-08008.
- Options : • NPTF threads. • Isolation of inlet and/or exhaust. • G3/8" threads.

DIMENSIONS



Function	Port size	Flow [Max]	Circuit bar mounting
5/2 - 5/3	G1/4"	1300 NI/Min	with shut-off valve

OPERATIONAL BENEFITS

- Balanced spool, immune to variations of pressure.
- Short stroke with high flow.
- The piston (booster) provides maximum shifting forces.
- Powerful return thanks to the combination of mechanical and air springs.
- Bonded spool with minimum friction, shifting in a glass-like finished bore.
- Wiping effect eliminates sticking.
- Low leakage rate.

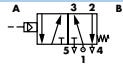
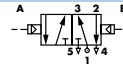
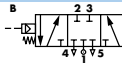
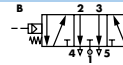
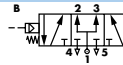


HOW TO ORDER

Reset

180xxx-xxx-xxxx

HOW TO ORDER VALVE FOR CIRCUIT BAR MOUNTING

Port size	5/2 Single operator	5/2 Double operator	5/3 Closed centre	5/3 Open centre	5/3 Pressure centre
					
G1/4"	<input type="radio"/> 180001-175-0003	<input type="radio"/> 180003-175-0003	<input type="radio"/> 180304-575-0304	<input type="radio"/> 180304-675-0304	<input type="radio"/> 180304-875-0304

Air pilot port : G 1/8".

HOW TO ORDER CIRCUIT BAR **

EBI800A-xxxx-xx

Port size (Spacing 31 mm)	Standard circuit bar	Circuit bar with flow regulators (2 per station)
G3/8"	<input type="radio"/> EBI800A-001B-xx	<input type="radio"/> EBI800A-002B-xx

** Other options available. Consult factory.

Number of stations (03=3 stations)

Options click for side pilot port (replace code 0003 by 0010) (2 positions valves only).

Note click for valves mounted on base at the factory (add -9 to the model number).

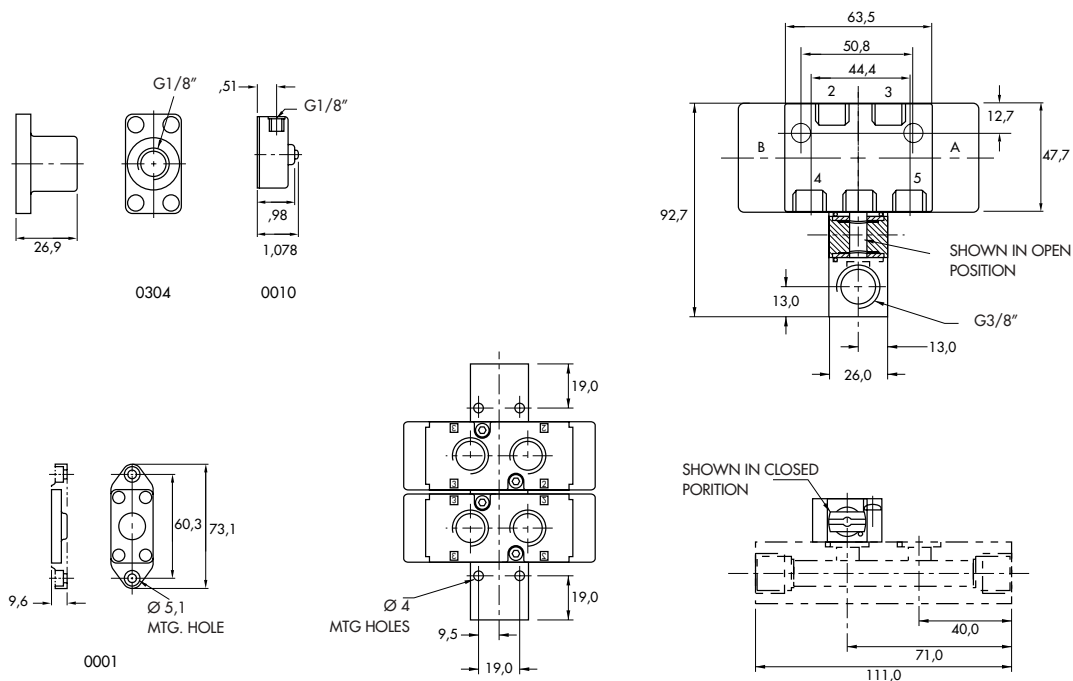
TECHNICAL
DATA

Fluid :	Compressed air, vacuum, inert gases
Pressure range :	Vacuum to 14 bar
Air signal pressure :	Single operator and 3 positions : 1.4 to 10 bar Double operator : 0.7 to 10 bar
Lubrication :	Not required, if used select a medium aniline point lubricant (between 80°C and 100°C)
Filtration :	40 µ
Temperature range :	-18°C to +50°C
Orifice :	7 mm
Flow (at 6 bar, ΔP=1bar) :	G 1/4" - G 3/8" : 1300 NI/min (C _v 1.3)
Leak rate :	50 cm ³ /min

Spare parts : • Remote air operator (2 positions) : 180003. • Remote air operator (3 positions) : 180304.
 • Blanking plate : M-08011. • Shut-off valve : M-08010.

Options : • NPTF threads. • Isolation of inlet. • G3/8" threads.

DIMENSIONS

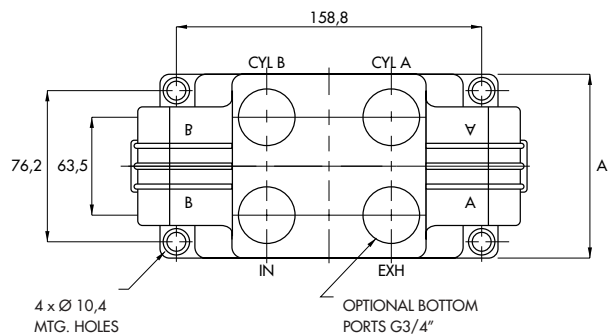
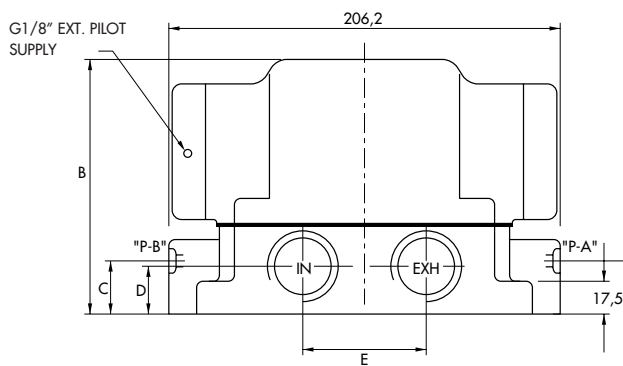


TECHNICAL
DATA

Fluid :	Compressed air, vacuum, inert gases
Pressure range :	Vacuum to 10 bar
Air signal pressure :	Single operator and 3 positions : 1.8 to 10 bar \geq main valve pressure Double operator : 0.7 to 10 bar
Lubrication :	Not required, if used select a medium aniline point lubricant (between 80°C and 100°C)
Filtration :	40 μ
Temperature range :	-18°C to +50°C
Orifice :	35 mm
Flow (at 6 bar, $\Delta P=1$ bar) :	G 3/4" : 11500 Nl/min (C _v 11.5) - G 1" : 13400 Nl/min (C _v 13.4) - G 1 1/4" : 15400 Nl/min (C _v 15.4) - G 1 1/2" : 15900 Nl/min (C _v 15.9)
Leak rate :	100 cm ³ /min

- Spare parts : • Remote air operator : R-0016B. • Pressure seal between valve and base : 16083. • Mounting screw valve to base (x4) : 32214.
- Options : • NPTF threads.

DIMENSIONS



PORT SIZE	A	B	C	D	E
G3/4"	95,3	132,3	28,4	25,4	63,5
G1"					
G1 1/4"	114,3	148,3	23,9	30,2	76,2
G1 1/2"					69,9



R e m o t e a i r v a l v e s

Individual mounting



Manifold mounting



Function	Port size	Flow [Max]	Individual mounting & Manifold mounting
5/2 - 5/3	G1/4" - G3/8"	1600 NI/Min	sub-base

OPERATIONAL BENEFITS

1. Balanced spool, immune to variations of pressure.
2. Short stroke with high flow.
3. The piston (booster) provides maximum shifting forces.
4. Powerful return thanks to the combination of mechanical and air springs.
5. Bonded spool with minimum friction, shifting in a glass-like finished bore.
6. Wiping effect eliminates sticking.
7. Low leakage rate.

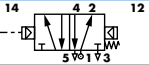
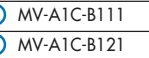
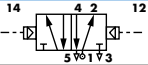
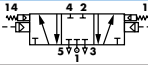
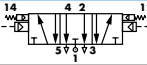


HOW TO ORDER

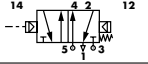
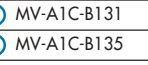
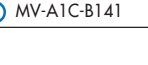
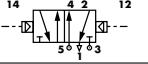
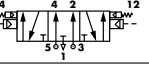
Reset

MV-A1C-Bxxx

SINGLE PRESSURE VALVES

Air spring	5/2 Single operator	5/2 Double operator	5/3 Closed centre	5/3 Open centre
Internal	 MV-A1C-B111	-----	-----	-----
External	 MV-A1C-B121	 MV-A1C-B221	 MV-A1C-B322	 MV-A1C-B321

DUAL PRESSURE VALVES

Air spring	5/2 Single operator	5/2 Double operator	5/3 Pressure centre
Internal port 3	 MV-A1C-B131	-----	-----
Internal port 5	 MV-A1C-B135	-----	-----
External	 MV-A1C-B141	 MV-A1C-B241	 MV-A1C-B341

Note : ISO valves are delivered w/o base.

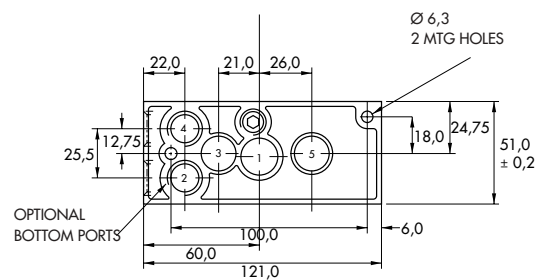
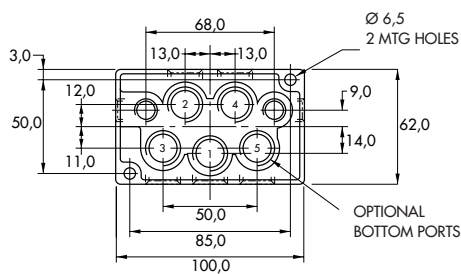
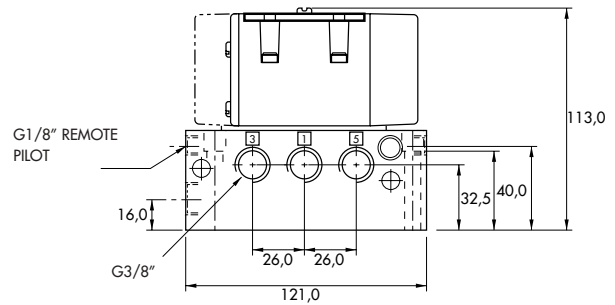
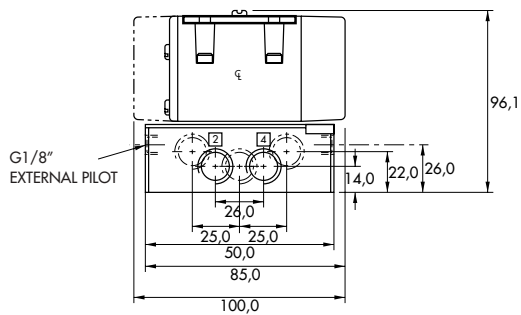
TECHNICAL
DATA

Fluid :	Compressed air, vacuum, inert gases
Pressure range :	Vacuum to 10 bar
Air signal pressure :	Single operator and 3 positions : 1.8 to 10 bar \geq main valve pressure Double operator : 0.7 to 10 bar
Lubrication :	Not required, if used select a medium aniline point lubricant (between 80°C and 100°C)
Filtration :	40 μ
Temperature range :	-18°C to +50°C
Orifice :	10 mm
Flow (at 6 bar, $\Delta P=1$ bar) :	G 1/4" - G 3/8" : 1600 NI/min (C_v 1.6)
Leak rate :	100 cm ³ /min

Spare parts :

- Remote air operator 2 positions : R-A1010. • Remote air operator 3 positions : R-A1005B.
- Pressure seal between valve and base : 16344. • Mounting screw body to base (x4) : 35304.

DIMENSIONS





R e m o t e a i r v a l v e s

Individual mounting



Manifold mounting



Function	Port size	Flow [Max]	Individual mounting & Manifold mounting
5/2 - 5/3	G3/8" - G1/2"	3000 NI/Min	sub-base

OPERATIONAL BENEFITS

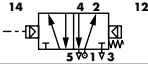
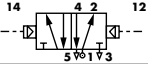
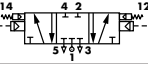
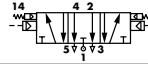
- Balanced spool, immune to variations of pressure.
- Short stroke with high flow.
- The piston (booster) provides maximum shifting forces.
- Powerful return thanks to the combination of mechanical and air springs.
- Bonded spool with minimum friction, shifting in a glass-like finished bore.
- Wiping effect eliminates sticking.
- Low leakage rate.



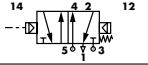
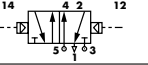
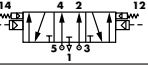
HOW TO ORDER

Reset **MV-A2B-Bxxx**

SINGLE PRESSURE VALVES

Air spring	5/2 Single operator	5/2 Double operator	5/3 Closed centre	5/3 Open centre
				
Internal	<input type="radio"/> MV-A2B-B111	-----	-----	-----
External	<input type="radio"/> MV-A2B-B121	<input type="radio"/> MV-A2B-B221	<input type="radio"/> MV-A2B-B322	<input type="radio"/> MV-A2B-B321

DUAL PRESSURE VALVES

Air spring	5/2 Single operator	5/2 Double operator	5/3 Pressure centre
			
Internal port 3	<input type="radio"/> MV-A2B-B131	-----	-----
Internal port 5	<input type="radio"/> MV-A2B-B135	-----	-----
External	<input type="radio"/> MV-A2B-B141	<input type="radio"/> MV-A2B-B241	<input type="radio"/> MV-A2B-B341

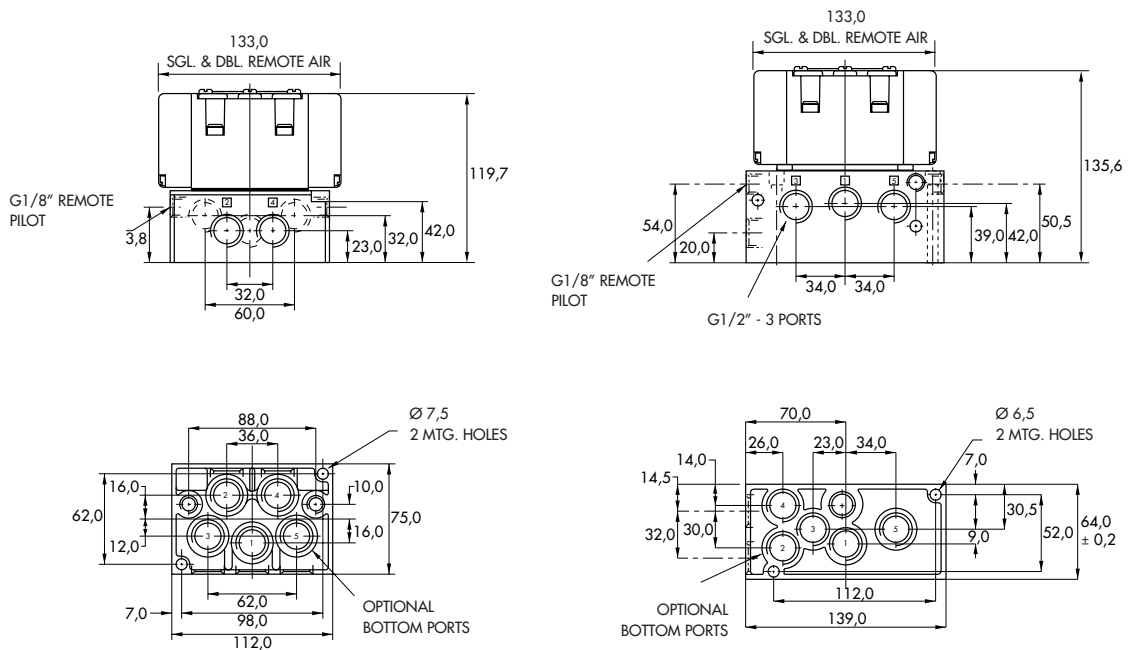
Note : ISO valves are delivered w/o base.

TECHNICAL
DATA

Fluid :	Compressed air, vacuum, inert gases
Pressure range :	Vacuum to 10 bar
Air signal pressure :	Single operator and 3 positions : 1.8 to 10 bar \geq main valve pressure Double operator : 0.7 to 10 bar
Lubrication :	Not required, if used select a medium aniline point lubricant (between 80°C and 100°C)
Filtration :	40 μ
Temperature range :	-18°C to +50°C
Orifice :	15 mm
Flow (at 6 bar, $\Delta P=1$bar) :	G 3/8" - G 1/2" : 3000 NI/min (C_v 3.0)
Leak rate :	100 cm ³ /min

Spare parts : • Remote air operator : R-A3004. • Pressure seal between valve and base : 16351. • Mounting screw body to base (x4) : 35412.

DIMENSIONS





R e m o t e a i r v a l v e s

Individual mounting



Manifold mounting



Function	Port size	Flow [Max]	Individual mounting & Manifold mounting
5/2 - 5/3	G1/2" - G3/4"	6300 NI/Min	sub-base

OPERATIONAL BENEFITS

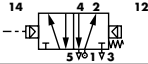
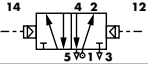
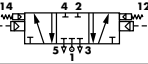
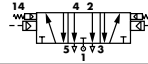
- Balanced spool, immune to variations of pressure.
- Short stroke with high flow.
- The piston (booster) provides maximum shifting forces.
- Powerful return thanks to the combination of mechanical and air springs.
- Bonded spool with minimum friction, shifting in a glass-like finished bore.
- Wiping effect eliminates sticking.
- Low leakage rate.



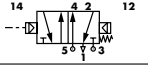
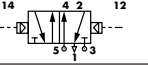
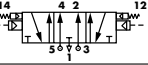
HOW TO ORDER

Reset **MV-A3B-Bxxx**

SINGLE PRESSURE VALVES

Air spring	5/2 Single operator	5/2 Double operator	5/3 Closed centre	5/3 Open centre
				
Internal	<input type="radio"/> MV-A3B-B111	-----	-----	-----
External	<input type="radio"/> MV-A3B-B121	<input type="radio"/> MV-A3B-B221	<input type="radio"/> MV-A3B-B322	<input type="radio"/> MV-A3B-B321

DUAL PRESSURE VALVES

Air spring	5/2 Single operator	5/2 Double operator	5/3 Pressure centre
			
Internal port 3	<input type="radio"/> MV-A3B-B131	-----	-----
Internal port 5	<input type="radio"/> MV-A3B-B135	-----	-----
External	<input type="radio"/> MV-A3B-B141	<input type="radio"/> MV-A3B-B241	<input type="radio"/> MV-A3B-B341

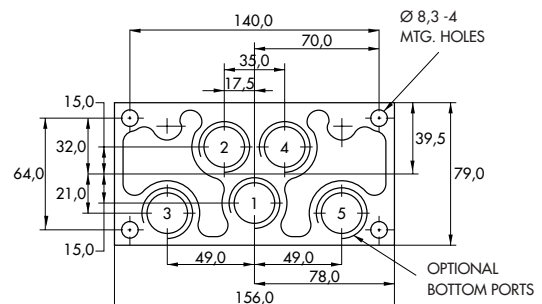
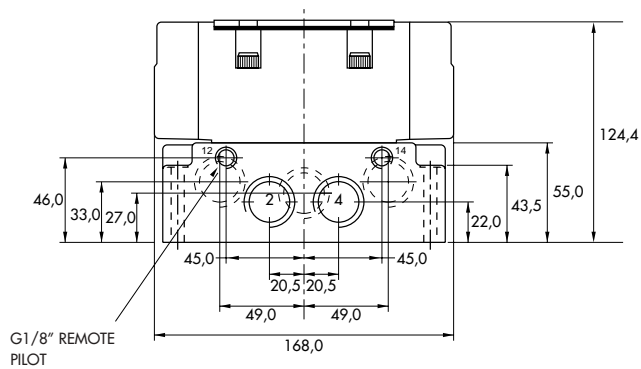
Note : ISO valves are delivered w/o base.

T E C H N I C A L
D A T A

Fluid :	Compressed air, vacuum, inert gases
Pressure range :	Vacuum to 10 bar
Air signal pressure :	Single operator and 3 positions : 1.8 to 10 bar \geq main valve pressure Double operator : 0.7 to 10 bar
Lubrication :	Not required, if used select a medium aniline point lubricant (between 80°C and 100°C)
Filtration :	40 μ
Temperature range :	-18°C to +50°C
Orifice :	24 mm
Flow (at 6 bar, $\Delta P=1$bar) :	G 1/2" - G 3/4" : 6300 NI/min (C _v 6.3)
Leak rate :	100 cm ³ /min

Spare parts : • Remote air operator : R-A3004. • Pressure seal between valve and base : 16436. • Mounting screw body to base (x4) : 35416.

D I M E N S I O N S





Mechanically and manually operated valves

Individual mounting

inline	
--------	--

Manifold mounting

sub-base	
----------	--

Function	Port size	Flow [Max]	Individual mounting
3/2 NO-NC, 2/2 NO-NC	G1/8" - G1/4"	180 NI/Min	Inline

OPERATIONAL BENEFITS

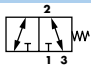
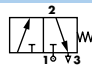
1. Short stroke with high flow.
2. Powerful return spring.



HOW TO ORDER

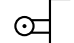
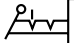



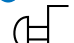





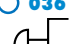






Reset

XXXXX-XXX

Port size	Universal valve	NC only valve
		
G1/8"	<input type="radio"/> 1116A-xxx	<input type="radio"/> 1166A-xxx
G1/4"	<input type="radio"/> 1117A-xxx	<input type="radio"/> 1167A-xxx

MECHANICAL OPERATOR >

XXX

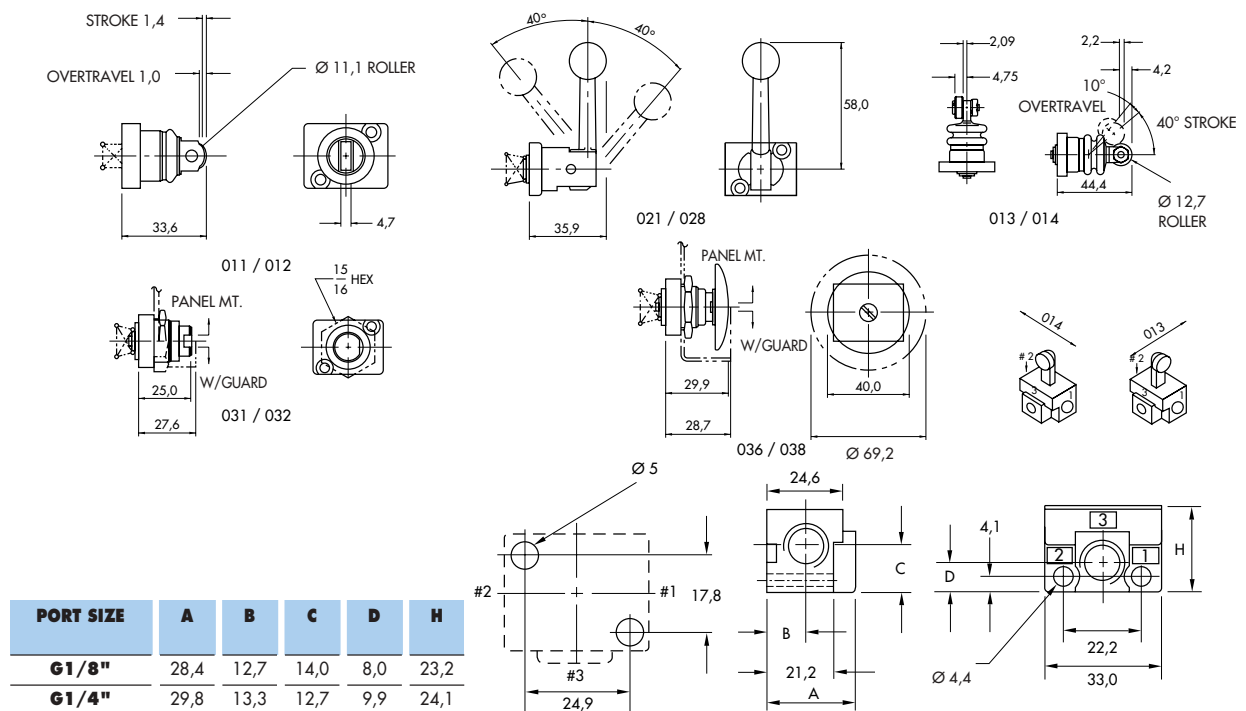
Code	Description	Code	Description	Code	Description
<input type="radio"/> 011	Cam roller parallel to ports 1 & 2 	<input type="radio"/> 023	Lever locking pull perpendicular to ports 1 & 2 	<input type="radio"/> 031	Push button 
<input type="radio"/> 012	Cam roller perpendicular to ports 1 & 2 	<input type="radio"/> 024	Lever non-locking pull perpendicular to ports 1 & 2 	<input type="radio"/> 032	Push button (panel mounting) 
<input type="radio"/> 013	Lever cam parallel to ports 1 & 2 	<input type="radio"/> 025	Lever locking push parallel to ports 1 & 2 	<input type="radio"/> 033	Push button with guard 
<input type="radio"/> 014	Lever cam perpendicular to ports 1 & 2 	<input type="radio"/> 026	Lever non-locking push parallel to ports 1 & 2 	<input type="radio"/> 036	Palm button 
<input type="radio"/> 021	Lever locking push perpendicular to ports 1 & 2 	<input type="radio"/> 027	Lever locking pull parallel to ports 1 & 2 	<input type="radio"/> 037	Palm button (panel mounting) 
<input type="radio"/> 022	Lever non-locking push perpendicular to ports 1 & 2 	<input type="radio"/> 028	Lever non-locking pull parallel to ports 1 & 2 	<input type="radio"/> 038	Palm button with guard. 

**TECHNICAL
DATA**

Fluid :	Compressed air, vacuum, inert gases
Pressure range :	Vacuum to 10 bar
Lubrication :	Not required, if used select a medium aniline point lubricant (between 80°C and 100°C)
Filtration :	40 µ
Temperature range :	-18°C to +50°C
Orifice :	2 mm
Flow (at 6 bar, ΔP=1 bar) :	G 1/8" - G1/4" : 180 NI/min (C _v 0.18)
Leak rate :	50 cm ³ /min

- Spare parts : • Operator : 1100A-XXX (see codification).
- Options : • NPTF threads.

DIMENSIONS



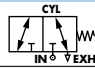
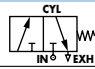
Function	Port size	Flow [Max]	Manifold mounting
3/2 NO-NC, 2/2 NO-NC	G1/8"	140 NI/Min	sub-base

OPERATIONAL BENEFITS

1. Short stroke with high flow.
2. Powerful return spring.



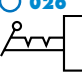




HOW TO ORDER Reset XXXXXX-XXX

Port size	Universal valve	NC only valve
		
Valve less base	<input type="radio"/> 1130A- xxx	<input type="radio"/> 1170A- xxx
Sub-base G1/8"	<input type="radio"/> 1136A- xxx	<input type="radio"/> 1176A- xxx

MECHANICAL OPERATOR >

XXX

Code	Description	Code	Description
<input type="radio"/> 025	Lever locking push parallel to ports 1 & 2 	<input type="radio"/> 031	Push button 
<input type="radio"/> 026	Lever non-locking push parallel to ports 1 & 2 	<input type="radio"/> 028	Lever non-locking pull parallel to ports 1 & 2 
<input type="radio"/> 027	Lever locking pull parallel to ports 1 & 2 		

End plate kit (Port size G1/4") : A2-5004-01P.

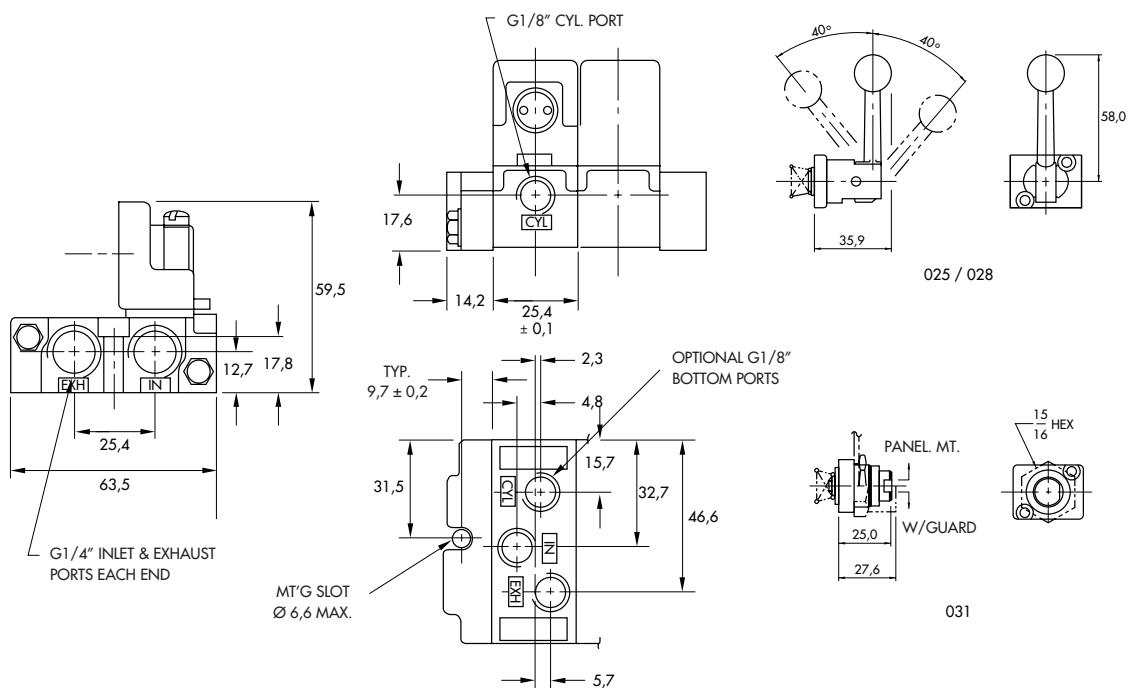
TECHNICAL
DATA

Fluid :	Compressed air, vacuum, inert gases
Pressure range :	Vacuum to 10 bar
Lubrication :	Not required, if used select a medium aniline point lubricant (between 80°C and 100°C)
Filtration :	40 µ
Temperature range :	-18°C to +50°C
Orifice :	2 mm
Flow (at 6 bar, ΔP=1 bar) :	G 1/8" : 140 NI/min (C _v 0.14)
Leak rate :	50 cm ³ /min

Spare parts : • Operator : 1100A-XXX (see codification). • Function plate : A2-7009. • Pressure seal between bases : 16226.
• Tie-rod (x2) : 19546.

Options : • NPTF threads.

DIMENSIONS





Mechanically and manually operated valves

Individual mounting

Inline	
--------	--

Circuit bar mounting

cylinder ports in valve	
----------------------------	--

Function	Port size	Flow [Max]	Individual mounting
5/2	G1/4"	1400 NI/Min	Inline

OPERATIONAL BENEFITS

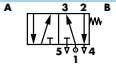
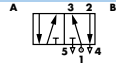
1. Short stroke with high flow.
2. Powerful return force.
3. Bonded spool with minimum friction, shifting in a glass-like finished bore.
4. Wiping effect eliminates sticking.
5. Long service life.



HOW TO ORDER

Reset

18xxxx-115-xxxx

Port size	Single operator	Double operator
G1/4"	 <input type="radio"/> 180001-115-xxxx	 <input type="radio"/> 18xxxx-115-xxxx

MECHANICAL OPERATOR >

XXXX

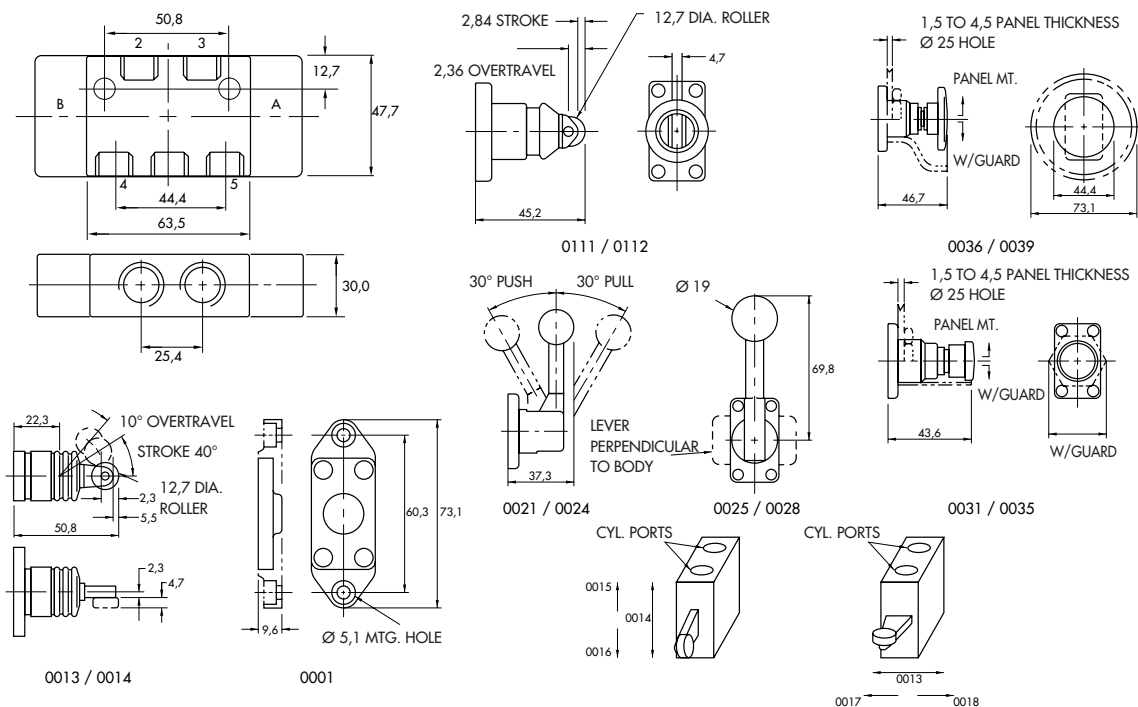
Code	Description	Code	Description	Code	Description
<input type="radio"/> 0111	Cam roller parallel to ports 2 & 3	<input type="radio"/> 0024	Lever non-locking pull perpendicular to body	<input type="radio"/> 0033	Push button with guard
<input type="radio"/> 0112	Cam roller perpendicular to ports 2 & 3	<input type="radio"/> 0025	Lever locking push parallel to body	<input type="radio"/> 0034	Push Pull
<input type="radio"/> 0013	Lever cam perpendicular to ports 2 & 3	<input type="radio"/> 0026	Lever non-locking push parallel to body	<input type="radio"/> 0035	Push Pull (panel mounting)
<input type="radio"/> 0014	Lever cam parallel to ports 2 & 3	<input type="radio"/> 0027	Lever locking pull parallel to body	<input type="radio"/> 0036	Palm button
<input type="radio"/> 0021	Lever locking push perpendicular to body	<input type="radio"/> 0028	Lever non-locking pull parallel to body	<input type="radio"/> 0037	Palm button (panel mounting)
<input type="radio"/> 0022	Lever non-locking push perpendicular to body	<input type="radio"/> 0031	Push button	<input type="radio"/> 0038	Palm button with guard
<input type="radio"/> 0023	Lever locking pull perpendicular to body	<input type="radio"/> 0032	Push button (panel mounting)	<input type="radio"/> 0039	Push Pull palm button

TECHNICAL
DATA

Fluid :	Compressed air, vacuum, inert gases
Pressure range :	Vacuum to 14 bar
Lubrication :	Not required, if used select a medium aniline point lubricant (between 80°C and 100°C)
Filtration :	40 µ
Temperature range :	-18°C to +50°C
Orifice :	7 mm
Flow (at 6 bar, ΔP=1 bar) :	G 1/4" : 1400 NI/min (C _v 1.4)
Leak rate :	50 cm ³ /min

- Spare parts : • Operator : 18XXXX (see codification).
- Options : • NPTF threads.

DIMENSIONS



Function	Port size	Flow [Max]	Circuit bar mounting
5/2	G1/4"	1300 NI/Min	cylinder ports in valve

OPERATIONAL BENEFITS

1. Short stroke with high flow.
2. Powerful return force.
3. Bonded spool with minimum friction, shifting in a glass-like finished bore.
4. Wiping effect eliminates sticking.
5. Long service life.

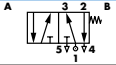
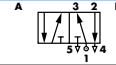


HOW TO ORDER

Reset

18xxxx-175-xxxx

HOW TO ORDER VALVE FOR CIRCUIT BAR MOUNTING

Port size	Single operator	Double operator
		
G1/4"	<input type="radio"/> 180001-175-xxxx	<input type="radio"/> 18xxxx-175-xxxx

MECHANICAL OPERATOR >

XXXX

Code	Description	Code	Description
<input type="radio"/> 0025	Lever locking push parallel to body	<input type="radio"/> 0028	Lever non-locking pull parallel to body
<input type="radio"/> 0026	Lever non-locking push parallel to body	<input type="radio"/> 0034	Push Pull
<input type="radio"/> 0027	Lever locking pull parallel to body	<input type="radio"/> 0031	Push button

HOW TO ORDER CIRCUIT BAR **

Port size (Spacing 31 mm)	Standard circuit bar	Circuit bar with flow regulators (2 per station)
G3/8"	<input type="radio"/> EBM800A-001B-XX	<input type="radio"/> EBM800A-002B-XX

** Other options available. Consult factory.

Number of stations (03=3 stations)

Note click for valves mounted on base at the factory (add -9 to the model number).

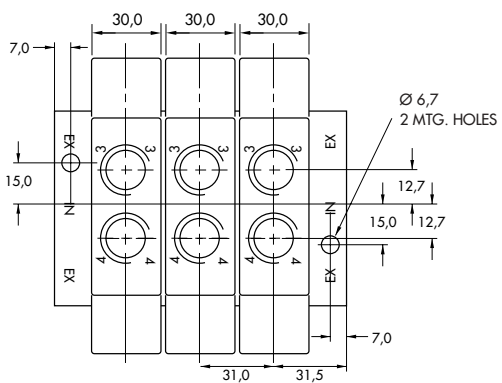
TECHNICAL DATA

Fluid :	Compressed air, vacuum, inert gases
Pressure range :	Vacuum to 14 bar
Lubrication :	Not required, if used select a medium aniline point lubricant (between 80°C and 100°C)
Filtration :	40 μ
Temperature range :	-18°C to +50°C
Orifice :	7 mm
Flow (at 6 bar, $\Delta P=1$ bar) :	G 1/4" : 1300 NI/min (C_v 1.3)
Leak rate :	50 cm ³ /min

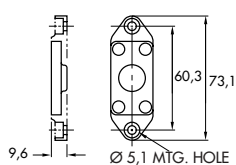
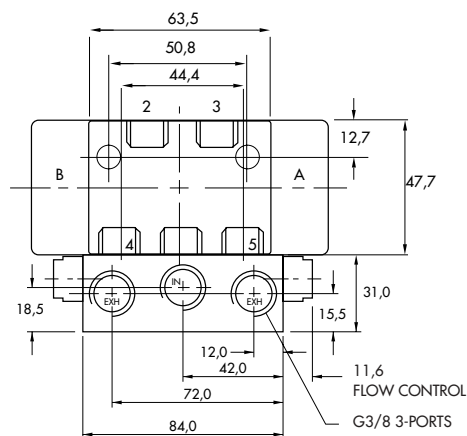
Spare parts : • Operator : 18XXXX (see codification). • Blanking plate : M-08008.

Options : • NPTF threads. • Isolation of inlet and/or exhaust.

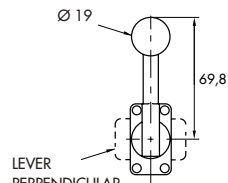
DIMENSIONS



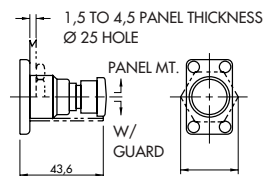
Operator A & B



0001



00025 / 0028



00031 / 0035



HOW TO ORDER

Reset

XX-XX-XXX

INDIVIDUAL BASE

Port size	Side ports	Bottom ports	Bottom cylinder ports 2 and 4.	Bottom port 1
G1/4"	<input type="radio"/> MB-A1C-121	<input type="radio"/> MB-A1C-123	<input type="radio"/> MB-A1C-122	<input type="radio"/> MB-A1C-124
G3/8"	<input type="radio"/> MB-A1C-131	<input type="radio"/> MB-A1C-133	<input type="radio"/> MB-A1C-132	<input type="radio"/> MB-A1C-134

INDIVIDUAL BASE ACCORDING TO VDMA 24345

Port size	Side ports	Bottom ports
G1/4"	<input type="radio"/> HB-A1A-A	<input type="radio"/> HB-A1A-B

MANIFOLD BASE

Port size	Side ports	Bottom ports	Bottom cylinder ports 2 and 4.	Bottom port 1
G1/4"	<input type="radio"/> MM-A1C-121	<input type="radio"/> MM-A1C-123	<input type="radio"/> MM-A1C-122	<input type="radio"/> MM-A1C-124
G3/8"	<input type="radio"/> MM-A1C-131	<input type="radio"/> MM-A1C-133	<input type="radio"/> MM-A1C-132	<input type="radio"/> MM-A1C-134

Manifold fastening kit : N-63002-01.

MANIFOLD BASE ACCORDING TO VDMA 24345

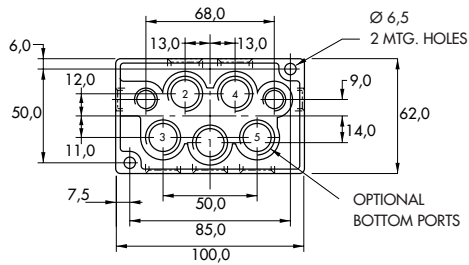
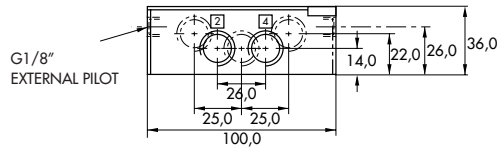
Port size	Bottom cylinder ports 2 and 4
G1/4"	<input type="radio"/> HM-A1A-C

End plate kit : HM-A1A-D.

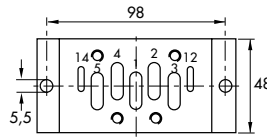
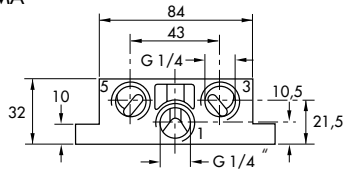
DIMENSIONS

Individual

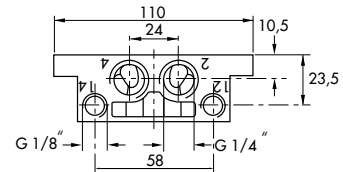
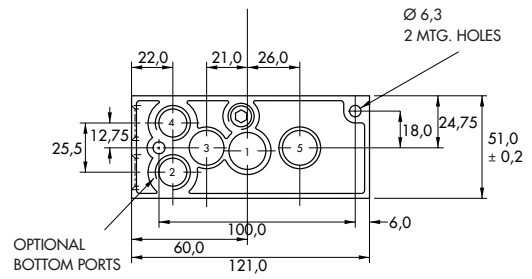
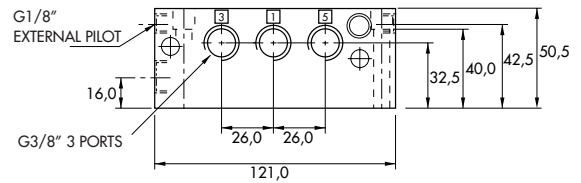
DIN 5599/1



VDMA



Manifold





HOW TO ORDER

Reset

XX-XX-XXX

INDIVIDUAL BASE

Port size	Side ports	Bottom ports	Bottom cylinder ports 2 and 4.	Bottom port 1
G3/8"	<input type="radio"/> MB-A2B-121	<input type="radio"/> MB-A2B-123	<input type="radio"/> MB-A2B-122	<input type="radio"/> MB-A2B-124
G1/2"	<input type="radio"/> MB-A2B-131	<input type="radio"/> MB-A2B-133	<input type="radio"/> MB-A2B-132	<input type="radio"/> MB-A2B-134

INDIVIDUAL BASE ACCORDING TO VDMA 24345

Port size	Side ports	Bottom ports
G3/8"	<input type="radio"/> HB-A2B-A	<input type="radio"/> HB-A2B-B

MANIFOLD BASE

Port size	Side ports	Bottom ports	Bottom cylinder ports 2 and 4.	Bottom port 1
G3/8"	<input type="radio"/> MM-A2B-121	<input type="radio"/> MM-A2B-123	<input type="radio"/> MM-A2B-122	<input type="radio"/> MM-A2B-124
G1/2"	<input type="radio"/> MM-A2B-131	<input type="radio"/> MM-A2B-133	<input type="radio"/> MM-A2B-132	<input type="radio"/> MM-A2B-134

Manifold fastening kit : N-63002-01.

MANIFOLD BASE ACCORDING TO VDMA 24345

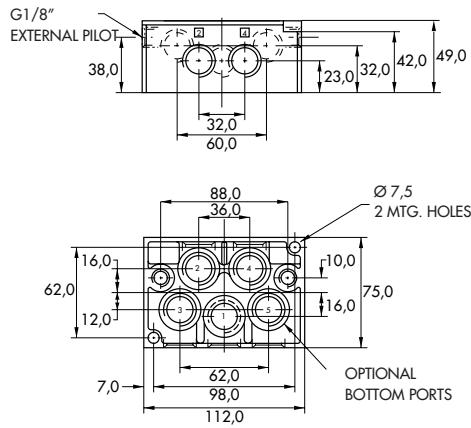
Port size	Bottom cylinder ports 2 and 4
G3/8"	<input type="radio"/> HM-A2B-C

End plate kit : HM-A2B-D.

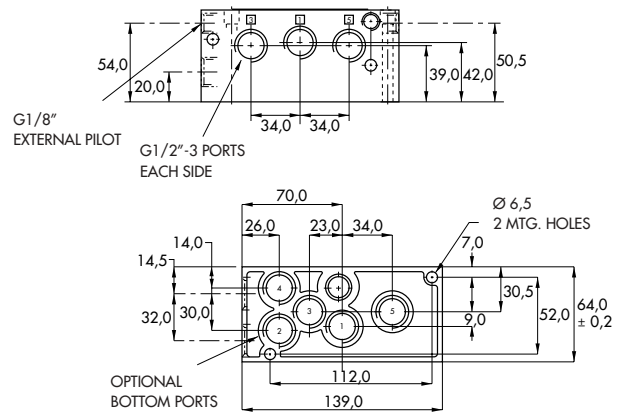
DIMENSIONS

Individual

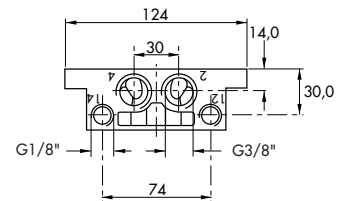
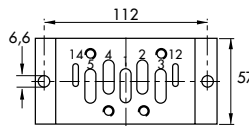
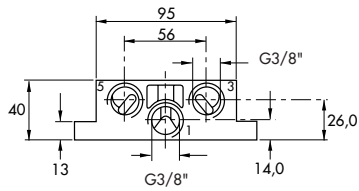
DIN 5599/1



Manifold



VDMA





HOW TO ORDER

Reset

XX-XX-XXX

INDIVIDUAL BASE

Port size	Side ports	Bottom ports	Bottom cylinder ports 2 and 4.	Bottom port 1
G1/2"	<input type="radio"/> MB-A3B-121	<input type="radio"/> MB-A3B-123	<input type="radio"/> MB-A3B-122	<input type="radio"/> MB-A3B-124
G3/4"	<input type="radio"/> MB-A3B-131	<input type="radio"/> MB-A3B-133	<input type="radio"/> MB-A3B-132	<input type="radio"/> MB-A3B-134

INDIVIDUAL BASE ACCORDING TO VDMA 24345

Port size	Side ports	Bottom ports
G1/2"	<input type="radio"/> HB-A3B-A	<input type="radio"/> HB-A3B-B

MANIFOLD BASE ACCORDING TO VDMA 24345

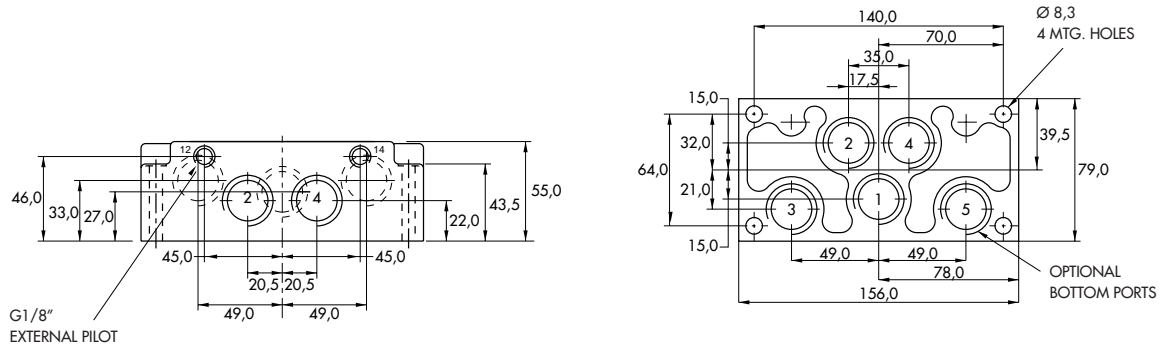
Port size	Bottom cylinder ports 2 and 4
G1/2"	<input type="radio"/> HM-A3B-C

End plate kit : HM-A3B-D.

DIMENSIONS

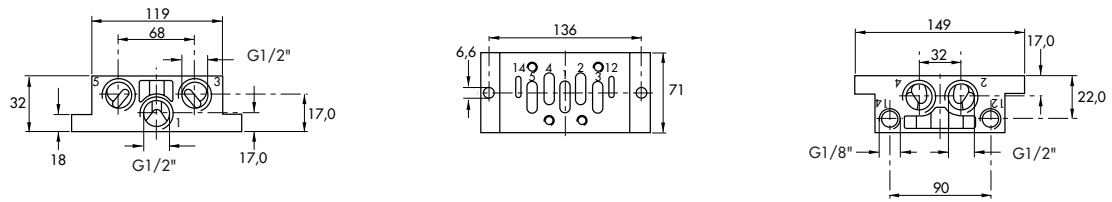
Individual

ISO DIN 5599/1



Manifold

VDMA



Sandwich pressure regulator with manual adjust.

OPERATIONAL BENEFITS

1. Easy mounting : saves on installation costs in comparison with inline regulators.
2. Allows to have compact, all-included units.
3. Large orifice provides high flow.
4. Various functions available.
5. Simple, reliable and solid design.



HOW TO ORDER

Reset

PR82A-xxxx

REGULATORS FOR "PLUG-IN" VALVES

Gauges	Single pressure Regulator A end Same regulated pressure to ports A and B	Dual pressure Regulator A end Regulated pressure to port A *	Dual pressure Regulator B end Regulated pressure to port B *	Dual pressure Dual regulator Two regulated pressures to ports A and B *
No gauge	<input type="radio"/> PR82A-GADA	<input type="radio"/> PR82A-GCDA	<input type="radio"/> PR82A-GBDA	<input type="radio"/> PR82A-GDDA
Gauge parallel to regulator	<input type="radio"/> PR82A-GACA	<input type="radio"/> PR82A-GCCA	<input type="radio"/> PR82A-GBCA	<input type="radio"/> PR82A-GDCA
Gauge perpendicular to regulator	<input type="radio"/> PR82A-GABA	<input type="radio"/> PR82A-GCBA	<input type="radio"/> PR82A-GBBA	<input type="radio"/> PR82A-GDBA

REGULATORS FOR "NON PLUG-IN" AND REMOTE AIR VALVES

Gauges	Single pressure Regulator A end Same regulated pressure to ports A and B	Dual pressure Regulator A end Regulated pressure to port A *	Dual pressure Regulator B end Regulated pressure to port B *	Dual pressure Dual regulator Two regulated pressures to ports A and B *
No gauge	<input type="radio"/> PR82A-HADA	<input type="radio"/> PR82A-HCDA	<input type="radio"/> PR82A-HBDA	<input type="radio"/> PR82A-HDDA
Gauge parallel to regulator	<input type="radio"/> PR82A-HACA	<input type="radio"/> PR82A-HCCA	<input type="radio"/> PR82A-HBCA	<input type="radio"/> PR82A-HDCA
Gauge perpendicular to regulator	<input type="radio"/> PR82A-HABA	<input type="radio"/> PR82A-HCBA	<input type="radio"/> PR82A-HBBA	<input type="radio"/> PR82A-HDBA

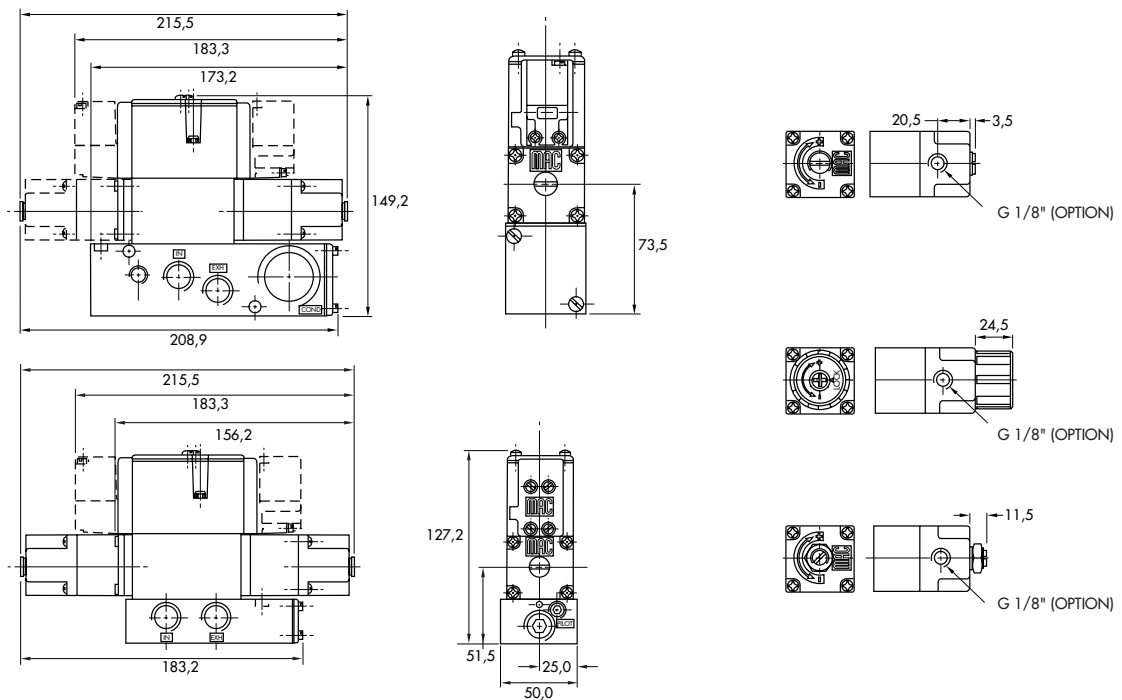
* To be used with dual pressure valves.

**TECHNICAL
DATA**

Fluid :	Compressed air, inert gases
Pressure range :	0 to 10 bar
Regulating range :	0.5 to 8.5 bar
Lubrication :	Not required, if used select a medium aniline point lubricant (between 80°C and 100°C)
Filtration :	40 μ
Temperature range :	-18°C to +50°C
Flow (at 6 bar, $\Delta P=1$ bar) :	1080 Nl/min ($C_v=1.08$)

Spare parts : • Pressure regulator : PR82A-J0AA.

DIMENSIONS



Sandwich pressure regulator with air adjust.

OPERATIONAL BENEFITS

1. Easy mounting : saves on installation costs in comparison with inline regulators.
2. Allows to have compact, all-included units.
3. Large orifice provides high flow.
4. Various functions available.
5. Simple, reliable and solid design.



HOW TO ORDER

Reset

PR82A-xxxx

REGULATORS FOR "PLUG-IN" VALVES

Gauges	Single pressure Regulator A end Same regulated pressure to ports A and B	Dual pressure Regulator A end Regulated pressure to port A *	Dual pressure Regulator B end Regulated pressure to port B *	Dual pressure Dual regulator Two regulated pressures to ports A and B *
No gauge	<input type="radio"/> PR82A-DADA	<input type="radio"/> PR82A-DCDA	<input type="radio"/> PR82A-DBDA	<input type="radio"/> PR82A-DDDA
Gauge parallel to regulator	<input type="radio"/> PR82A-DACA	<input type="radio"/> PR82A-DCCA	<input type="radio"/> PR82A-DBCA	<input type="radio"/> PR82A-DDCA
Gauge perpendicular to regulator	<input type="radio"/> PR82A-DABA	<input type="radio"/> PR82A-DCBA	<input type="radio"/> PR82A-DBBA	<input type="radio"/> PR82A-DDBA

REGULATORS FOR "NON PLUG-IN" AND REMOTE AIR VALVES

Gauges	Single pressure Regulator A end Same regulated pressure to ports A and B	Dual pressure Regulator A end Regulated pressure to port A *	Dual pressure Regulator B end Regulated pressure to port B *	Dual pressure Dual regulator Two regulated pressures to ports A and B *
No gauge	<input type="radio"/> PR82A-EADA	<input type="radio"/> PR82A-ECDA	<input type="radio"/> PR82A-EBDA	<input type="radio"/> PR82A-EDDA
Gauge parallel to regulator	<input type="radio"/> PR82A-EACA	<input type="radio"/> PR82A-ECCA	<input type="radio"/> PR82A-EBCA	<input type="radio"/> PR82A-EDCA
Gauge perpendicular to regulator	<input type="radio"/> PR82A-EABA	<input type="radio"/> PR82A-ECBA	<input type="radio"/> PR82A-EBBA	<input type="radio"/> PR82A-EDBA

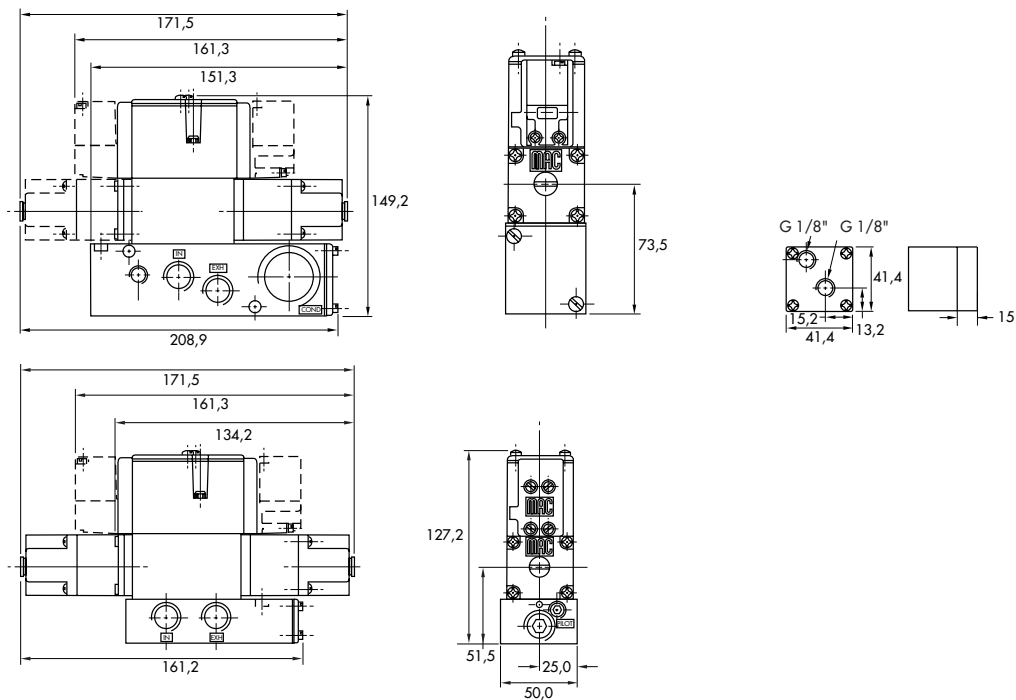
* To be used with dual pressure valves.

**TECHNICAL
DATA**

Fluid :	Compressed air, inert gases
Pressure range :	0 to 10 bar
Regulating range :	0.5 to 8.5 bar
Lubrication :	Not required, if used select a medium aniline point lubricant (between 80°C and 100°C)
Filtration :	40 μ
Temperature range :	-18°C to +50°C
Flow (at 6 bar, ΔP=1 bar) :	1080 Nl/min (C _v 1.08)

Spare parts : • Pressure regulator : PR82A-FOAA.

DIMENSIONS



Sandwich pressure regulator with manual adjust.

OPERATIONAL BENEFITS

1. Easy mounting : saves on installation costs in comparison with inline regulators.
2. Allows to have compact, all-included units.
3. Large orifice provides high flow.
4. Various functions available.
5. Simple, reliable and solid design.



HOW TO ORDER

Reset

PR62C-xxxx

REGULATORS FOR "PLUG-IN" VALVES

Gauges	Single pressure Regulator B end Same regulated pressure to ports A and B
No gauge	<input type="radio"/> PR62C-21AA
Non filled gauge	<input type="radio"/> PR62C-21FA
Glycerine filled gauge	<input type="radio"/> PR62C-21BA

REGULATORS FOR "NON PLUG-IN" AND REMOTE AIR VALVES

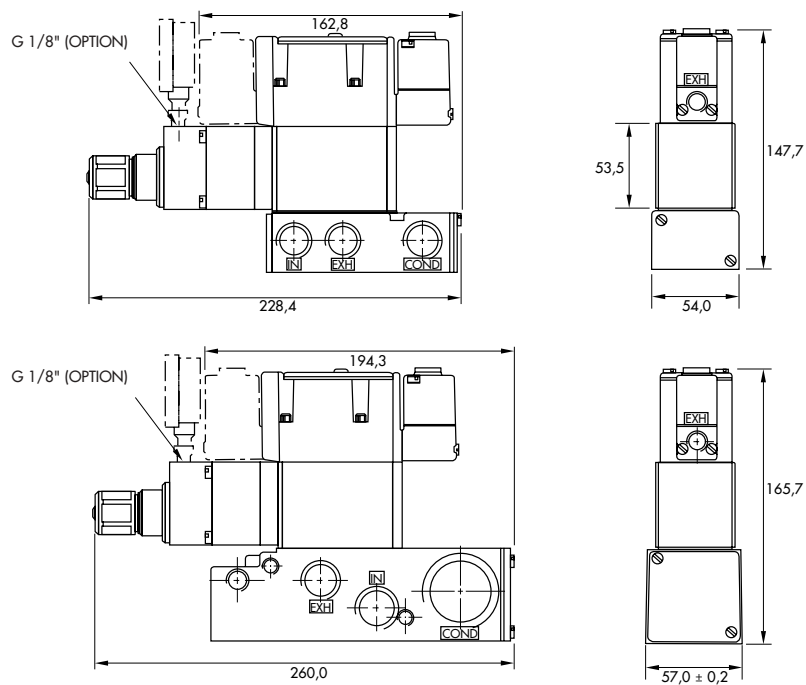
Gauges	Single pressure Regulator B end Same regulated pressure to ports A and B
No gauge	<input type="radio"/> PR62C-31AA
Non filled gauge	<input type="radio"/> PR62C-31FA
Glycerine filled gauge	<input type="radio"/> PR62C-31BA

TECHNICAL DATA

Fluid :	Compressed air, inert gases
Pressure range :	0 to 10 bar
Regulating range :	0.5 to 8.5 bar
Lubrication :	Not required, if used select a medium aniline point lubricant (between 80°C and 100°C)
Filtration :	40 µ
Temperature range :	-18°C to +50°C
Flow (at 6 bar, ΔP=1 bar) :	1250 Nl/min (C _v 1.25)

Spare parts : • Pressure regulator : PR62C-01AA.

DIMENSIONS



Sandwich pressure regulator with manual adjust.

OPERATIONAL BENEFITS

1. Easy mounting : saves on installation costs in comparison with inline regulators.
2. Allows to have compact, all-included units.
3. Large orifice provides high flow.
4. Various functions available.
5. Simple, reliable and solid design.



HOW TO ORDER

Reset

PR63C-xxxx

REGULATORS FOR "PLUG-IN" VALVES

Gauges	Single pressure Regulator A end Same regulated pressure to ports A and B	Single pressure Regulator B end Same regulated pressure to ports A and B	Dual pressure Regulator A end Regulated pressure to port B *	Dual pressure Regulator B end Regulated pressure to port A *	Dual pressure Dual regulator Two regulated pressures to ports A and B *
No gauge	<input type="radio"/> PR63C-22AA	<input type="radio"/> PR63C-21AA	<input type="radio"/> PR63C-24AA	<input type="radio"/> PR63C-23AA	<input type="radio"/> PR63C-25AA
Glycerine filled gauge on regulator	<input type="radio"/> PR63C-22BA	<input type="radio"/> PR63C-21BA	<input type="radio"/> PR63C-24BA	<input type="radio"/> PR63C-23BA	<input type="radio"/> PR63C-25BA
Glycerine filled gauge opposite to regulator	<input type="radio"/> PR63C-22CA	<input type="radio"/> PR63C-21CA	<input type="radio"/> PR63C-24CA	<input type="radio"/> PR63C-23CA	<input type="radio"/> PR63C-25CA
Glycerine filled gauges both ends	-----	-----	<input type="radio"/> PR63C-24DA	<input type="radio"/> PR63C-23DA	<input type="radio"/> PR63C-25DA

REGULATORS FOR "NON PLUG-IN" AND REMOTE AIR VALVES

Gauges	Single pressure Regulator A end Same regulated pressure to ports A and B	Single pressure Regulator B end Same regulated pressure to ports A and B	Dual pressure Regulator A end Regulated pressure to port B *	Dual pressure Regulator B end Regulated pressure to port A *	Dual pressure Dual regulator Two regulated pressures to ports A and B *
No gauge	<input type="radio"/> PR63C-32AA	<input type="radio"/> PR63C-31AA	<input type="radio"/> PR63C-34AA	<input type="radio"/> PR63C-33AA	<input type="radio"/> PR63C-35AA
Glycerine filled gauge on regulator	<input type="radio"/> PR63C-32BA	<input type="radio"/> PR63C-31BA	<input type="radio"/> PR63C-34BA	<input type="radio"/> PR63C-33BA	<input type="radio"/> PR63C-35BA
Glycerine filled gauge opposite to regulator	<input type="radio"/> PR63C-32CA	<input type="radio"/> PR63C-31CA	<input type="radio"/> PR63C-34CA	<input type="radio"/> PR63C-33CA	<input type="radio"/> PR63C-35CA
Glycerine filled gauges both ends	-----	-----	<input type="radio"/> PR63C-34DA	<input type="radio"/> PR63C-33DA	<input type="radio"/> PR63C-35DA

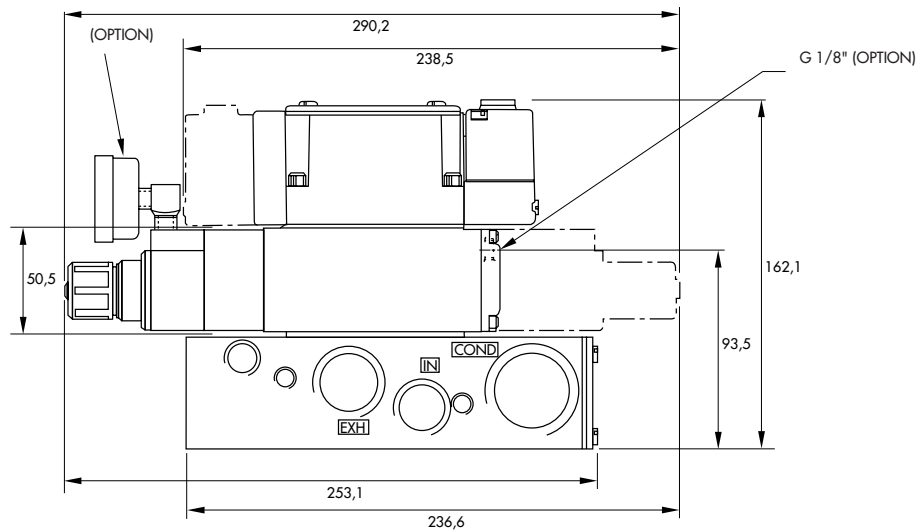
* To be used with dual pressure valves.

TECHNICAL DATA

Fluid :	Compressed air, inert gases
Pressure range :	0 to 10 bar
Regulating range :	0.5 to 8.5 bar
Lubrication :	Not required, if used select a medium aniline point lubricant (between 80°C and 100°C)
Filtration :	40 µ
Temperature range :	-18°C to +50°C
Flow (at 6 bar, ΔP=1 bar) :	2400 Nl/min (C _v 2.4)

Spare parts : • Pressure regulator : PR63C-01AA.

DIMENSIONS



Sandwich pressure regulator with air adjust.

OPERATIONAL BENEFITS

1. Easy mounting : saves on installation costs in comparison with inline regulators.
2. Allows to have compact, all-included units.
3. Large orifice provides high flow.
4. Various functions available.
5. Simple, reliable and solid design.



HOW TO ORDER

Reset

PR63C-xxxx

REGULATORS FOR "PLUG-IN" VALVES

Gauges	Single pressure Regulator A end Same regulated pressure to ports A and B	Single pressure Regulator B end Same regulated pressure to ports A and B	Dual pressure Regulator A end Regulated pressure to port B *	Dual pressure Regulator B end Regulated pressure to port A *	Dual pressure Dual regulator Two regulated pressures to ports A and B *
No gauge	<input type="radio"/> PR63C-2BAA	<input type="radio"/> PR63C-2AAA	<input type="radio"/> PR63C-2DAA	<input type="radio"/> PR63C-2CAA	<input type="radio"/> PR63C-2EAA
Glycerine filled gauge on regulator	<input type="radio"/> PR63C-2BBA	<input type="radio"/> PR63C-2ABA	<input type="radio"/> PR63C-2DBA	<input type="radio"/> PR63C-2CBA	<input type="radio"/> PR63C-2EBA
Glycerine filled gauge opposite to regulator	<input type="radio"/> PR63C-2BCA	<input type="radio"/> PR63C-2ACA	<input type="radio"/> PR63C-2DCA	<input type="radio"/> PR63C-2CCA	<input type="radio"/> PR63C-2ECA
Glycerine filled gauges both ends	-----	-----	<input type="radio"/> PR63C-2DDA	<input type="radio"/> PR63C-2CDA	<input type="radio"/> PR63C-2EDA

REGULATORS FOR "NON PLUG-IN" AND REMOTE AIR VALVES

Gauges	Single pressure Regulator A end Same regulated pressure to ports A and B	Single pressure Regulator B end Same regulated pressure to ports A and B	Dual pressure Regulator A end Regulated pressure to port B *	Dual pressure Regulator B end Regulated pressure to port A *	Dual pressure Dual regulator Two regulated pressures to ports A and B *
No gauge	<input type="radio"/> PR63C-3BAA	<input type="radio"/> PR63C-3AAA	<input type="radio"/> PR63C-3DAA	<input type="radio"/> PR63C-3CAA	<input type="radio"/> PR63C-3EAA
Glycerine filled gauge on regulator	<input type="radio"/> PR63C-3BBA	<input type="radio"/> PR63C-3ABA	<input type="radio"/> PR63C-3DBA	<input type="radio"/> PR63C-3CBA	<input type="radio"/> PR63C-3EBA
Glycerine filled gauge opposite to regulator	<input type="radio"/> PR63C-3BCA	<input type="radio"/> PR63C-3ACA	<input type="radio"/> PR63C-3DCA	<input type="radio"/> PR63C-3CCA	<input type="radio"/> PR63C-3ECA
Glycerine filled gauges both ends	-----	-----	<input type="radio"/> PR63AC-3DDA	<input type="radio"/> PR63C-3CDA	<input type="radio"/> PR63C-3EDA

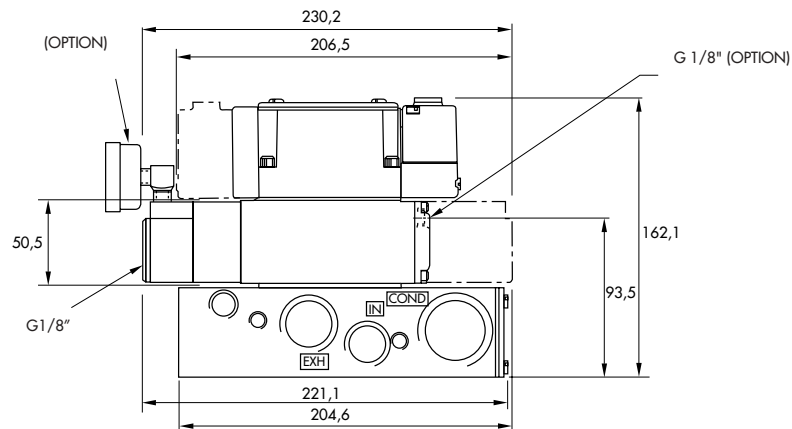
* To be used with dual pressure valves.

**TECHNICAL
DATA**

Fluid :	Compressed air, inert gases
Pressure range :	0 to 10 bar
Regulating range :	0.5 to 8.5 bar
Lubrication :	Not required, if used select a medium aniline point lubricant (between 80°C and 100°C)
Filtration :	40 µ
Temperature range :	-18°C to +50°C
Flow (at 6 bar, ΔP=1 bar) :	2400 NI/min (C _v 2.4)

Spare parts : • Pressure regulator : PR63C-0AAA.

DIMENSIONS



Sandwich pressure regulator with manual adjust.

OPERATIONAL BENEFITS

1. Easy mounting : saves on installation costs in comparison with inline regulators.
2. Allows to have compact, all-included units.
3. Large orifice provides high flow.
4. Various functions available.
5. Simple, reliable and solid design.



HOW TO ORDER

Reset **PR65B-xxxx**

REGULATORS FOR "PLUG-IN" VALVES

Gauges	Single pressure Regulator A end Same regulated pressure to ports A and B	Single pressure Regulator B end Same regulated pressure to ports A and B	Dual pressure Regulator A end Regulated pressure to port B *	Dual pressure Regulator B end Regulated pressure to port A *	Dual pressure Dual regulator Two regulated pressures to ports A and B *
No gauge	<input type="radio"/> PR65B-22AA	<input type="radio"/> PR65B-21AA	<input type="radio"/> PR65B-24AA	<input type="radio"/> PR65B-23AA	<input type="radio"/> PR65B-25AA
Glycerine filled gauge on regulator	<input type="radio"/> PR65B-22BA	<input type="radio"/> PR65B-21BA	<input type="radio"/> PR65B-24BA	<input type="radio"/> PR65B-23BA	<input type="radio"/> PR65B-25BA
Glycerine filled gauge opposite to regulator	<input type="radio"/> PR65B-22CA	<input type="radio"/> PR65B-21CA	<input type="radio"/> PR65B-24CA	<input type="radio"/> PR65B-23CA	<input type="radio"/> PR65B-25CA
Glycerine filled gauges both ends	-----	-----	<input type="radio"/> PR65B-24DA	<input type="radio"/> PR65B-23DA	<input type="radio"/> PR65B-25DA

REGULATORS FOR "NON PLUG-IN" AND REMOTE AIR VALVES

Gauges	Single pressure Regulator A end Same regulated pressure to ports A and B	Single pressure Regulator B end Same regulated pressure to ports A and B	Dual pressure Regulator A end Regulated pressure to port B *	Dual pressure Regulator B end Regulated pressure to port A *	Dual pressure Dual regulator Two regulated pressures to ports A and B *
No gauge	<input type="radio"/> PR65B-32AA	<input type="radio"/> PR65B-31AA	<input type="radio"/> PR65B-34AA	<input type="radio"/> PR65B-33AA	<input type="radio"/> PR65B-35AA
Glycerine filled gauge on regulator	<input type="radio"/> PR65B-32BA	<input type="radio"/> PR65B-31BA	<input type="radio"/> PR65B-34BA	<input type="radio"/> PR65B-33BA	<input type="radio"/> PR65B-35BA
Glycerine filled gauge opposite to regulator	<input type="radio"/> PR65B-32CA	<input type="radio"/> PR65B-31CA	<input type="radio"/> PR65B-34CA	<input type="radio"/> PR65B-33CA	<input type="radio"/> PR65B-35CA
Glycerine filled gauges both ends	-----	-----	<input type="radio"/> PR65B-34DA	<input type="radio"/> PR65B-33DA	<input type="radio"/> PR65B-35DA

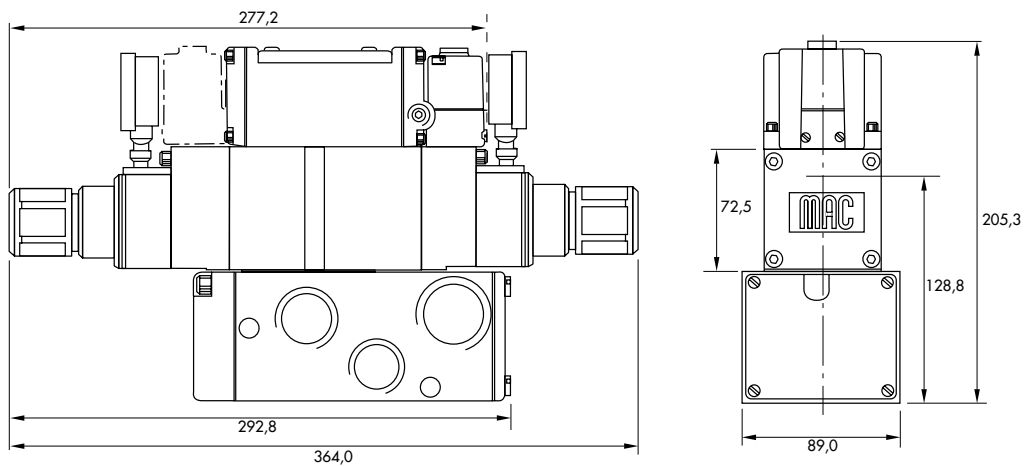
* To be used with dual pressure valves.

**TECHNICAL
DATA**

Fluid :	Compressed air, inert gases
Pressure range :	0 to 10 bar
Regulating range :	0.5 to 8.5 bar
Lubrication :	Not required, if used select a medium aniline point lubricant (between 80°C and 100°C)
Filtration :	40 µ
Temperature range :	-18°C to +50°C
Flow (at 6 bar, ΔP=1 bar) :	4000 Nl/min (C _v 4.0)

Spare parts : • Pressure regulator : PR65B-01AA.

DIMENSIONS



Sandwich pressure regulator with air adjust.

OPERATIONAL BENEFITS

1. Easy mounting : saves on installation costs in comparison with inline regulators.
2. Allows to have compact, all-included units.
3. Large orifice provides high flow.
4. Various functions available.
5. Simple, reliable and solid design.



HOW TO ORDER

Reset

PR65B-xxxx

REGULATORS FOR "PLUG-IN" VALVES

Gauges	Single pressure Regulator A end Same regulated pressure to ports A and B	Single pressure Regulator B end Same regulated pressure to ports A and B	Dual pressure Regulator A end Regulated pressure to port B	Dual pressure Regulator B end Regulated pressure to port A	Dual pressure Dual regulator Two regulated pressures to ports A and B
No gauge	<input type="radio"/> PR65B-2BAA	<input type="radio"/> PR65B-2AAA	<input type="radio"/> PR65B-2DAA	<input type="radio"/> PR65B-2CAA	<input type="radio"/> PR65B-2EAA
Glycerine filled gauge on regulator	<input type="radio"/> PR65B-2BBA	<input type="radio"/> PR65B-2ABA	<input type="radio"/> PR65B-2DBA	<input type="radio"/> PR65B-2CBA	<input type="radio"/> PR65B-2EBA
Glycerine filled gauge opposite to regulator	<input type="radio"/> PR65B-2BCA	<input type="radio"/> PR65B-2ACA	<input type="radio"/> PR65B-2DCA	<input type="radio"/> PR65B-2CCA	<input type="radio"/> PR65B-2ECA
Glycerine filled gauges both ends	-----	-----	<input type="radio"/> PR65B-2DDA	<input type="radio"/> PR65B-2CDA	<input type="radio"/> PR65B-2EDA

REGULATORS FOR "NON PLUG-IN" AND REMOTE AIR VALVES

Gauges	Single pressure Regulator A end Same regulated pressure to ports A and B	Single pressure Regulator B end Same regulated pressure to ports A and B	Dual pressure Regulator A end Regulated pressure to port B	Dual pressure Regulator B end Regulated pressure to port A	Dual pressure Dual regulator Two regulated pressures to ports A and B
No gauge	<input type="radio"/> PR65B-3BAA	<input type="radio"/> PR65B-3AAA	<input type="radio"/> PR65B-3DAA	<input type="radio"/> PR65B-3CAA	<input type="radio"/> PR65B-3EAA
Glycerine filled gauge on regulator	<input type="radio"/> PR65B-3BBA	<input type="radio"/> PR65B-3ABA	<input type="radio"/> PR65B-3DBA	<input type="radio"/> PR65B-3CBA	<input type="radio"/> PR65B-3EBA
Glycerine filled gauge opposite to regulator	<input type="radio"/> PR65B-3BCA	<input type="radio"/> PR65B-3ACA	<input type="radio"/> PR65B-3DCA	<input type="radio"/> PR65B-3CCA	<input type="radio"/> PR65B-3ECA
Glycerine filled gauges both ends	-----	-----	<input type="radio"/> PR65B-3DDA	<input type="radio"/> PR65B-3CDA	<input type="radio"/> PR65B-3EDA

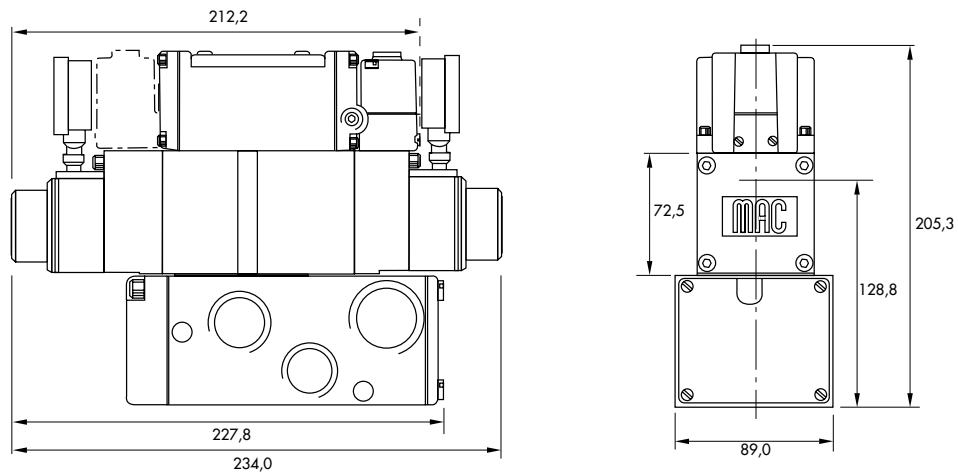
* To be used with dual pressure valves.

**TECHNICAL
DATA**

Fluid :	Compressed air, inert gases
Pressure range :	0 to 10 bar
Regulating range :	0.5 to 8.5 bar
Lubrication :	Not required, if used select a medium aniline point lubricant (between 80°C and 100°C)
Filtration :	40 μ
Temperature range :	-18°C to +50°C
Flow (at 6 bar, $\Delta P=1$ bar) :	4000 Nl/min ($C_v4.0$)

Spare parts : • Pressure regulator : PR65B-0AAA.

DIMENSIONS



Sandwich pressure regulator with manual adjust.

OPERATIONAL BENEFITS

1. Easy mounting : saves on installation costs in comparison with inline regulators.
2. Allows to have compact, all-included units.
3. Large orifice provides high flow.
4. Various functions available.
5. Simple, reliable and solid design.



HOW TO ORDER

Reset

PRA1A-xxxx

REGULATORS FOR INTERNAL PILOT APPLICATIONS

Gauges	Single pressure Regulator 14 end Same regulated pressure to ports 2 and 4	Single pressure Regulator 12 end Same regulated pressure to ports 2 and 4	Dual pressure Regulator 14 end Regulated pressure to port 4 *	Dual pressure Regulator 12 end Regulated pressure to port 2 *	Dual pressure Dual regulator Two regulated pressures to ports 2 and 4 *
No gauge	<input type="radio"/> PRA1A-GAAA	<input type="radio"/> PRA1A-GCAA	<input type="radio"/> PRA1A-GBAA	<input type="radio"/> PRA1A-GDAA	<input type="radio"/> PRA1A-GEAA
Gauge parallel to regulator	<input type="radio"/> PRA1A-GADA	<input type="radio"/> PRA1A-GCDA	<input type="radio"/> PRA1A-GBDA	<input type="radio"/> PRA1A-GDDA	<input type="radio"/> PRA1A-GEDA
Gauge perpendicular to regulator	<input type="radio"/> PRA1A-GABA	<input type="radio"/> PRA1A-GCBA	<input type="radio"/> PRA1A-GBBA	<input type="radio"/> PRA1A-GDBA	<input type="radio"/> PRA1A-GEBA
Two gauges parallel to regulator	----	----	----	----	<input type="radio"/> PRA1A-GEEA
Two gauges perpendicular to regulator	----	----	----	----	<input type="radio"/> PRA1A-GECA

REGULATORS FOR EXTERNAL PILOT AND REMOTE AIR APPLICATIONS

Gauges	Single pressure Regulator 14 end Same regulated pressure to ports 2 and 4	Single pressure Regulator 12 end Same regulated pressure to ports 2 and 4	Dual pressure Regulator 14 end Regulated pressure to port 4 *	Dual pressure Regulator 12 end Regulated pressure to port 2 *	Dual pressure Dual regulator Two regulated pressures to ports 2 and 4 *
No gauge	<input type="radio"/> PRA1A-HAAA	<input type="radio"/> PRA1A-HCAA	<input type="radio"/> PRA1A-HBAA	<input type="radio"/> PRA1A-HDAA	<input type="radio"/> PRA1A-HEAA
Gauge parallel to regulator	<input type="radio"/> PRA1A-HADA	<input type="radio"/> PRA1A-HCDA	<input type="radio"/> PRA1A-HBDA	<input type="radio"/> PRA1A-HDDA	<input type="radio"/> PRA1A-HEDA
Gauge perpendicular to regulator	<input type="radio"/> PRA1A-HABA	<input type="radio"/> PRA1A-HCBA	<input type="radio"/> PRA1A-HBBA	<input type="radio"/> PRA1A-HDBA	<input type="radio"/> PRA1A-HEBA
Two gauges parallel to regulator	----	----	----	----	<input type="radio"/> PRA1A-HEEA
Two gauges perpendicular to regulator	----	----	----	----	<input type="radio"/> PRA1A-HECA

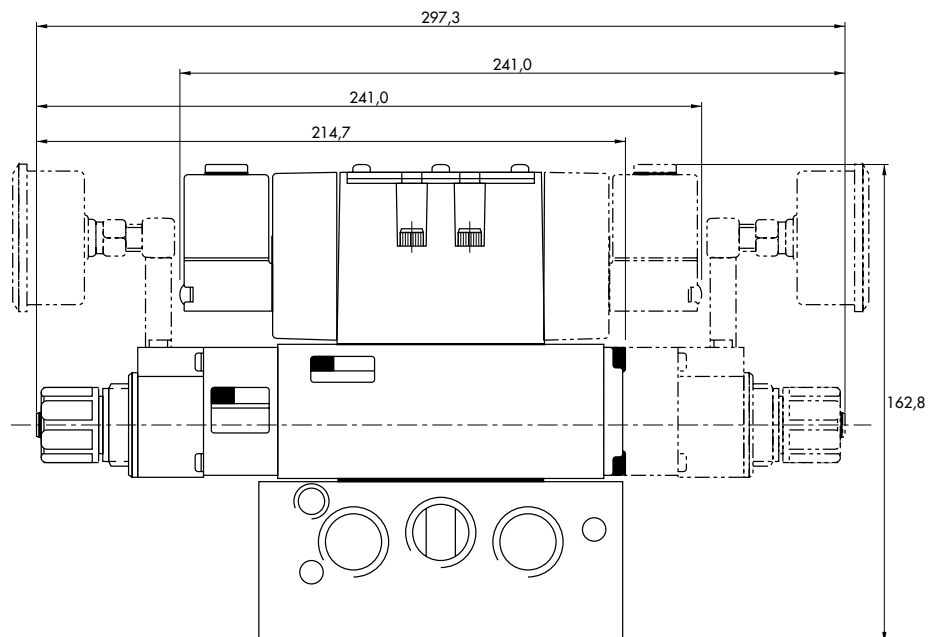
* - To be used with dual pressure valves.
 - Valve code is : MV-A1C-AX5X-PM-XXYZZ

**TECHNICAL
DATA**

Fluid :	Compressed air, inert gases
Pressure range :	0 to 10 bar
Regulating range :	0.5 to 8.5 bar
Lubrication :	Not required, if used select a medium aniline point lubricant (between 80°C and 100°C)
Filtration :	40 µ
Temperature range :	-18°C to +50°C
Flow (at 6 bar, ΔP=1 bar) :	1000 NI/min (C _v 1.0)

Spare parts : • Pressure regulator : PRA1A-JOAA.

DIMENSIONS



Sandwich pressure regulator with air adjust.

OPERATIONAL BENEFITS

1. Easy mounting : saves on installation costs in comparison with inline regulators.
2. Allows to have compact, all-included units.
3. Large orifice provides high flow.
4. Various functions available.
5. Simple, reliable and solid design.



HOW TO ORDER

Reset

PRA1A-xxxx

REGULATORS FOR INTERNAL PILOT APPLICATIONS

Gauges	Single pressure Regulator 14 end Same regulated pressure to ports 2 and 4	Single pressure Regulator 12 end Same regulated pressure to ports 2 and 4	Dual pressure Regulator 14 end Regulated pressure to port 4 *	Dual pressure Regulator 12 end Regulated pressure to port 2 *	Dual pressure Dual regulator Two regulated pressures to ports 2 and 4 *
No gauge	<input type="radio"/> PRA1A-DAAA	<input type="radio"/> PRA1A-DCAA	<input type="radio"/> PRA1A-DBAA	<input type="radio"/> PRA1A-DDAA	<input type="radio"/> PRA1A-DEAA
Gauge parallel to regulator	<input type="radio"/> PRA1A-DADA	<input type="radio"/> PRA1A-DCDA	<input type="radio"/> PRA1A-DBDA	<input type="radio"/> PRA1A-DDDA	<input type="radio"/> PRA1A-DEDA
Gauge perpendicular to regulator	<input type="radio"/> PRA1A-DABA	<input type="radio"/> PRA1A-DCBA	<input type="radio"/> PRA1A-DBBA	<input type="radio"/> PRA1A-DDBA	<input type="radio"/> PRA1A-DEBA
Two gauges parallel to regulator	-----	-----	-----	-----	<input type="radio"/> PRA1A-DEEA
Two gauges perpendicular to regulator	-----	-----	-----	-----	<input type="radio"/> PRA1A-DECA

REGULATORS FOR EXTERNAL PILOT AND REMOTE AIR APPLICATIONS

Gauges	Single pressure Regulator 14 end Same regulated pressure to ports 2 and 4	Single pressure Regulator 12 end Same regulated pressure to ports 2 and 4	Dual pressure Regulator 14 end Regulated pressure to port 4 *	Dual pressure Regulator 12 end Regulated pressure to port 2 *	Dual pressure Dual regulator Two regulated pressures to ports 2 and 4 *
No gauge	<input type="radio"/> PRA1A-EAAA	<input type="radio"/> PRA1A-ECAA	<input type="radio"/> PRA1A-EBAA	<input type="radio"/> PRA1A-EDAA	<input type="radio"/> PRA1A-EEAA
Gauge parallel to regulator	<input type="radio"/> PRA1A-EADA	<input type="radio"/> PRA1A-ECDA	<input type="radio"/> PRA1A-EBDA	<input type="radio"/> PRA1A-EDDA	<input type="radio"/> PRA1A-EEDA
Gauge perpendicular to regulator	<input type="radio"/> PRA1A-EABA	<input type="radio"/> PRA1A-ECBA	<input type="radio"/> PRA1A-EBBA	<input type="radio"/> PRA1A-EDBA	<input type="radio"/> PRA1A-EEBA
Two gauges parallel to regulator	-----	-----	-----	-----	<input type="radio"/> PRA1A-EEEA
Two gauges perpendicular to regulator	-----	-----	-----	-----	<input type="radio"/> PRA1A-HECA

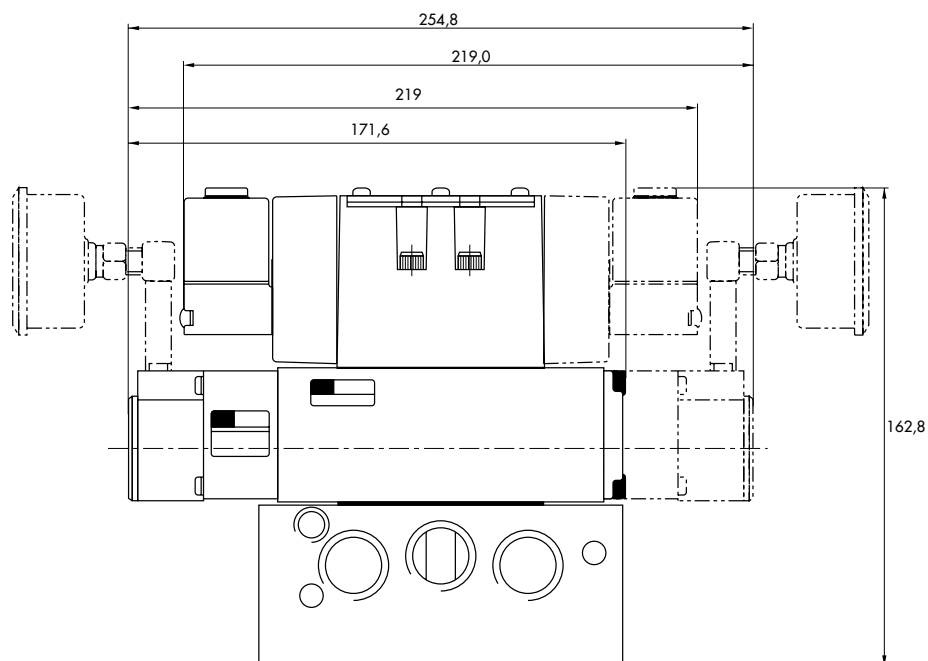
* - To be used with dual pressure valves.
 - Valve code is : MV-A1C-AX5X-PM-XXYZ

**TECHNICAL
DATA**

Fluid :	Compressed air, inert gases
Pressure range :	0 to 10 bar
Regulating range :	0.5 to 8.5 bar
Lubrication :	Not required, if used select a medium aniline point lubricant (between 80°C and 100°C)
Filtration :	40 μ
Temperature range :	-18°C to +50°C
Flow (at 6 bar, $\Delta P=1$ bar) :	1000 NI/min ($C_v 1.0$)

Spare parts : • Pressure regulator : PRA1A-FOAA.

DIMENSIONS



Sandwich pressure regulator with manual adjust.

OPERATIONAL BENEFITS

1. Easy mounting : saves on installation costs in comparison with inline regulators.
2. Allows to have compact, all-included units.
3. Large orifice provides high flow.
4. Various functions available.
5. Simple, reliable and solid design.



HOW TO ORDER

Reset

PRA2C-xxxx

REGULATORS FOR INTERNAL PILOT APPLICATIONS

Gauges	Single pressure Regulator 14 end Same regulated pressure to ports 2 and 4	Single pressure Regulator 12 end Same regulated pressure to ports 2 and 4	Dual pressure Regulator 14 end Regulated pressure to port 4 *	Dual pressure Regulator 12 end Regulated pressure to port 2 *	Dual pressure Dual regulator Two regulated pressures to ports 2 and 4 *
No gauge	<input type="radio"/> PRA2C-1AAA	<input type="radio"/> PRA2C-1EAA	<input type="radio"/> PRA2C-1BAA	<input type="radio"/> PRA2C-1FAA	<input type="radio"/> PRA2C-1JAA
With gauge	<input type="radio"/> PRA2C-1ADA	<input type="radio"/> PRA2C-1EDA	<input type="radio"/> PRA2C-1BDA	<input type="radio"/> PRA2C-1FDA	-----
Two gauges	-----	-----	<input type="radio"/> PRA2C-1BEA	<input type="radio"/> PRA2C-1FEA	<input type="radio"/> PRA2C-1JEA

REGULATORS FOR EXTERNAL PILOT AND REMOTE AIR APPLICATIONS

Gauges	Single pressure Regulator 14 end Same regulated pressure to ports 2 and 4	Single pressure Regulator 12 end Same regulated pressure to ports 2 and 4	Dual pressure Regulator 14 end Regulated pressure to port 4 *	Dual pressure Regulator 12 end Regulated pressure to port 2 *	Dual pressure Dual regulator Two regulated pressures to ports 2 and 4 *
No gauge	<input type="radio"/> PRA2C-2AAA	<input type="radio"/> PRA2C-2EAA	<input type="radio"/> PRA2C-2BAA	<input type="radio"/> PRA2C-2FAA	<input type="radio"/> PRA2C-2JAA
With gauge	<input type="radio"/> PRA2C-2ADA	<input type="radio"/> PRA2C-2EDA	<input type="radio"/> PRA2C-2BDA	<input type="radio"/> PRA2C-2FDA	-----
Two gauges	-----	-----	<input type="radio"/> PRA2C-2BEA	<input type="radio"/> PRA2C-2FEA	<input type="radio"/> PRA2C-2JEA

* - To be used with dual pressure valves.
- Valve code is : MV-A2B-AX5X-PM-XXYYZ

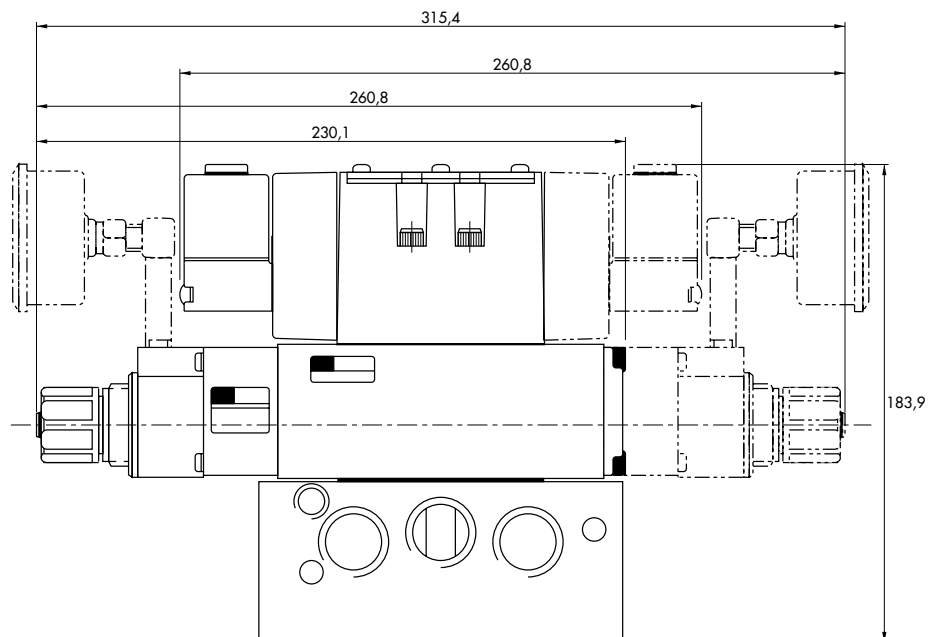
**TECHNICAL
DATA**

Fluid :	Compressed air, inert gases
Pressure range :	0 to 10 bar
Regulating range :	0.5 to 8.5 bar
Lubrication :	Not required, if used select a medium aniline point lubricant (between 80°C and 100°C)
Filtration :	40 μ
Temperature range :	-18°C to +50°C
Flow (at 6 bar, $\Delta P=1$ bar) :	2300 NI/min ($C_v=2.3$)

Spare parts :

- Pressure regulator : PRA2C-30AA.

DIMENSIONS



Sandwich pressure regulator with air adjust.

OPERATIONAL BENEFITS

1. Easy mounting : saves on installation costs in comparison with inline regulators.
2. Allows to have compact, all-included units.
3. Large orifice provides high flow.
4. Various functions available.
5. Simple, reliable and solid design.



HOW TO ORDER

Reset

PRA2C-xxxx

REGULATORS FOR INTERNAL PILOT APPLICATIONS

Gauges	Single pressure Regulator 14 end Same regulated pressure to ports 2 and 4	Single pressure Regulator 12 end Same regulated pressure to ports 2 and 4	Dual pressure Regulator 14 end Regulated pressure to port 4 *	Dual pressure Regulator 12 end Regulated pressure to port 2 *	Dual pressure Dual regulator Two regulated pressures to ports 2 and 4 *
No gauge	<input type="radio"/> PRA2C-4AAA	<input type="radio"/> PRA2C-4EAA	<input type="radio"/> PRA2C-4BAA	<input type="radio"/> PRA2C-4FAA	<input type="radio"/> PRA2C-4JAA
With gauge	<input type="radio"/> PRA2C-4ADA	<input type="radio"/> PRA2C-4EDA	<input type="radio"/> PRA2C-4BDA	<input type="radio"/> PRA2C-4FDA	-----
Two gauges	-----	-----	<input type="radio"/> PRA2C-4BEA	<input type="radio"/> PRA2C-4FEA	<input type="radio"/> PRA2C-4JEA

REGULATORS FOR EXTERNAL PILOT AND REMOTE AIR APPLICATIONS

Gauges	Single pressure Regulator 14 end Same regulated pressure to ports 2 and 4	Single pressure Regulator 12 end Same regulated pressure to ports 2 and 4	Dual pressure Regulator 14 end Regulated pressure to port 4 *	Dual pressure Regulator 12 end Regulated pressure to port 2 *	Dual pressure Dual regulator Two regulated pressures to ports 2 and 4 *
No gauge	<input type="radio"/> PRA2C-5AAA	<input type="radio"/> PRA2C-5EAA	<input type="radio"/> PRA2C-5BAA	<input type="radio"/> PRA2C-5FAA	<input type="radio"/> PRA2C-5JAA
With gauge	<input type="radio"/> PRA2C-5ADA	<input type="radio"/> PRA2C-5EDA	<input type="radio"/> PRA2C-5BDA	<input type="radio"/> PRA2C-5FDA	-----
Two gauges	-----	-----	<input type="radio"/> PRA2C-5BEA	<input type="radio"/> PRA2C-5FEA	<input type="radio"/> PRA2C-5JEA

* - To be used with dual pressure valves.
- Valve code is : MV-A2B-AX5X-PM-XXYYZ

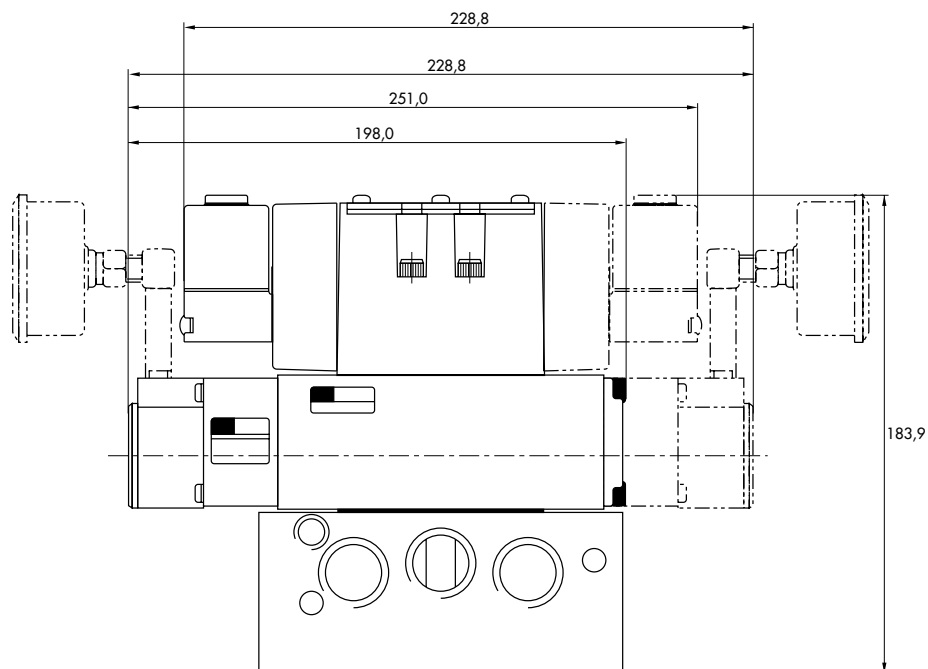
**TECHNICAL
DATA**

Fluid :	Compressed air, inert gases
Pressure range :	0 to 10 bar
Regulating range :	0.5 to 8.5 bar
Lubrication :	Not required, if used select a medium aniline point lubricant (between 80°C and 100°C)
Filtration :	40 μ
Temperature range :	-18°C to +50°C
Flow (at 6 bar, $\Delta P=1$ bar) :	2300 Nl/min ($C_v=2.3$)

Spare parts :

- Pressure regulator : PRA2C-60AA.

DIMENSIONS



Sandwich pressure regulator with manual adjust.

OPERATIONAL BENEFITS

1. Easy mounting : saves on installation costs in comparison with inline regulators.
2. Allows to have compact, all-included units.
3. Large orifice provides high flow.
4. Various functions available.
5. Simple, reliable and solid design.



HOW TO ORDER

Reset

PRA3B-xxxx

REGULATORS FOR INTERNAL PILOT APPLICATIONS

Gauges	Single pressure Regulator 14 end Same regulated pressure to ports 2 and 4	Single pressure Regulator 12 end Same regulated pressure to ports 2 and 4	Dual pressure Regulator 14 end Regulated pressure to port 4 *	Dual pressure Regulator 12 end Regulated pressure to port 2 *	Dual pressure Dual regulator Two regulated pressures to ports 2 and 4 *
No gauge	<input type="radio"/> PRA3B-1AAA	<input type="radio"/> PRA3B-1EAA	<input type="radio"/> PRA3B-1BAA	<input type="radio"/> PRA3B-1FAA	<input type="radio"/> PRA3B-1JAA
With gauge	<input type="radio"/> PRA3B-1ADA	<input type="radio"/> PRA3B-1EDA	<input type="radio"/> PRA3B-1BDA	<input type="radio"/> PRA3B-1FDA	-----
Two gauges	-----	-----	<input type="radio"/> PRA3B-1BEA	<input type="radio"/> PRA3B-1FEA	<input type="radio"/> PRA3B-1JEA

REGULATORS FOR EXTERNAL PILOT AND REMOTE AIR APPLICATIONS

Gauges	Single pressure Regulator 14 end Same regulated pressure to ports 2 and 4	Single pressure Regulator 12 end Same regulated pressure to ports 2 and 4	Dual pressure Regulator 14 end Regulated pressure to port 4 *	Dual pressure Regulator 12 end Regulated pressure to port 2 *	Dual pressure Dual regulator Two regulated pressures to ports 2 and 4 *
No gauge	<input type="radio"/> PRA3B-2AAA	<input type="radio"/> PRA3B-2EAA	<input type="radio"/> PRA3B-2BAA	<input type="radio"/> PRA3B-2FAA	<input type="radio"/> PRA3B-2JAA
With gauge	<input type="radio"/> PRA3B-2ADA	<input type="radio"/> PRA3B-2EDA	<input type="radio"/> PRA3B-2BDA	<input type="radio"/> PRA3B-2FDA	-----
Two gauges	-----	-----	<input type="radio"/> PRA3B-2BEA	<input type="radio"/> PRA3B-2FEA	<input type="radio"/> PRA3B-2JEA

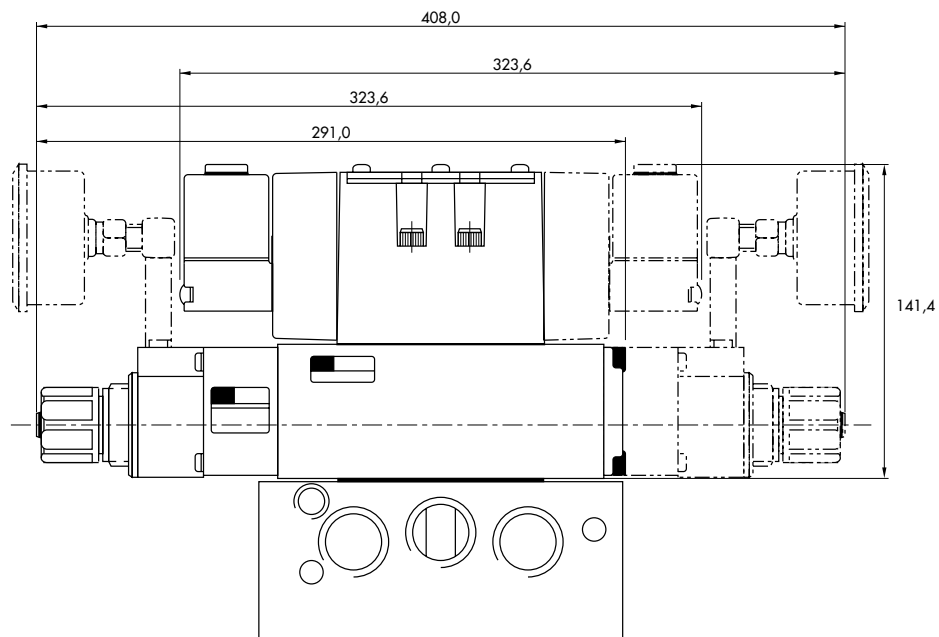
* - To be used with dual pressure valves.
- Valve code is : MV-A3B-AX5X-PM-XXYYZ

**TECHNICAL
DATA**

Fluid :	Compressed air, inert gases
Pressure range :	0 to 10 bar
Regulating range :	0.5 to 8.5 bar
Lubrication :	Not required, if used select a medium aniline point lubricant (between 80°C and 100°C)
Filtration :	40 μ
Temperature range :	-18°C to +50°C
Flow (at 6 bar, $\Delta P=1$ bar) :	5400 NI/min ($C_v=5.4$)

Spare parts : • Pressure regulator : PRA3B-30AA.

DIMENSIONS



Sandwich pressure regulator with air adjust.

OPERATIONAL BENEFITS

1. Easy mounting : saves on installation costs in comparison with inline regulators.
2. Allows to have compact, all-included units.
3. Large orifice provides high flow.
4. Various functions available.
5. Simple, reliable and solid design.



HOW TO ORDER

Reset

PRA3B-xxxx

REGULATORS FOR INTERNAL PILOT APPLICATIONS

Gauges	Single pressure Regulator 14 end Same regulated pressure to ports 2 and 4	Singola pressione. Regolatore lato 12. Regolazione utilizzi 2 e 4	Dual pressure Regulator 14 end Regulated pressure to port 4 *	Dual pressure Regulator 12 end Regulated pressure to port 2 *	Dual pressure Dual regulator Two regulated pressures to ports 2 and 4 *
No gauge	<input type="radio"/> PRA3B-4AAA	<input type="radio"/> PRA3B-4EAA	<input type="radio"/> PRA3B-4BAA	<input type="radio"/> PRA3B-4FAA	<input type="radio"/> PRA3B-4JAA
With gauge	<input type="radio"/> PRA3B-4ADA	<input type="radio"/> PRA3B-4EDA	<input type="radio"/> PRA3B-4BDA	<input type="radio"/> PRA3B-4FDA	-----
Two gauges	-----	-----	<input type="radio"/> PRA3B-4BEA	<input type="radio"/> PRA3B-4FEA	<input type="radio"/> PRA3B-4JEA

REGULATORS FOR EXTERNAL PILOT AND REMOTE AIR APPLICATIONS

Gauges	Single pressure Regulator 14 end Same regulated pressure to ports 2 and 4	Singola pressione. Regolatore lato 12. Regolazione utilizzi 2 e 4	Dual pressure Regulator 14 end Regulated pressure to port 4 *	Dual pressure Regulator 12 end Regulated pressure to port 2 *	Dual pressure Dual regulator Two regulated pressures to ports 2 and 4 *
No gauge	<input type="radio"/> PRA3B-5AAA	<input type="radio"/> PRA3B-5EAA	<input type="radio"/> PRA3B-5BAA	<input type="radio"/> PRA3B-5FAA	<input type="radio"/> PRA3B-5JAA
With gauge	<input type="radio"/> PRA3B-5ADA	<input type="radio"/> PRA3B-5EDA	<input type="radio"/> PRA3B-5BDA	<input type="radio"/> PRA3B-5FDA	-----
Two gauges	-----	-----	<input type="radio"/> PRA3B-5BEA	<input type="radio"/> PRA3B-5FEA	<input type="radio"/> PRA3B-5JEA

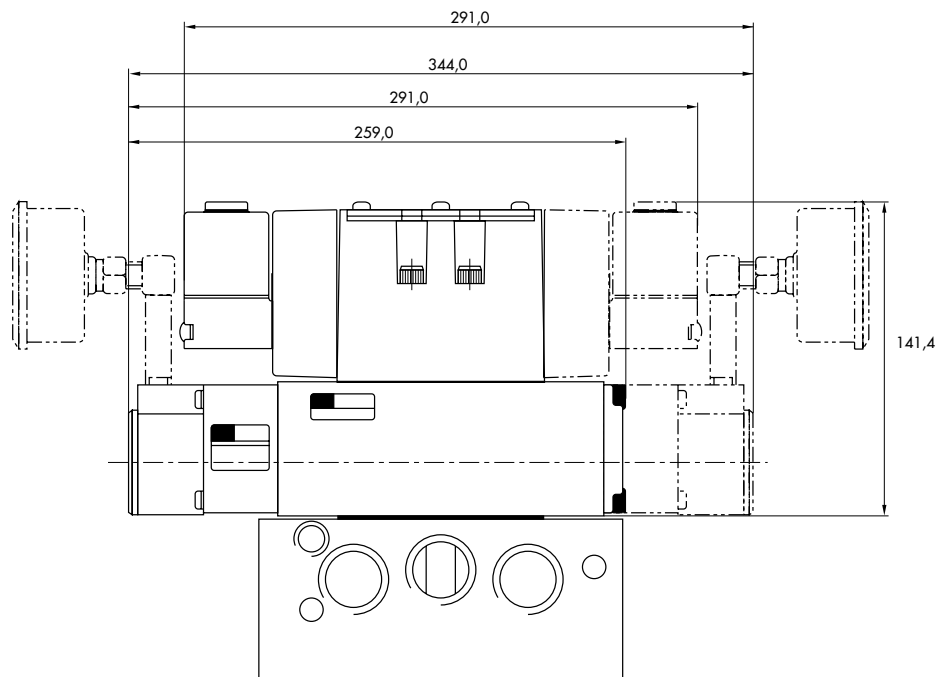
* - To be used with dual pressure valves.
 - Valve code is : MV-A3B-AX5X-PM-XXYYZ

**TECHNICAL
DATA**

Fluid :	Compressed air, inert gases
Pressure range :	0 to 10 bar
Regulating range :	0.5 to 8.5 bar
Lubrication :	Not required, if used select a medium aniline point lubricant (between 80°C and 100°C)
Filtration :	40 µ
Temperature range :	-18°C to +50°C
Flow (at 6 bar, ΔP=1 bar) :	5400 NI/min (C _v 5.4)

Spare parts : • Pressure regulator : PRA3B-60AA.

DIMENSIONS



Pressure control system with analogical command signal.

OPERATIONAL BENEFITS

1. The use of an analogical command signal brings increased accuracy in pressure control.
2. A compact unit gathering all components saves room and installation costs.
3. The analog and logic (TTL) outputs allow for constant pressure monitoring from the control unit.
4. Infinite number of pressures available.



COMPONENTS

The Proportional Multi-Pressure Pak is made of the following components :

- one proportional pressure controller PPC5A for pressure selection.
- one (or more) directional valves to be selected as a function of the flow required.
- one remote air pressure regulator for main pressure control.

FIELDS OF APPLICATION

The Proportional Multi-Pressure Pak is suitable for all applications requiring many different pressures, a continuous pressure control and progressive pressure rise or descent. The numerous possibilities of pressures, flows and pressure ranges makes it easy to find the best appropriate configuration.

This system has proved its abilities in the automotive industry, for the operation of welding grips and robots. Many other applications are fulfilled, like pressure selection for any supply network or machinery, force control in a cylinder, tension control on a drum, painting robots control (combination of high flow and accurate pressure control), ...

OPERATION

PROPORTIONAL PRESSURE CONTROLLER PPC5A

This is the pressure selector of the whole system. Depending on the command signal (0 to 10 V or 4 to 20 mA), the PPC5A will adjust the pressure to the requested value.

REMOTE AIR SANDWICH REGULATOR

The outlet port of the PPC5A gives a pressure signal to the sandwich regulator. This one in turn will regulate the main pressure as a function of the command signal.

DIRECTIONAL VALVE(S)

Depending on the application, one or more directional valves will be used. For instance : a 4/2 valve for the welding control (with the regulated pressure) and another one (with the network pressure) for the command of the robot arm (grip movements).



**TECHNICAL
DATA**

Pressure range :	2 to 8 bar
Output pressure :	Standard : 0.5 to 7 bar, other ranges upon request.

Series	Port size	Flow	Height	Width	Length	Weight
82	G1/4" - G3/8"	900 NI/Min (C _v 0.9)	158,75 mm	190,50 mm	228,60 mm	3,6 kg
6300	G3/8" - G1/2"	2100 NI/Min (C _v 2.1)	165,10 mm	254,00 mm	254,00 mm	5,7 kg
6500	G1/2" - G3/4"	3500 NI/Min (C _v 3.5)	203,20 mm	273,00 mm	254,00 mm	6,8 kg
ISO 1	G1/4" - G3/8"	1100 NI/Min (C _v 1.1)				
ISO 2	G3/8" - G1/2"	2100 NI/Min (C _v 2.1)				
ISO 3	G1/2" - G3/4"	5000 NI/Min (C _v 5.0)				

HOW TO ORDER ?

Please consult factory for the selection of best appropriate PMPP.

Pressure control system with digital command signal.

OPERATIONAL BENEFITS

1. The use of a digital command signal brings easy installation and use.
2. A compact unit gathering all components saves room and installation costs.
3. This system is the alternative to proportional valves, if no more than six different pressures are required.



COMPONENTS

The Multi-Pressure Pak is made of the following components :

- one 35 Series manifold for the pressure selection.
- one (or more) directional valves to be selected as a function of the flow required.
- one remote air pressure regulator for main pressure control.

FIELDS OF APPLICATION

The Multi-Pressure Pak is suitable for all applications requiring up to six different pre-determined pressures (no progressive pressure rise or descent). The numerous possibilities of pressures, flows and pressure ranges makes it easy to find the best appropriate configuration.

This system has proved its abilities in the automotive industry, for the operation of welding grips and robots. Many other applications are fulfilled, like pressure selection for any supply network or machinery, force control in a cylinder, ...

OPERATION

35 SERIES MANIFOLD

This is the pressure selector of the whole system. Each valve is fitted out with one individual pressure regulator and they are cascade - connected to a single common outlet. When energized, the pressure signal will correspond to the individual pre-determined pressure.

REMOTE AIR SANDWICH REGULATOR

The common outlet port of the 35 Series manifold gives a pressure signal to the sandwich regulator. This one in turn will regulate the main pressure as a function of the command signal.

DIRECTIONAL VALVE(S)

Depending on the application, one or more directional valves will be used. For instance :
a 4/2 valve for the welding control (with the regulated pressure) and another one (with the network pressure) for the command of the robot arm (grip movements).



**TECHNICAL
DATA**

Pressure range :	2 to 8 bar
Output pressure :	Standard : 0.5 to 7 bar, other ranges upon request.

Series	Port size	Flow	Height	Width	Length	Weight
82	G1/4" - G3/8"	900 NI/Min (C _v 0.9)	158,75 mm	190,50 mm	228,60 mm	3,6 kg
6300	G3/8" - G1/2"	2100 NI/Min (C _v 2.1)	165,10 mm	254,00 mm	254,00 mm	5,7 kg
6500	G1/2" - G3/4"	3500 NI/Min (C _v 3.5)	203,20 mm	273,00 mm	254,00 mm	6,8 kg
ISO 1	G1/4" - G3/8"	1100 NI/Min (C _v 1.1)				
ISO 2	G3/8" - G1/2"	2100 NI/Min (C _v 2.1)				
ISO 3	G1/2" - G3/4"	5000 NI/Min (C _v 5.0)				

HOW TO ORDER ?

Please consult factory for the selection of best appropriate MPP.

Proportional pressure controller.

OPERATIONAL BENEFITS

1. Reliable operation, using two MAC 34 Series with balanced poppet.
2. Low power consumption.
3. Rugged enclosure.
4. Not affected by vibrations.
5. Accuracy : $\pm 1.5\%$ full scale or $\pm 0.5\%$ (upon request).
6. Can be stand alone or used in combination with our remote air sandwich regulators.
7. Analog command signal and output.
8. No hysteresis (compensated).



HOW TO ORDER

Reset

PPC5A-ABA-xxxx-xxx-xx

PPC5A-ABA-AGAB-XXX-**ZZ***

Pressure range	Command signal	Standard	Analog and logic outputs
0 - 7 bar	0 - 10 V	<input type="radio"/> PPC5A-ABA-AGAB-BAA- ZZ	<input type="radio"/> PPC5A-ABA-AGAB-BBB- YY
	4 - 20 mA	<input type="radio"/> PPC5A-ABA-AGAB-DAA- ZZ	<input type="radio"/> PPC5A-ABA-AGAB-DBB- YY
0 - 4 bar	0 - 10 V	<input type="radio"/> PPC5A-ABA-BGAB-BAA- ZZ	<input type="radio"/> PPC5A-ABA-BGAB-BBB- YY
	4 - 20 mA	<input type="radio"/> PPC5A-ABA-BGAB-DAA- ZZ	<input type="radio"/> PPC5A-ABA-BGAB-DBB- YY
0 - 2 bar	0 - 10 V	<input type="radio"/> PPC5A-ABA-CGAB-BAA- ZZ	<input type="radio"/> PPC5A-ABA-CGAB-BBB- YY
	4 - 20 mA	<input type="radio"/> PPC5A-ABA-CGAB-DAA- ZZ	<input type="radio"/> PPC5A-ABA-CGAB-DBB- YY

Connector/ Wire length	1 m ZZ	2 m ZZ	4 m ZZ
MINI 4 PIN	<input type="radio"/> BB	<input type="radio"/> BD	<input type="radio"/> BE
MICRO 4 PIN	<input type="radio"/> EB	<input type="radio"/> ED	<input type="radio"/> EE
Flying leads (4 flying leads)	<input type="radio"/> HB	<input type="radio"/> HD	<input type="radio"/> HE

Connector/ Wire length	1 m YY	2 m YY	4 m YY
MINI 6 PIN	<input type="radio"/> CB	<input type="radio"/> CD	<input type="radio"/> CE
MICRO 6 PIN	<input type="radio"/> FB	<input type="radio"/> FD	<input type="radio"/> FE
Flying leads (6 flying leads)	<input type="radio"/> JB	<input type="radio"/> JD	<input type="radio"/> JE

* Other options available. Consult factory.

OPTIONS

PPC5A-ABA-AGAB-BAA-**ZZ**

L - B: external sense.

**TECHNICAL
DATA**

GENERAL DATA

Ambient temperature :	0 to 50°C
LED indicators :	Red : power on Green : pressure achieved
Enclosure :	Aluminium
Port size :	G 1/8", 1/8" NPT Option : bottom ports
Protection :	IP 54

PNEUMATICAL DATA

Flow :	40 NI/min (C _v 0.04), 80 NI/min (C _v 0.08)
Fluid :	Compressed air, inert gases
Pressure range :	1 to 8 bar
Output pressure :	0 to 7 bar, 0 to 4 bar, 0 to 2 bar
Accuracy :	± 1,5 % full scale or ± 0.5 % if requested
Hysteresis :	none (compensated)
Linearity :	~ 0,75 %
Repeatability :	~ 0,75 %
Leak rate :	25 cm ³ /min

ELECTRICAL DATA

Supply voltage :	18 to 28 V=
Supply current :	50 to 275 mA
Command signal :	0 - 10 V, differential 4-20 mA, differential
Impedance :	4,99 kΩ ± 1% (0-10 V) 312 Ω ± 0,1 % (4-20 mA)
Analog output :	0 - 10 V
TTL output (NPN) :	0-5 V (Low = pressure achieved)

DIMENSIONI

