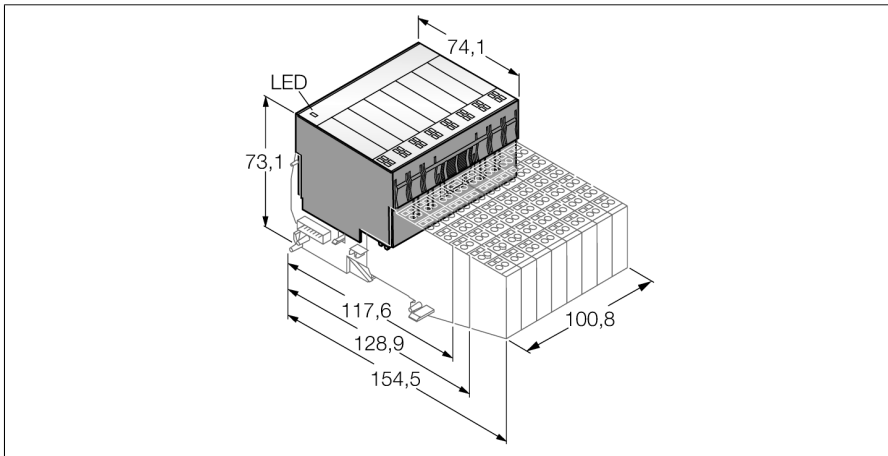


**BL20 electronic module**  
**32 Digital Outputs**  
**BL20-32DO-24VDC-0.5A-P**



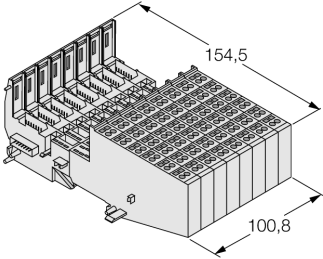
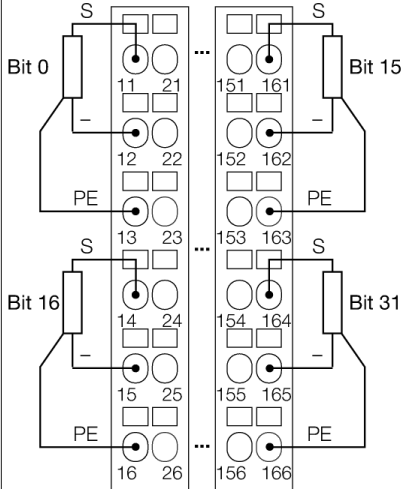
**Functional principle**

BL20 electronic modules are plugged into the purely passive base modules which are used for connection of field devices. Maintenance is significantly facilitated due to separation of the connection level from the module electronics. Furthermore flexibility is enhanced because the base modules provide a choice of tension spring or screw connection technology. The electronic modules are completely independent of the type of higher level field bus through the use of gateways.

<b>Type designation</b>	BL20-32DO-24VDC-0.5A-P
Ident-No.	6827220
<b>Number of channels</b>	32
Rated voltage from the supply terminal	24 VDC
Nominal current from field supply	≤ 50 mA
Nominal current from module bus	≤ 120 mA
Power dissipation, typical	≤ 4 W
<b>Output connectivity</b>	Screw, tension spring
<b>Outputs</b>	
Output type	pnp
Output voltage	24 VDC
Output current per channel	0.5 A
Output delay	0.3 ms
Load type	resistive, inductive, lamp load
Load resistance, resistive	> 48 Ω
Load resistance, inductive	< 1.2 H
Lamp load	< 6 W
Switching frequency, resistive	< 100 Hz
Short-circuit protection	yes
Simultaneity factor	1
Electrical isolation	electronics for the field level
<b>Number of diagnostic bits</b>	8
<b>Dimensions (W x L x H)</b>	100.8 x 74.1 x 55.4mm
Approvals	CE, cULus, zone 2, Class I, Div. 2
Operating temperature	0 to +55 °C
Storage temperature	-25...+85 °C
Relative humidity	5 to 95% (internal), Level RH-2, no condensation (at 45 °C storage)
Vibration test	acc. to EN 61131
Shock test	acc. to IEC 68-2-27
Drop and topple	acc. to IEC 68-2-31 and free fall to IEC 68-2-32
Electromagnetic compatibility	acc. to EN 50,082-2
Protection class	IP20

**BL20 electronic module**  
**32 Digital Outputs**  
**BL20-32DO-24VDC-0.5A-P**

**Compatible base modules**

Dimension drawing	Type	Pin configuration
 <p>154,5 100,8</p>	<p><b>BL20-B6T-SBCSBC</b> 6827218 Tension spring connection, access to C rail</p> <p><b>BL20-B6S-SBCSBC</b> 6827219 Screw connection, access to C rail</p>	<p>Wiring Diagram</p>  <p>Bit 0 ... Bit 15 Bit 16 ... Bit 31</p> <p>S, PE, 11-21, 12-22, 13-23, 14-24, 15-25, 16-26, 151-161, 152-162, 153-163, 154-164, 155-165, 156-166</p>