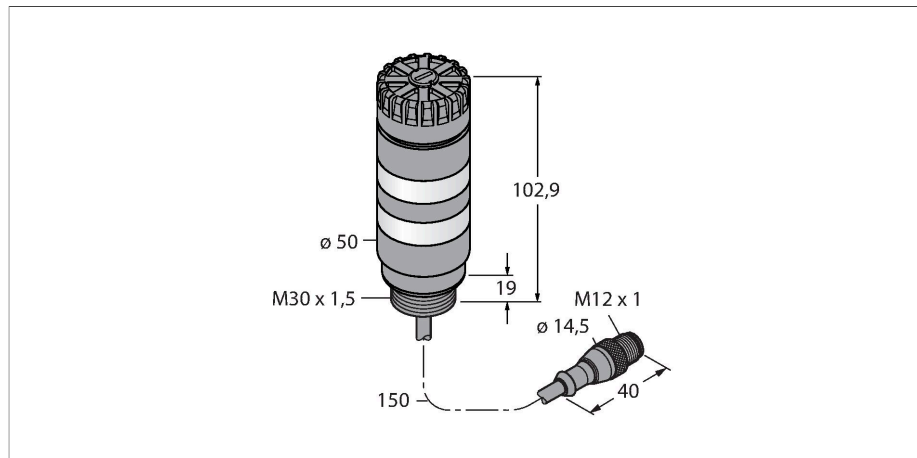


# TL50BLY2R2AQP

## LED Indicator – Tower Light



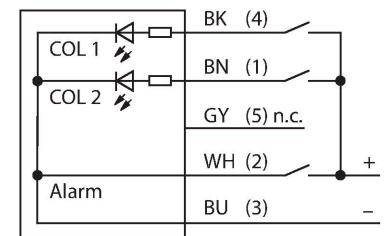
### Technical data

Type	TL50BLY2R2AQP
ID	3026995
<b>Signal and display data</b>	
Purpose	LED indicator light
Function	Tower light
Light type	Yellow, flashing Red, flashing
Dimmable	no
Features of color 1	Yellow, Flashing, 15 lm
Features of color 2	Red, Flashing, 24 lm
acoustic signal	Continuous tone, 92 dB
<b>Electrical data</b>	
Operating voltage	12...30 VDC
DC rated operational current	≤ 125 mA
Operating voltage	21...27 VAC
AC rated operational current	≤ 100 mA
Max. current consumption per color	125 mA
Max. current consumption of beeper	25 mA
Input type	Bipolar (PNP/NPN)
Response time typical	< 1 ms
<b>Mechanical data</b>	
Cascadable	No
Design	Smooth barrel, TL50BL
Dimensions	Ø 50 x 121.9 x 121.9 mm
Housing material	Plastic, ABS, Black
Window material	Polycarbonate, clear

### Features

- Plastic housing, black
- Protection class IP50
- EMI and RFI immune
- Colors: Yellow flashing (COL 1) / Red flashing (COL 2)
- Operating voltage: 12...30 VDC or 24 VAC with 45 mA per LED color
- Inputs: PNP/NPN
- Beeper max. 92 dB

### Wiring diagram



### Functional principle

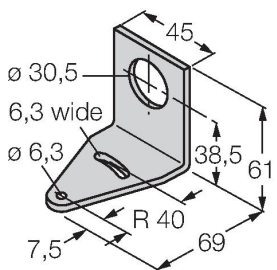
The rugged multifunction TL50 beacon is available in many variations and is easily mounted. Each signal tower can be assembled from a maximum of four varicolored LEDs, with or without a beeper. You can also choose from three different lighting functions (steady, rotating, flashing). The lighting function is indicated in the type code after the color (no number: steady; 1: rotating; 2: flashing). Clearly visible status displays for indoor and outdoor applications. The wiring diagram shows a PNP pin assignment. 5 colors are available, blue (B), green (G), red (R), yellow (Y) and white (W), which specify the light sequence from bottom to top in the type designation of the tower light. Example: TL50GYRQ, designates the colors green, yellow and red from bottom to top.

## Technical data

Electrical connection	Cable with connector, M12 × 1, 0.15 m, PVC
Number of cores	4
Ambient temperature	-20...+50 °C
Relative humidity	0...95 %
Protection class	IP50
<b>Tests/approvals</b>	
Approvals	CE, UL listed

## Accessories

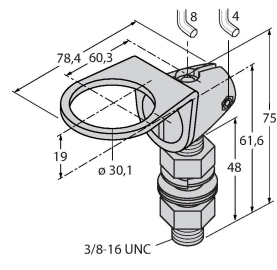
**SMB30A** 3032723



Mounting bracket, rectangular, stainless steel, for sensors with 30mm thread

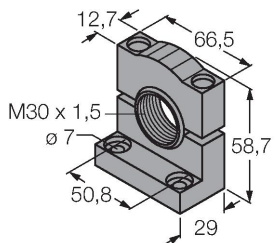
Dimensions: 45, 6.3 wide, 38.5, 61, 69, 7.5, R 40, 30.5, 6.3, 19, 8, 4, 75, 61.6, 48, 3/8-16 UNC, 30.1

**SMB30FA** 3074005



Montagewinkel; Werkstoff VA 1.4401

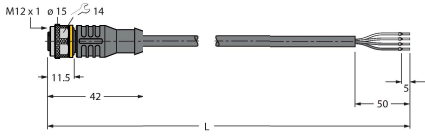
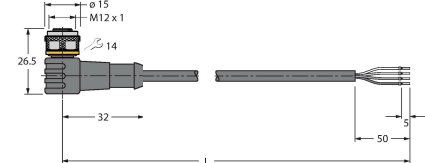
**SMB30SC** 3052521



Mounting bracket, PBT black, for sensors with 30 mm thread, rotatable

Dimensions: 12.7, 66.5, 58.7, 29, 50.8, 7, M30 x 1.5

## Accessories

Dimension drawing	Type	ID	
	RKC4.4T-2/TEL	6625013	Connection cable, female M12, straight, 4-pin, cable length: 2 m, sheath material: PVC, black; cULus approval; other cable lengths and qualities available, see <a href="http://www.turck.com">www.turck.com</a>
	WKC4.4T-2/TEL	6625025	Connection cable, female M12, angled, 4-pin, cable length: 2 m, sheath material: PVC, black; cULus approval; other cable lengths and qualities available, see <a href="http://www.turck.com">www.turck.com</a>