

# LIMIT SWITCH

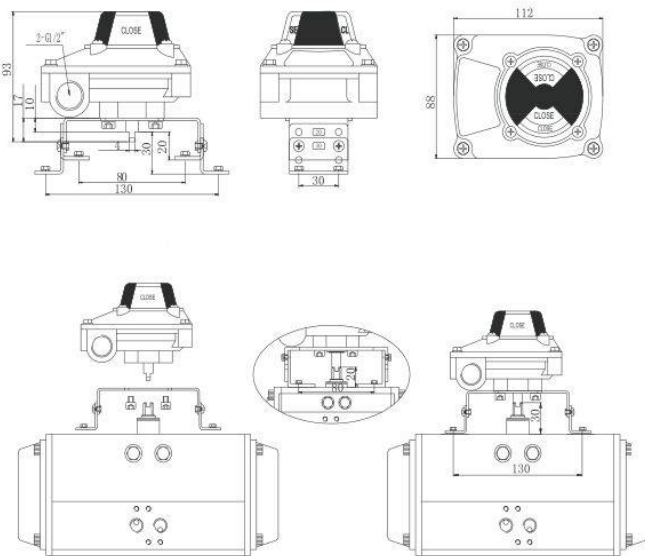
## LSM-200



LSM-200, the protective limit switch is a compact, economic and reliable product, which can realize spot visualization and distant indication. Besides, it can build in various kinds of switches, and then can be used under rough working environment like in high temperature or low temperature etc.

Certificated by CSA, NEMA4, NEMA4X, IP67, etc.

### 外形尺寸



### 产品结构



### How to order

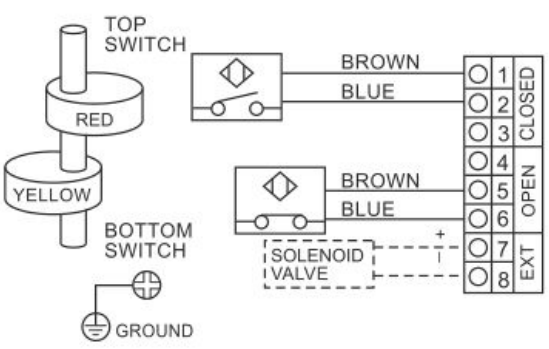
| Optional prefix                 | Model                                 | Switch   | Terminal block | Extra connection port | Indicator                                      | NAMUR Mounting(Carbon steel) |
|---------------------------------|---------------------------------------|--|----------------|-----------------------|--|------------------------------|
| -Double axis 1/4" particle flat | LSM-200                               | Mechanical switch(passive)   | 2-G1/2"        | 2                     | 1.Aluminum plate type (120 ° high temperature) | MB1.0 30*80 H:20             |
| -NAMUR axis                     | Certificated by IP67 NEMA4 NEMA4X CSA | M2:2SPDT two-position control<br>M5:2DPDT double position control<br>MG2:2SPDT gold-plated | 2-1/2"NPT      | 4                     | 2.Dome 90 ° indicator                          | MB1.0 30*80 H:20             |

|                    |  |   |           |   |                                 |   |
|--------------------|--|---|-----------|---|---------------------------------|---|
|                    |  | contacts  |           |   |                                 |   |
| -Polyester coating |  | Electric proximity sensors(active)                                  | 2-M20*1.5 | 6 | 3.Flat 90 ° indicator           | MB1.1 30*130 H:30-50                              |
| -Ni-P coating      |  | PP:P&F(NAMUR)<br>Exial ICT6<br>PA: Electric proximity sensors(2or3) | 2-M16*1.5 |   | 4. Flat 30 ° indicator          | MB2.3 30*80(130)<br>H:20-30                       |
|                    |  | Magnetic proximity sensors  |           |   | 5.Flat 45 ° indicator           | Optional stainless steel mounting (SS304 orSS316) |
|                    |  | QA: Magnetic proximity sensors(2or3)<br>SPST or SPDT                |           |   | 6.Flat 60 ° indicator           |   |
|                    |  |   |           |   | 7.Flat 120 ° indicator          |   |
|                    |  |   |           |   | 8. 3 way L-port, T-port         |   |
|                    |  |   |           |   | 9.Reverse Red-open Yellow-close |   |

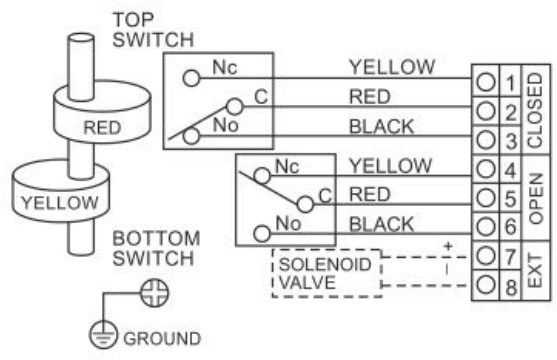
# LIMIT SWITCH

## Wire diagram

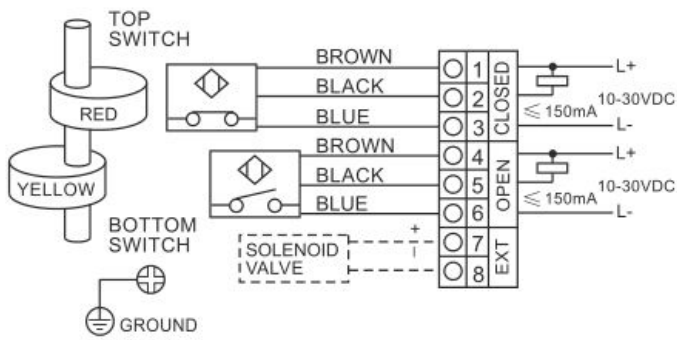
LSM200/300/400  
NC(2-Wire)电感



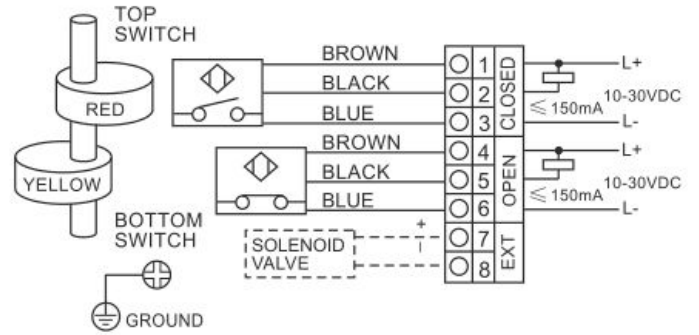
LSM200/300/400  
NC(3-Wire)磁感



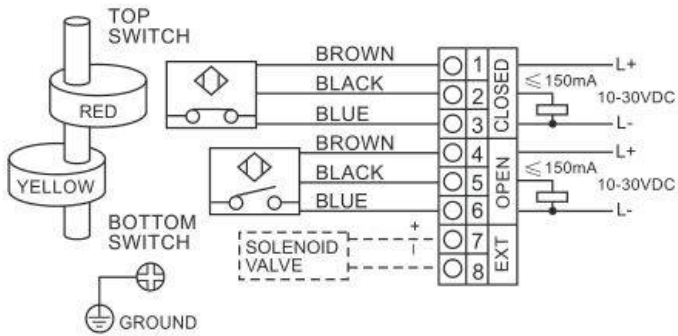
LSM200/300/400  
NPN NO(3-Wire)电感



LSM200/300/400  
NPN NC(3-Wire)电感



LSM200/300/400  
PNP NO(3-Wire)电感



LSM200/300/400  
PNP NC(3-Wire)电感

